

[54] TELESCOPE

[75] Inventor: Claus O. Huckenbeck, Bear Valley, Calif.

[73] Assignee: Bausch & Lomb Incorporated, Rochester, N.Y.

[**] Term: 14 Years

[21] Appl. No.: 567,901

[22] Filed: Jan. 3, 1984

[52] U.S. Cl. D16/132

[58] Field of Search D16/130, 131, 132; 350/562-569

[56] References Cited

U.S. PATENT DOCUMENTS

D. 253,476	11/1979	Schneck et al.	D16/132
2,693,032	11/1954	Braymer	350/567 X
4,400,066	8/1983	Byers	350/568

OTHER PUBLICATIONS

Industrial Design, May 1963, p. 91, Questar's Cassegranian System Telescope/Opt. Inst. Publ. Boxes.

Best Products Cat. 1983/84, p. 442; Bausch & Lomb "Criterion 4000" Observatory Telescope. Introducing Dynamax 4, published by Bushnell. Introducing Bausch & Lomb "Criterion 4000" Observatory Telescope System, published by Bushnell, 9/82.

Primary Examiner—Susan J. Lucas
Assistant Examiner—C. E. Heflin
Attorney, Agent, or Firm—DeWitt M. Morgan; John S. Norton

[57] CLAIM

The ornamental design for a telescope, substantially as shown and described.

DESCRIPTION

FIG. 1 is a perspective view of the telescope showing my new design;
FIG. 2 is a right side elevational view thereof;
FIG. 3 is a left side elevational view thereof;
FIG. 4 is a front elevational view thereof;
FIG. 5 is a rear elevational view; and
FIG. 6 is a top plan view thereof.
The eyepiece in FIGS. 2, 3 and 5 is shown in broken lines for illustrative purposes only and forms no part of the claimed design.

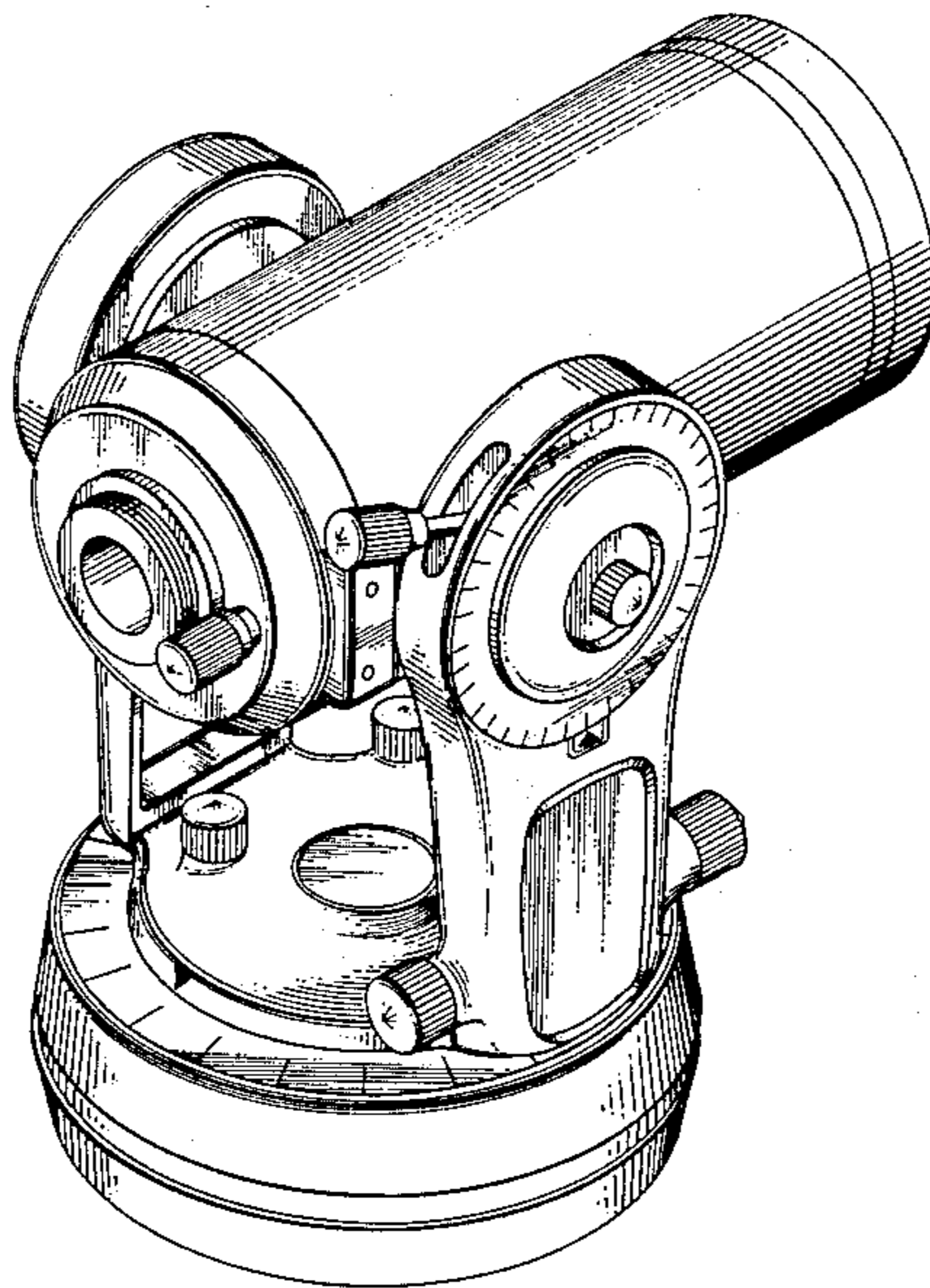


Fig. 1

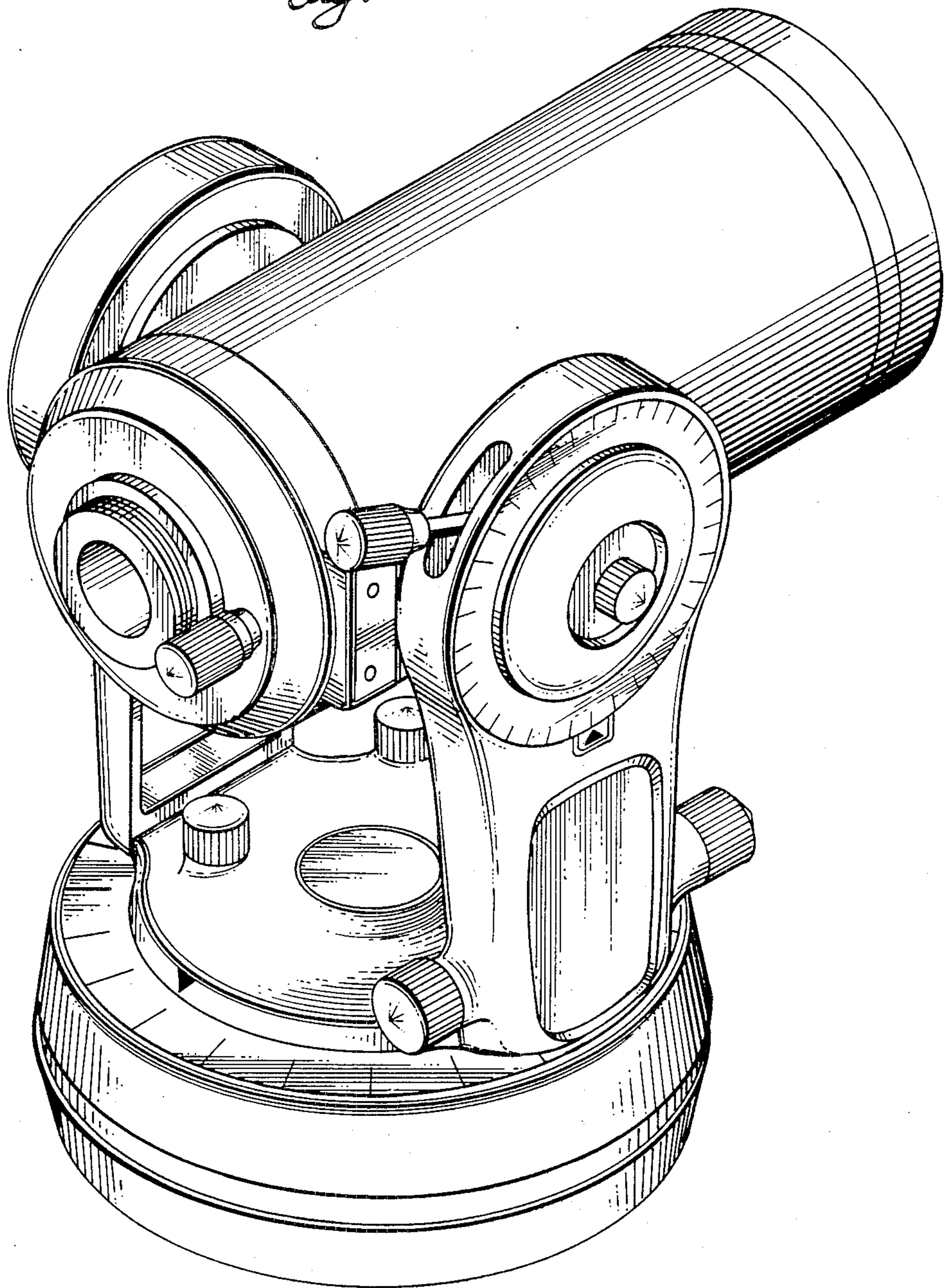


Fig. 2

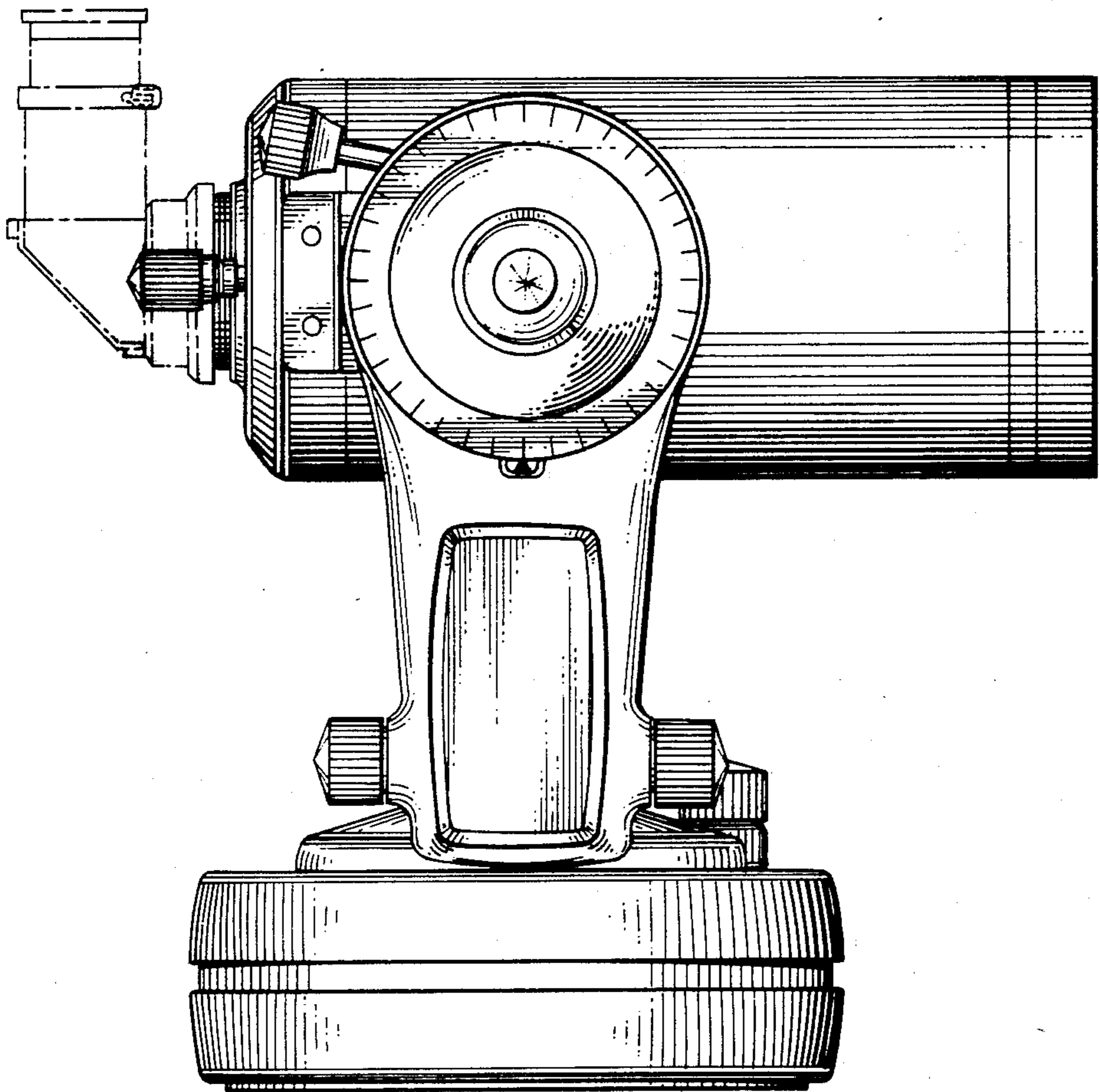


Fig. 3

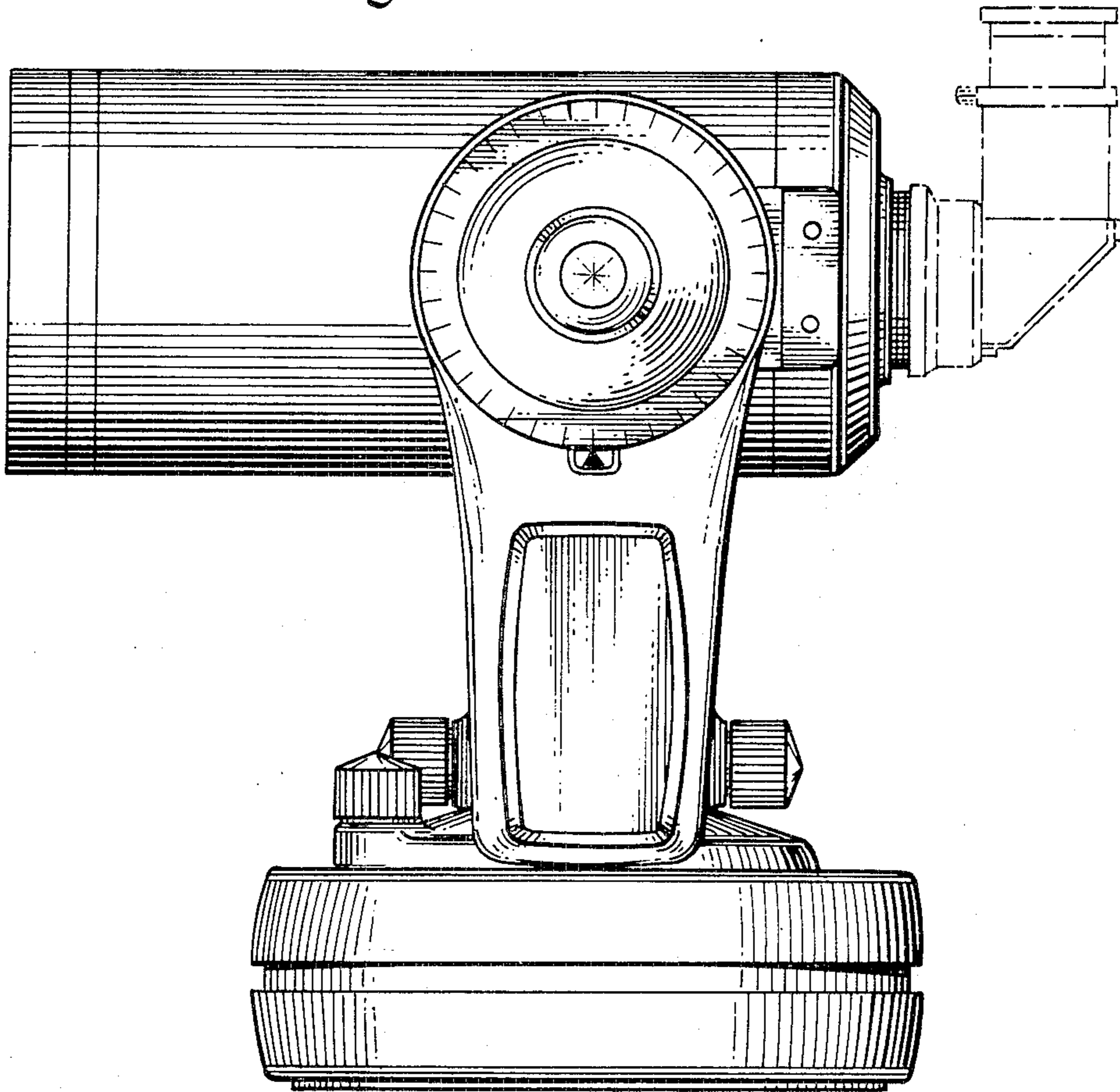


Fig. 4

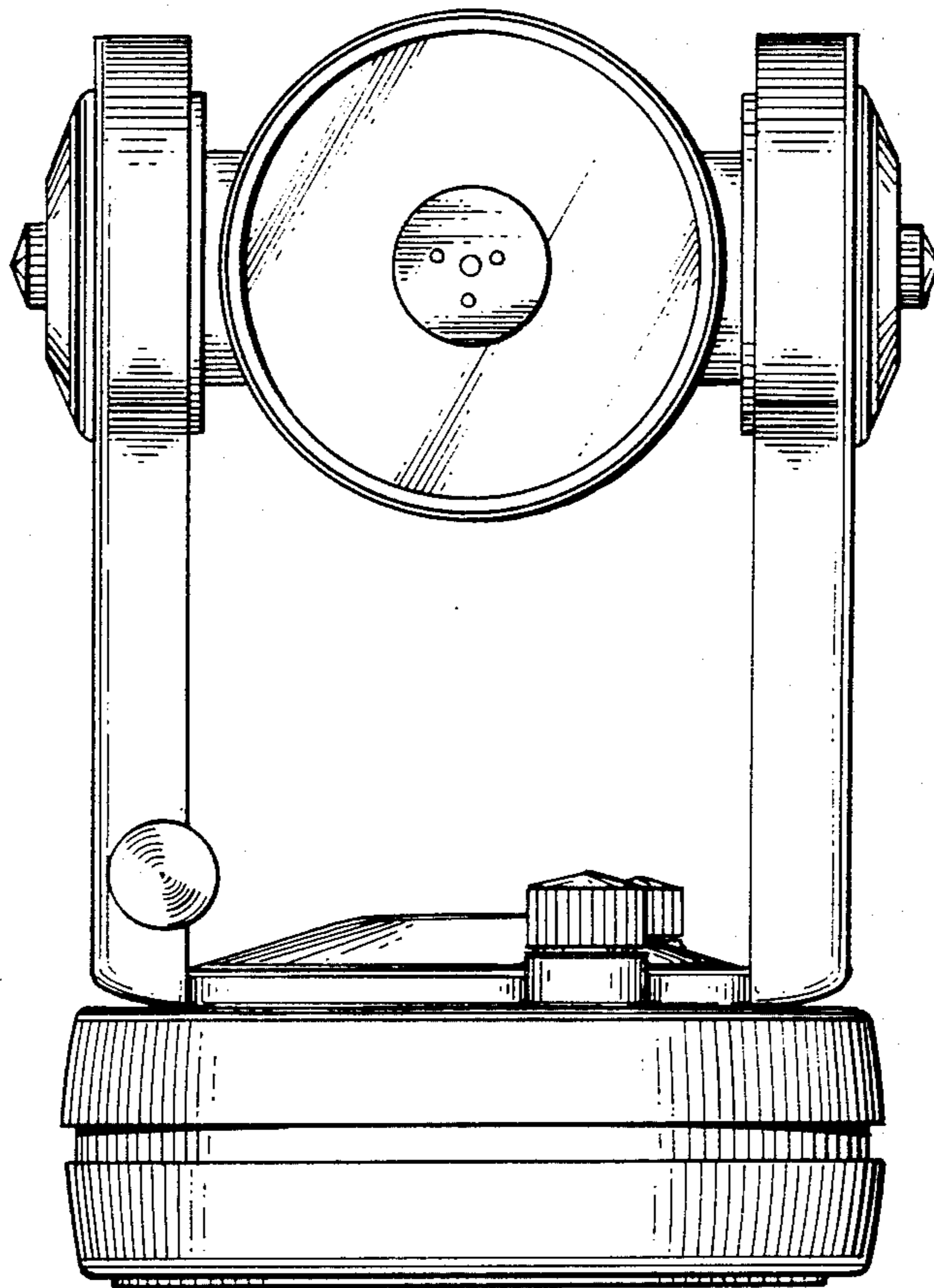


Fig. 5

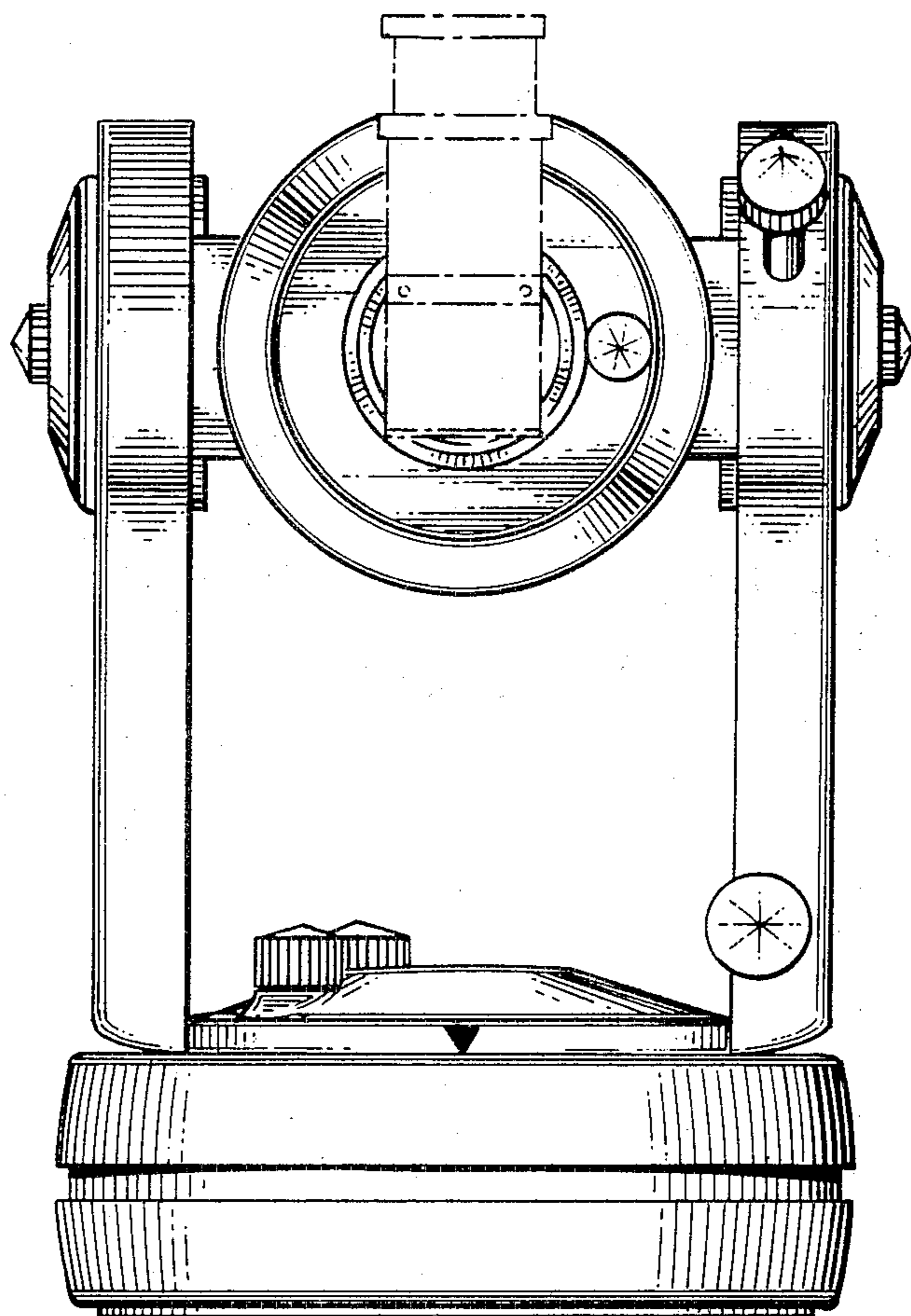


Fig. 6

