

[54] **COMBINED HEAT SEALING MACHINE AND TRIMMER**

[75] **Inventor: Richard J. Coleby, Frimley, Near Camberley, England**

[73] **Assignee: The Thames Sack and Bag Company Limited, London, England**

[**] **Term: 14 Years**

[21] **Appl. No.: 606,701**

[22] **Filed: May 3, 1984**

[30] **Foreign Application Priority Data**

Nov. 7, 1983 [GB] United Kingdom 1016135
[52] **U.S. Cl.** **D15/146; D15/127**
[58] **Field of Search** **D15/146, 127; 156/510, 156/515, 583.1, 583.2, 583.5, 583.9**

[56] **References Cited**

U.S. PATENT DOCUMENTS

D. 244,759 6/1977 Kindred D15/146
3,484,324 12/1969 Führ 156/583.9

3,764,434 10/1973 Bridenstine 156/583.9
4,010,063 3/1977 Natter 156/583.2
4,289,566 9/1981 Feil 156/583.1
4,378,266 3/1983 Gerken 156/583.9
4,537,585 8/1985 Norman 156/583.5

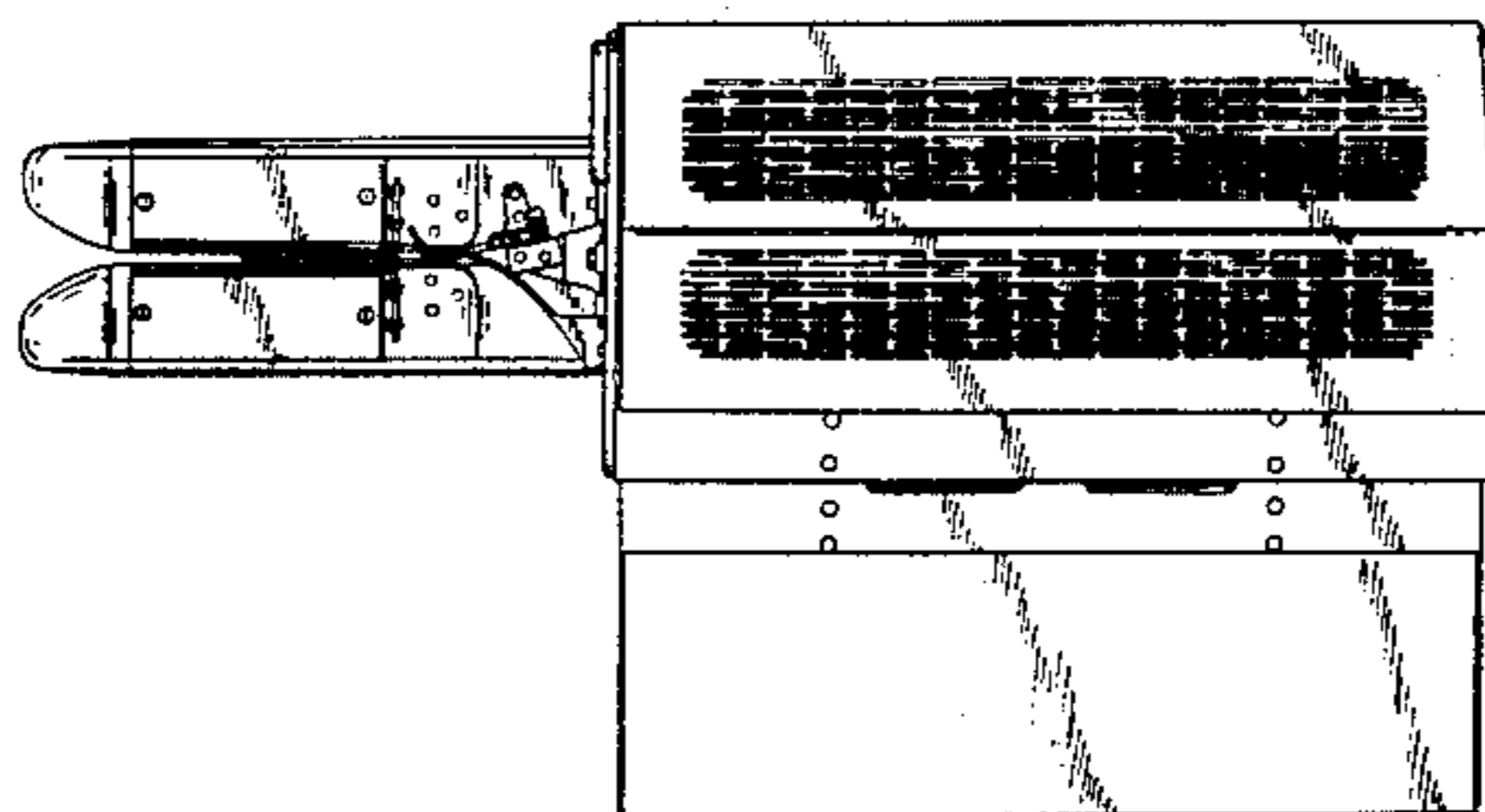
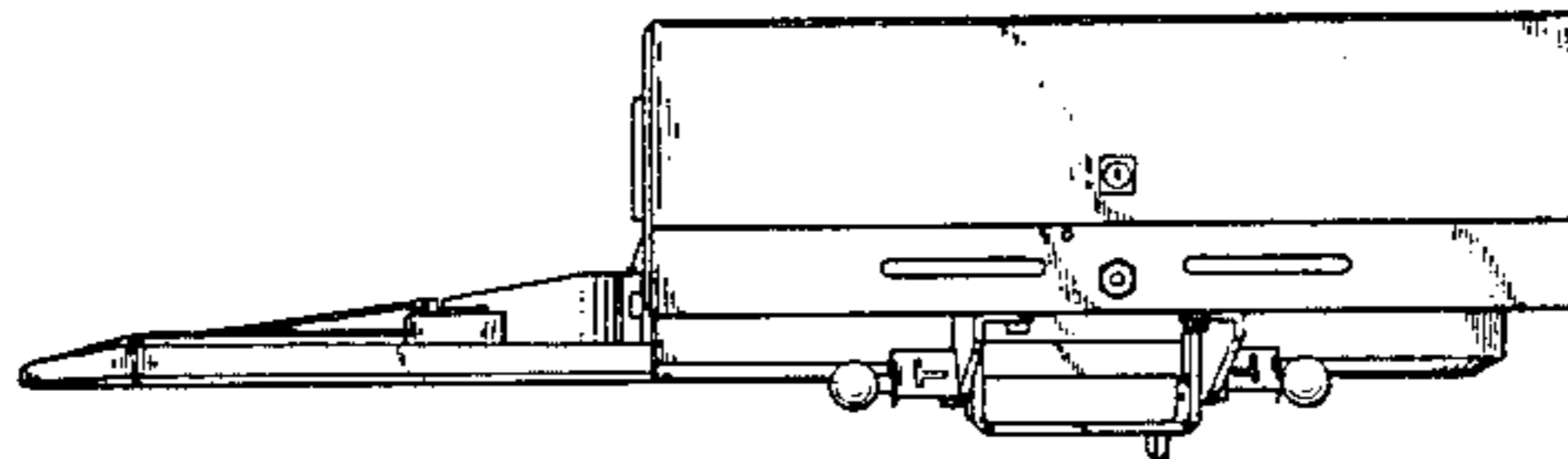
Primary Examiner—B. J. Bullock
Attorney, Agent, or Firm—McAulay, Fields, Fisher, Goldstein & Nissen

[57] **CLAIM**

The ornamental design for a combined heat sealing machine and trimmer, as shown and described.

DESCRIPTION

FIG. 1 is a side elevational view of a combined heat sealing machine and trimmer showing my new design; FIG. 2 is a side elevational view of the side opposite that shown in FIG. 1; FIG. 3 is a right end elevational view thereof; FIG. 4 is a left end elevational view thereof; FIG. 5 is a top plan view thereof; FIG. 6 is a bottom right perspective view thereof; and FIG. 7 is a bottom left perspective view thereof.



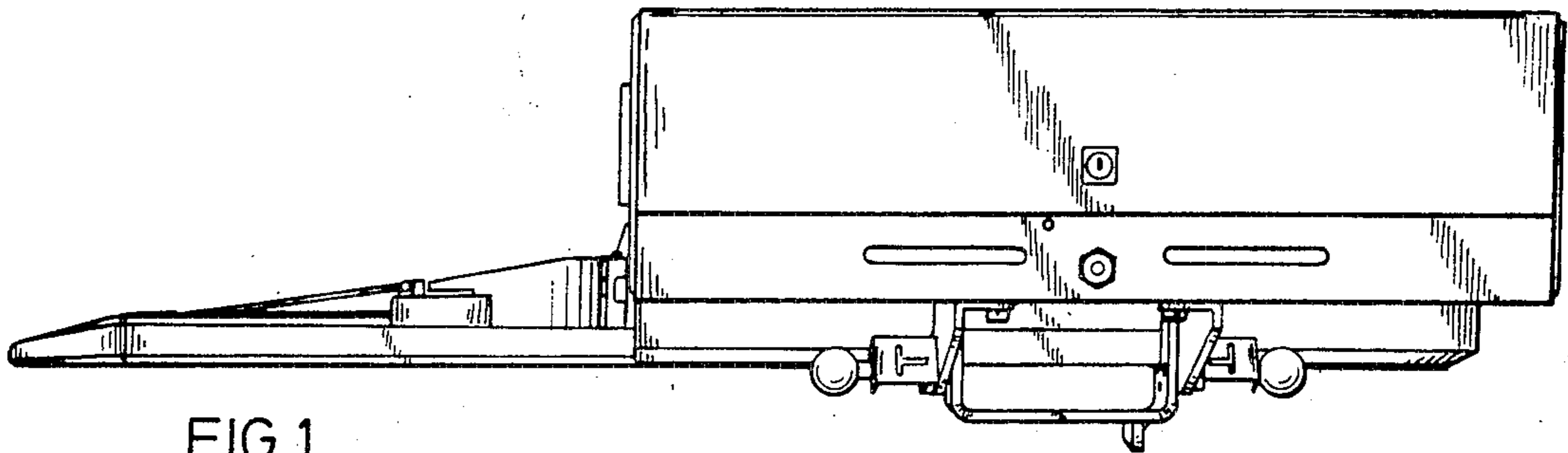


FIG. 1

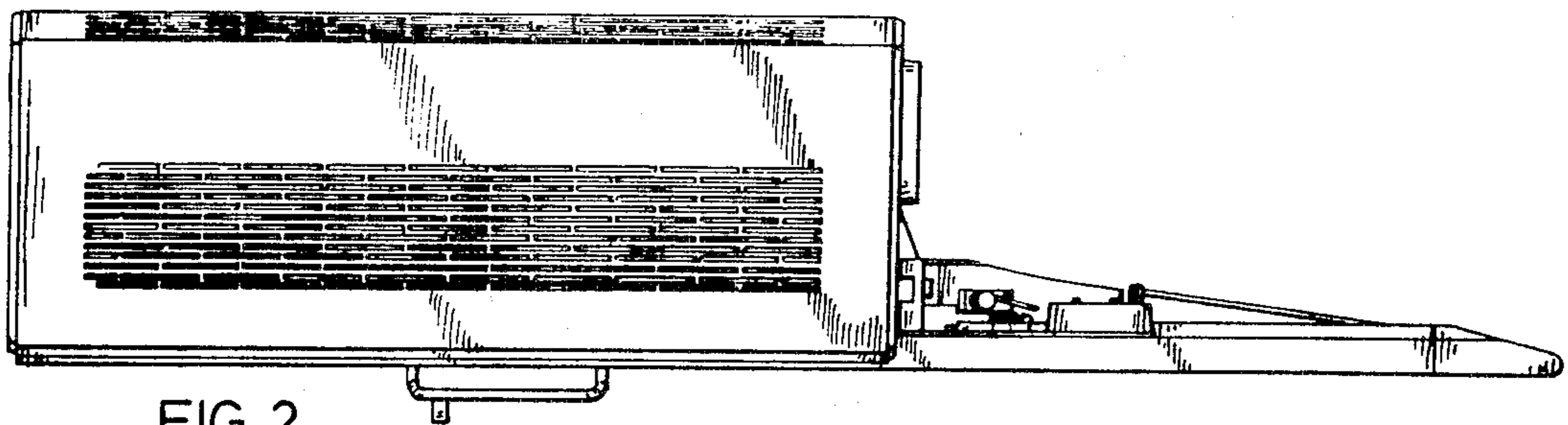


FIG. 2

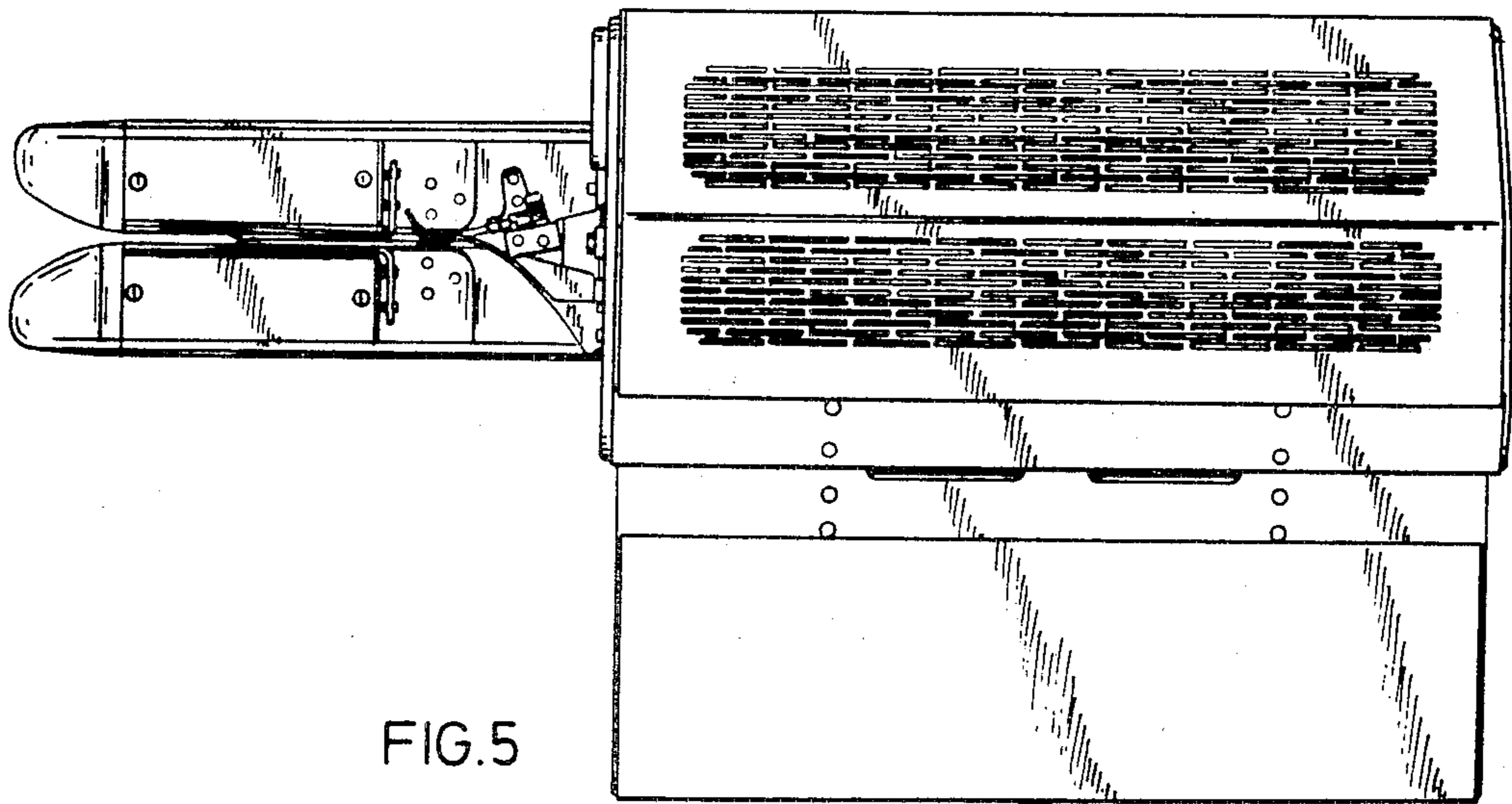


FIG. 5

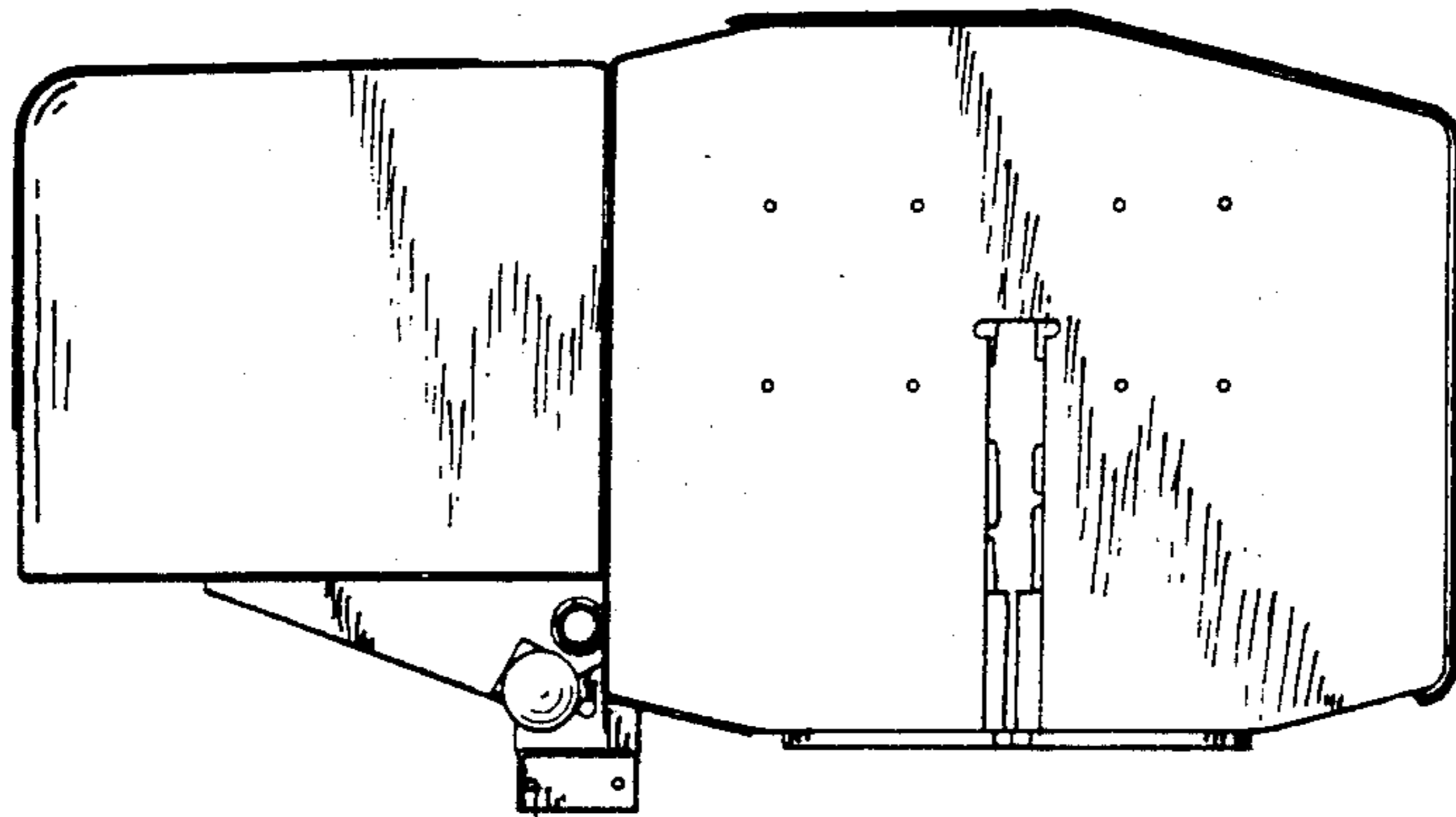


FIG. 3

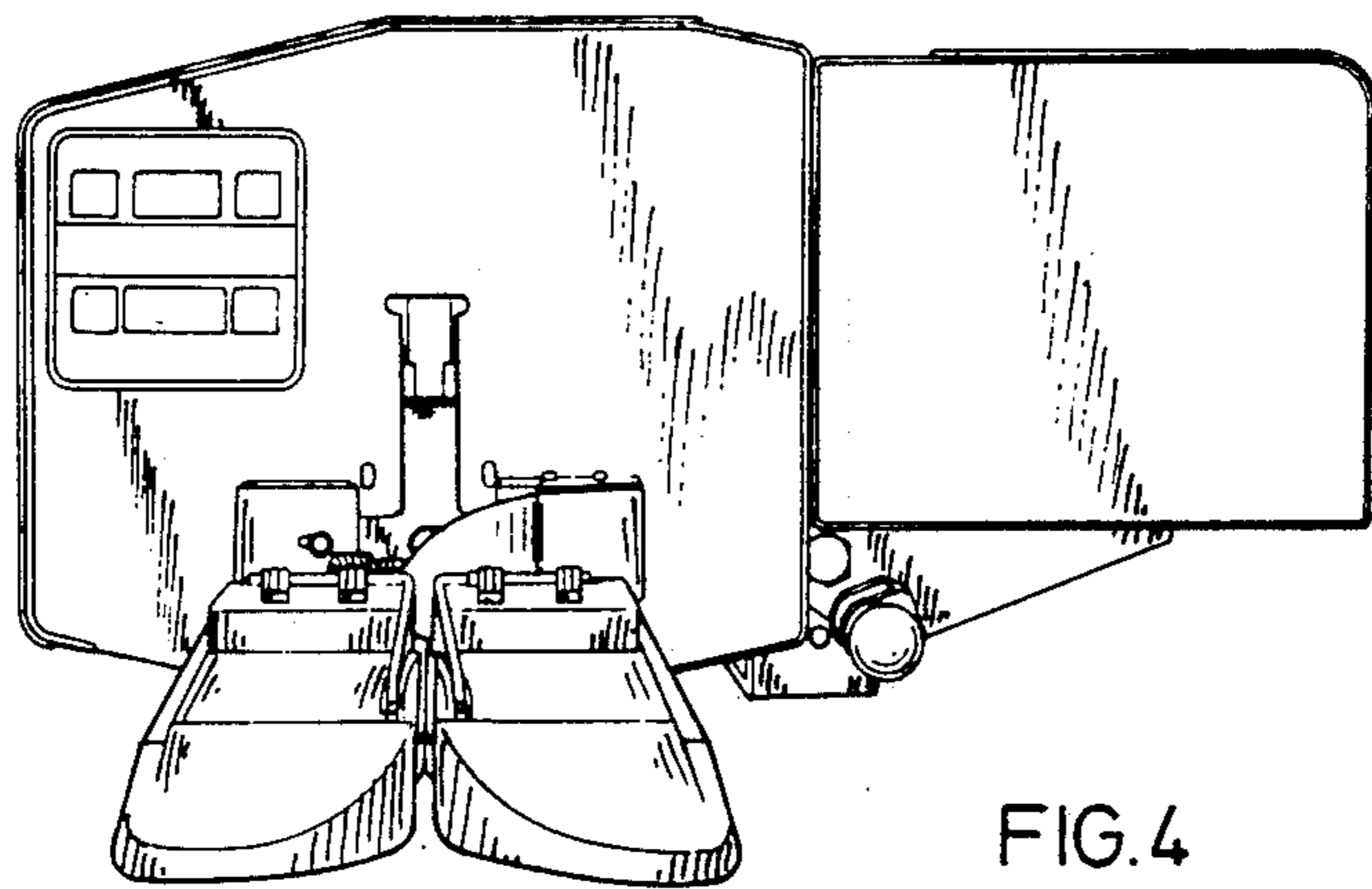


FIG. 4

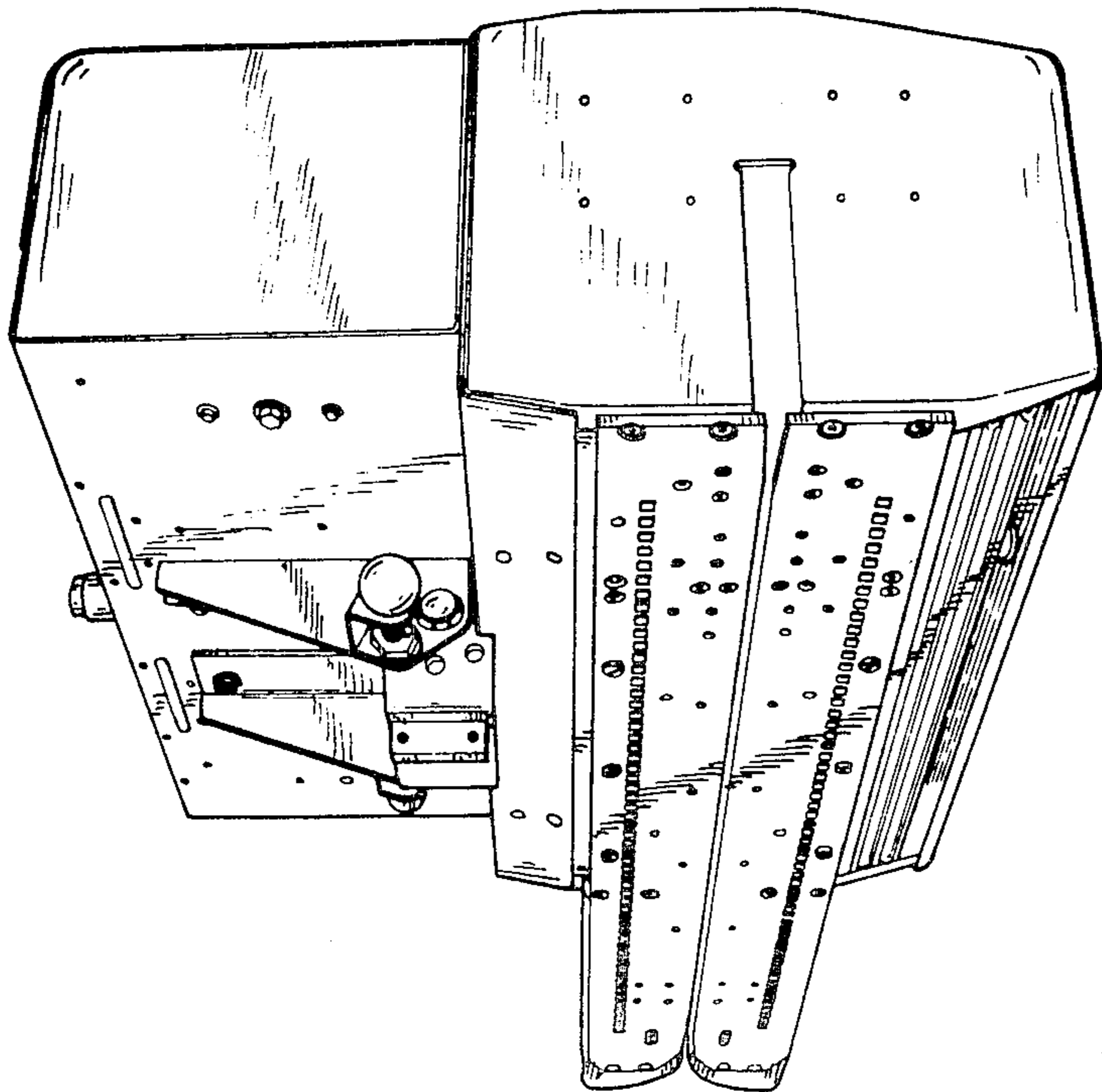


FIG. 6

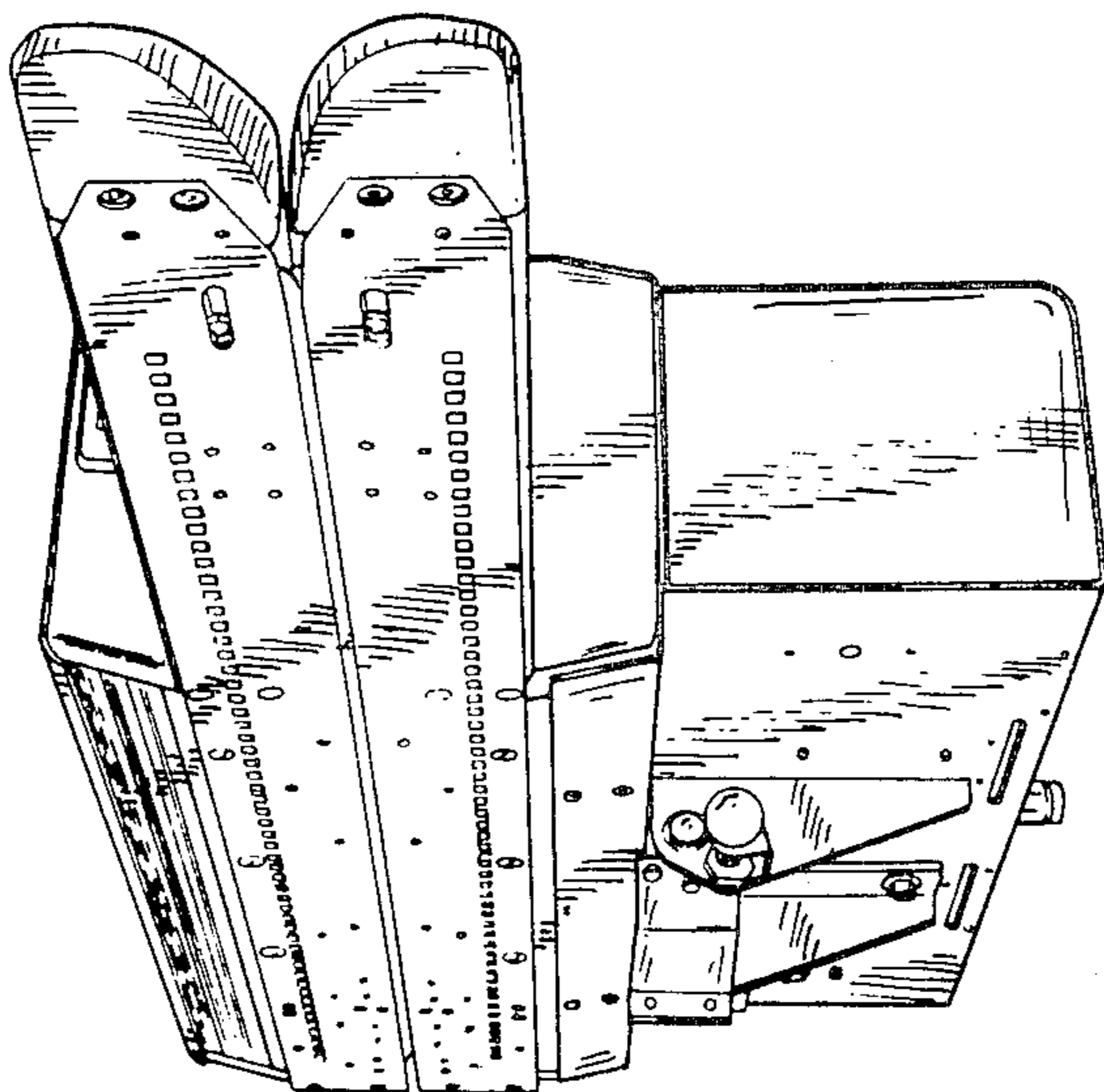


FIG. 7