

[54] SEWING MACHINE

[75] Inventor: Nobufusa Kuroki, Machida, Japan

[73] Assignee: Janome Sewing Machine Co., Ltd., Tokyo, Japan

[**] Term: 14 Years

[21] Appl. No.: 618,214

[22] Filed: Jun. 7, 1984

[30] Foreign Application Priority Data

May 24, 1984 [JP] Japan 59-20799

[52] U.S. Cl. D15/69

[58] Field of Search D15/68-70; 112/63, 258-261

[56] References Cited

U.S. PATENT DOCUMENTS

- D. 226,035 1/1973 Yamamoto D15/69
- D. 256,365 8/1980 Fresard D15/70

- D. 265,737 8/1982 Kuroki D15/70
- 4,044,700 8/1977 Aeschliman 112/258 X
- 4,099,474 7/1978 Hamlett et al. 112/258
- 4,314,517 2/1982 Kasahara et al. 112/260
- 4,426,944 1/1984 Bianchi 112/260

Primary Examiner—Charles A. Rademaker
Assistant Examiner—Linda Titolo
Attorney, Agent, or Firm—Michael J. Striker

[57] CLAIM

The ornamental design for a sewing machine, substantially as shown and described.

DESCRIPTION

FIG. 1 is a top front left side perspective view of a sewing machine, showing my new design; FIG. 2 is a front elevational view thereof; FIG. 3 is a rear elevational view thereof; FIG. 4 is a right side elevational view thereof; FIG. 5 is a left side elevational view thereof; FIG. 6 is a top plan view thereof; and FIG. 7 is a bottom plan view thereof.

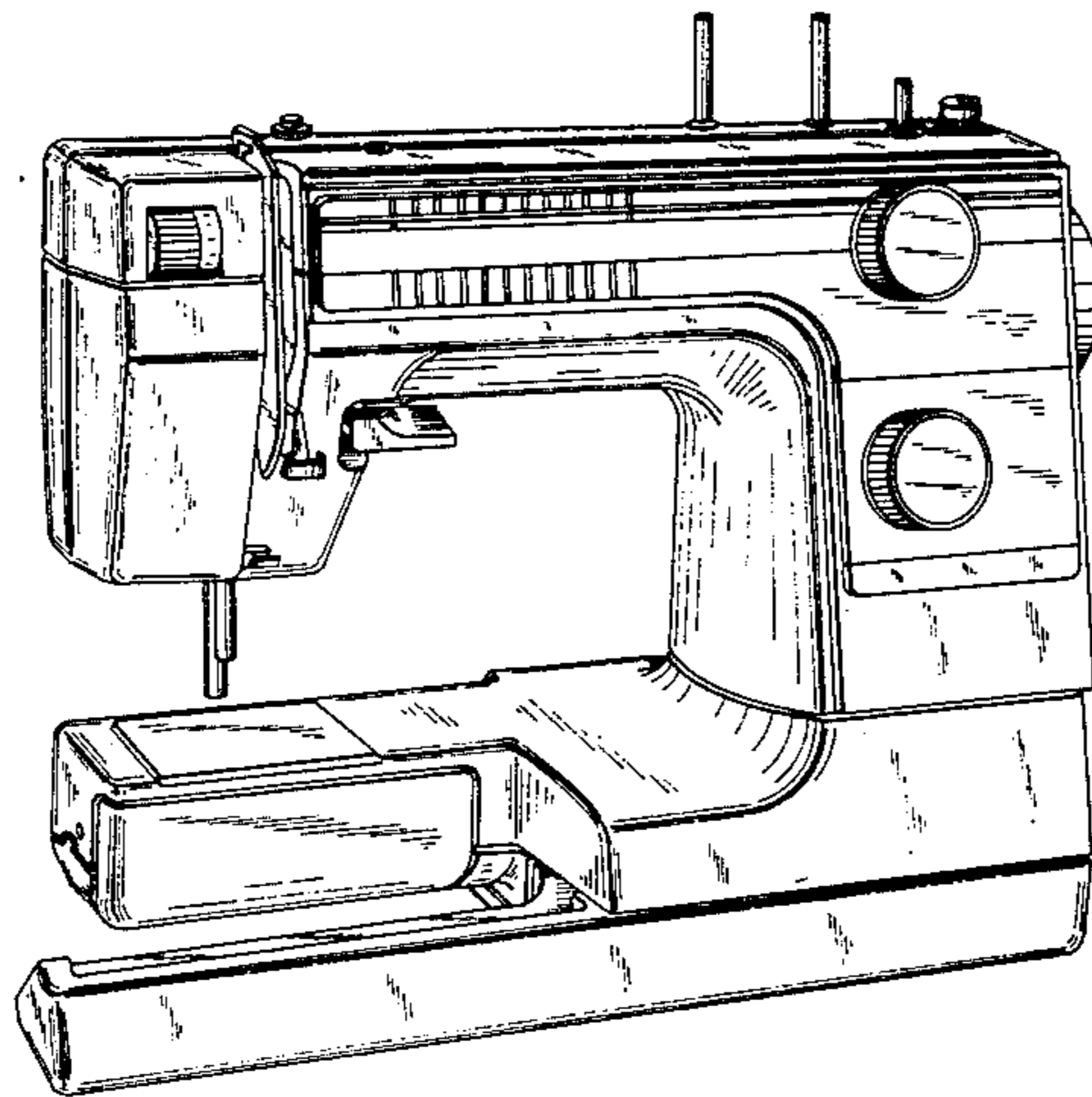


FIG. 1

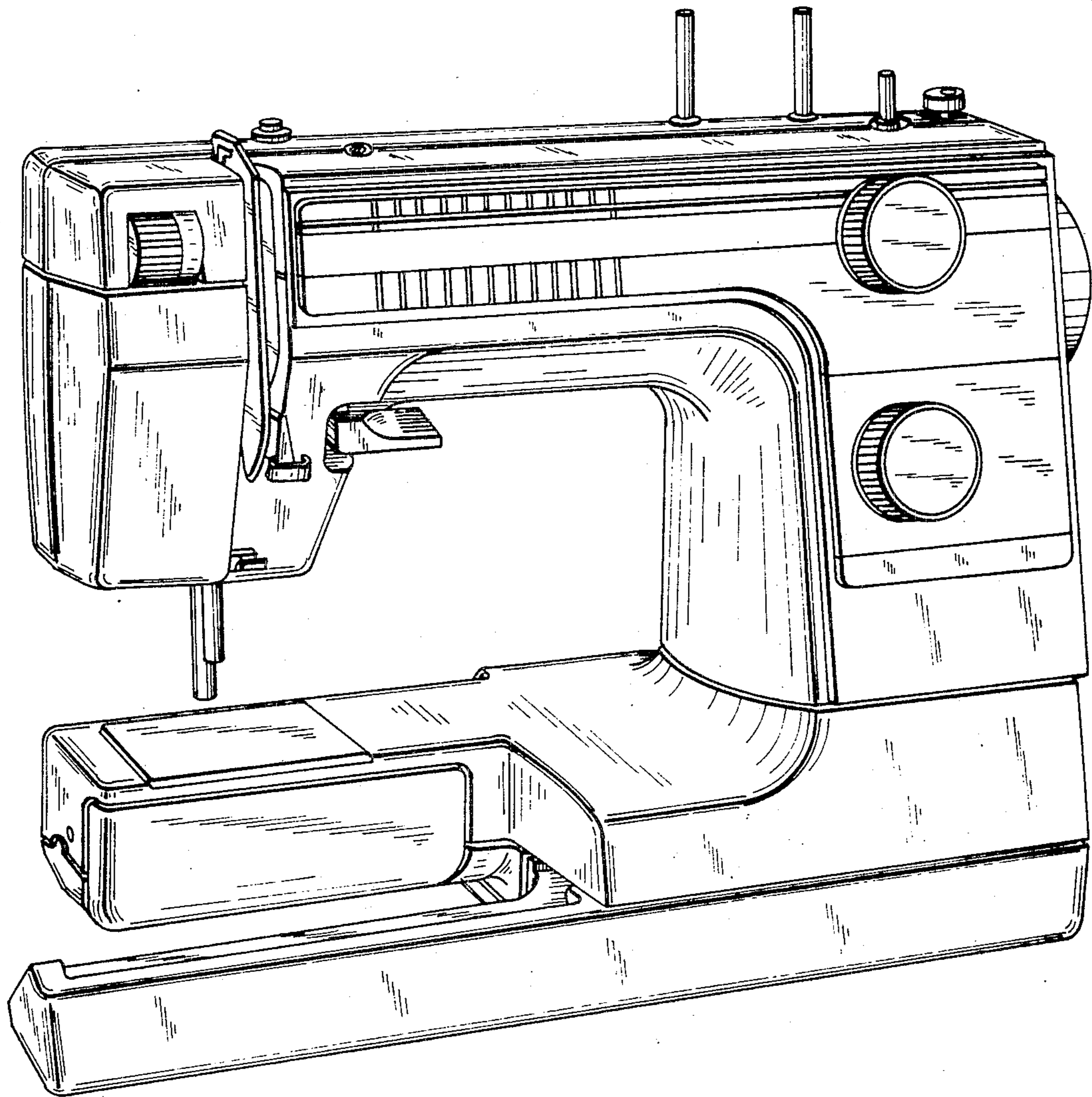


FIG. 2

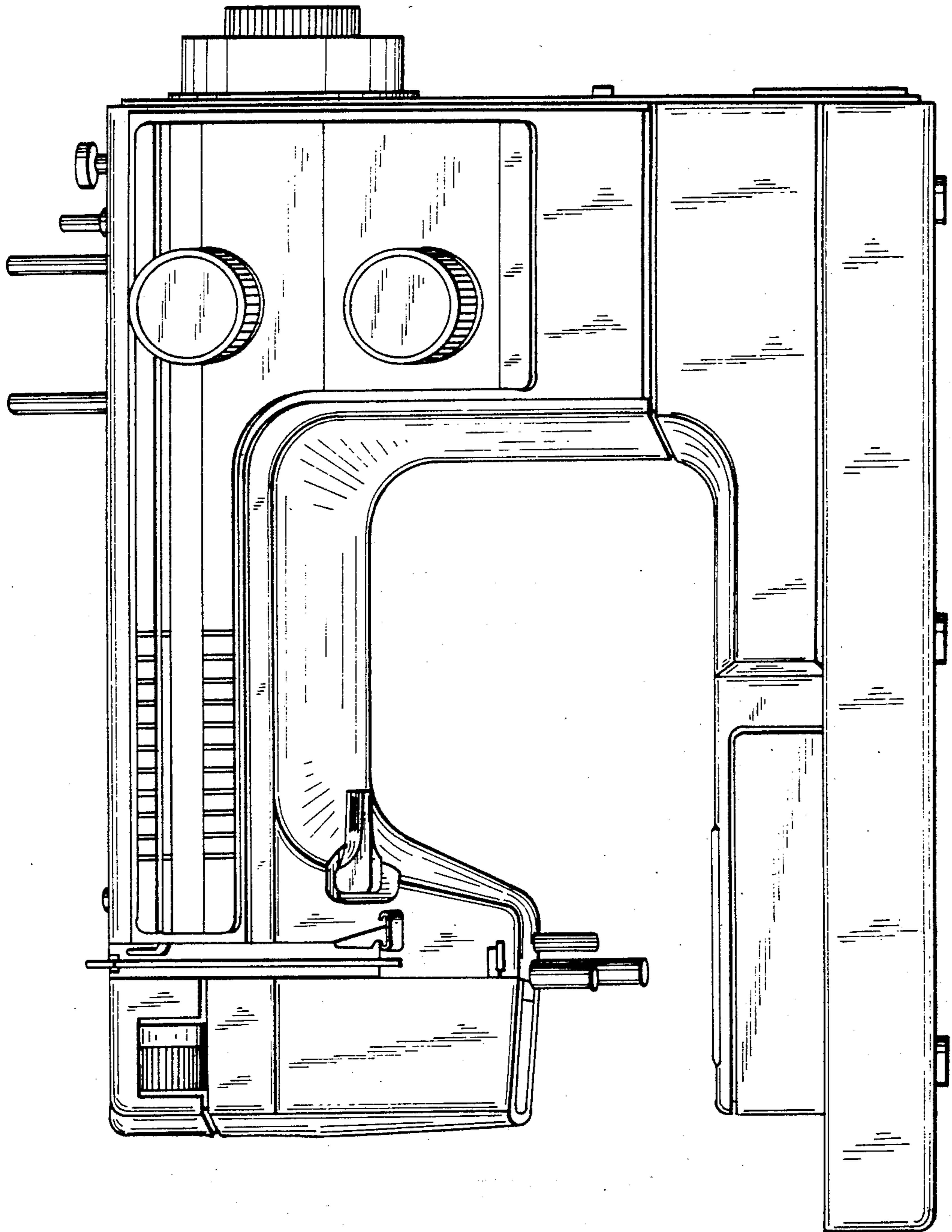


FIG. 3

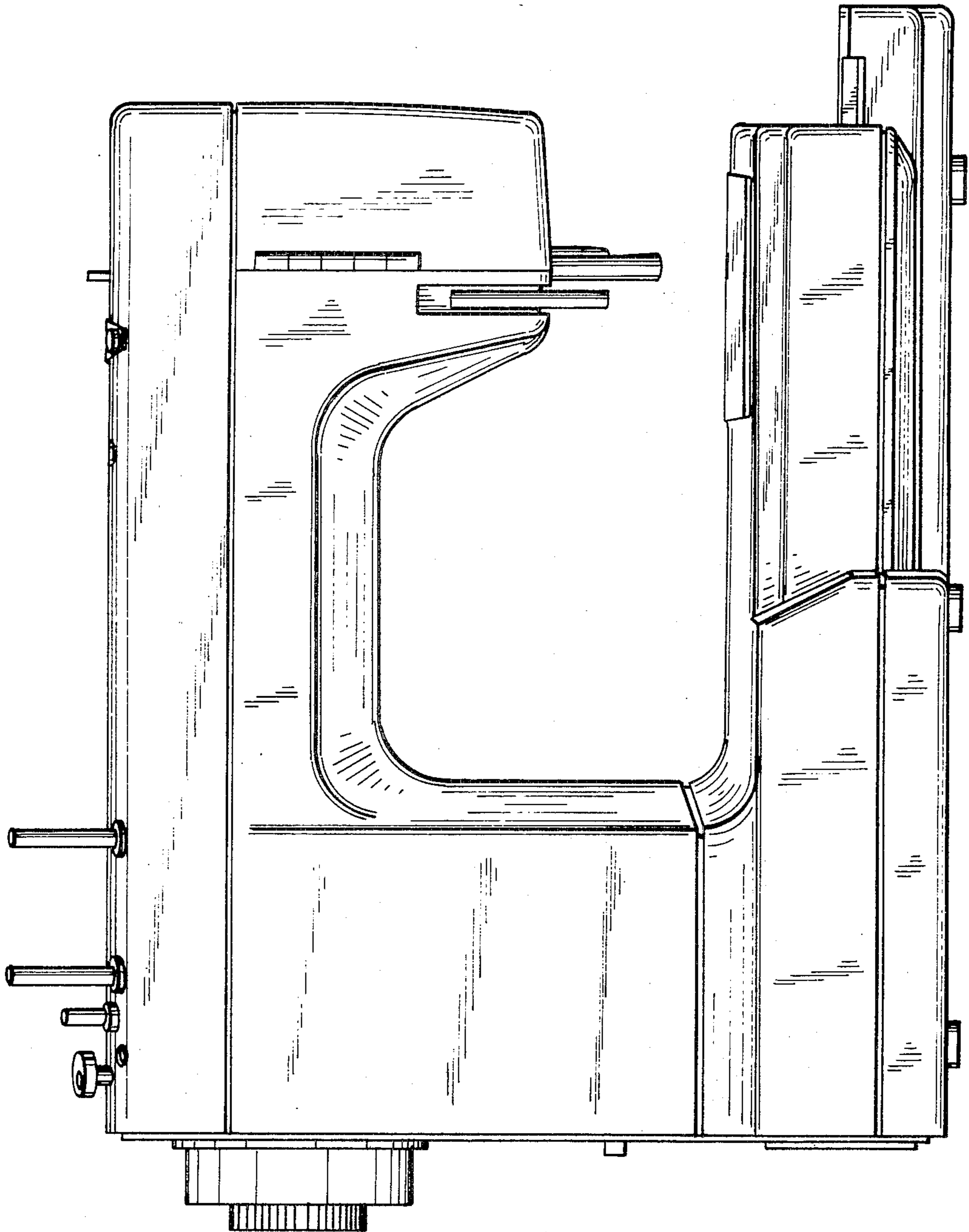


FIG. 4

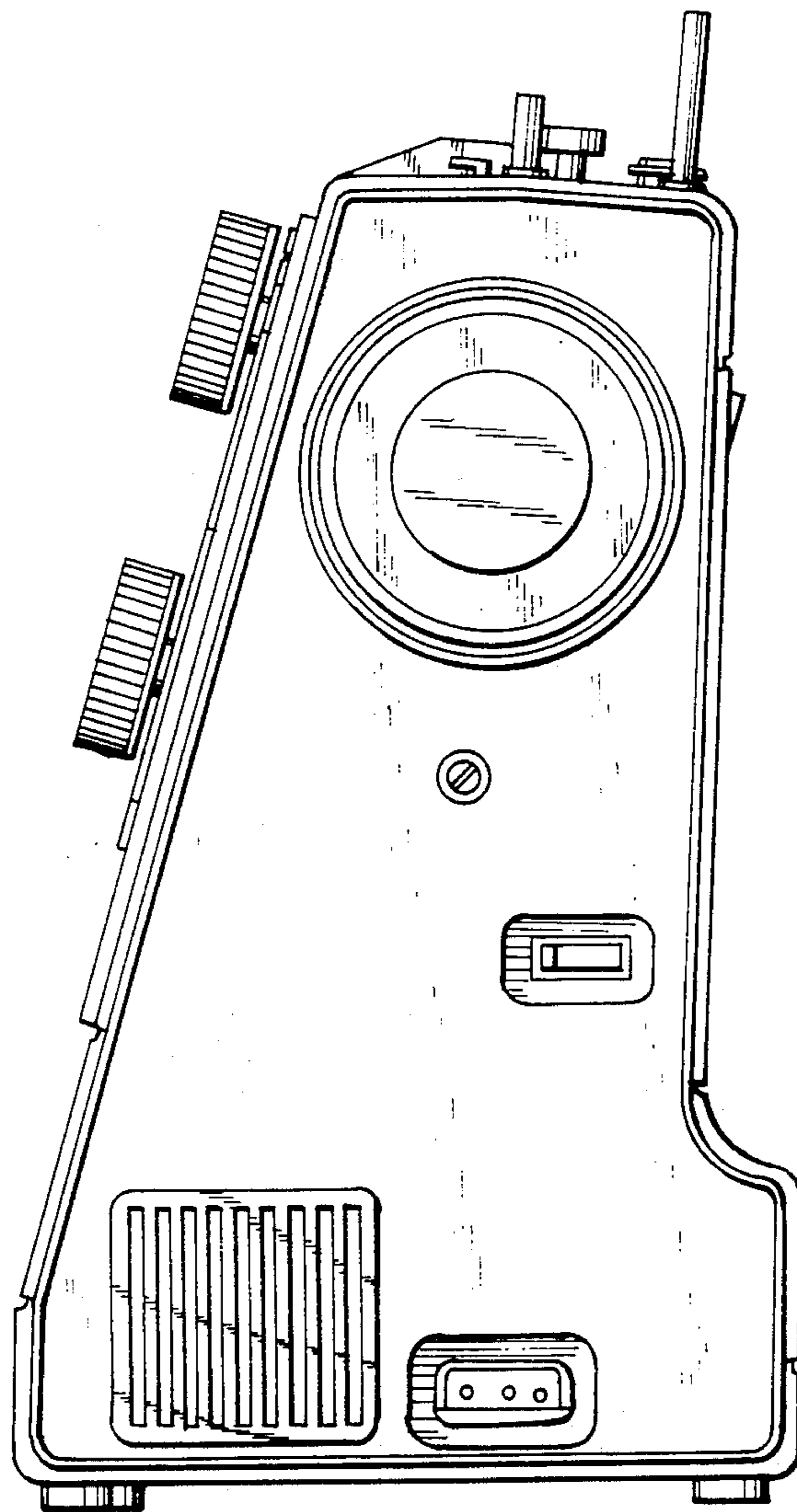


FIG. 5

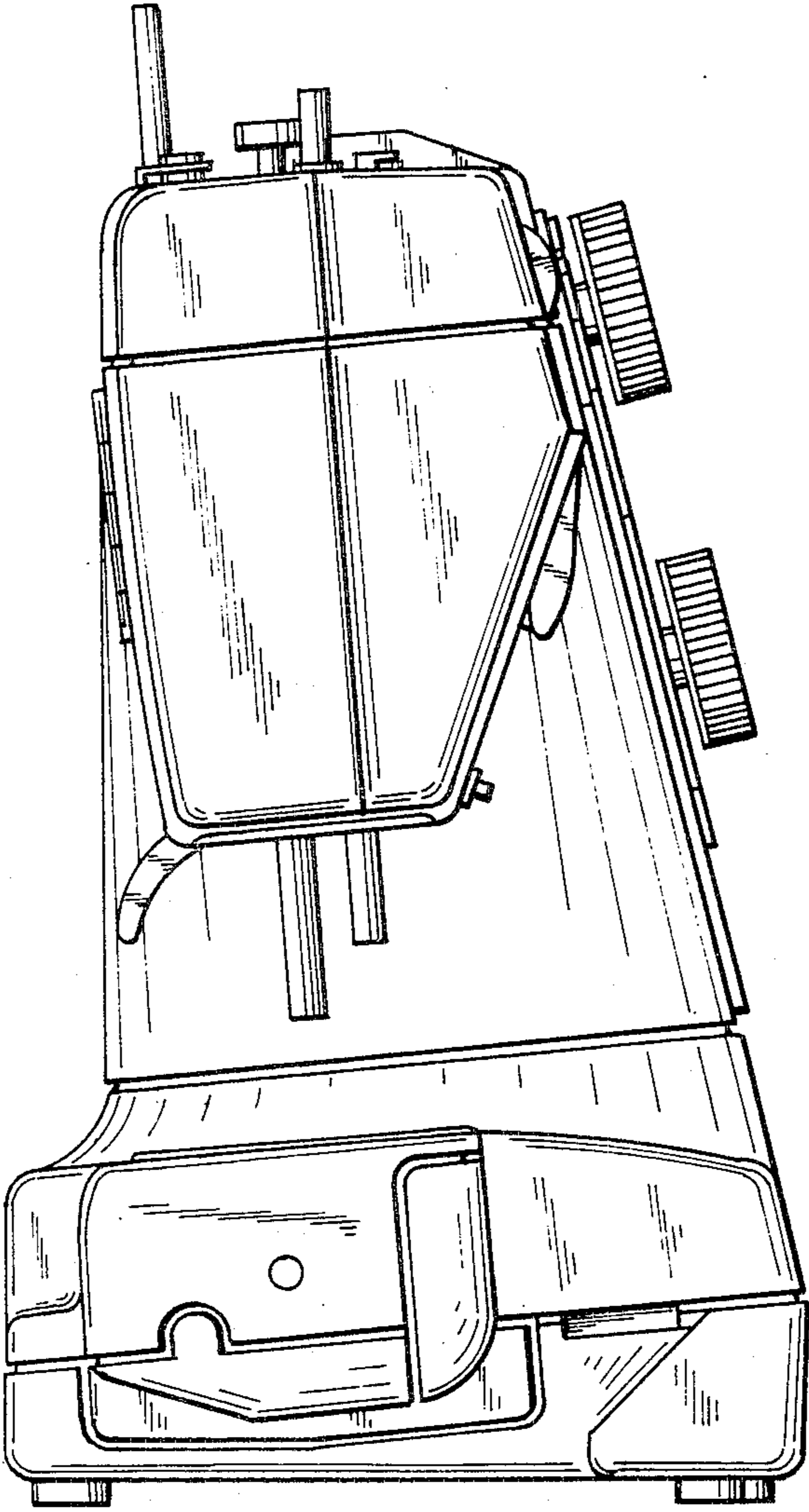


FIG. 6

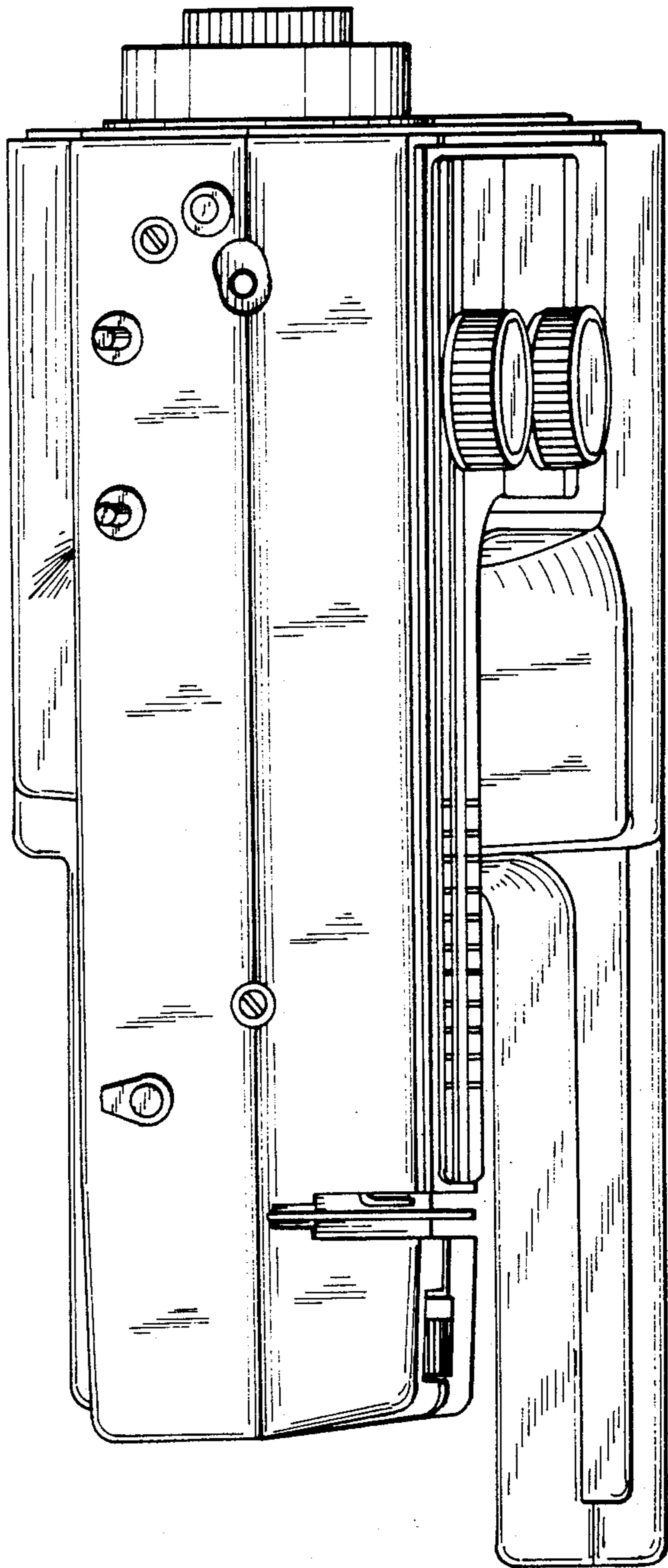


FIG. 7

