

[54] SEWING MACHINE

[75] Inventor: Nobufusa Kuroki, Machida, Japan

[73] Assignee: Janome Sewing Machine Co., Ltd., Tokyo, Japan

[**] Term: 14 Years

[21] Appl. No.: 616,432

[22] Filed: May 31, 1984

[30] Foreign Application Priority Data

May 15, 1984 [JP] Japan 59-19426

[52] U.S. Cl. D15/69; D15/70

[58] Field of Search D15/68-70; 112/63, 258-261

[56] References Cited

U.S. PATENT DOCUMENTS

- D. 217,307 4/1970 Grange D15/69
- D. 256,365 8/1980 Fresard D15/70

- D. 265,737 8/1982 Kuroki D15/70
- 4,034,691 7/1977 Sasaki 112/260 X
- 4,040,369 8/1977 Kaito 112/258
- 4,296,702 10/1981 Meier et al. 112/258

Primary Examiner—Charles A. Rademaker
Assistant Examiner—Linda Titolo
Attorney, Agent, or Firm—Michael J. Striker

[57] CLAIM

The ornamental design for a sewing machine, substantially as shown and described.

DESCRIPTION

FIG. 1 is a top front left side perspective view of a sewing machine, showing my new design; FIG. 2 is a front elevational view thereof; FIG. 3 is a rear elevational view thereof; FIG. 4 is a right side elevational view thereof; FIG. 5 is a left side elevational view thereof; FIG. 6 is a top plan view thereof; and FIG. 7 is a bottom plan view thereof.

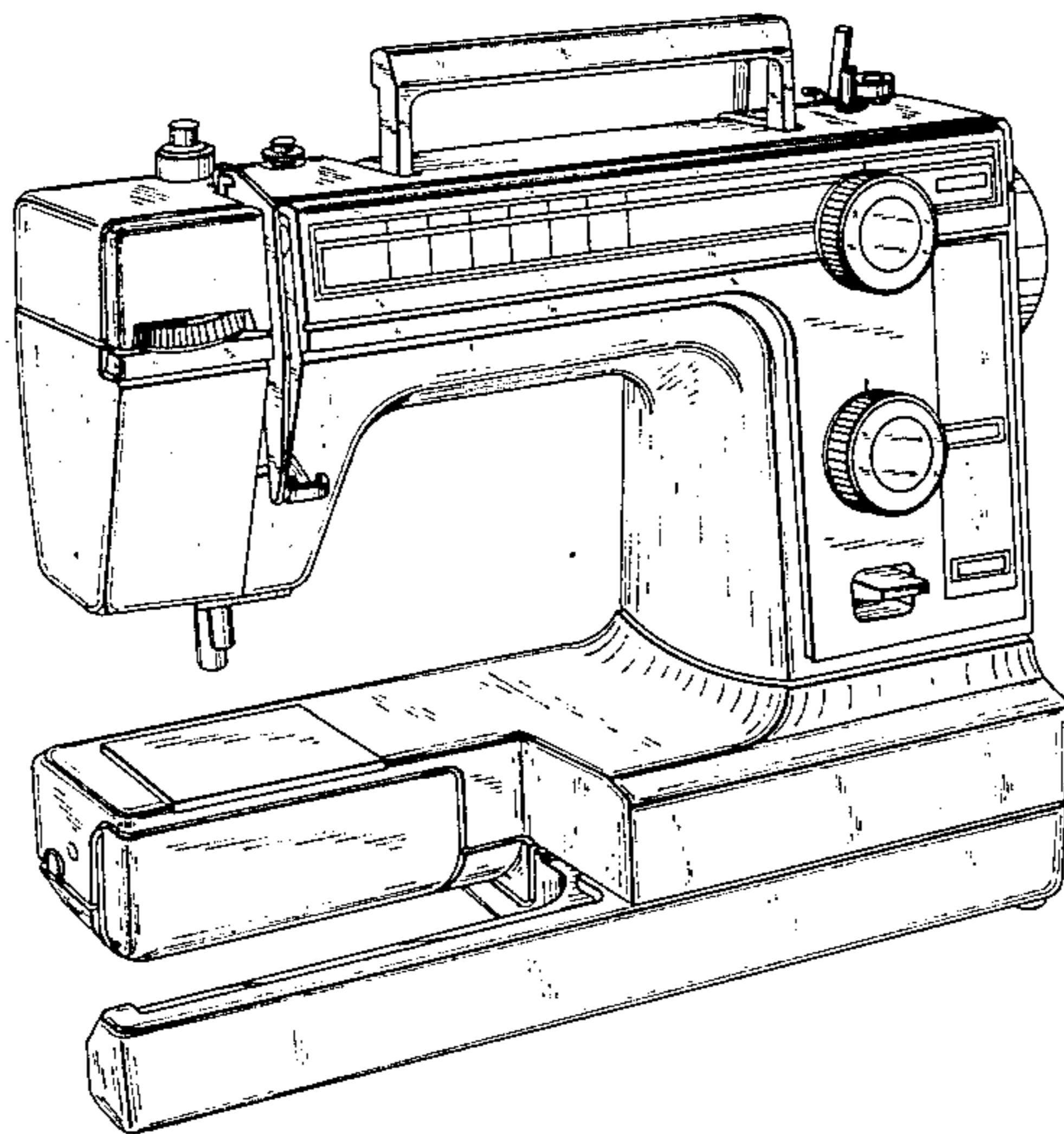
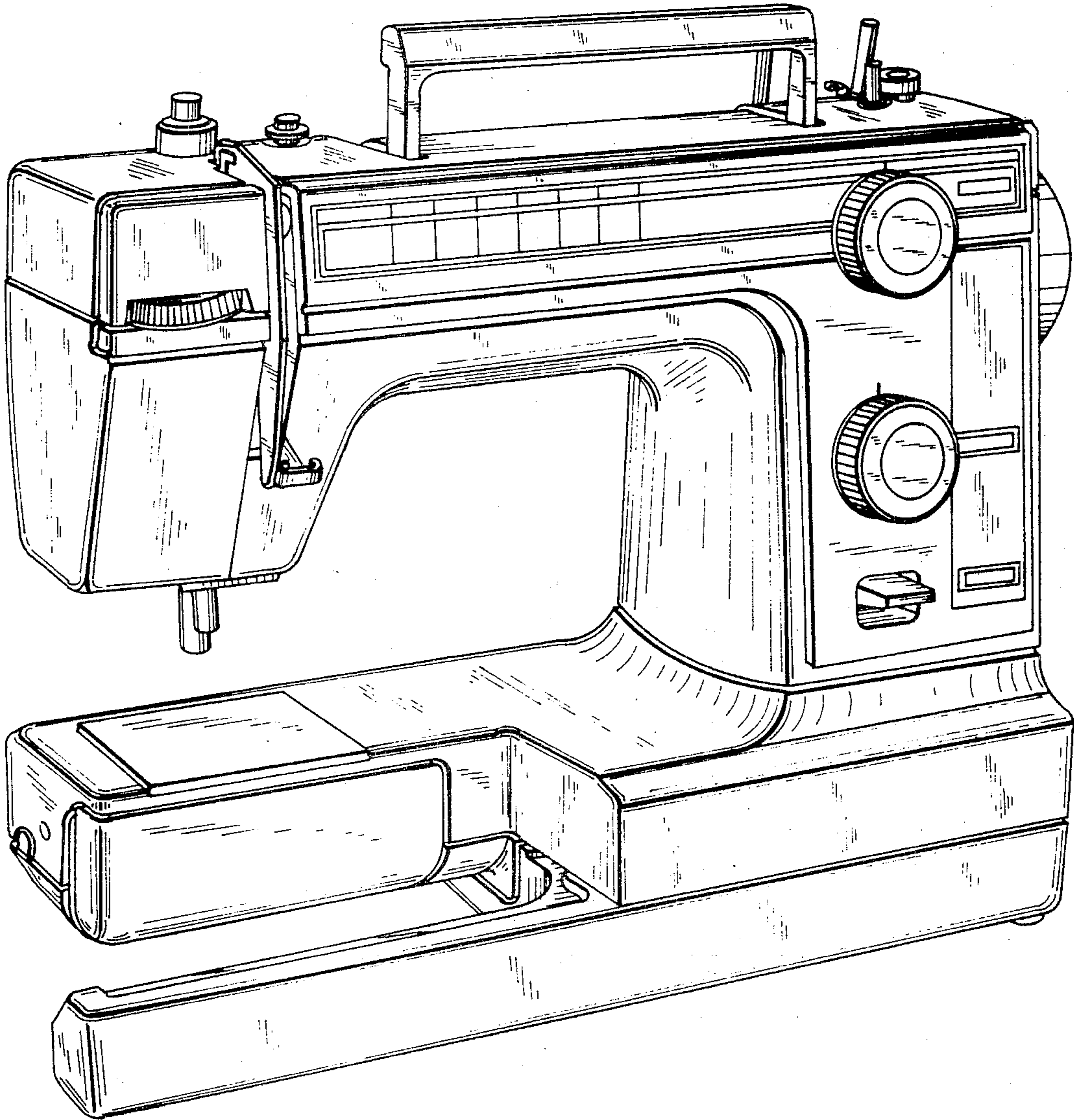


FIG. 1



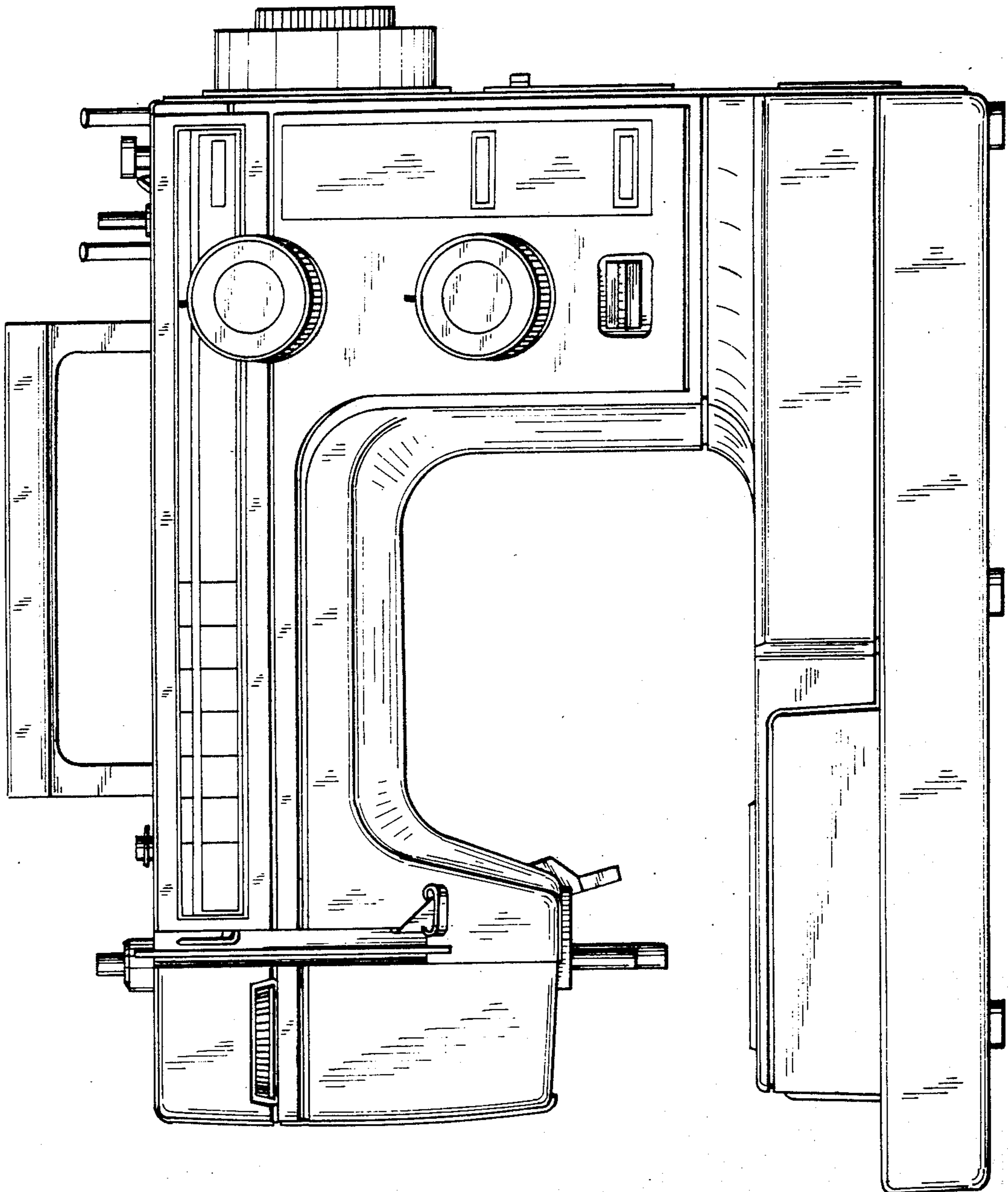


FIG. 2

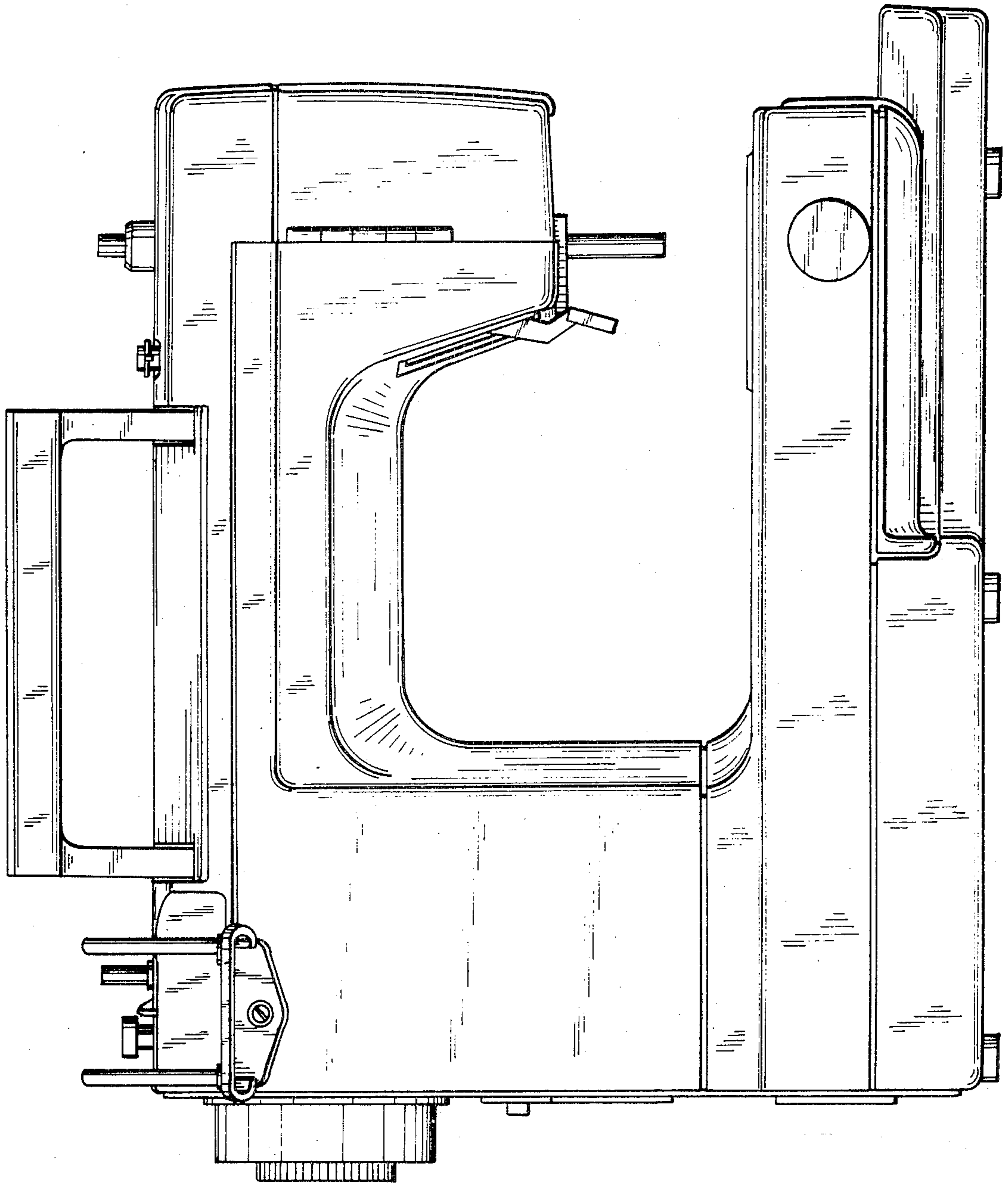


FIG. 3

FIG. 4

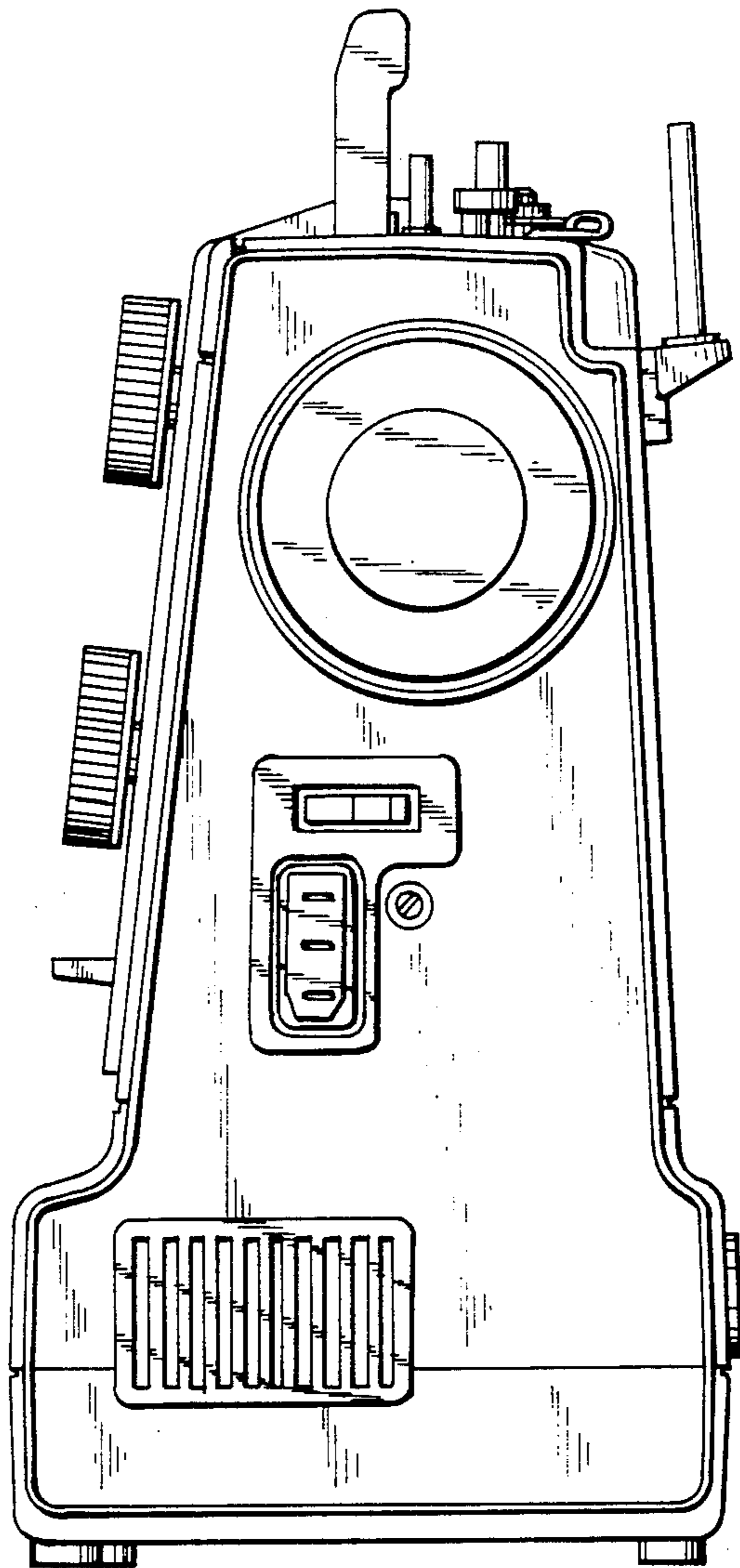


FIG. 5

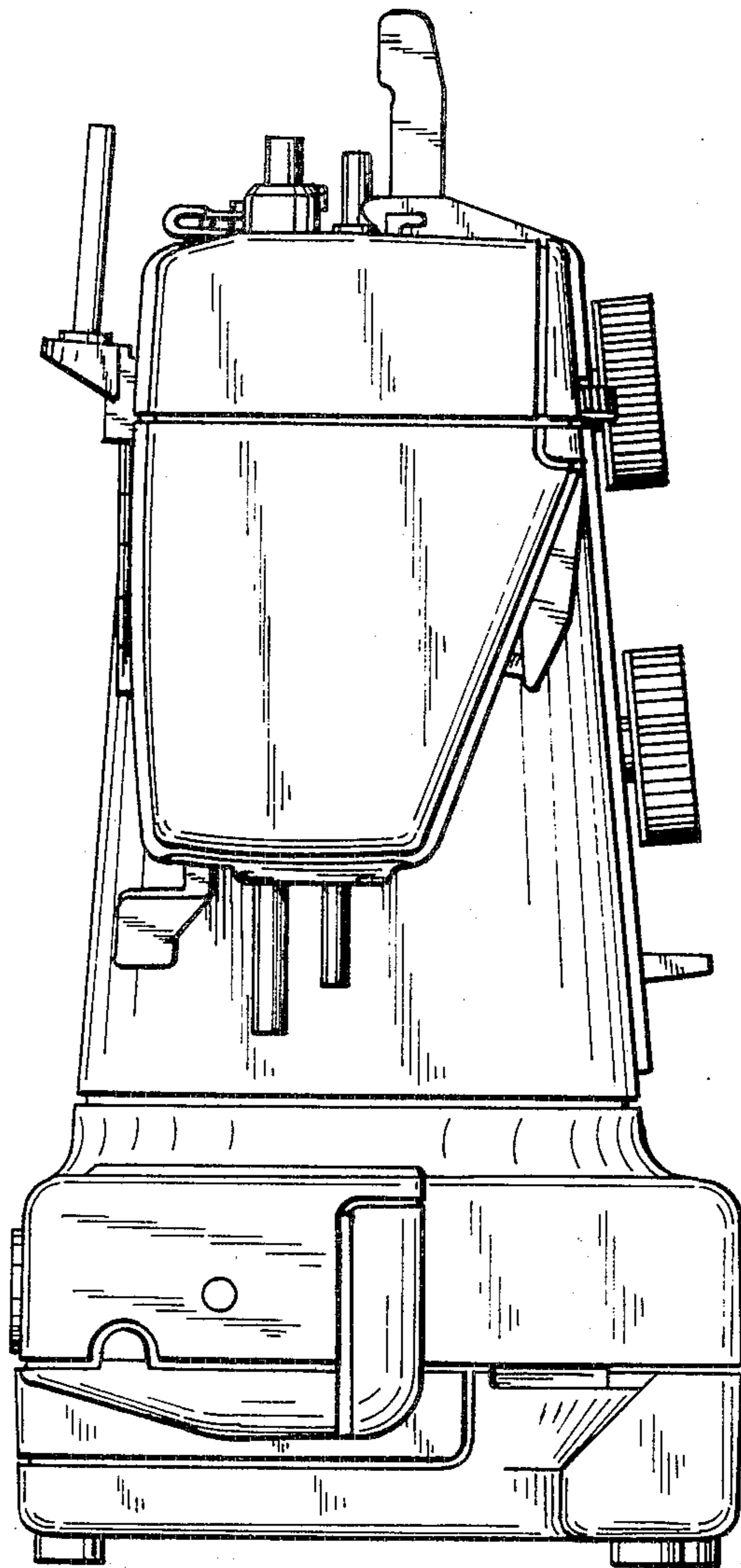


FIG. 6

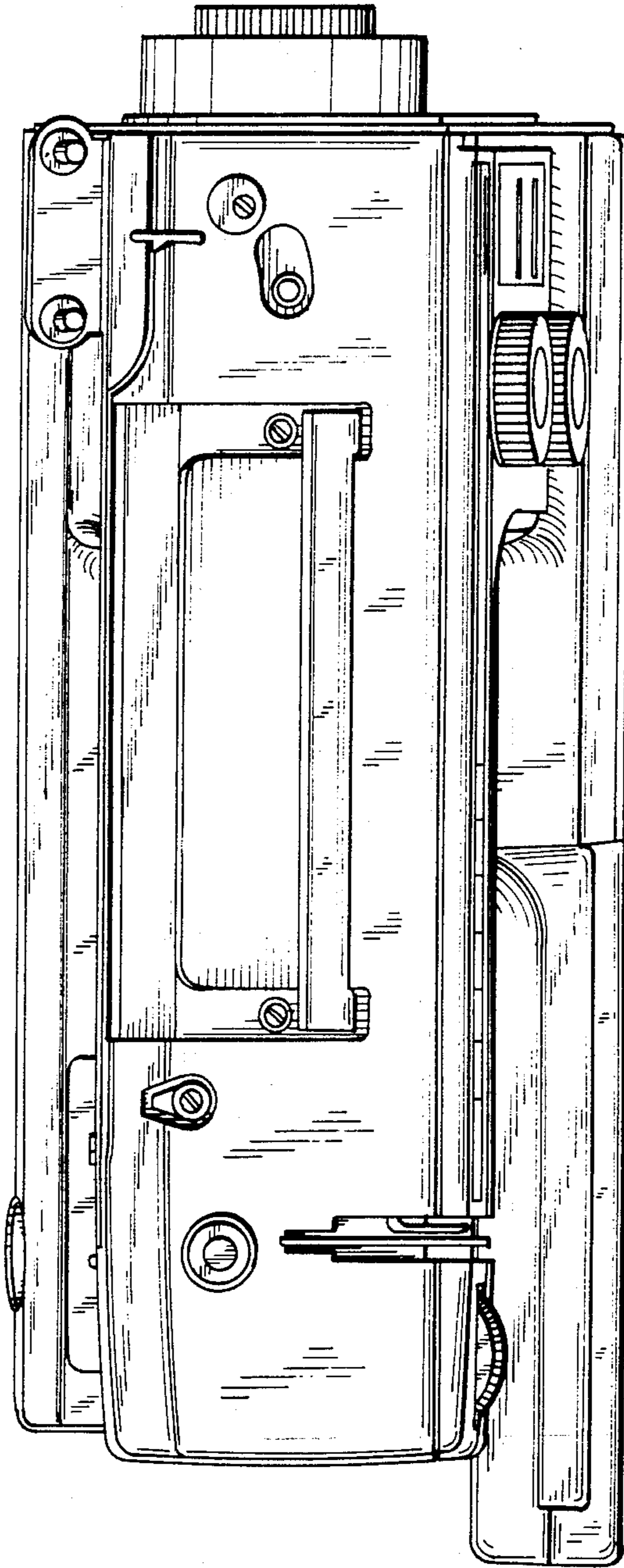


FIG. 7

