

[54] FACSIMILE TRANSCIEVER/RECEIVER

[75] Inventor: Fumiyo Kojima, Kanagawa, Japan

[73] Assignee: Ricoh Company Ltd., Japan

[**] Term: 14 Years

[21] Appl. No.: 640,320

[22] Filed: Aug. 13, 1984

[52] U.S. Cl. D14/94; D16/31

[58] Field of Search D14/94; 358/286, 293,
358/256; D16/27-32

[56] References Cited

U.S. PATENT DOCUMENTS

D. 197,539	2/1964	Knowles	D16/31
D. 262,967	2/1982	Fujiyama	D14/94
D. 265,096	6/1982	Masaki	D16/31
D. 267,799	2/1983	Esaki	D14/94
D. 275,677	9/1984	Suzuki	D14/94

D. 281,780	12/1985	Takeuchi	D14/94
4,005,257	1/1977	Krallinger	358/256

OTHER PUBLICATIONS

Omnifax Flyer-11/30/81-Facs. Transceiver on front.

Primary Examiner—Nelson C. Holtje

Attorney, Agent, or Firm—Guy W. Shoup

[57] CLAIM

The ornamental design for facsimile transceiver/-receiver, as shown.

DESCRIPTION

FIG. 1 is a front and top-right perspective view of a facsimile transceiver/receiver showing my new design;
 FIG. 2 is a front elevational view thereof;
 FIG. 3 is a top plan view thereof;
 FIG. 4 is a right side elevational view thereof;
 FIG. 5 is a left side elevational view thereof;
 FIG. 6 is a rear elevational view thereof;
 FIG. 7 is a bottom plan view thereof.

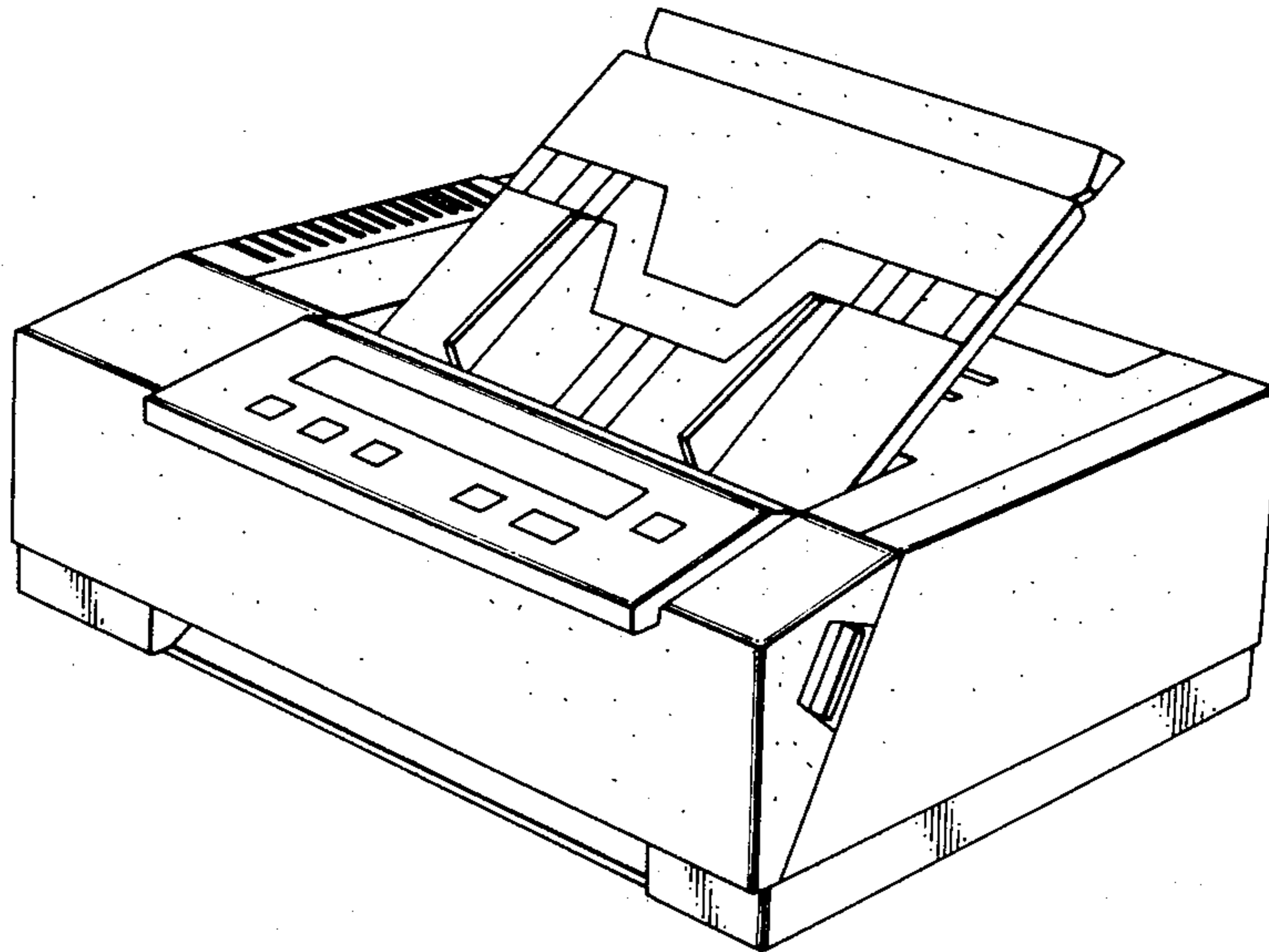


FIG. 1

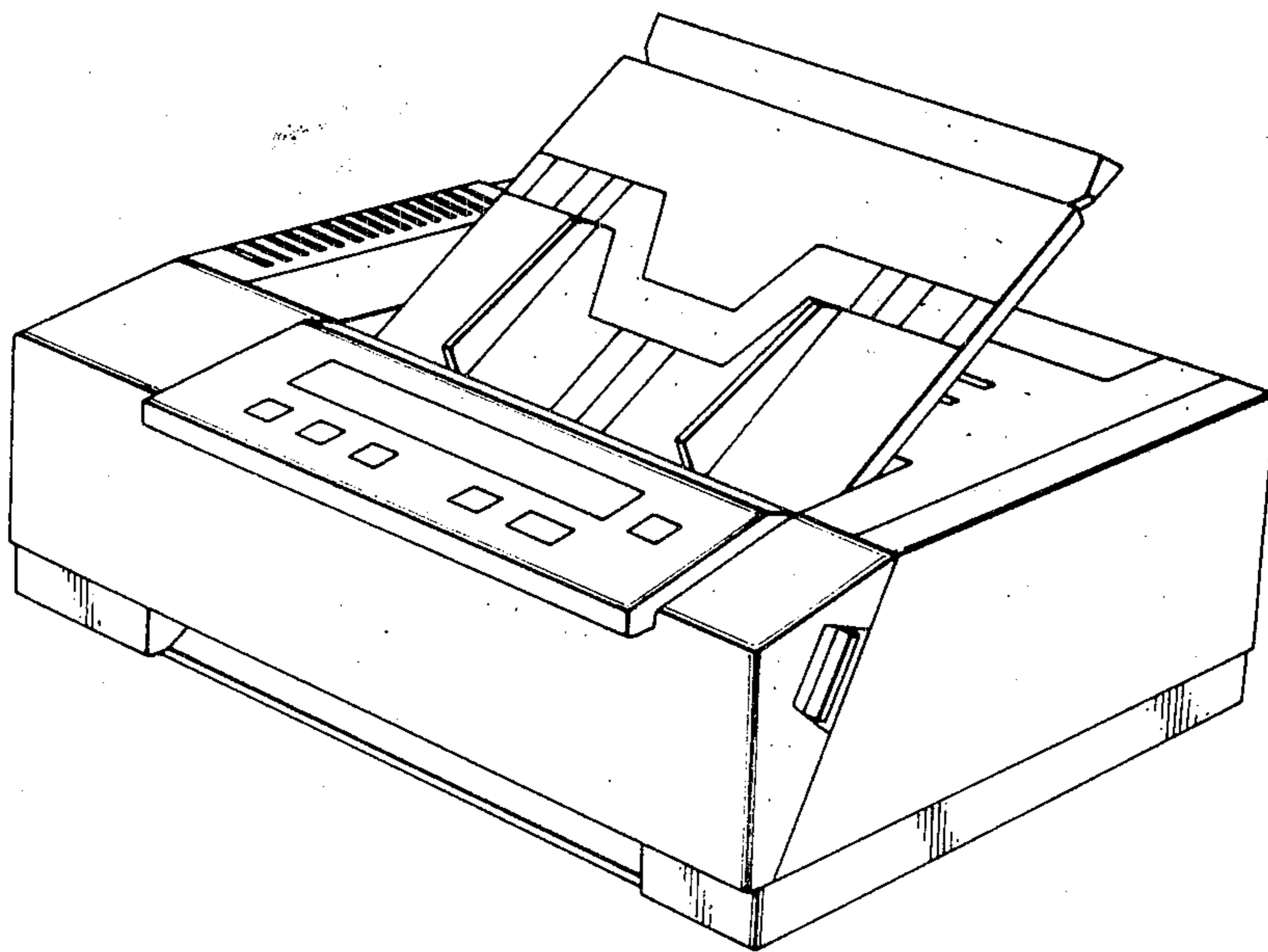


FIG. 2

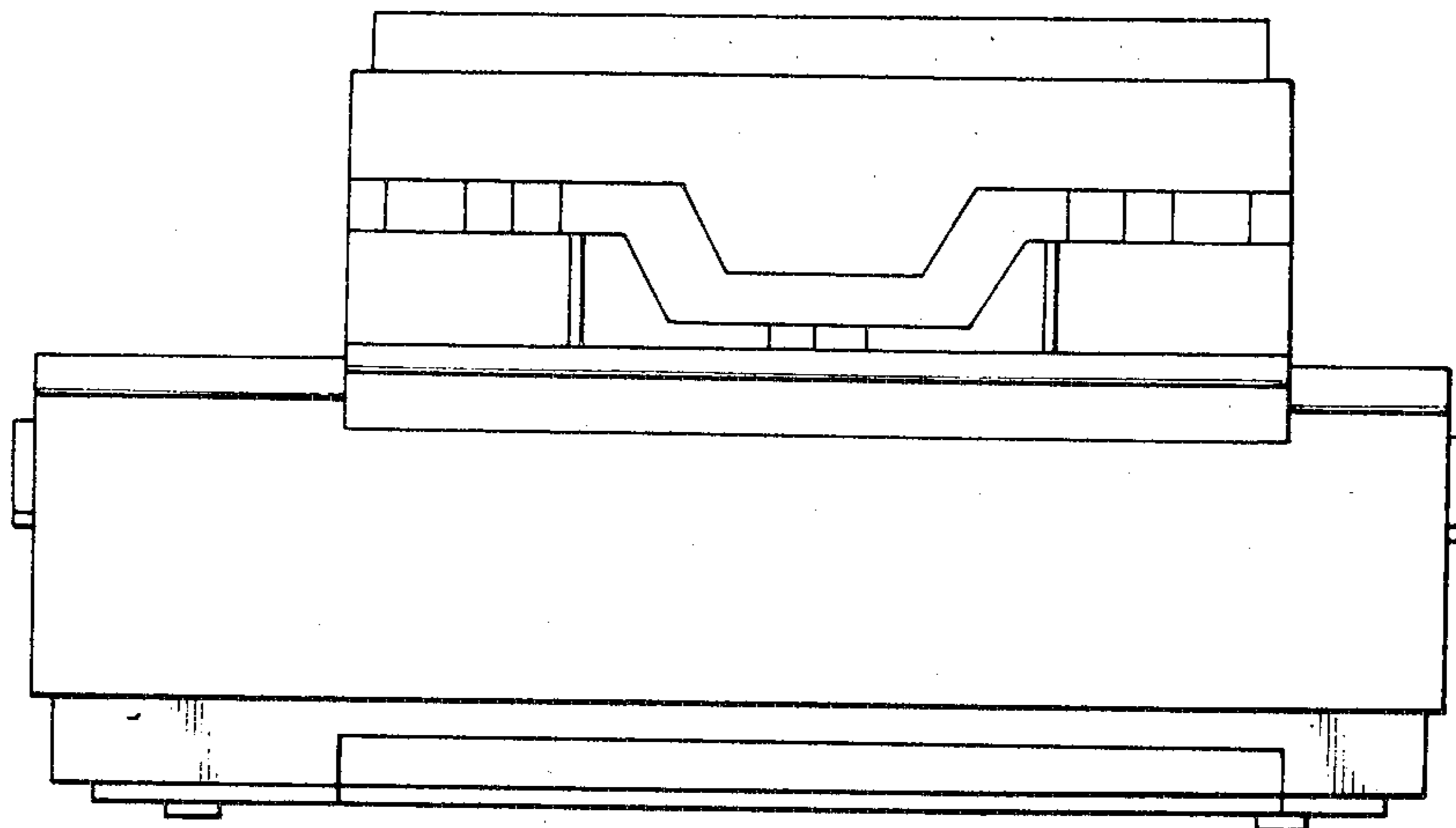


FIG. 3

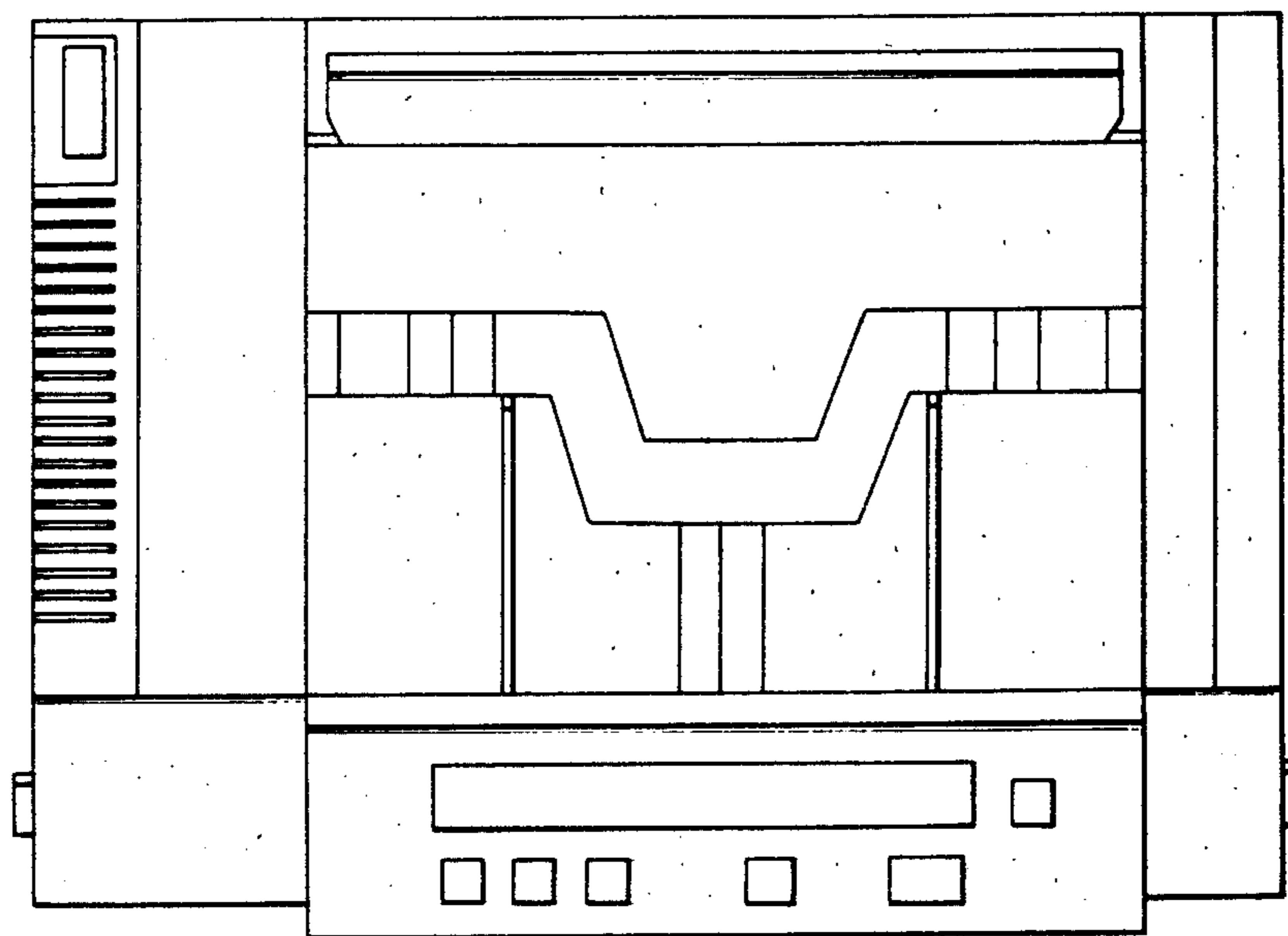


FIG. 4

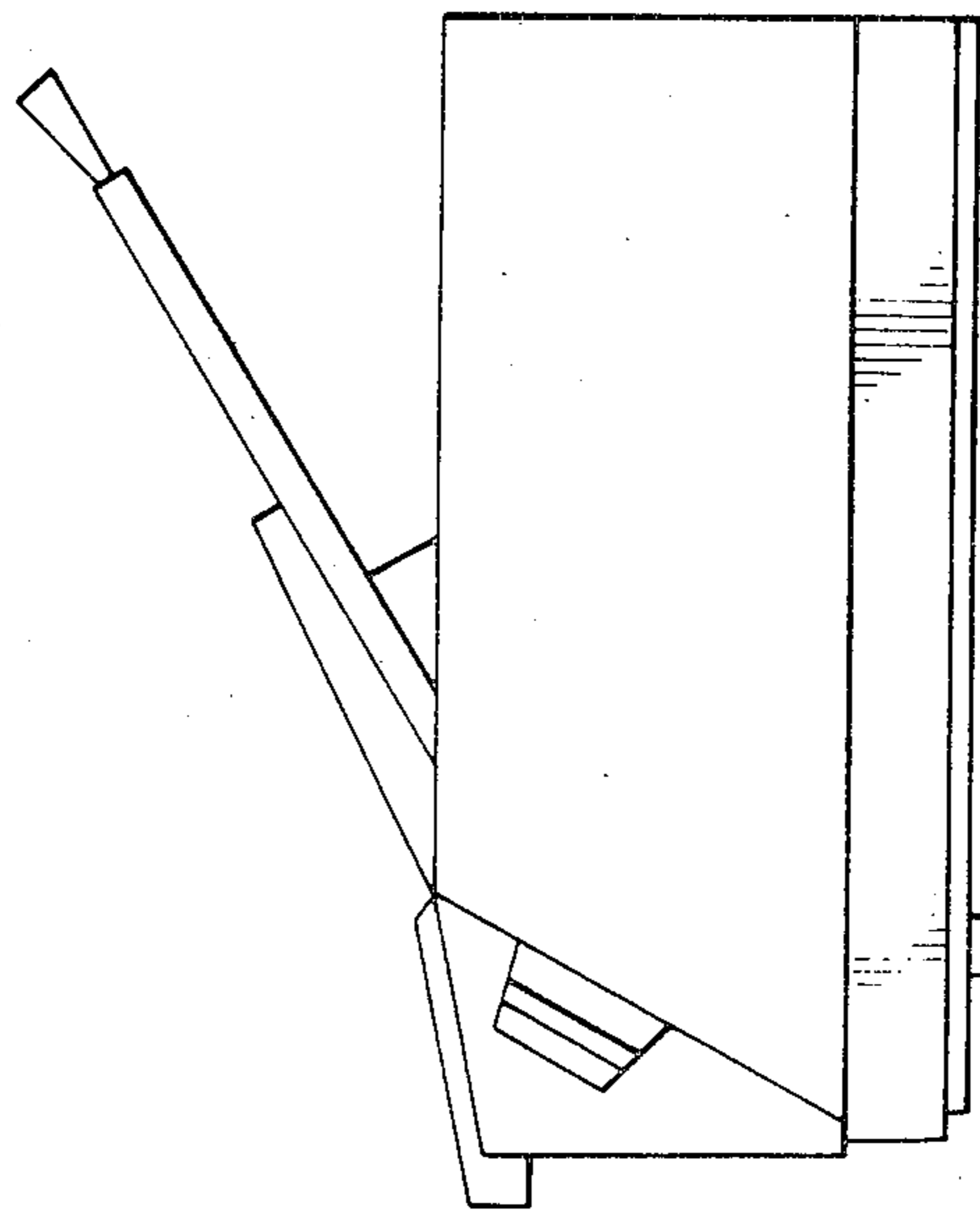


FIG. 5

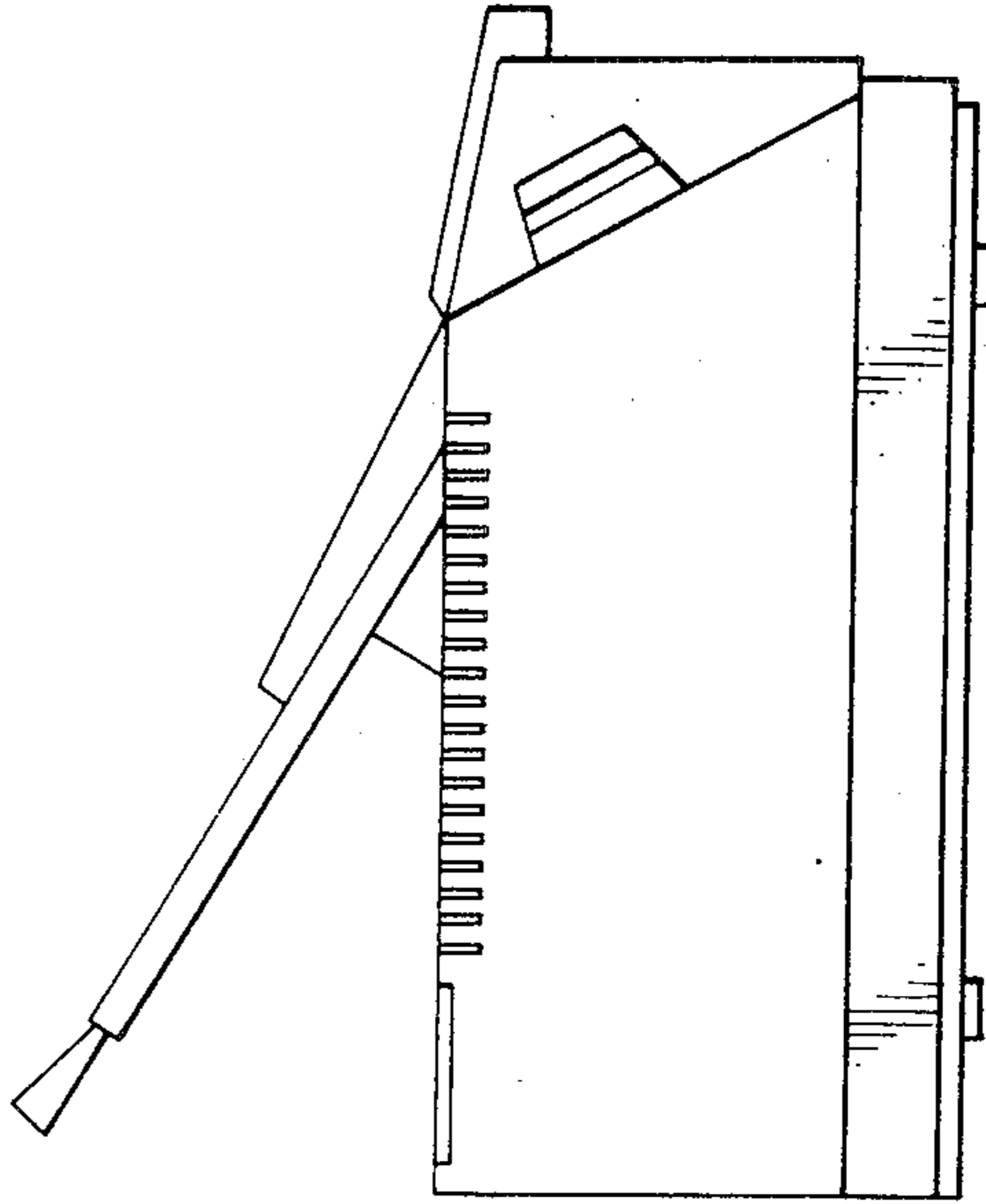


FIG. 6

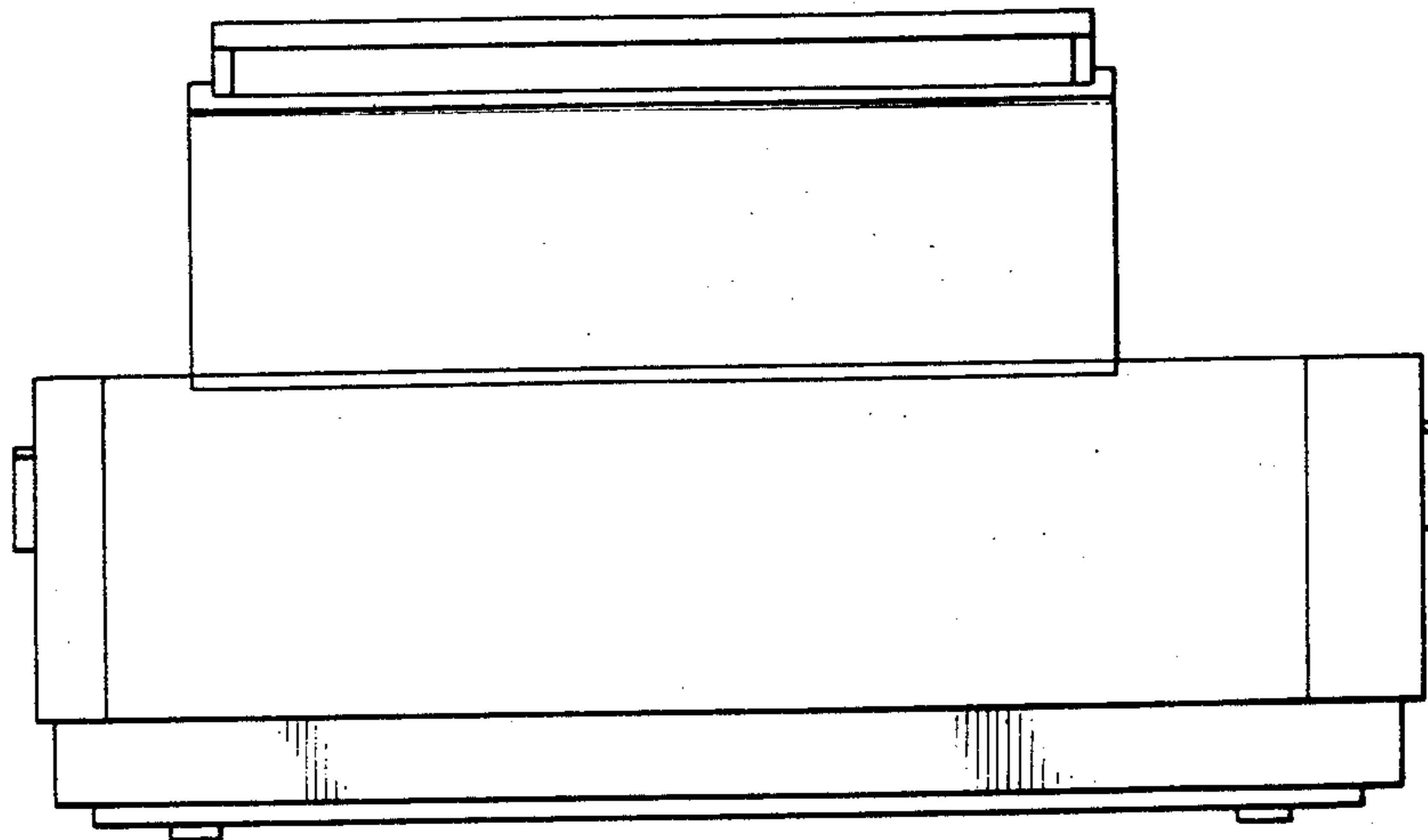


FIG. 7

