

[54] TWEETER

[75] Inventor: Helio T. Bittencourt, Sao Paulo, Brazil

[73] Assignee: Eletro-Acustica S.A., Brazil

[\*\*] Term: 14 Years

[21] Appl. No.: 630,644

[22] Filed: Jul. 13, 1984

[52] U.S. Cl. .... D14/30

[58] Field of Search ..... D14/30, 32, 33, 34, D14/37, 1; 181/197, 198; 381/24

[56] References Cited

U.S. PATENT DOCUMENTS

D. 188,542	8/1960	Levy et al. ....	D14/30
D. 244,698	6/1977	Babb .....	D14/37
D. 270,909	10/1983	Iijima .....	D14/30
D. 282,065	1/1986	Piercy .....	D14/34 X

OTHER PUBLICATIONS

"High Fidelity Home Music Systems" by Altec Lansing Corp., p. 10, Speaker #803A top right on page. Bose Flyer of Model 601 printed 3/79, p. 4, Tweeter on page.

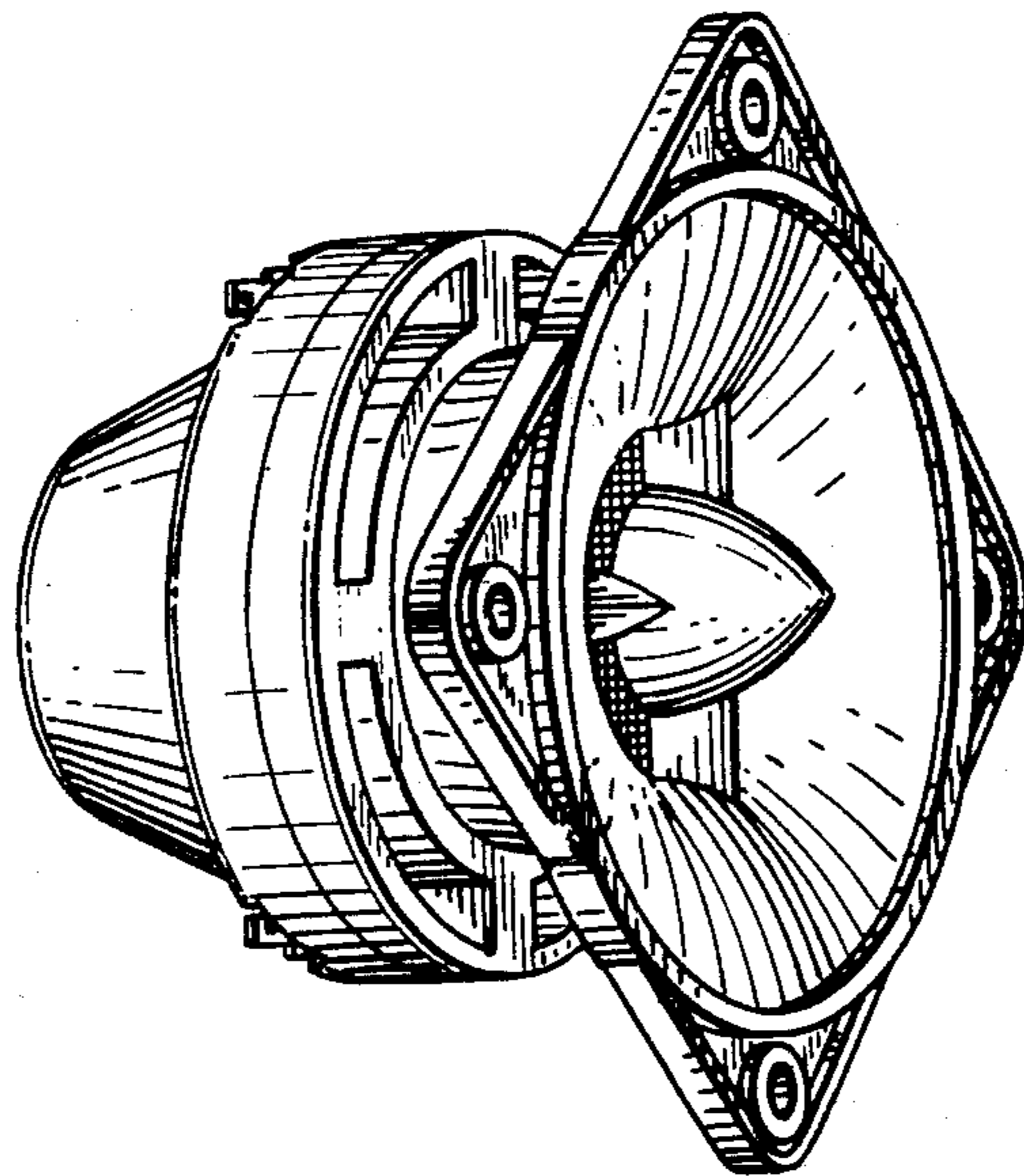
Primary Examiner—Carmen H. Vales  
Attorney, Agent, or Firm—Steinberg & Raskin

[57] CLAIM

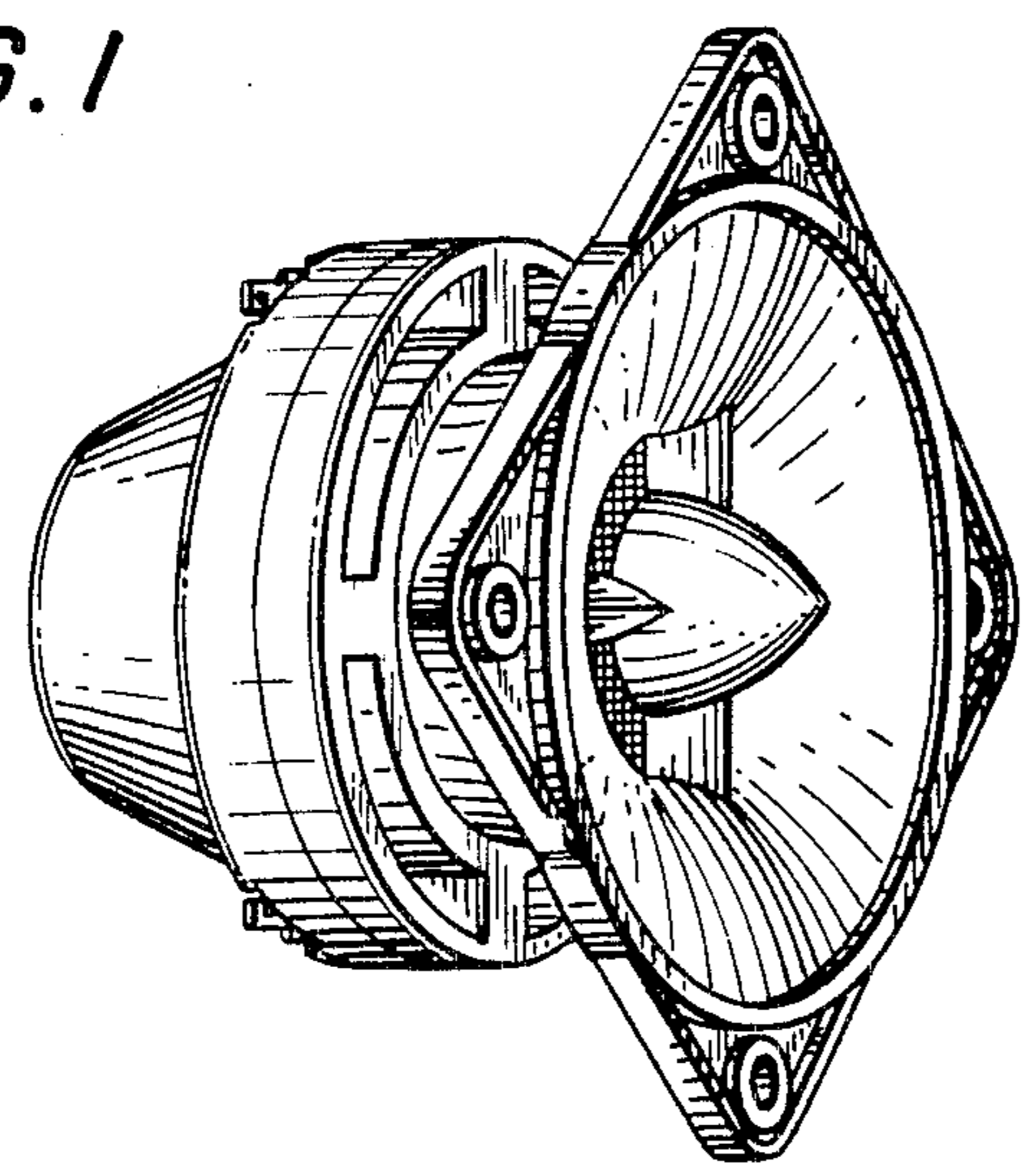
The ornamental design for a tweeter, as shown and described.

DESCRIPTION

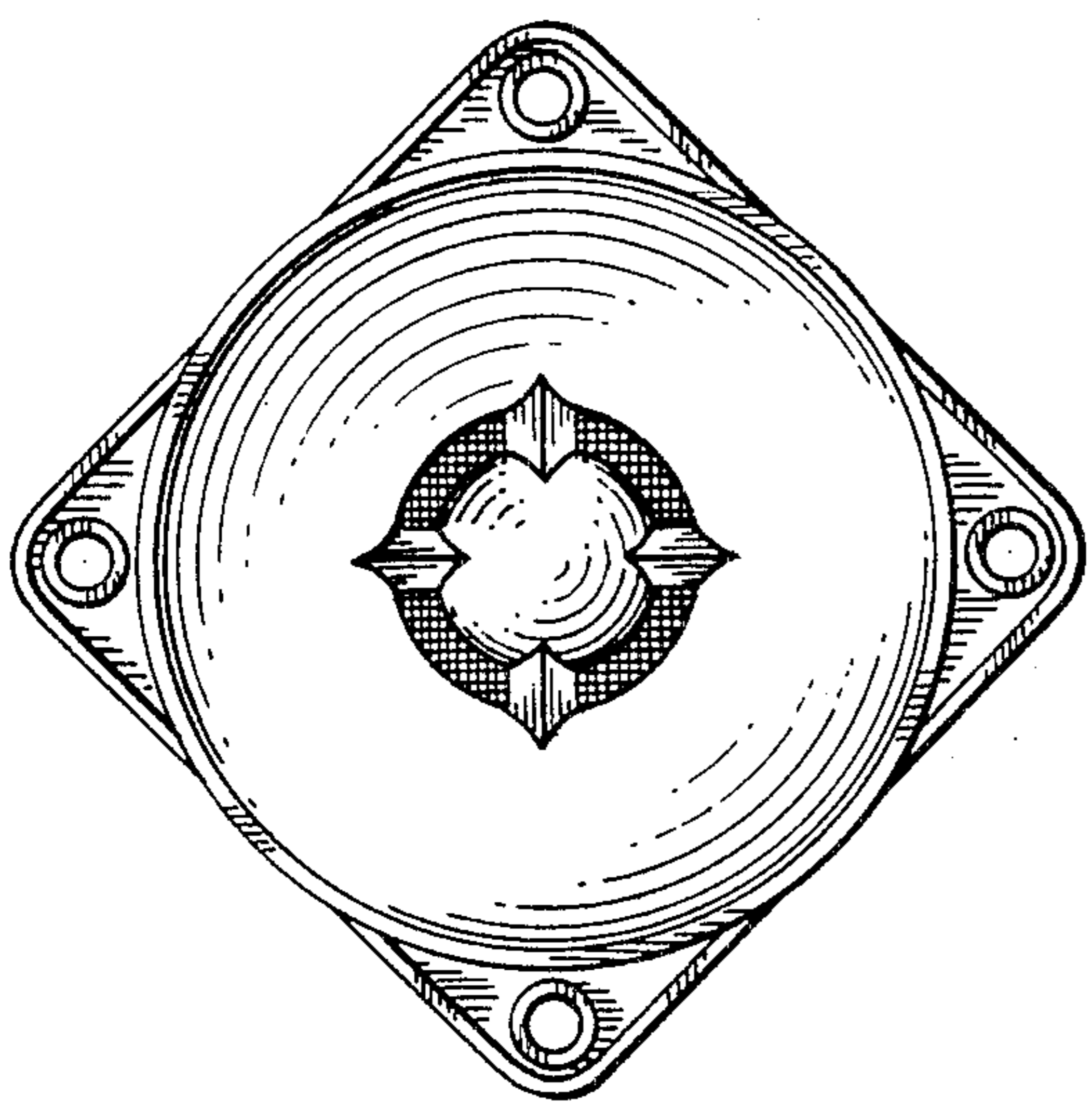
FIG. 1 is a perspective view of a tweeter showing my new design;  
FIG. 2 is a front elevational view thereof;  
FIG. 3 is a right side elevational view, the left side being a mirror image thereof;  
FIG. 4 is a rear elevational view thereof; and  
FIG. 5 is a top plan view, the bottom plan view being a mirror image thereof.



*FIG. 1*



*FIG. 2*



*FIG. 3*

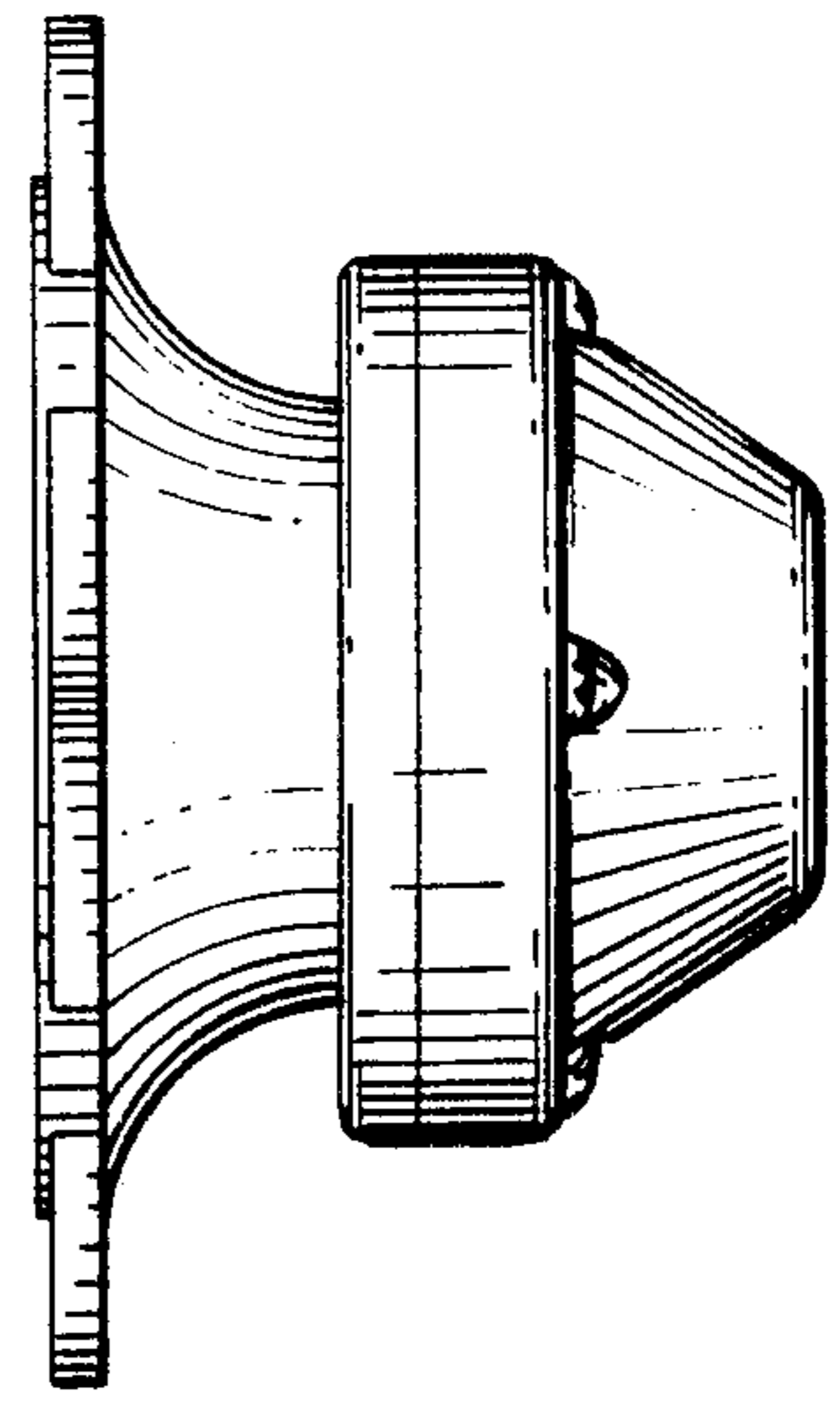


FIG. 4

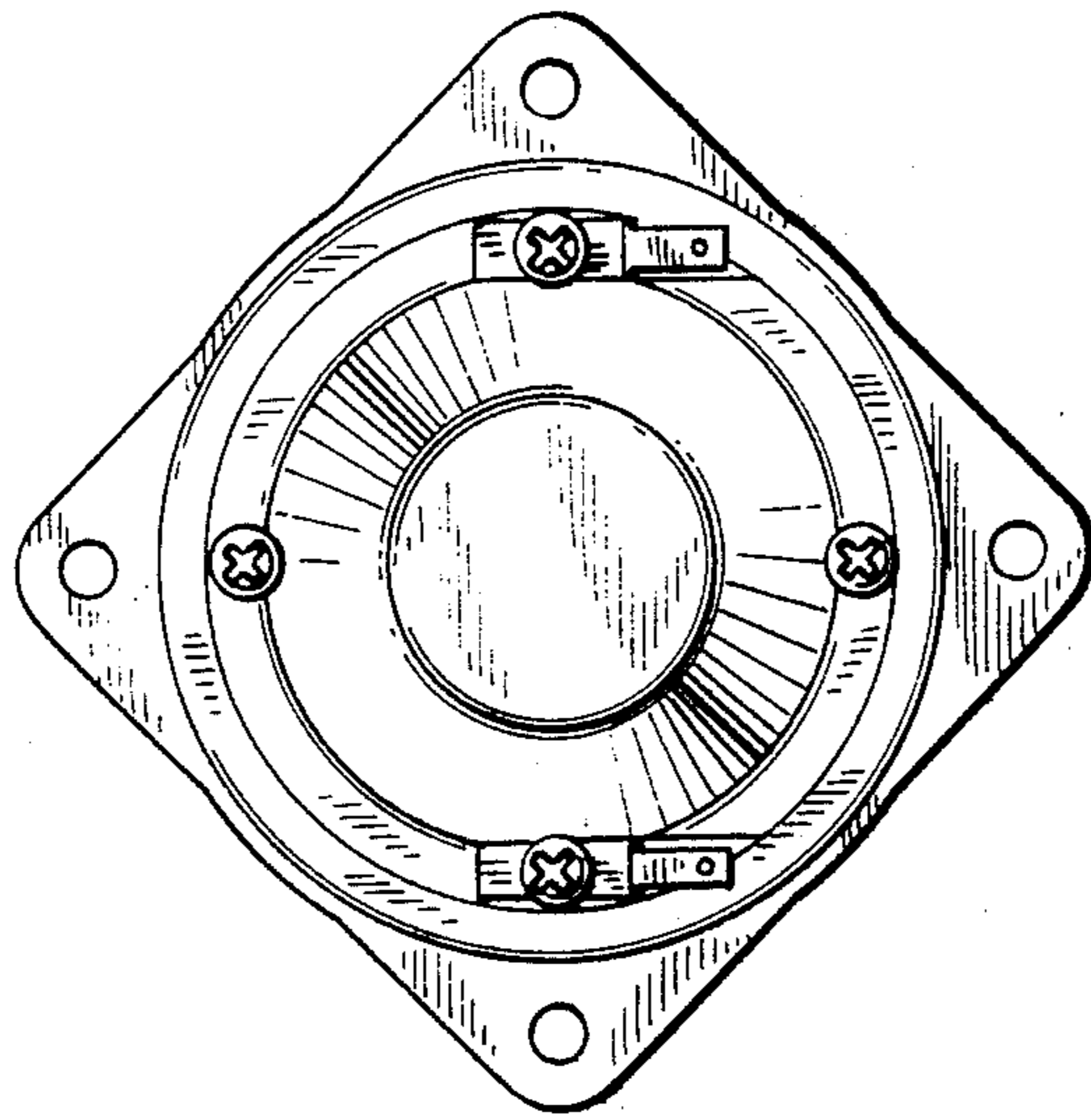


FIG. 5

