

[54] **LOUDSPEAKER**

[76] **Inventor: Ronald Olsen, P.O. Box 616, Union Station, Endicott, N.Y. 13760**

[**] **Term: 14 Years**

[21] **Appl. No.: 559,727**

[22] **Filed: Dec. 9, 1983**

[52] **U.S. Cl. D14/30; D14/33**

[58] **Field of Search D14/30, 32-34; 181/150, 153, 199; 381/88, 90**

[56] **References Cited**

U.S. PATENT DOCUMENTS

- 2,955,669 10/1960 Rice 181/199
- 4,083,426 4/1978 Peugh 181/199 X
- 4,299,304 11/1981 Rebsch 181/199 X

FOREIGN PATENT DOCUMENTS

- 913655 9/1946 France 181/199

Primary Examiner—Charles A. Rademaker

Assistant Examiner—Theodore M. Shooman
Attorney, Agent, or Firm—Ralph R. Barnard; Michael F. Brown

[57] **CLAIM**

The ornamental design for a loudspeaker, as shown.

DESCRIPTION

FIG. 1 is a front elevational view of a loudspeaker showing my new design, shown with additional speakers mounted on the face;

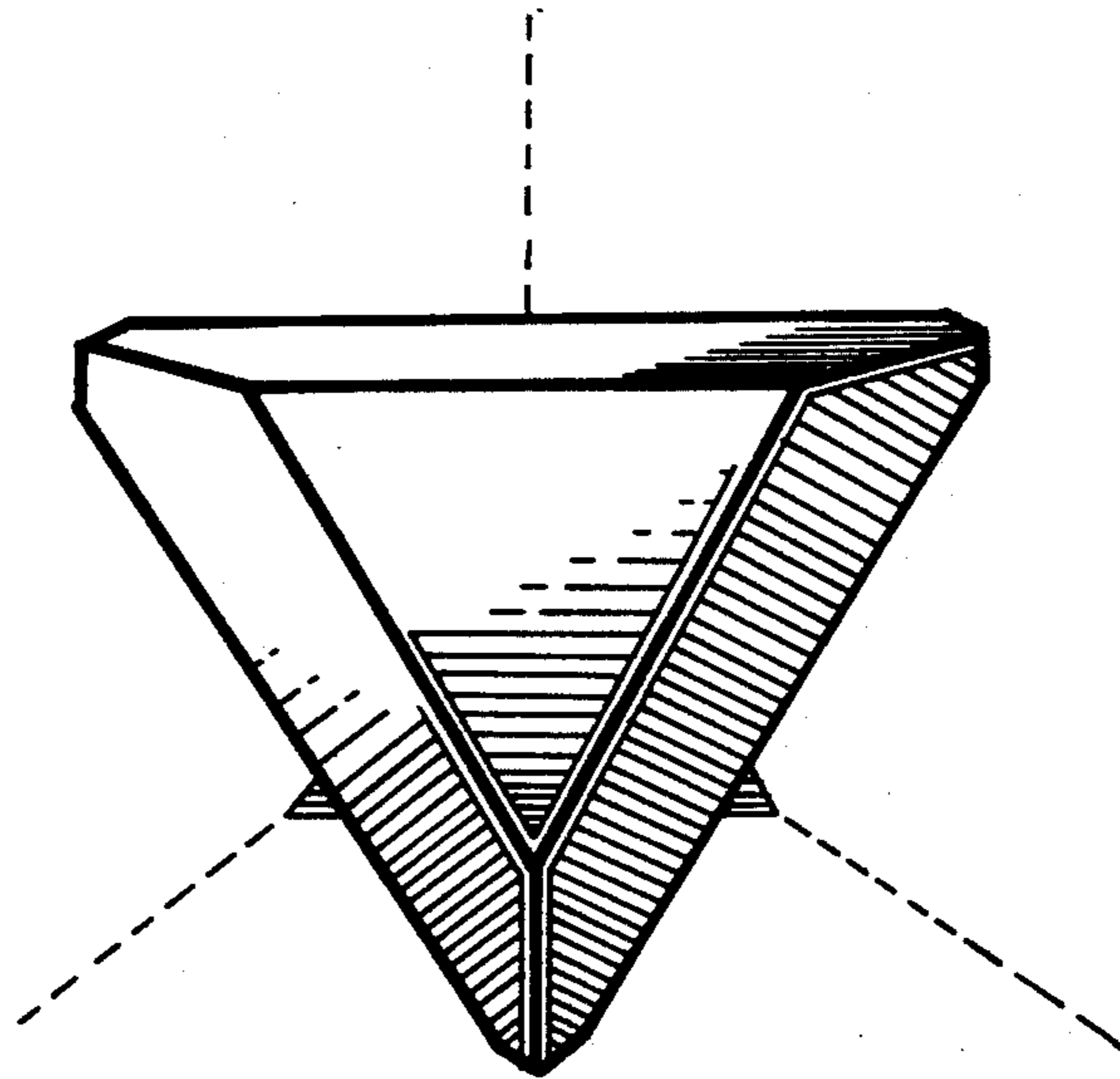
FIG. 2 is a front elevational view thereof;

FIG. 3 is a side elevational view thereof, the opposite side being identical;

FIG. 4 is a top, front and side isometric view thereof; and

FIG. 5 is a bottom, front and side isometric view thereof.

The broken line showing of additional speakers on top of the claimed loudspeaker in FIG. 1 and the corner of the room in FIGS. 1 and 2 is for illustrative purposes only and forms no part of the claimed design.



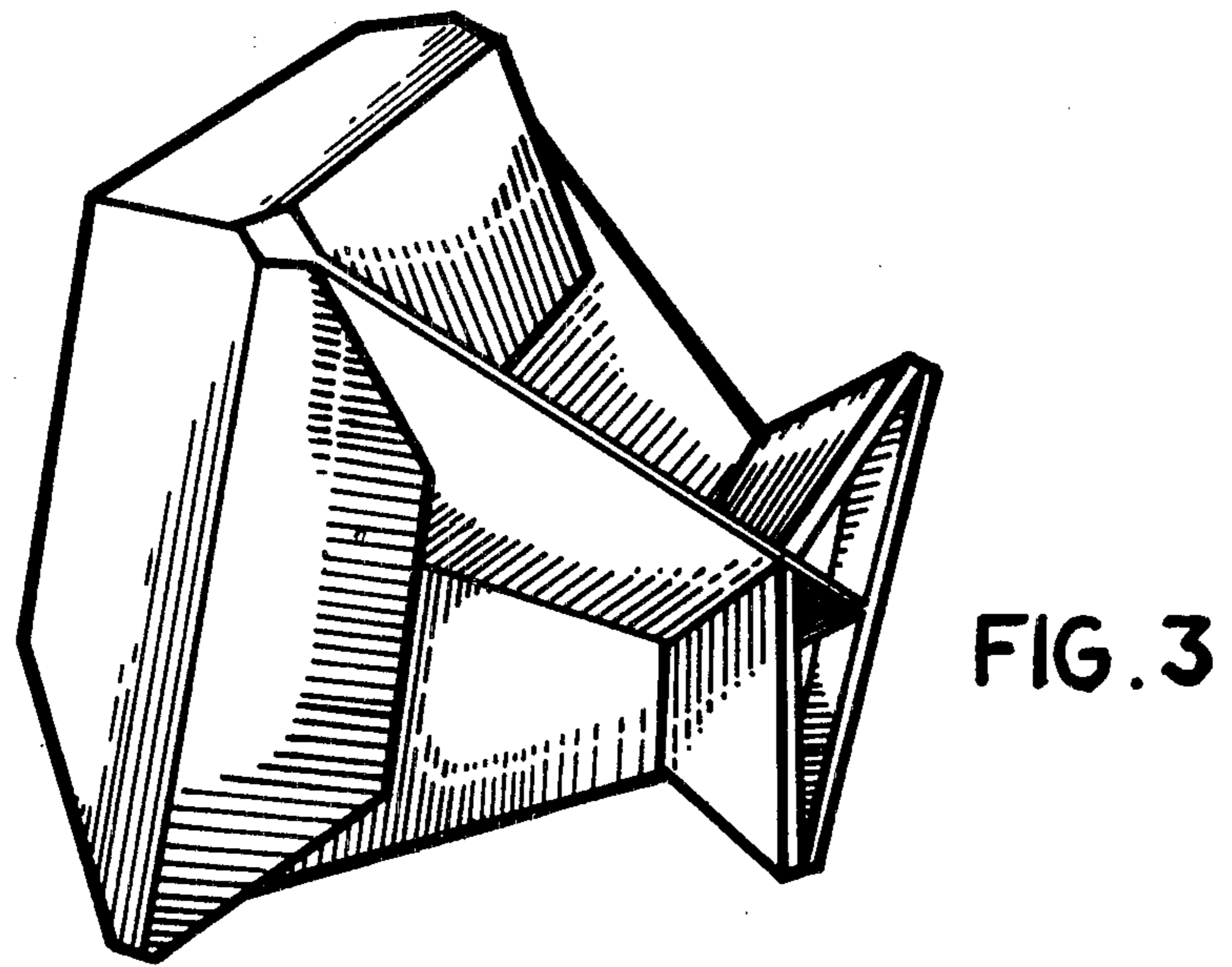
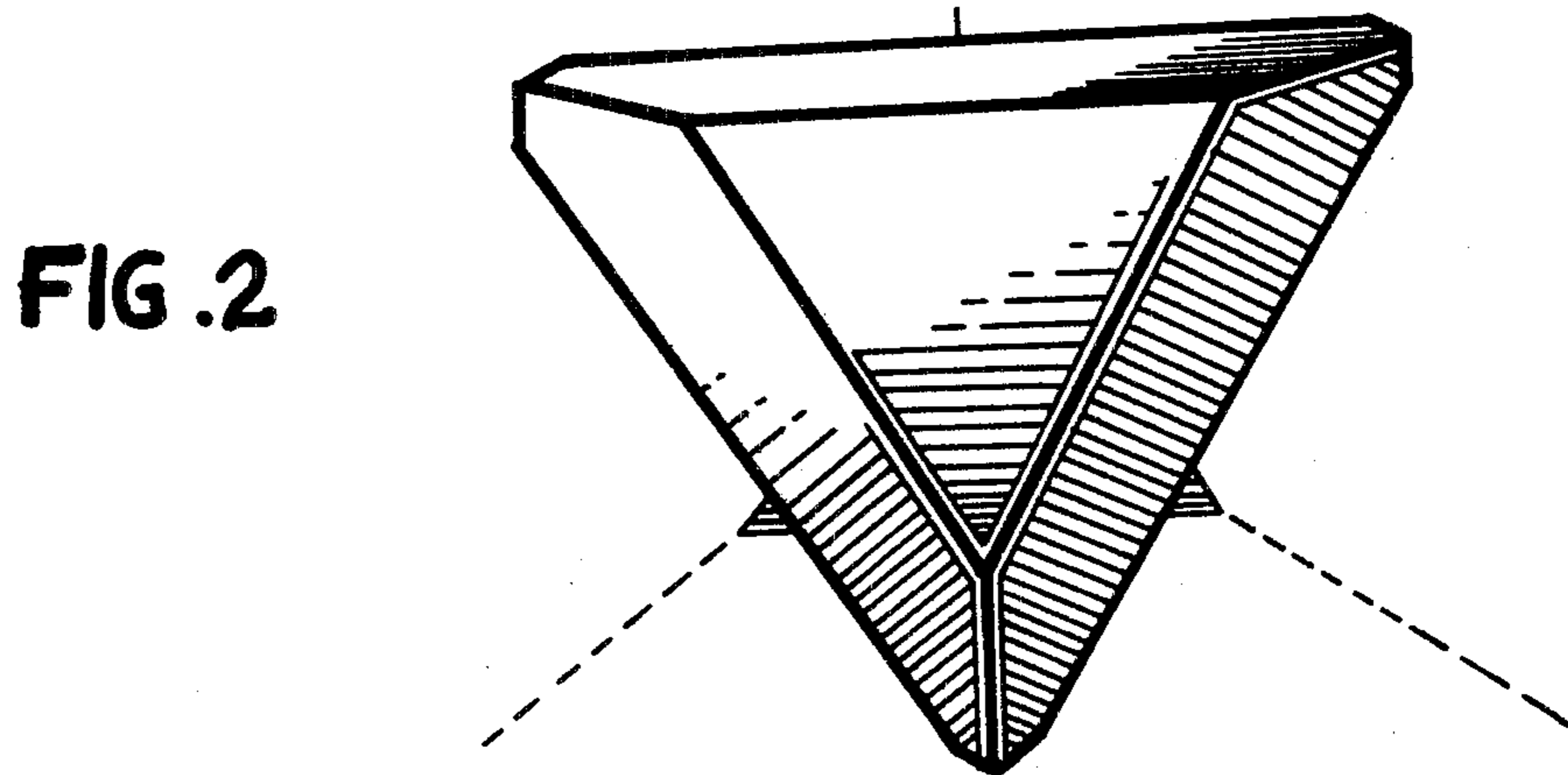
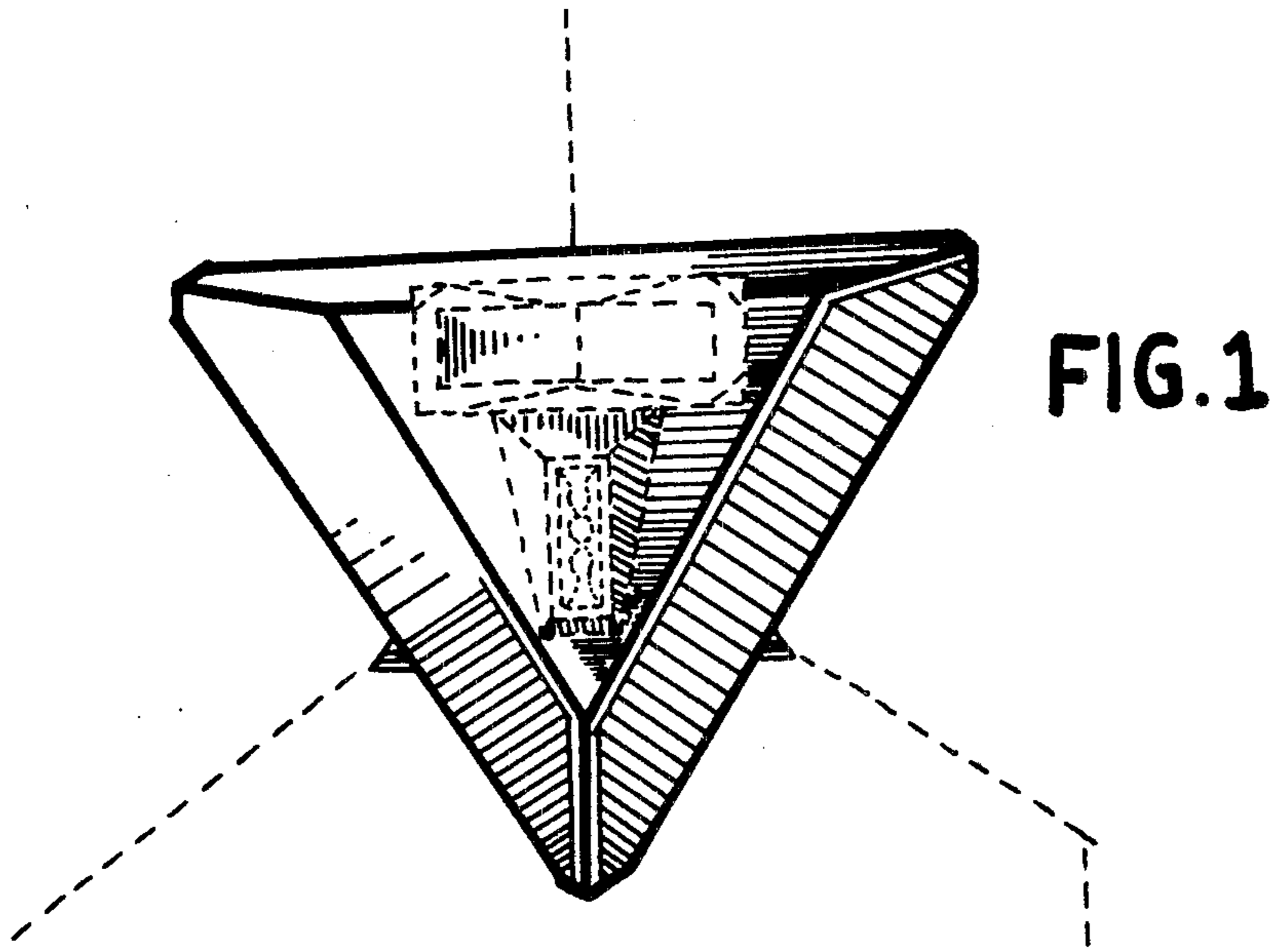


Fig. 4

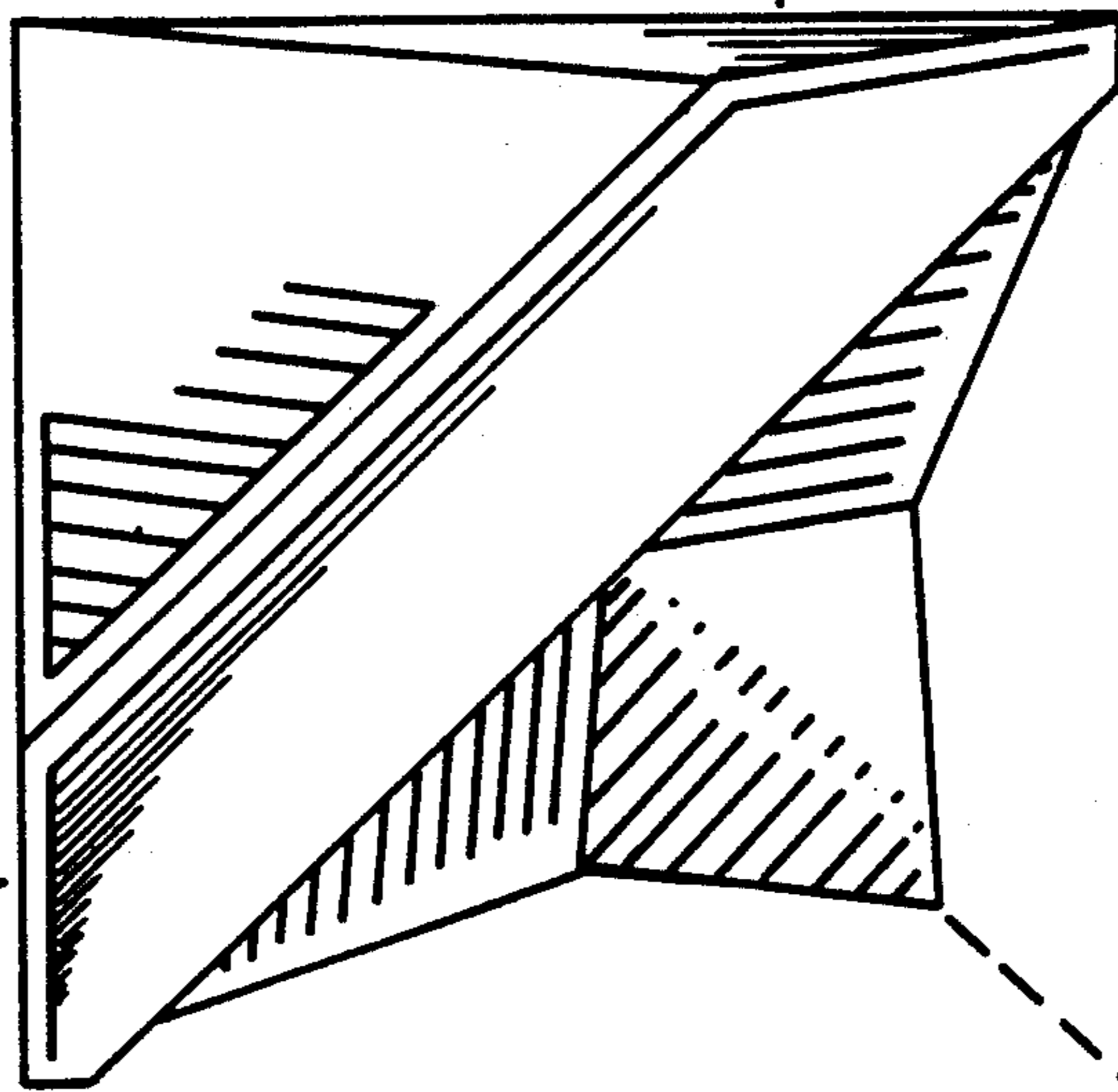


Fig. 5

