

[54] FRONT CONTROL PANEL FOR A COMBINED VEHICULAR CASSETTE PLAYER AND RADIO RECEIVER

[75] Inventor: John Stoddard, London, England

[73] Assignee: Ford Motor Company, Dearborn, Mich.

[**] Term: 14 Years

[21] Appl. No.: 664,679

[22] Filed: Oct. 25, 1984

[52] U.S. Cl. D14/10; D14/7; D14/76; D14/68

[58] Field of Search D14/1, 2, 5, 6, 7, 10, D14/99; 455/345, 346

[56] References Cited

U.S. PATENT DOCUMENTS

- D. 264,333 5/1982 Hisatsume D14/7
- D. 264,334 5/1982 Hisatsume D14/7

- D. 266,418 10/1982 Kikuhara D14/7
- D. 278,430 4/1985 van de Poel D14/7 X
- D. 279,000 5/1985 Sarges D14/7 X

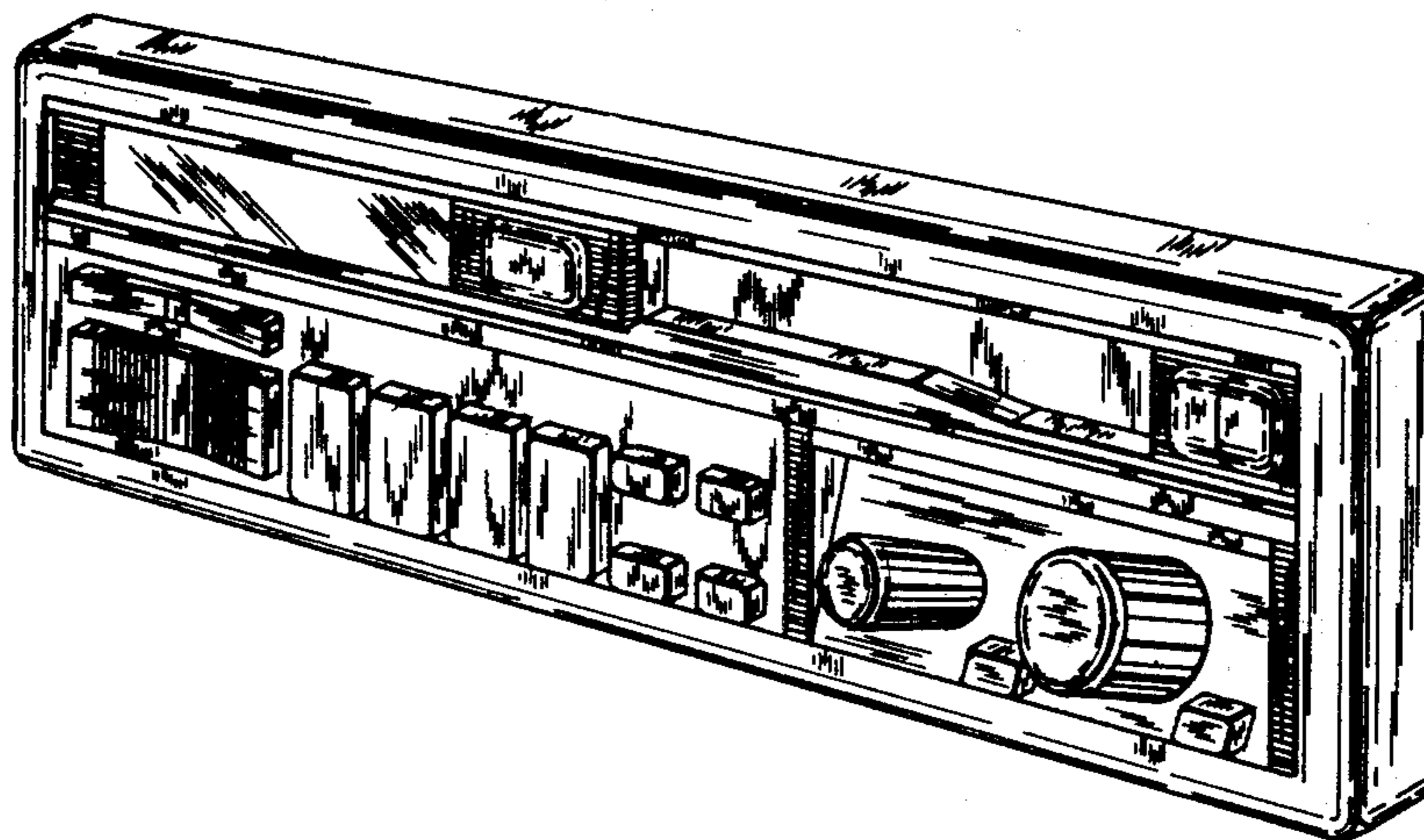
Primary Examiner—Bernard Ansher
Assistant Examiner—Theodore M. Shooman
Attorney, Agent, or Firm—Paul K. Godwin, Jr.; Clifford L. Sadler

[57] CLAIM

The ornamental design for a front control panel for a combined vehicular cassette player and radio receiver, as shown and described.

DESCRIPTION

FIG. 1 is a top, front and right side perspective view of a front control panel for a combined vehicular cassette player and radio receiver showing my new design; FIG. 2 is a top plan view thereof; FIG. 3 is a front elevational view thereof; FIG. 4 is a bottom plan view thereof; FIG. 5 is a left side elevational view thereof; and FIG. 6 is a right side elevational view thereof.



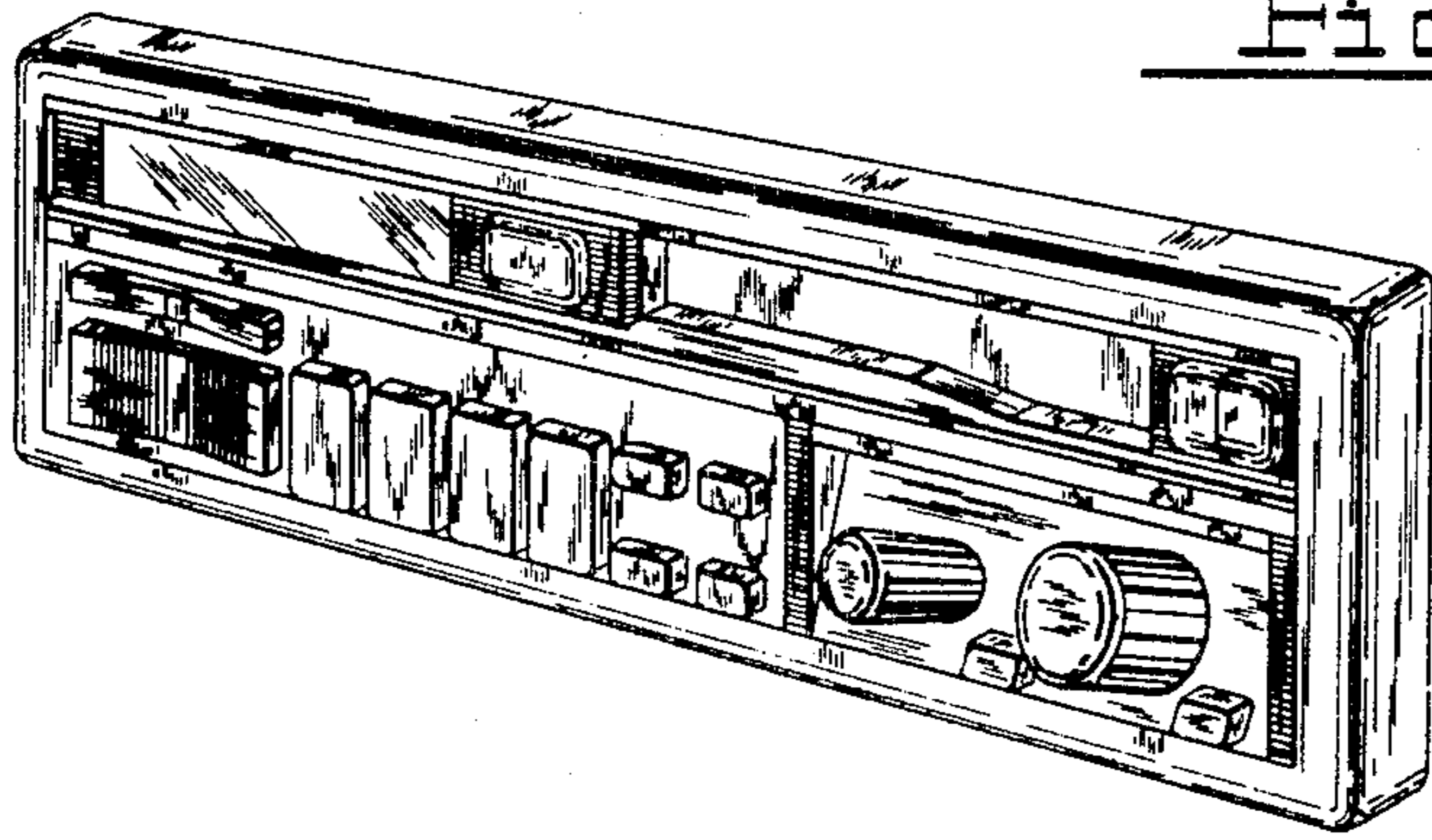


Fig. 1.

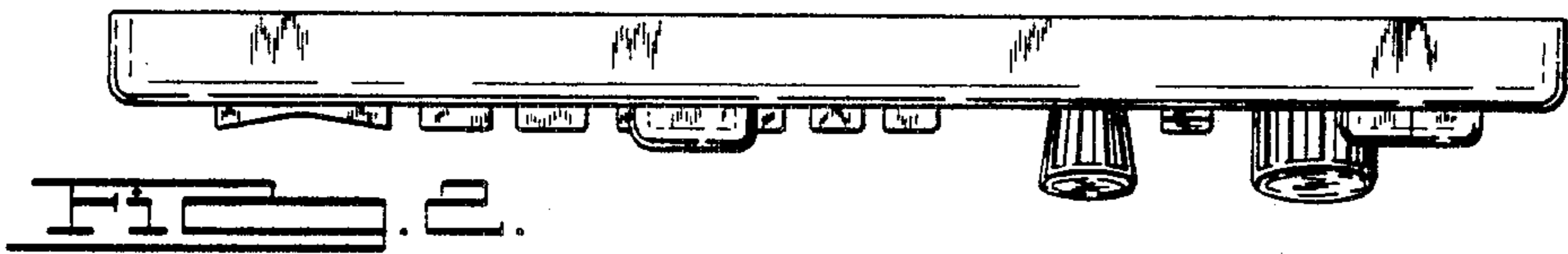


Fig. 2.

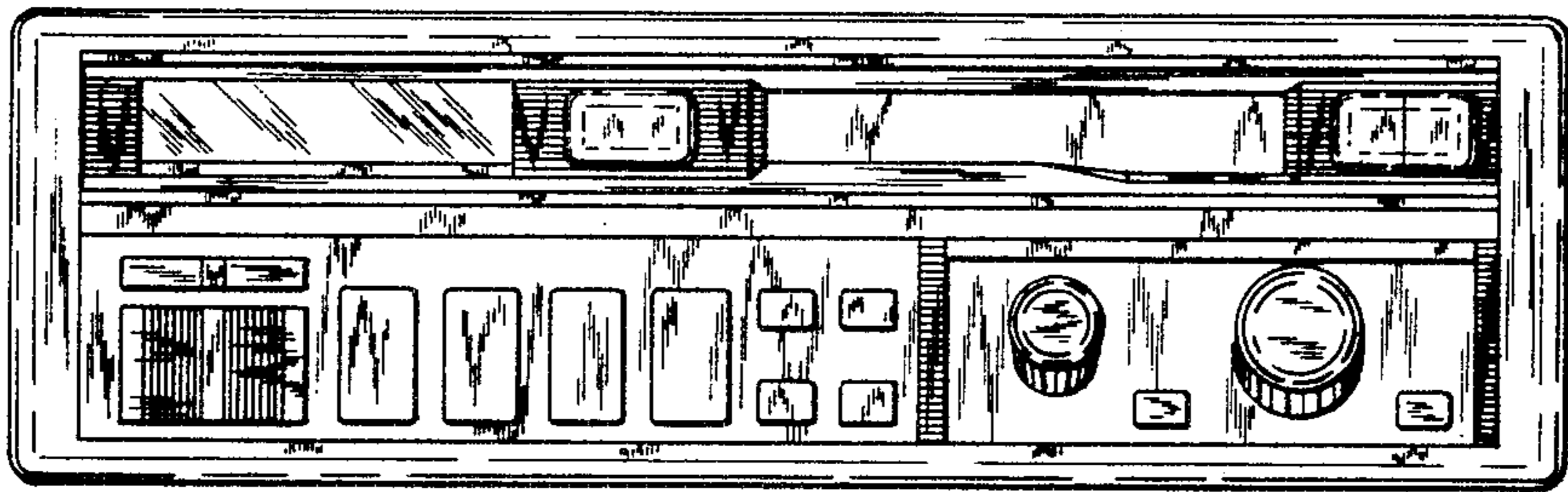


Fig. 3.

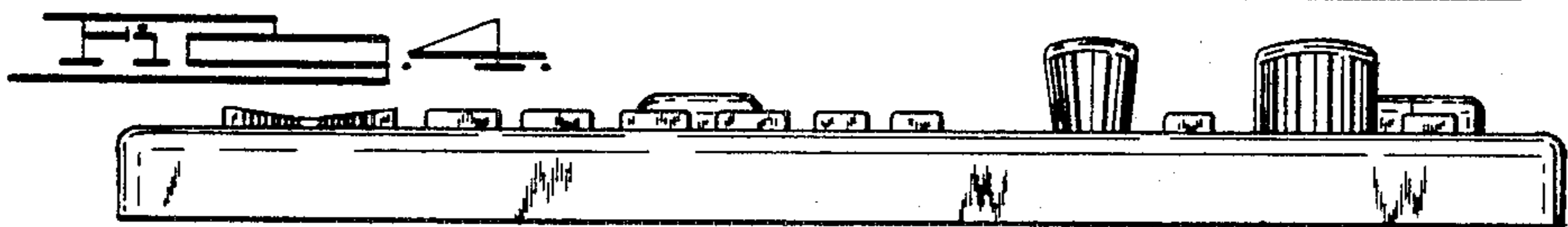


Fig. 4.

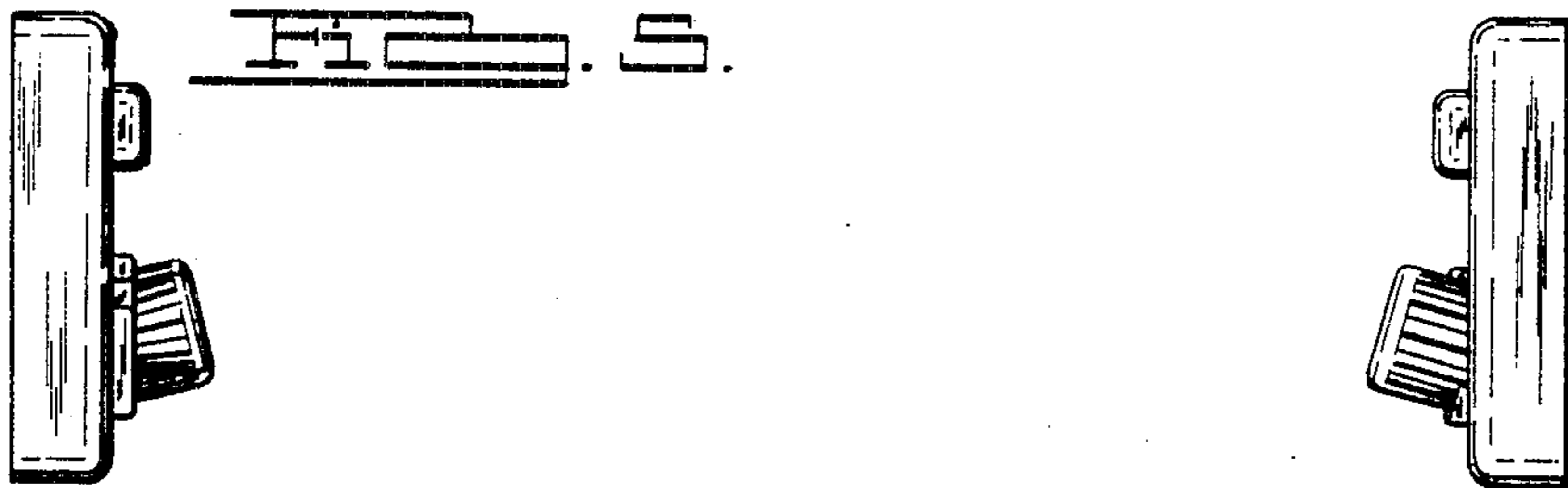


Fig. 5.

Fig. 6.