

[54] CABINET FOR ELECTRICAL COMPONENTS

[75] Inventor: Louis L. Lepoix, Baden-Baden, Fed. Rep. of Germany

[73] Assignee: Rittal-Werk Rudolf Loh GmbH & Co. KG, Fed. Rep. of Germany

[\*\*] Term: 14 Years

[21] Appl. No.: 632,193

[22] Filed: Jul. 18, 1984

[30] Foreign Application Priority Data

Jan. 21, 1984 [DE] Fed. Rep. of Germany ..... MR 350

[52] U.S. Cl. .... D13/40

[58] Field of Search ..... D13/12, 32-33, D13/35, 40-41, 99; D14/18-19, 104, 102-103; D6/445-446; D10/46, 49, 75, 80, 96; 312/107-109, 111; 174/48, 50, 50.52, 65, 52 R, 68 C; 361/380, 390

[56] References Cited

U.S. PATENT DOCUMENTS

D. 158,930 6/1950 Burgold ..... D6/446

D. 210,588	3/1968	Mazza	.....	D14/102
D. 224,320	7/1972	Davis	.....	D14/102
D. 227,059	6/1973	Allen	.....	D6/446
D. 236,357	8/1975	Clayton	.....	D14/102
D. 236,491	8/1975	Siegel et al.	.....	D14/102
D. 250,187	11/1978	Zierhut	.....	D14/102
D. 258,131	2/1981	Genero et al.	.....	D6/446

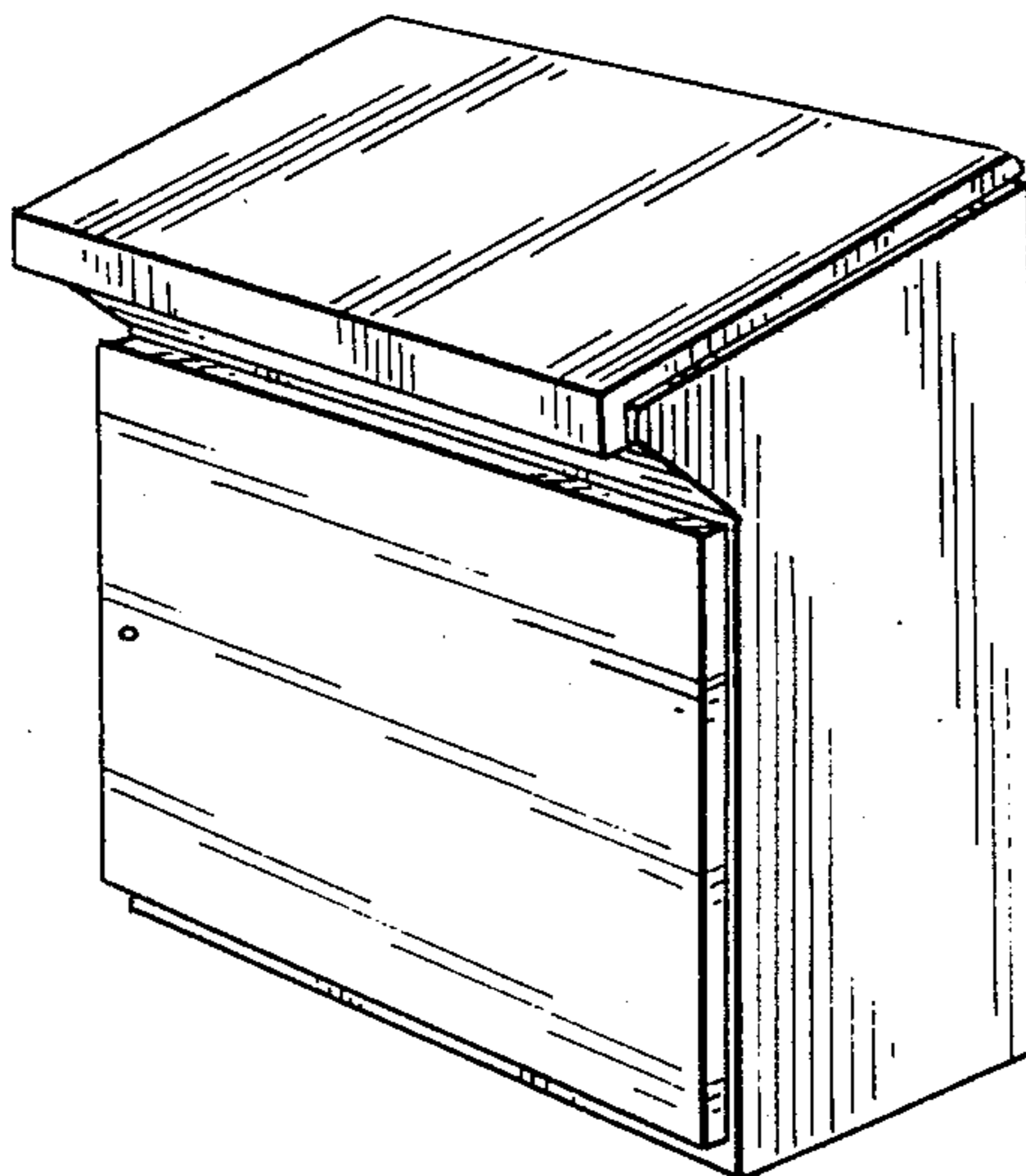
Primary Examiner—Wallace R. Burke  
Assistant Examiner—Ruth E. Takemoto  
Attorney, Agent, or Firm—Thomas W. Speckman

[57] CLAIM

The ornamental design for a cabinet for electrical components, substantially as shown.

DESCRIPTION

FIG. 1 is a front elevational view of a cabinet for electrical components showing our new design; FIG. 2 is a side elevational view thereof, the opposite side being a mirror image; FIG. 3 is a top, front and side perspective view thereof; and FIG. 4 is a front elevational view of a second embodiment of a cabinet for electrical components, the undisclosed sides being identical to FIG. 2. The undisclosed rear is flat and unornamented.



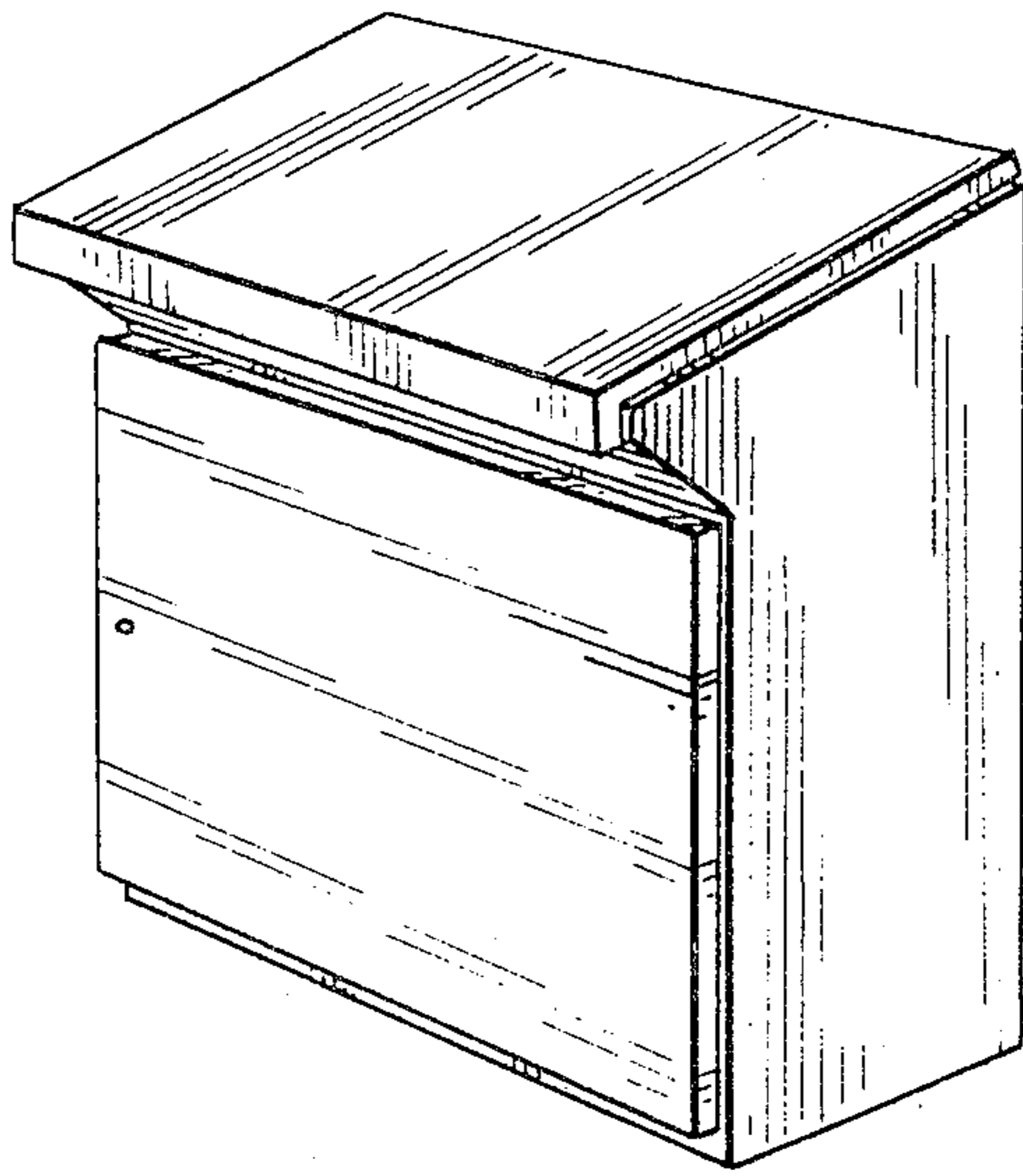


FIG. 3

FIG. 1

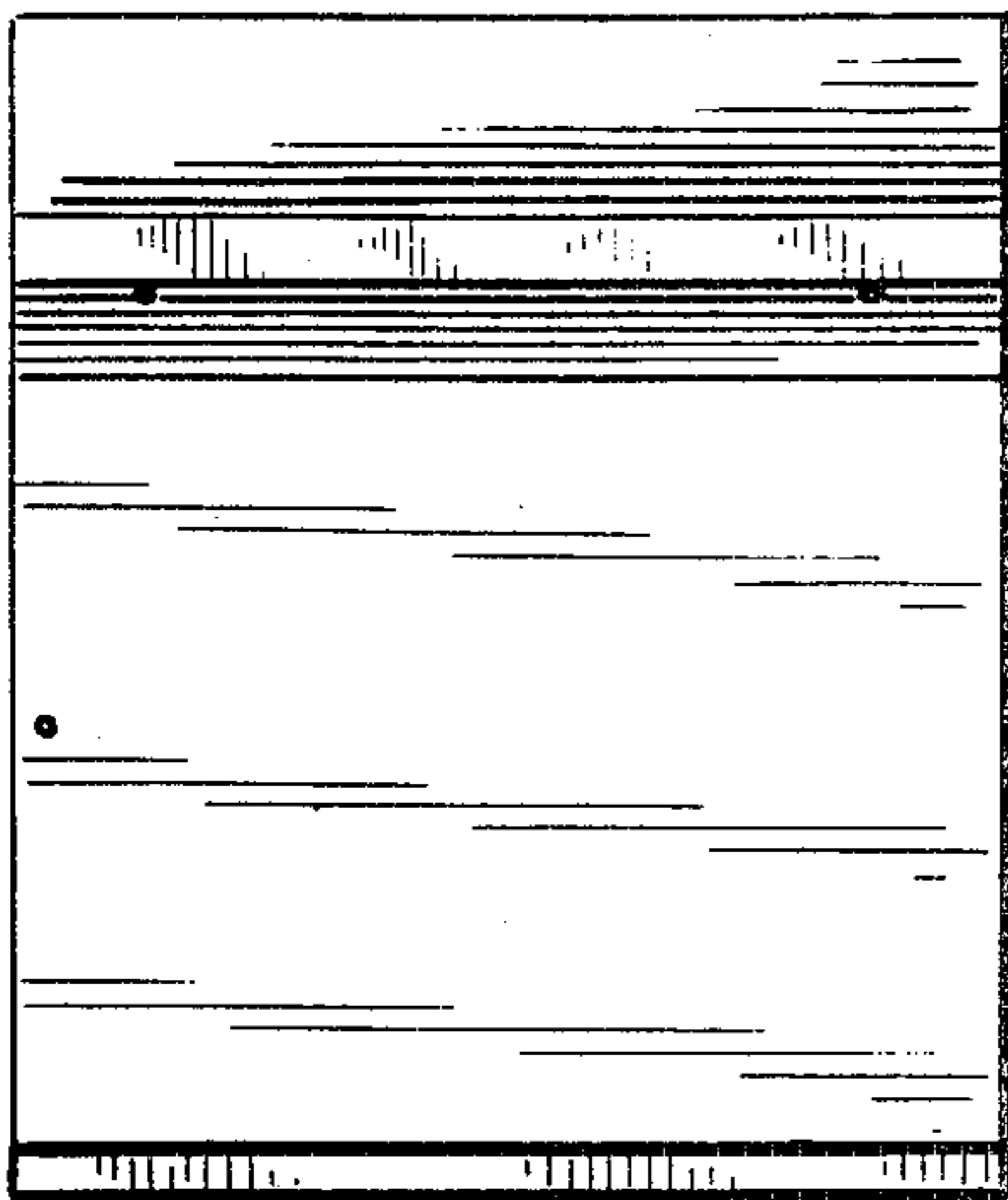


FIG. 2

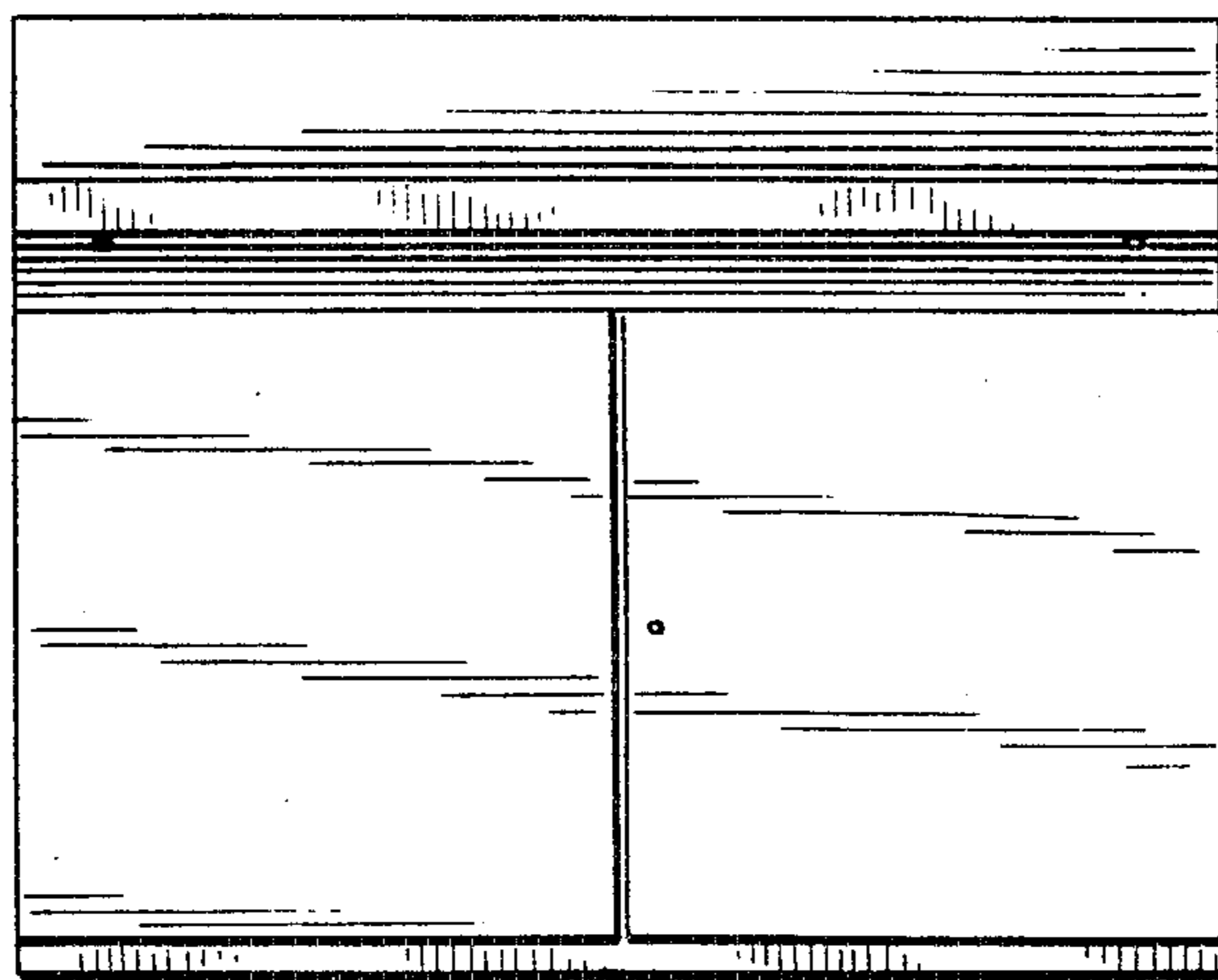
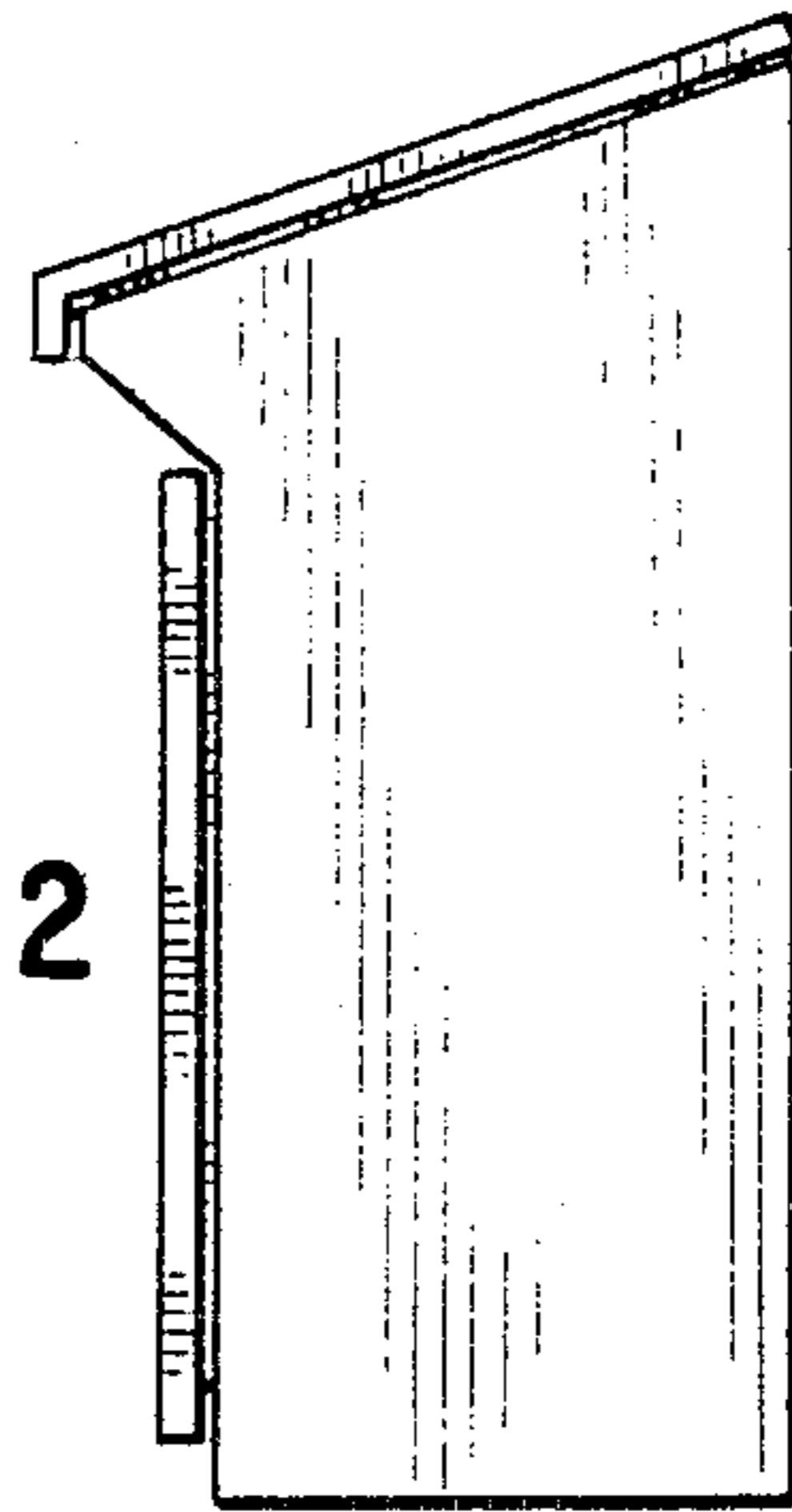


FIG. 4