

[54] VOLTAGE TRANSFORMER

[75] Inventors: David N. Makinson, Franklin, N.C.;
Karl W. Struck, Clayton, Ga.

[73] Assignee: Sangamo Weston, Inc., Norcross, Ga.

[**] Term: 14 Years

[21] Appl. No.: 595,177

[22] Filed: Mar. 30, 1984

[52] U.S. Cl. D13/4

[58] Field of Search D13/2-4,
D13/11, 13, 24, 30, 40-41; 200/5 R, 293-294,
297, 302.1, 302.2, 333-334; 336/83-84, 90, 92,
173-176; 174/50, 52 R, 53, 58-60, 65 R, 66-67;
361/331-332, 334, 346-347, 350, 356, 380,
390-392, 394; 220/3.2, 3.3, 241-242

[56] References Cited

U.S. PATENT DOCUMENTS

- D. 104,627 5/1937 Hitchcock et al. D13/4
- D. 215,447 9/1969 Canney D13/4
- D. 219,597 12/1970 Smith D13/4
- D. 254,846 4/1980 Wood D13/40

- D. 260,635 9/1981 Lockwood D13/4
- 1,645,165 10/1927 Shackelton 336/83
- 2,211,690 8/1940 Edwards 220/3.2
- 3,264,591 8/1966 D'Entremont 336/174
- 3,760,314 9/1973 Krasienko et al. 336/92

OTHER PUBLICATIONS

Allied Electronics 1975 Engineering Manual No. 750, p. 233, Transistor Transformer A and p. 235, Filament and Audio Transformers. C .

Primary Examiner—Wallace R. Burke
Assistant Examiner—Ruth E. Takemoto
Attorney, Agent, or Firm—Dale Gaudier

[57] CLAIM

The ornamental design for a voltage transformer, as shown.

DESCRIPTION

FIG. 1 is a perspective view of a voltage transformer showing our new design;
FIG. 2 is a rear view thereof;
FIG. 3 is a side view thereof; the opposite side being substantially identical; and
FIG. 4 is a bottom view thereof;

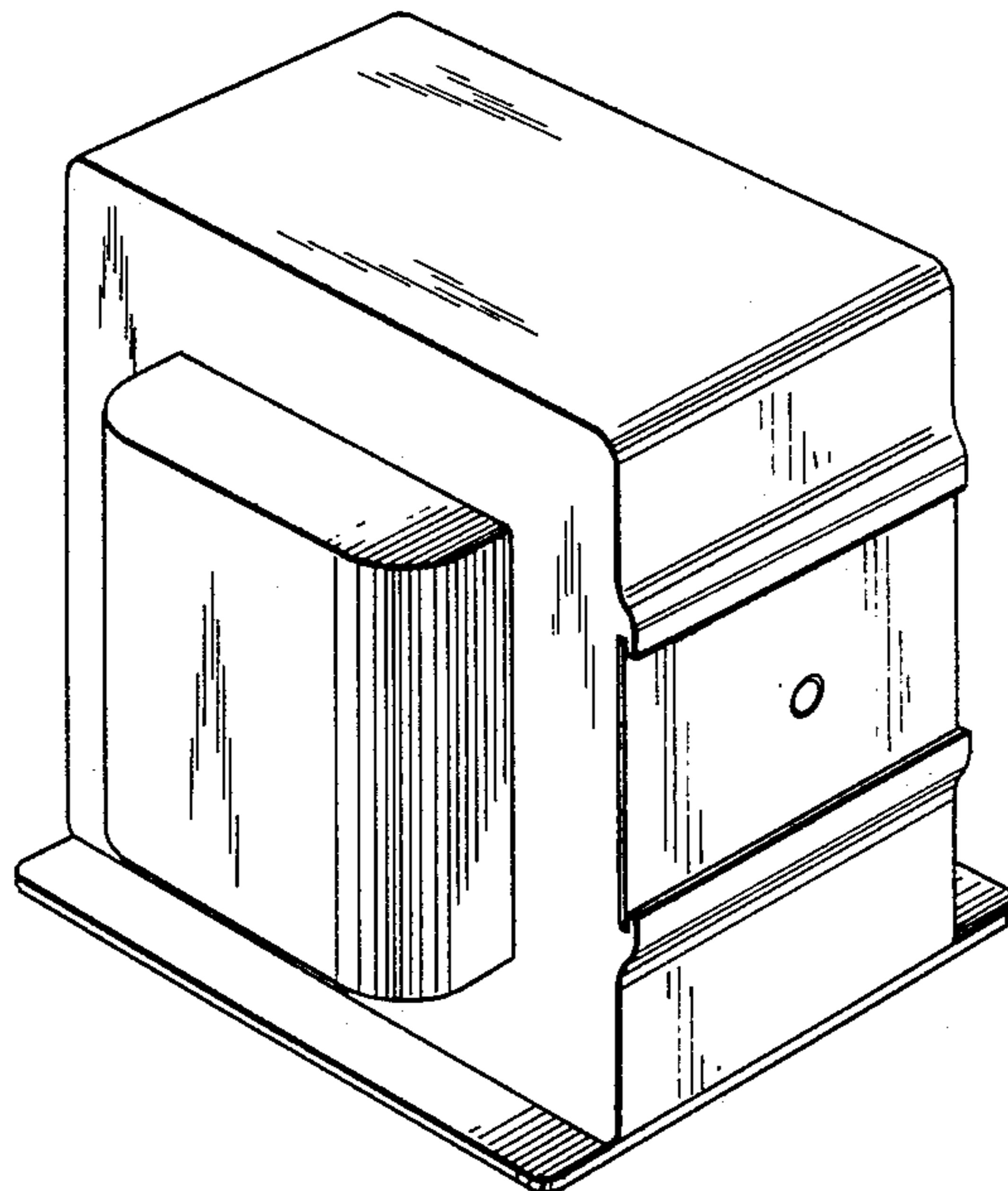


Fig. 1

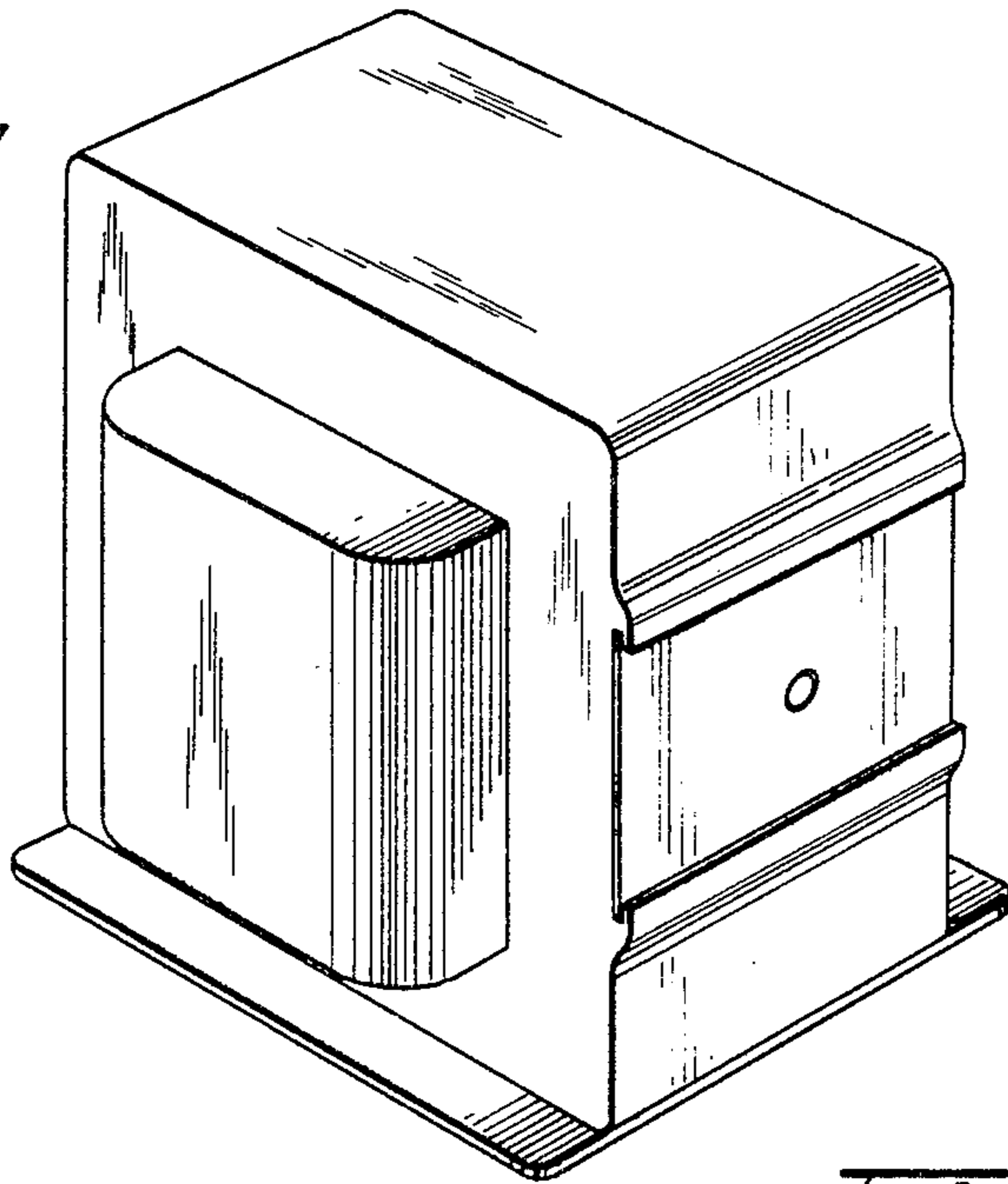


Fig. 2

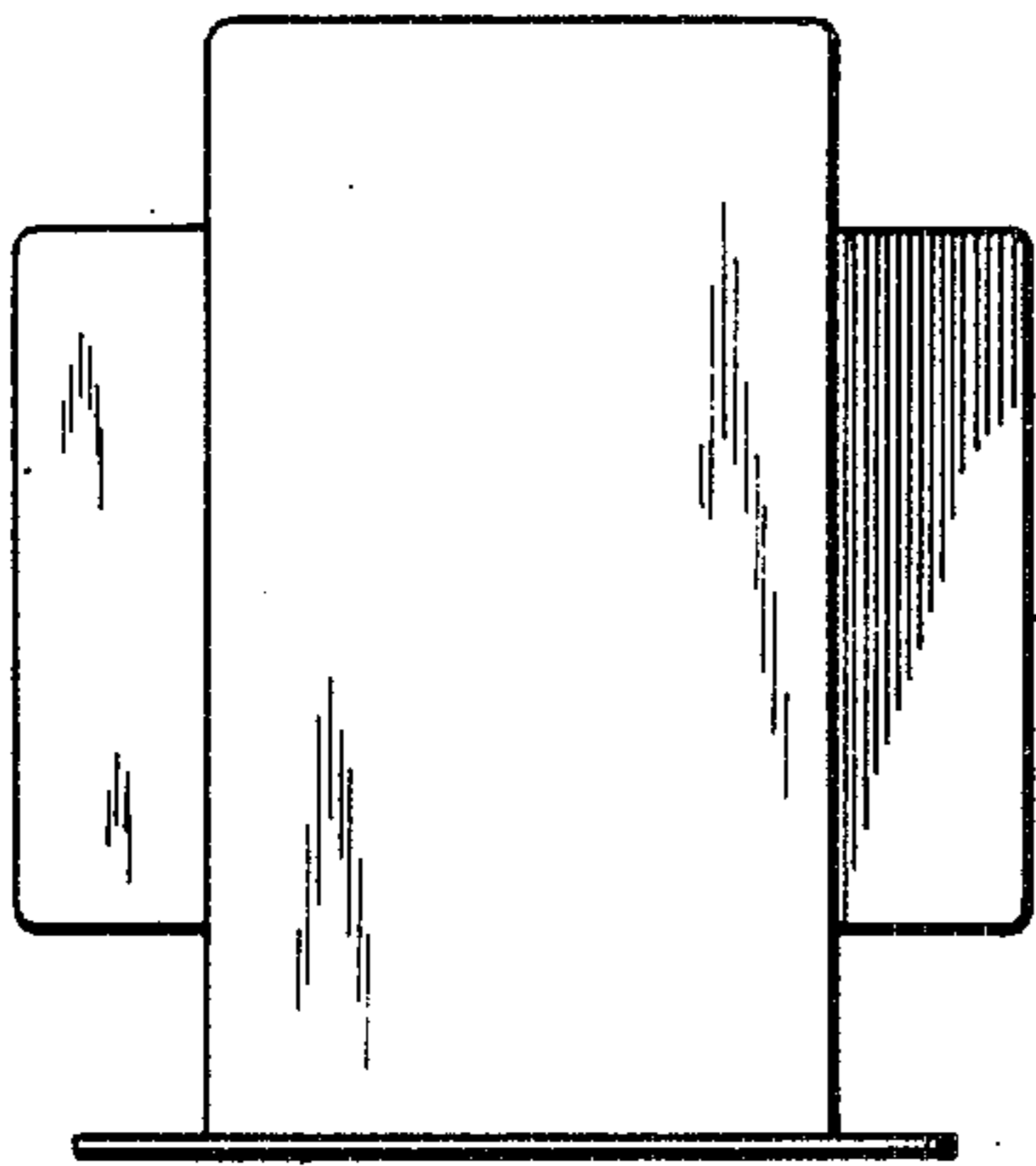


Fig. 3

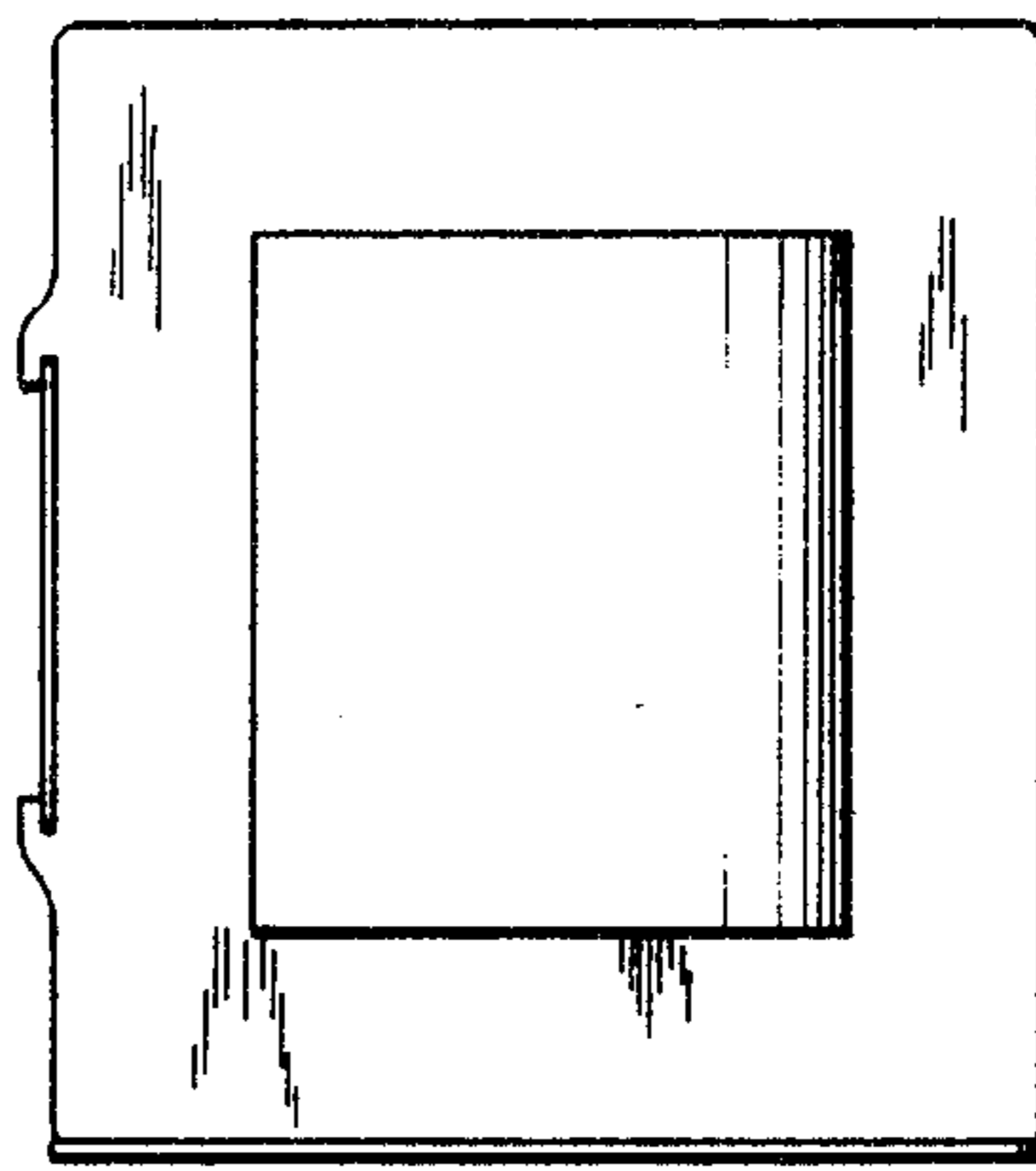


Fig. 4

