

[54] MOTORCYCLE SHIFTER ADAPTER

[76] Inventor: Lee A. Grandy, Rte. 3, Box 262,
Mena, Ark. 71953

[**] Term: 14 Years

[21] Appl. No.: 687,772

[22] Filed: Dec. 31, 1984

[52] U.S. Cl. D12/174

[58] Field of Search D12/114, 174; 74/512,
74/474; 280/291

[56] References Cited

U.S. PATENT DOCUMENTS

D. 270,823 10/1983 Mounts D12/114
4,083,263 4/1978 Lundquist 74/512

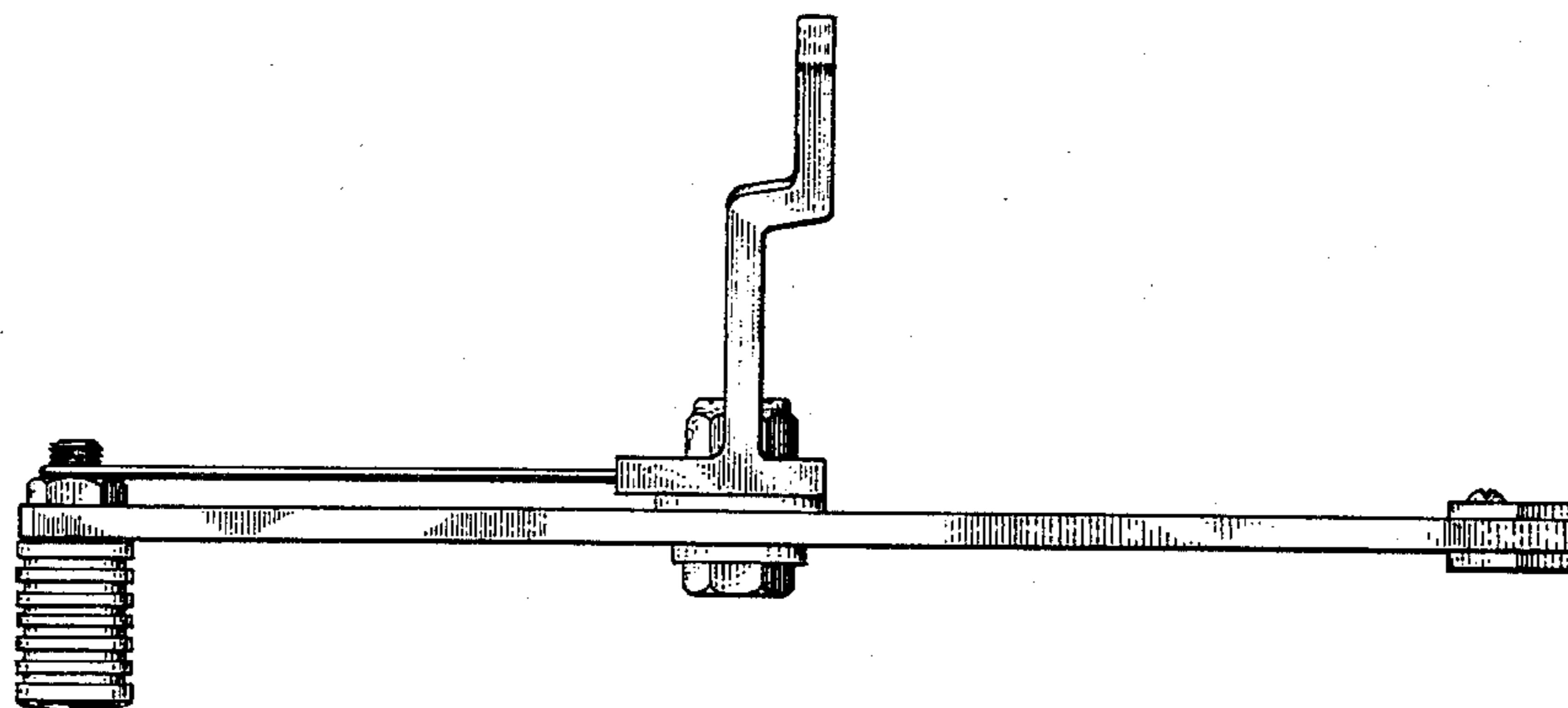
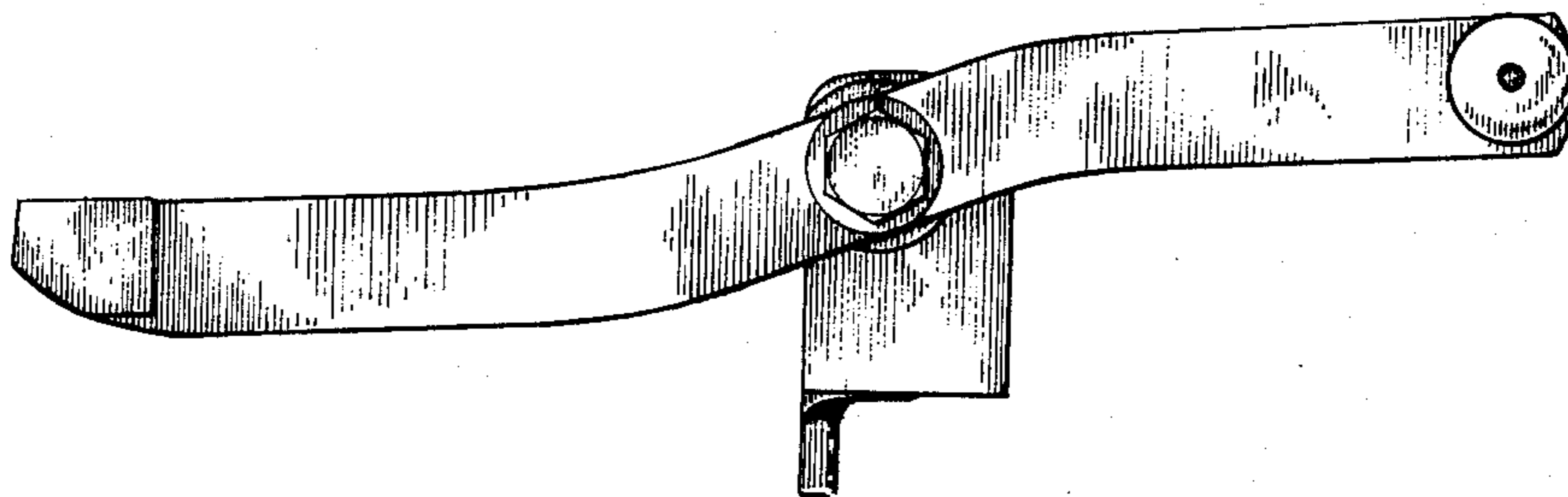
Primary Examiner—James M. Gandy
Attorney, Agent, or Firm—Robert R. Keegan

[57] CLAIM

The ornamental design for a motorcycle shifter adapter,
as shown.

DESCRIPTION

FIG. 1 is a left side elevation view of a motorcycle
shifter adapter showing my new design
FIG. 2 is a right side elevational view thereof
FIG. 3 is a bottom plan view thereof, and
FIG. 4 is a front elevational view thereof



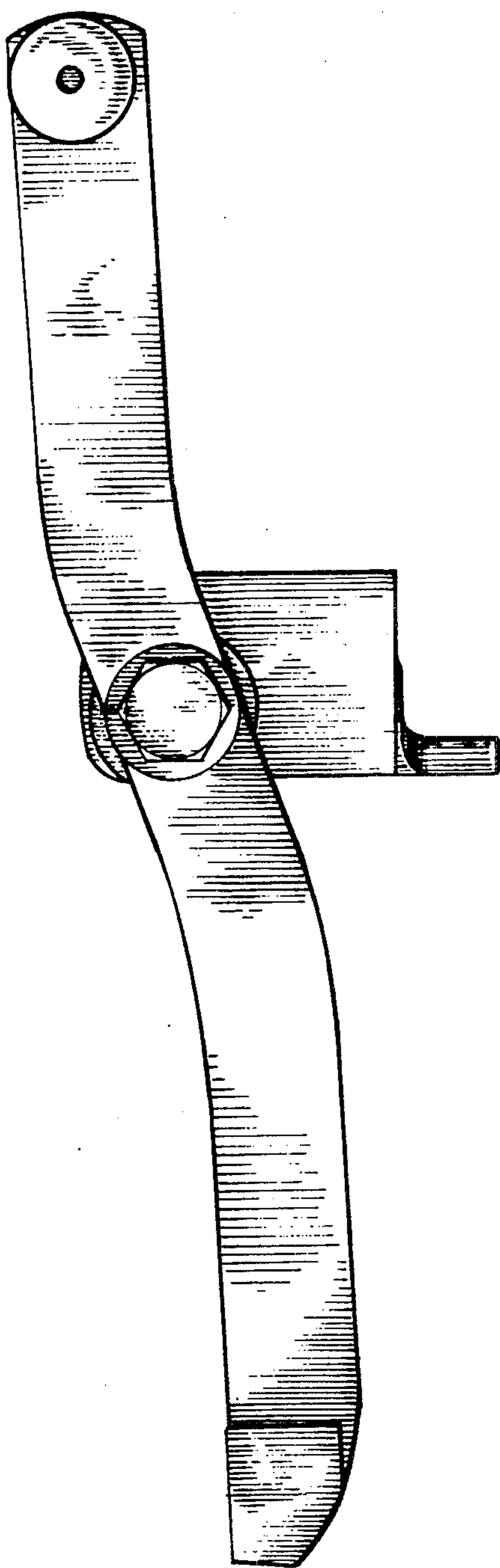


FIG. 1

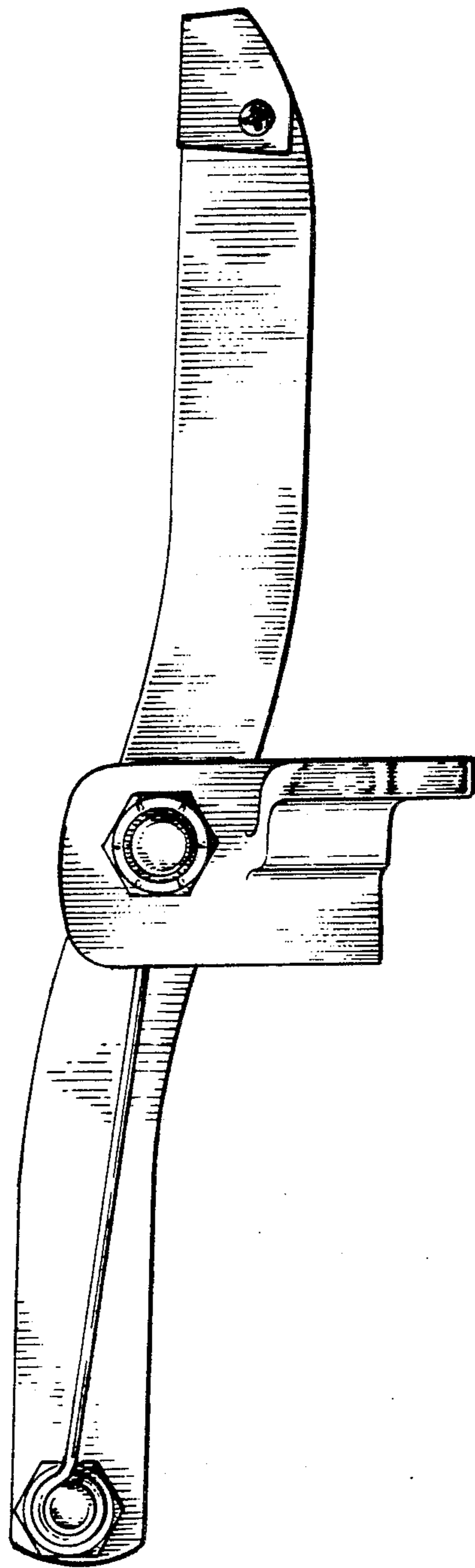


FIG. 2

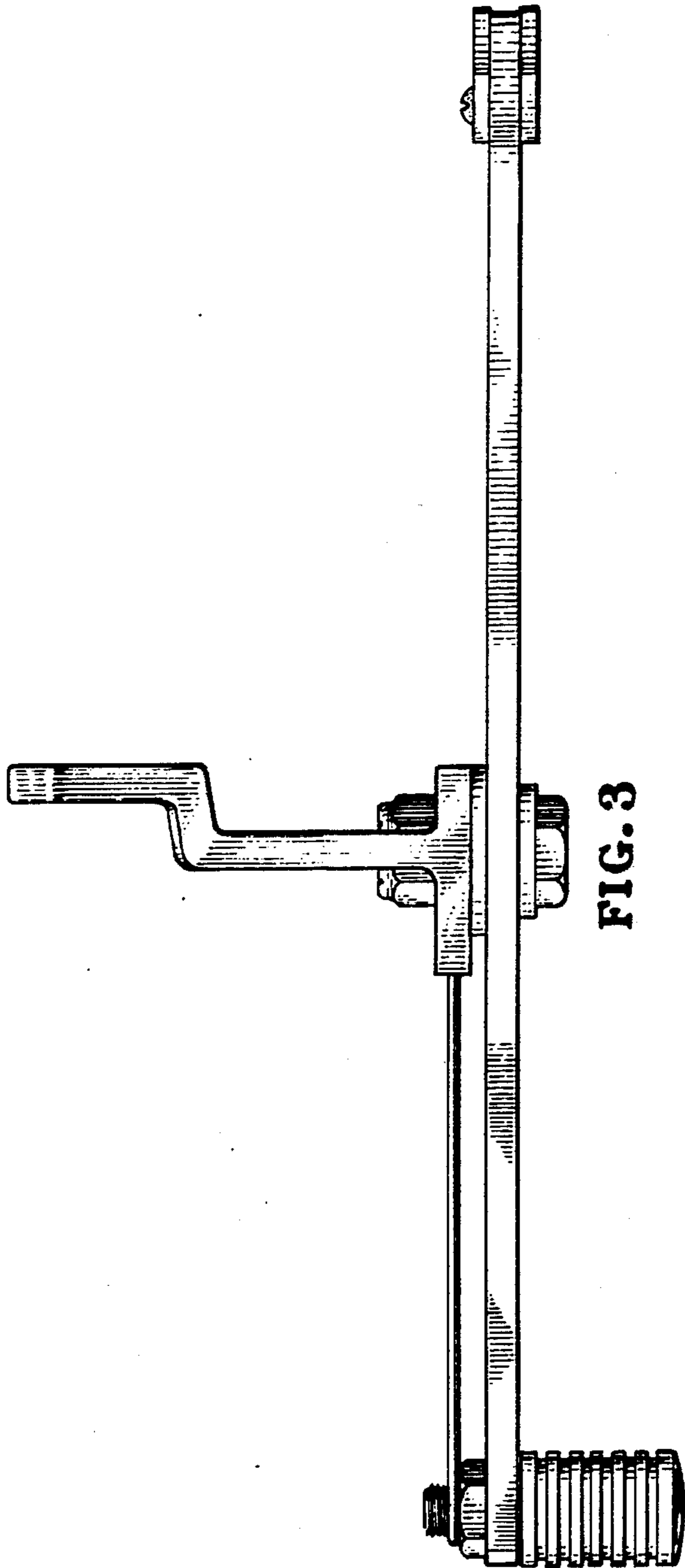


FIG. 3

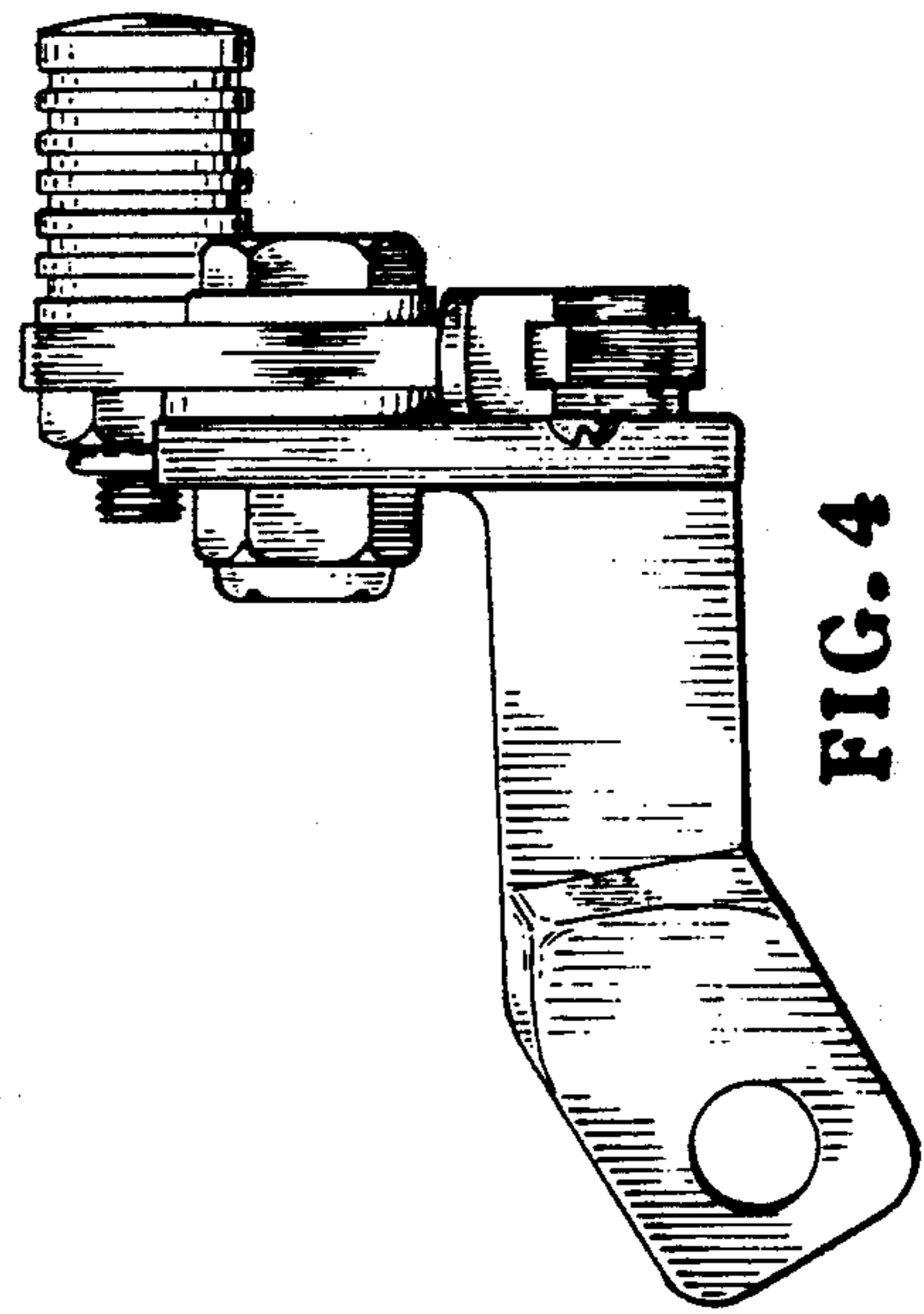


FIG. 4

UNITED STATES PATENT AND TRADEMARK OFFICE
CERTIFICATE OF CORRECTION

PATENT NO. : Des. 289,028
DATED : Mar. 31, 1987
INVENTOR(S) : Lee A. Gandy

It is certified that error appears in the above-identified patent and that said Letters Patent are hereby corrected as shown below:
On the Title Page, Items [19] and [76]
change "Grandy" to read --Gandy--

**Signed and Sealed this
Sixth Day of October, 1987**

Attest:

Attesting Officer

DONALD J. QUIGG

Commissioner of Patents and Trademarks