

- [54] **COMBINED BAG DISTENDING AND HOLDING FORM**
[76] **Inventor: Charles M. Campbell, 609 Ann Lois La., Burleson, Tex. 76028**
[**] **Term: 14 Years**
[21] **Appl. No.: 630,095**
[22] **Filed: Jul. 12, 1984**
[52] **U.S. Cl. D9/434**
[58] **Field of Search D9/305, 434; D6/572; 141/316, 390, 391; 383/33, 35, 36**

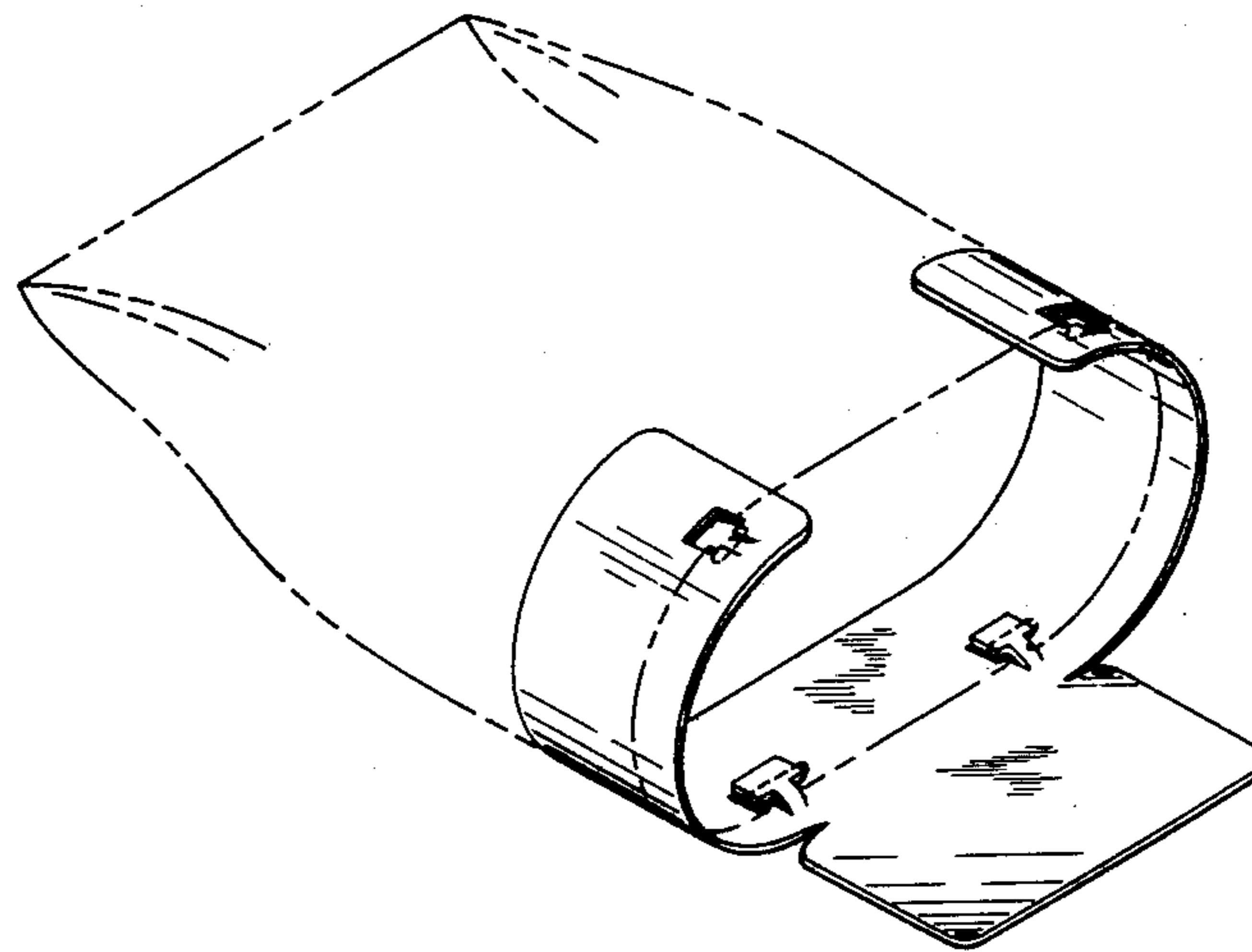
- [56] **References Cited**
U.S. PATENT DOCUMENTS
D. 277,555 2/1985 Pattillo et al. D9/434
2,527,746 10/1950 Lawrence 383/33
2,873,905 2/1959 Denton 383/33
3,457,707 7/1969 Fesco 383/33
3,983,914 10/1976 Benson 141/390

4,379,519 4/1983 Sherwood 383/33

Primary Examiner—B. J. Bullock
Attorney, Agent, or Firm—Glaser, Griggs & Schwartz

[57] **CLAIM**
The ornamental design for a combined bag distending and holding form, as shown and described.

DESCRIPTION
FIG. 1 is a perspective view of a combined bag distending and holding form showing my new design; FIG. 2 is a top plan view thereof, the bottom view being a mirror image thereof; FIG. 3 is a front elevational view thereof; FIG. 4 is a rear elevational view thereof; FIG. 5 is a left side elevational view thereof, the right side elevational view being a mirror image thereof; and FIG. 6 is a front perspective view thereof in the position of use, the bag being shown in broken lines for illustrative purposes only.



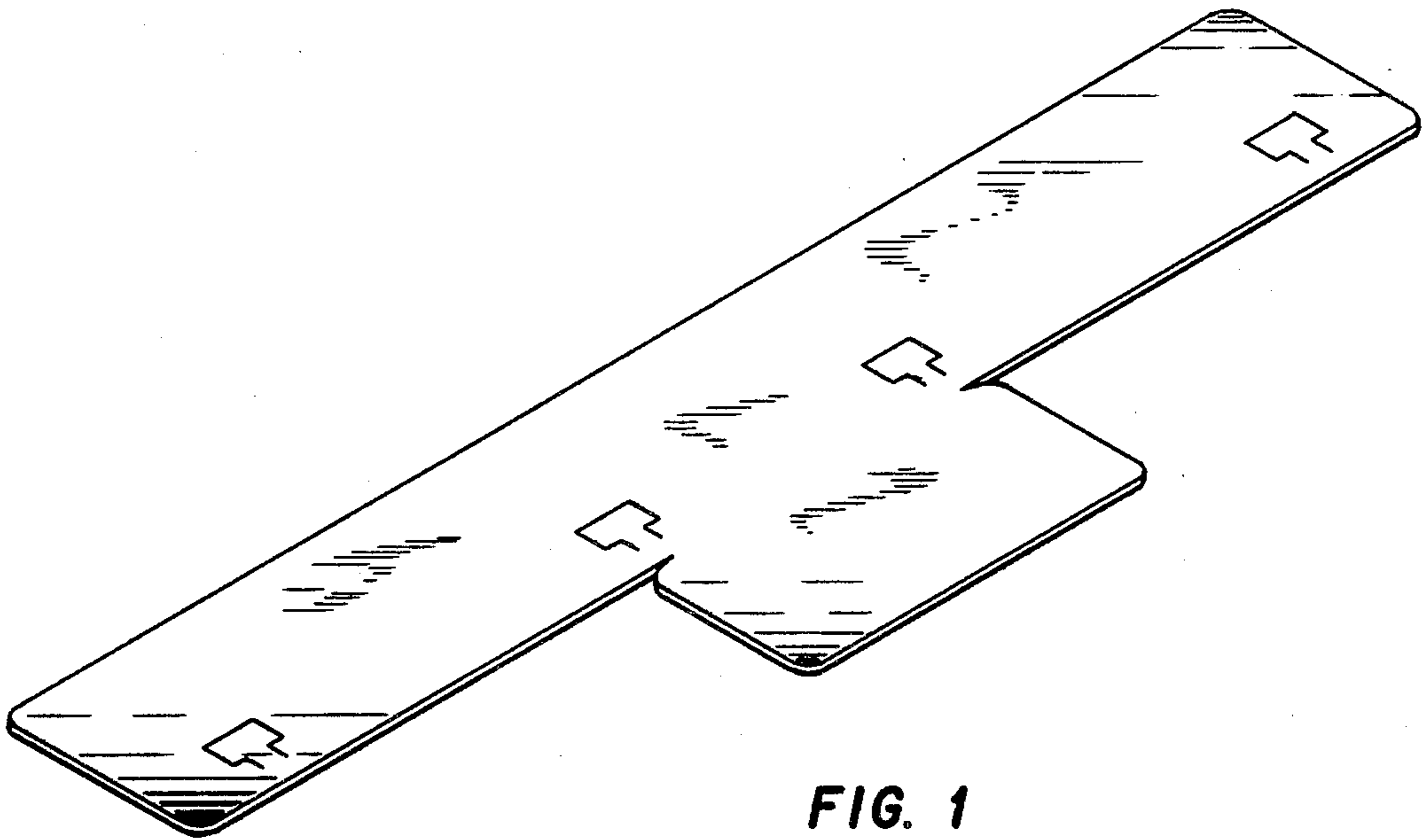


FIG. 1

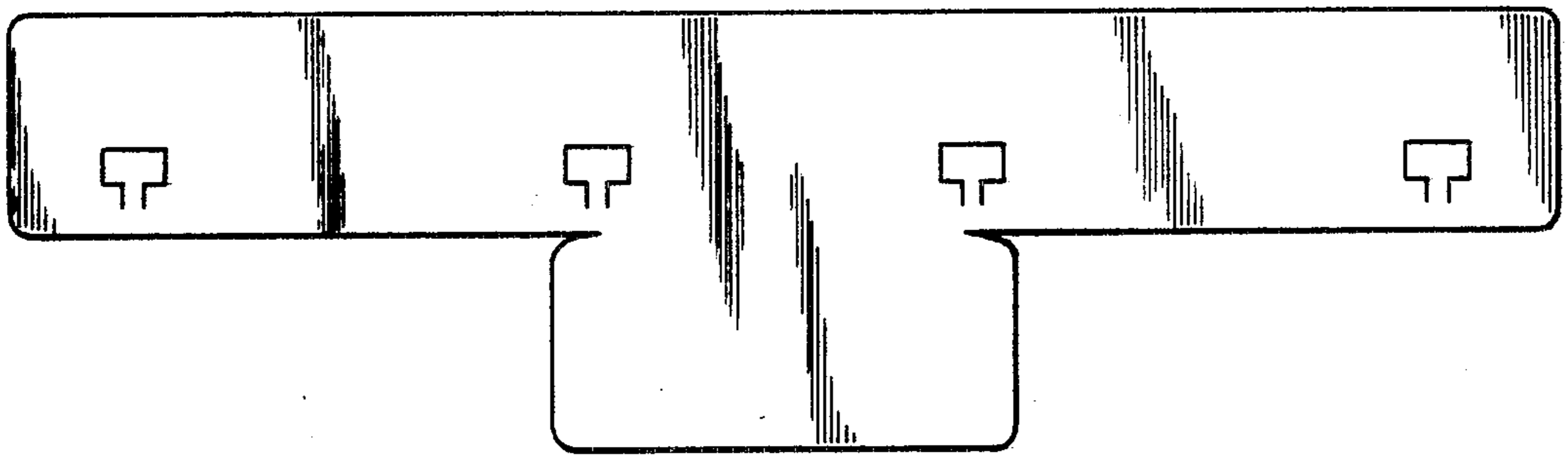


FIG. 2



FIG. 3

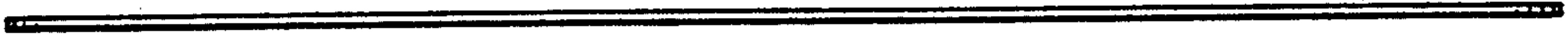


FIG. 4



FIG. 5

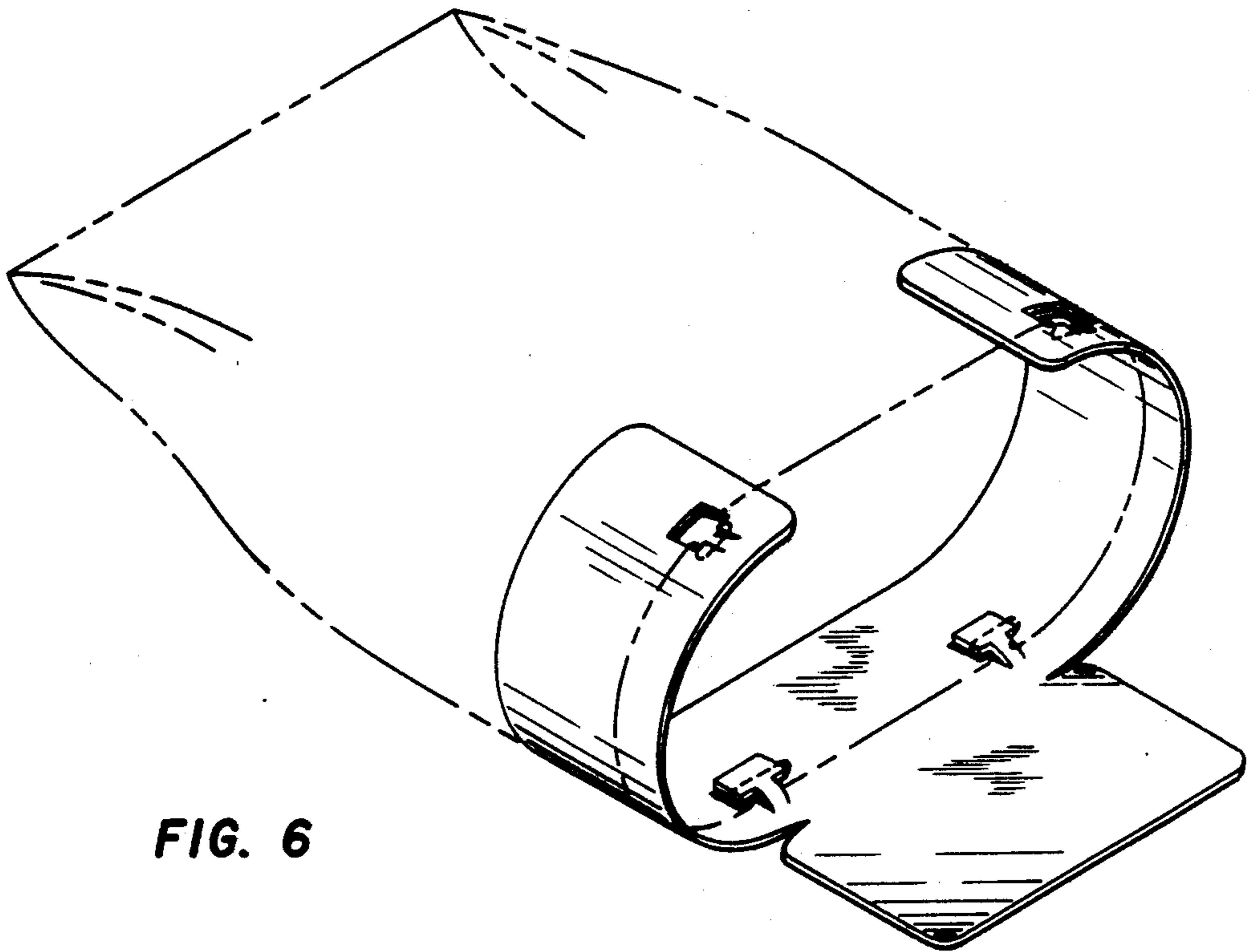


FIG. 6