

[54] COMBINED CHUCK KEY HOLDER AND CORD RESTRAINT

[76] Inventor: Leo F. Hamel, 11103 Moreno Ave., Lakeside, Calif. 92040

[**] Term: 14 Years

[21] Appl. No.: 629,228

[22] Filed: Jul. 9, 1984

[52] U.S. Cl. D8/356; D3/62

[58] Field of Search D3/61-65; D8/16, 105, 356, 358, 360.1, 371; 24/129 B, 129 R, 130

[56] References Cited

U.S. PATENT DOCUMENTS

D. 210,142	2/1968	Kennedy	D8/358
278,097	5/1883	Collins	24/129 B
656,431	8/1900	Stewart	D8/356
1,161,559	11/1915	Weigel	24/129 B
2,204,939	6/1940	Lyons	173/361

2,292,140	8/1942	Lofgren	24/130
2,350,048	5/1944	Kobler et al.	30/34
2,721,711	10/1955	Torzewski	242/85
2,893,045	7/1959	Dalbec	15/323
3,675,276	7/1972	Nuse	24/129 B
3,725,848	4/1973	Davidson	339/62
3,736,925	6/1973	Erman	24/129 B

Primary Examiner—George P. Word
Attorney, Agent, or Firm—Stetina and Brunda

[57] CLAIM

The ornamental design for a combined chuck key holder and cord restraint, as shown and described.

DESCRIPTION

FIG. 1 is a top perspective view of a combined chuck key holder and cord restraint showing my new design; and
FIG. 2 is a bottom perspective view thereof.
The environmental structure shown in dotted lines in FIGS. 1 and 2 is for illustrative purposes only and not a part of the claimed design.

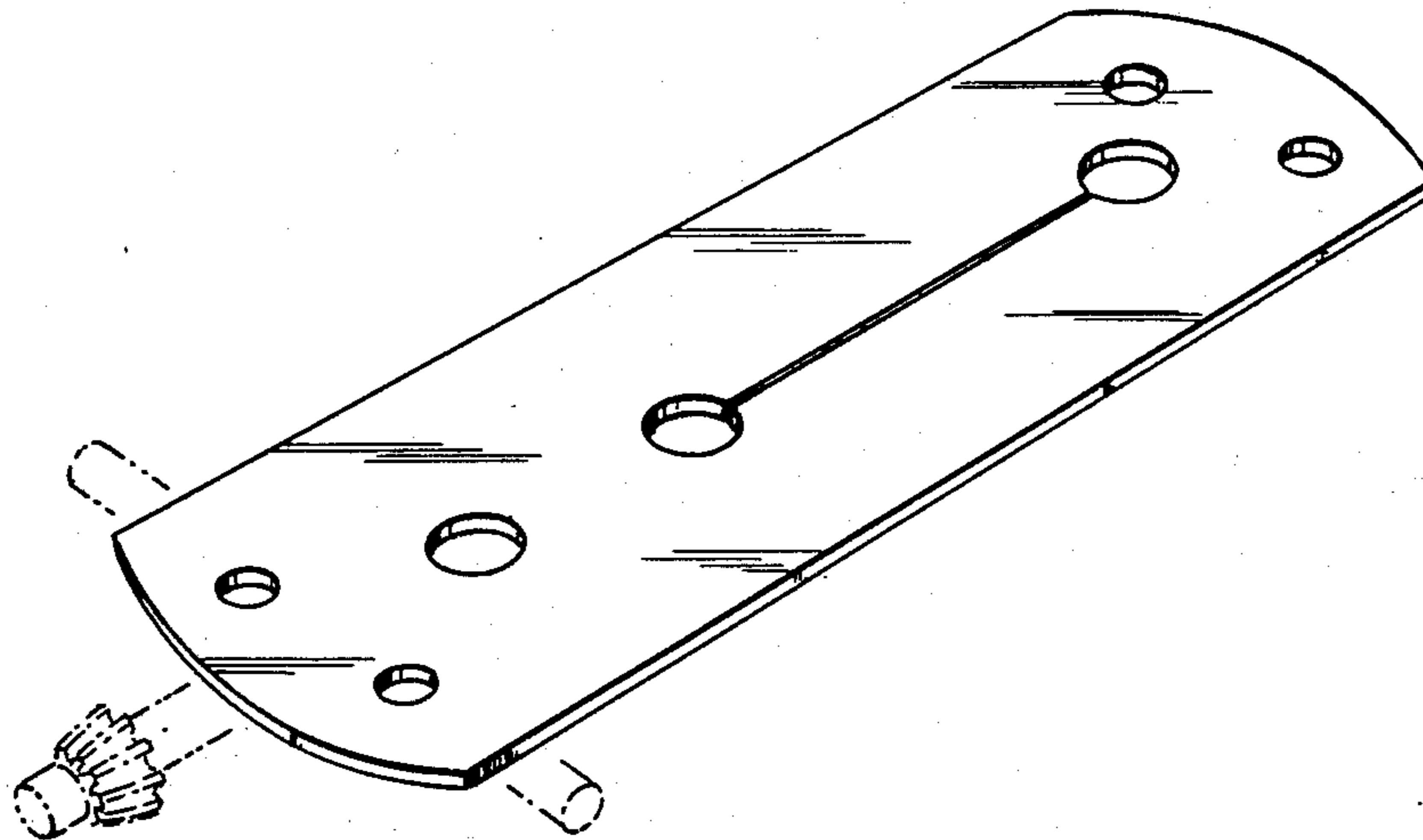


Fig. 1

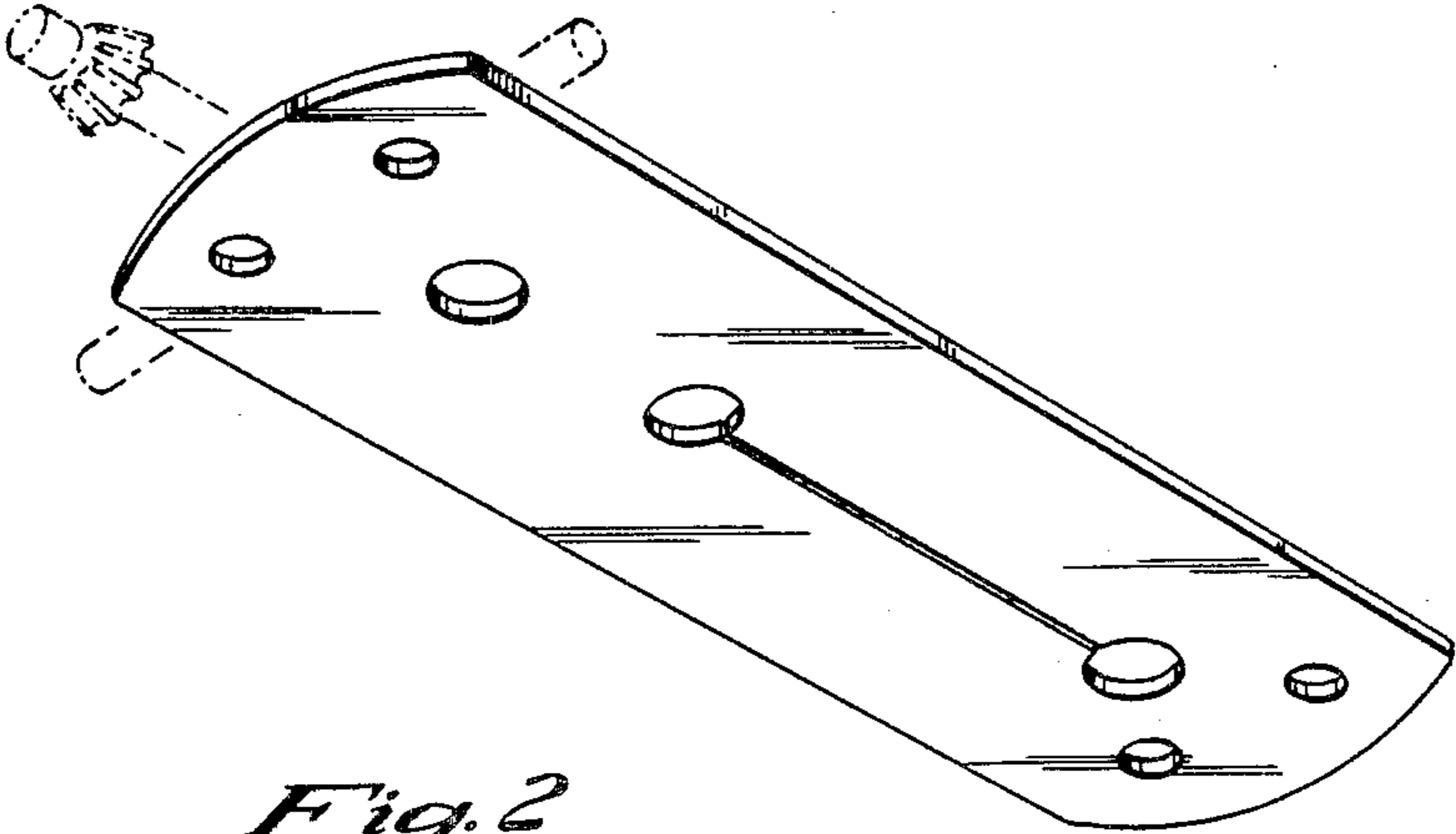
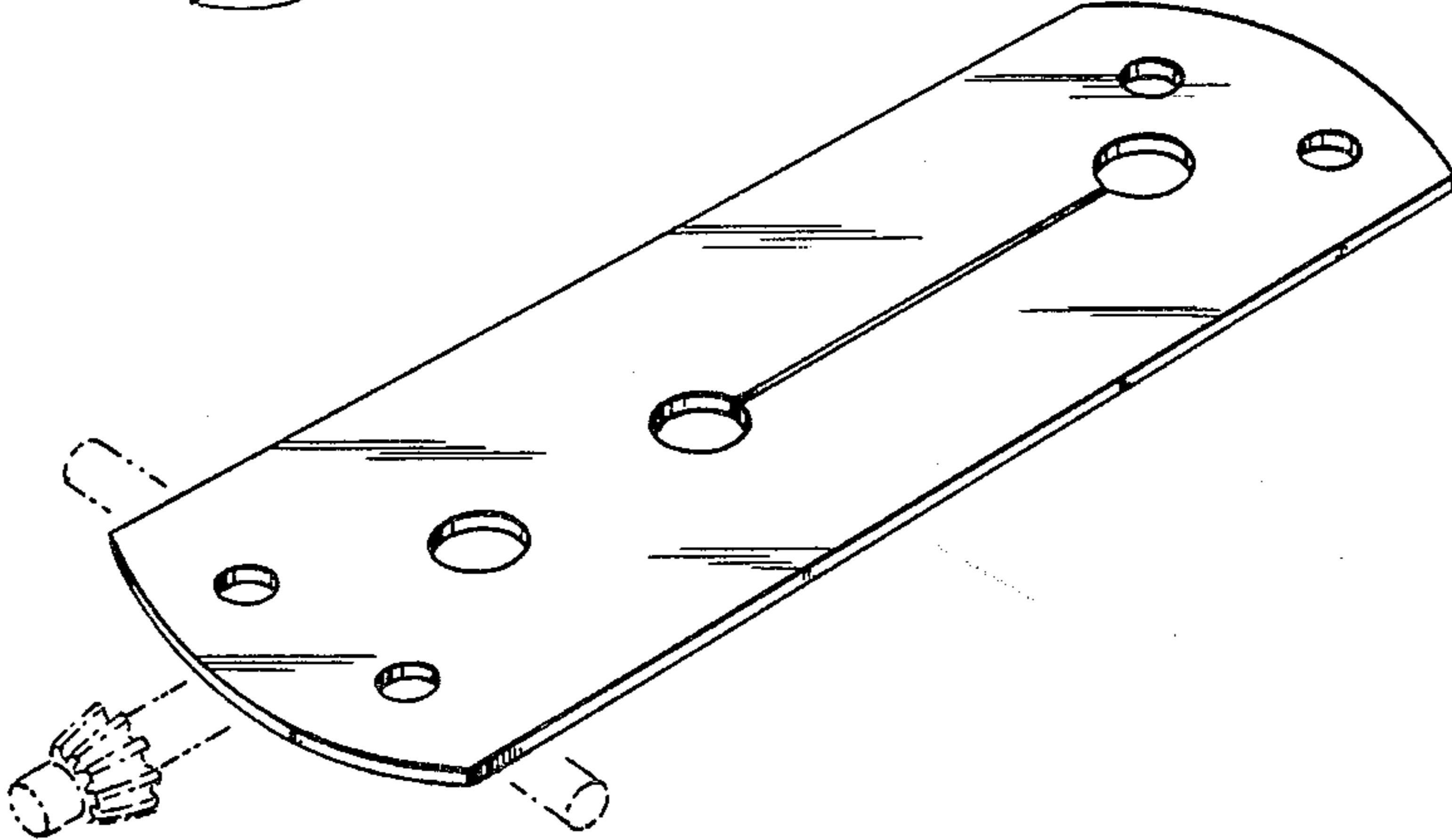


Fig. 2