

[54] CLAMPING BAR FOR A TUBE FLARING TOOL

4,526,023 7/1985 Babb 72/317 X

- [75] Inventor: Larry F. Babb, LaGrange, Ohio
- [73] Assignee: Emerson Electric Co., St. Louis, Mo.
- [**] Term: 14 Years
- [21] Appl. No.: 588,367
- [22] Filed: Mar. 12, 1984
- [52] U.S. Cl. D8/72; D8/14; D8/56; D8/60
- [58] Field of Search D8/14, 71, 72, 56, 60; 72/112, 115-117, 317

OTHER PUBLICATIONS

J & J Manufacturing & Sales Corp. Brochure, p. 2, "Kwik-Flare" Flaring Bar-third illustration up from bottom of page.

Primary Examiner—Susan J. Lucas
Assistant Examiner—C. E. Heflin
Attorney, Agent, or Firm—Body, Vickers & Daniels

[57] CLAIM

The ornamental design for a clamping bar for a tube flaring tool, as shown.

DESCRIPTION

FIG. 1 is a top perspective view of the clamping bar for a tube flaring tool showing my new design;
 FIG. 2 is a top plan view thereof;
 FIG. 3 is a side elevational view thereof;
 FIG. 4 is an opposite side elevational view thereof;
 FIG. 5 is a bottom perspective view thereof;
 FIG. 6 is a bottom plan view thereof;
 FIG. 7 is an end elevational view thereof;
 FIG. 8 is an opposite end elevational view thereof.
 The retaining clip in FIGS. 1, 3, 4 and 5 is shown in broken lines for illustrative purposes only and forms no part of the claimed design.

[56] References Cited

U.S. PATENT DOCUMENTS

1,661,367	3/1928	Helminiak	72/116
2,089,133	8/1937	Parker	72/317
2,180,033	11/1939	Cattoi	153/79
2,221,228	11/1940	Maupin	72/116
2,350,054	5/1944	McIntosh	72/317
2,534,510	12/1950	Franck	153/79
2,892,480	6/1959	Franck	153/79
3,117,617	1/1964	Meese	153/81
3,195,337	7/1965	Janik	72/115
4,025,271	5/1977	Wolcott	425/318
4,108,589	8/1978	Bunch	425/393

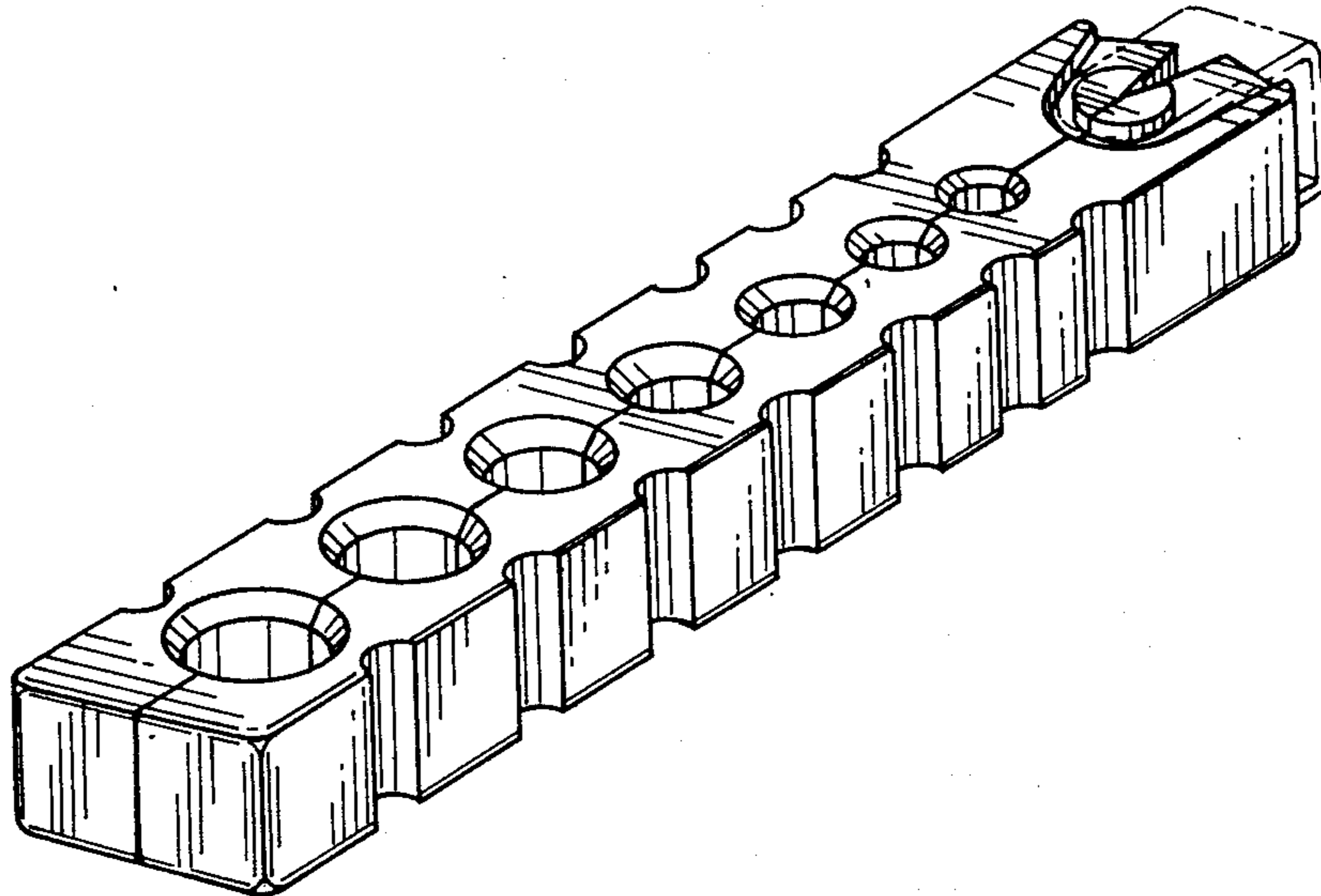


FIG. 1

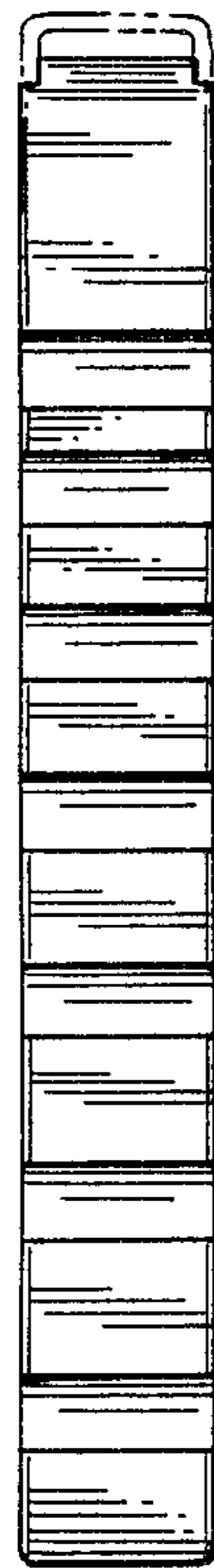
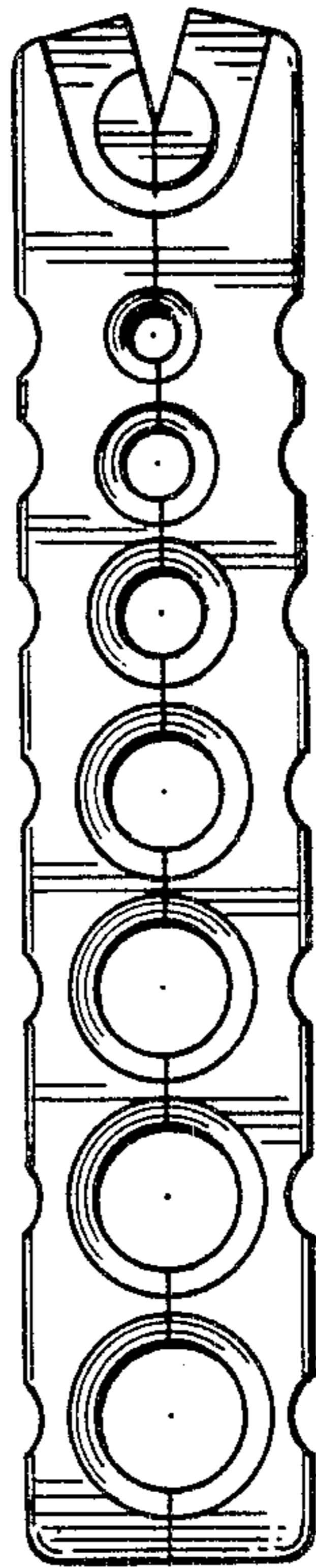
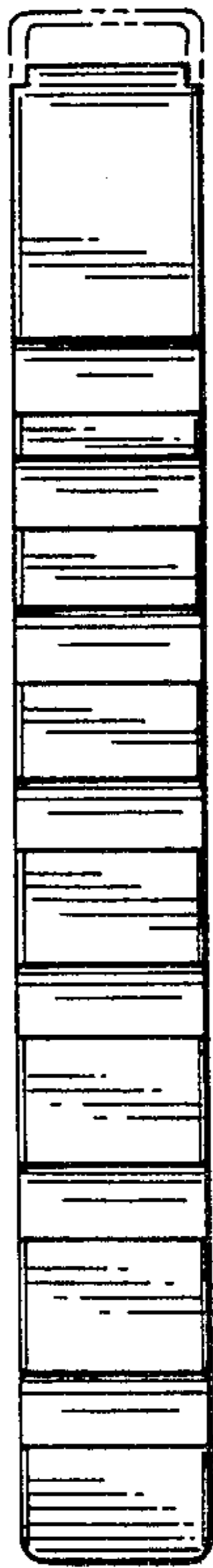
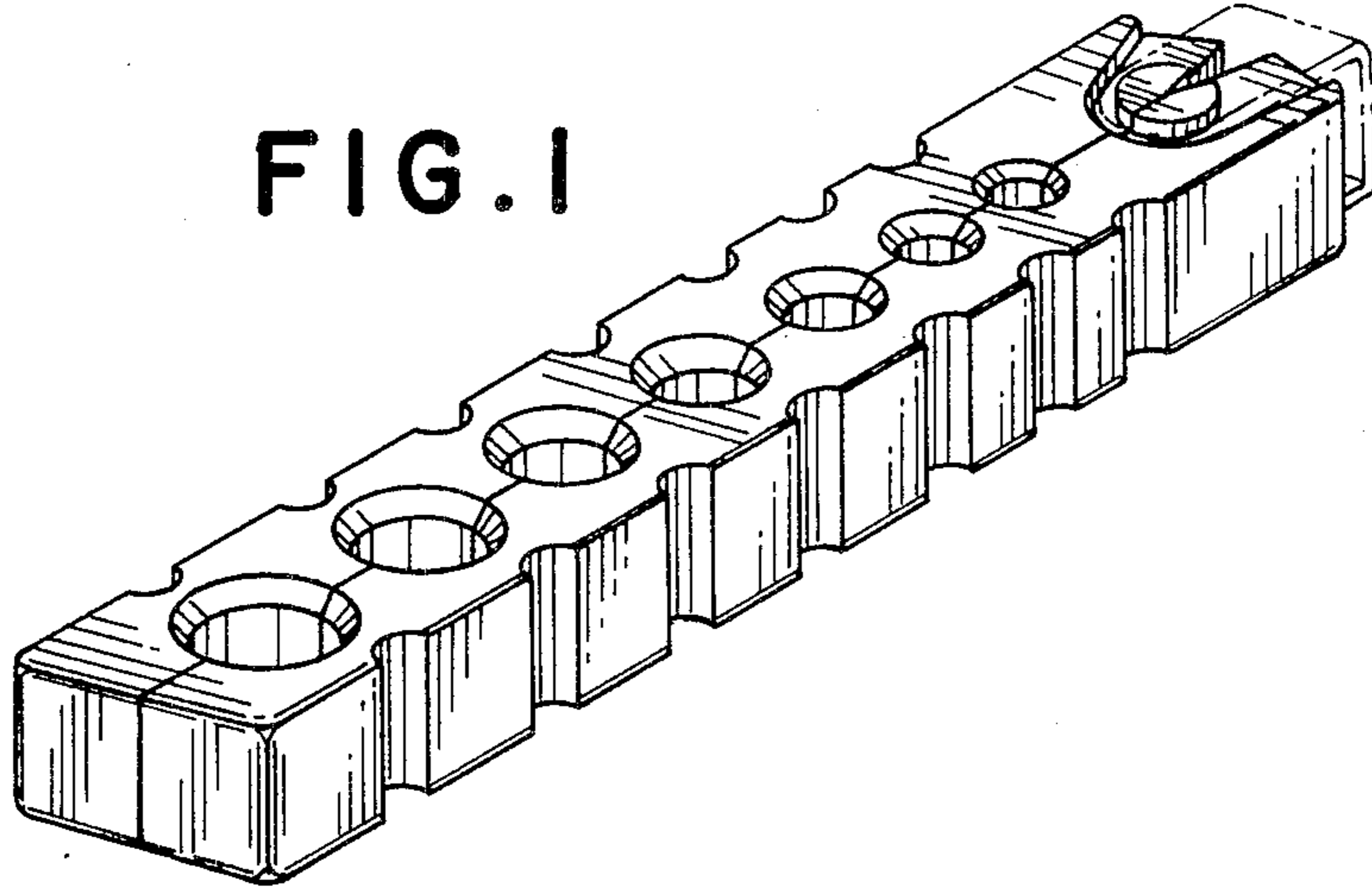


FIG. 3

FIG. 2

FIG. 4

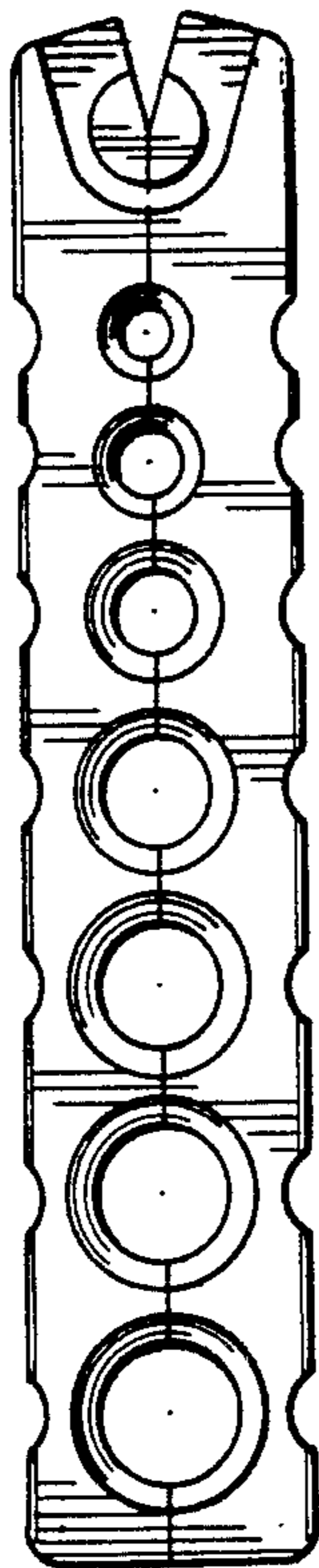
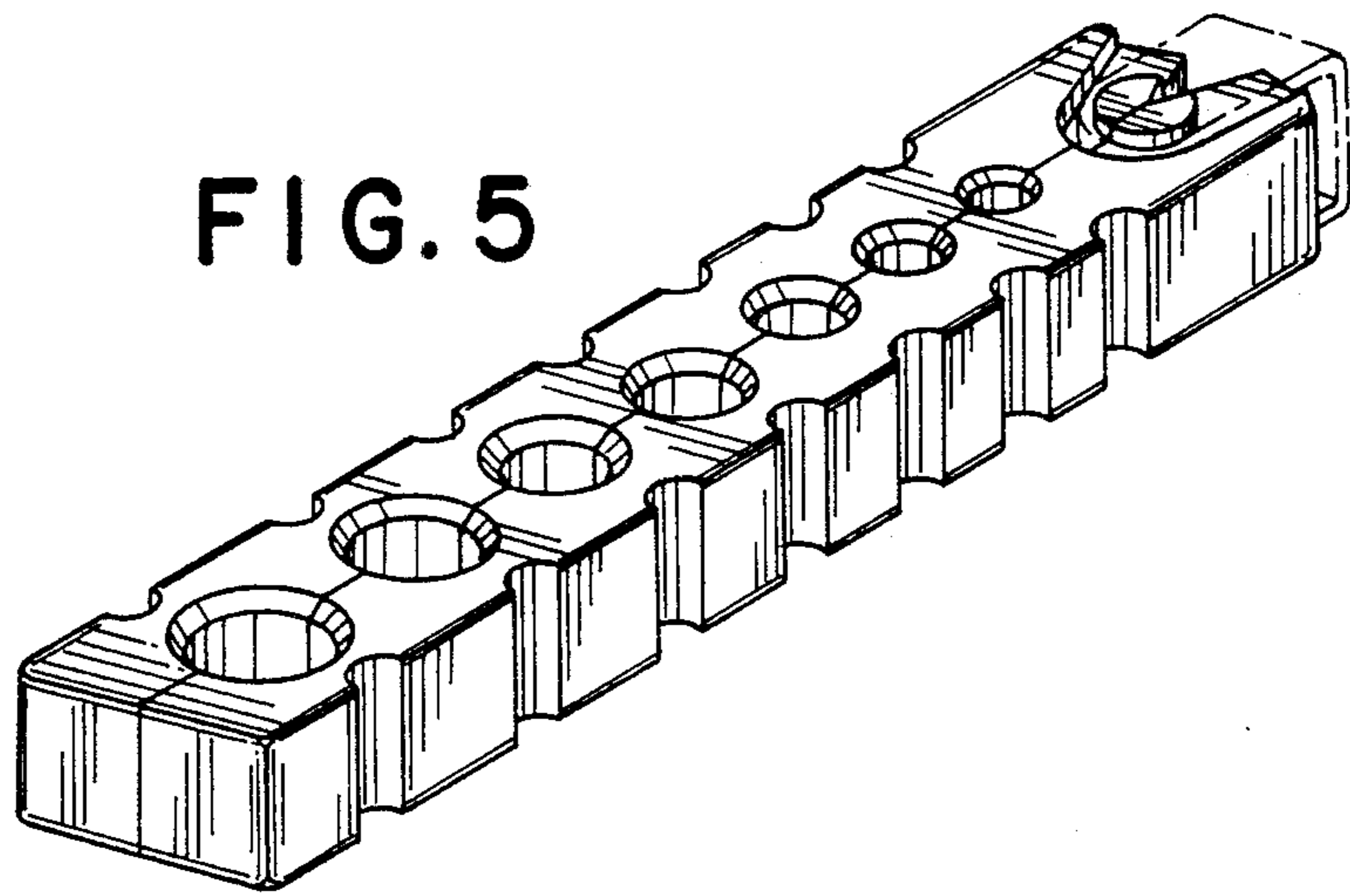


FIG. 6

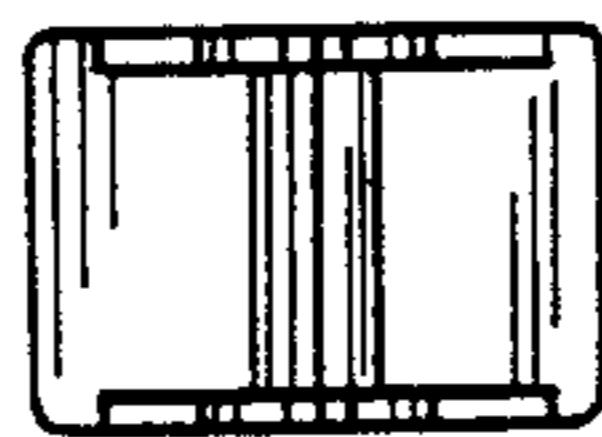


FIG. 7

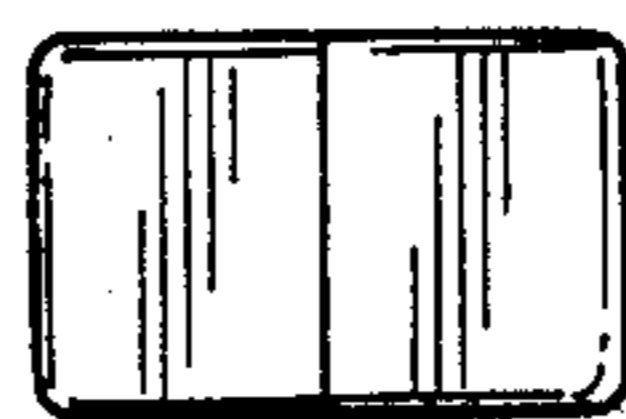


FIG. 8