

- [54] CORDLESS ELECTRIC DRILL
- [75] Inventor: Robert I. Somers, Raleigh, N.C.
- [73] Assignee: Black & Decker, Inc., Newark, Del.
- [**] Term: 14 Years
- [21] Appl. No.: 646,142
- [22] Filed: Aug. 31, 1984
- [52] U.S. Cl. D8/68
- [58] Field of Search D8/61-69,
D8/70; 173/163, 170; 81/54, 57.11; 408/124

[56] References Cited

U.S. PATENT DOCUMENTS

D. 280,796	10/1985	Somers	D8/61
2,072,551	3/1937	Forss	173/170 X
2,158,228	5/1939	Forss	173/170
2,991,838	7/1961	Lane	173/170
3,043,274	7/1962	Quackenbush	173/163
4,204,580	5/1980	Nalley	173/170 X
4,440,238	4/1984	Sauerwein et al.	173/170

OTHER PUBLICATIONS

Black & Decker Catalog 302, Jul.-Dec., 1977, cover (back and front) and p. 11 showing two speed 1/2" Hammer Drill.

Sears Catalog of Power and Hand Tools, 1979-80, cover (back and front) and pp. 60, 61 showing drills with pistol grip side handles.

Shopcraft brochure entitled "Benchtop and Portable Power Tools", copyrighted 1981, cover (back and front) and unnumbered page showing drills with pistol grip, side handles and identified as Serial Nos. T3250 20 and T3150 20.

Skil Consumer Products Catalog, CP-511, date approximately 1981, cover and pp. 6 and 7 showing cordless, side handle drills, Catalog Nos. 2002, 2003, 2006 and 2007.

Shopmate Power Tool Catalog No. 109-72C, date un-

known, cover (back and front) and pp. 7 and 8 showing drills with pistol grip side handle and with an array of vertical vents.

Appliance Manufacturer, Sep. 1963, p. 81 showing side handle drill manufactured by Thor Power Tool Company.

Thor Brochure, date unknown, showing side handle drill.

Silvo Hardware Company, 1984, Cover and p. 8 showing Mighty Midget End Handle Drill, and Cover and p. 20 showing Rockwell Side Handle Drill in upper right hand corner of page.

Wen Dealer Catalog CA-1080, cover and p. 4 showing side handle drills, Model Nos. PR81 and PR70.

Skil Power Tool Catalog, date of publication unknown, cover and p. 22 showing Cordless Screwdriver.

Black & Decker Air Tools Catalog No. AT-1 (6/72), cover (back and front) and p. 14 showing air drills Catalog Nos. 1487, 1488 and 1490.

Primary Examiner—Susan J. Lucas

Assistant Examiner—C. E. Heflin

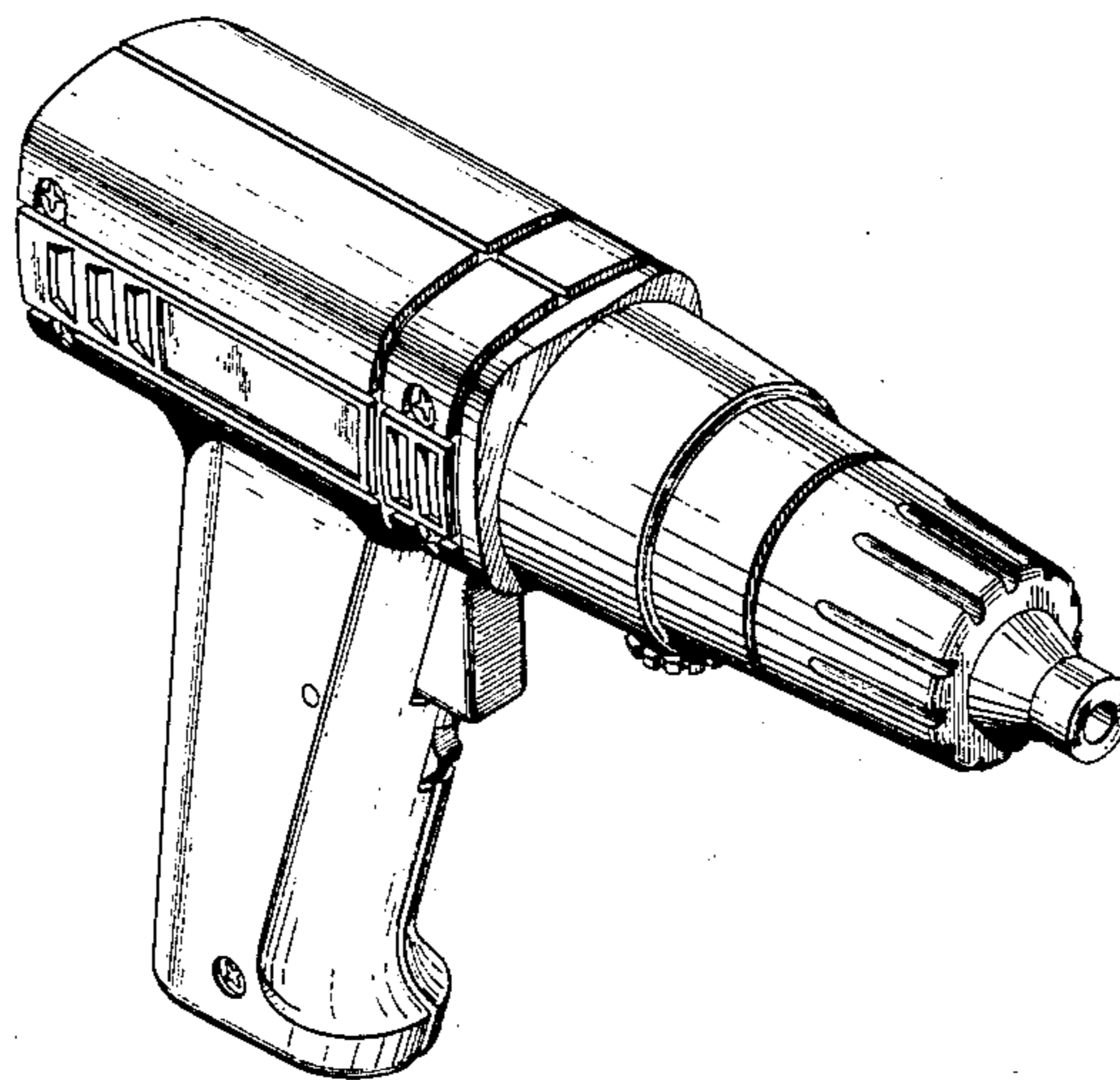
Attorney, Agent, or Firm—Finnegan, Henderson, Farabow, Garrett & Dunner

[57] CLAIM

The ornamental design for a cordless electric drill, as shown and described.

DESCRIPTION

FIG. 1 is a left side elevational view of the cordless electric drill showing my new design; FIG. 2 is a top plan view thereof; FIG. 3 is a front end view thereof; FIG. 4 is a rear end view thereof; FIG. 5 is a bottom plan view thereof; FIG. 6 is a right side elevational view thereof; and FIG. 7 is a perspective view thereof.



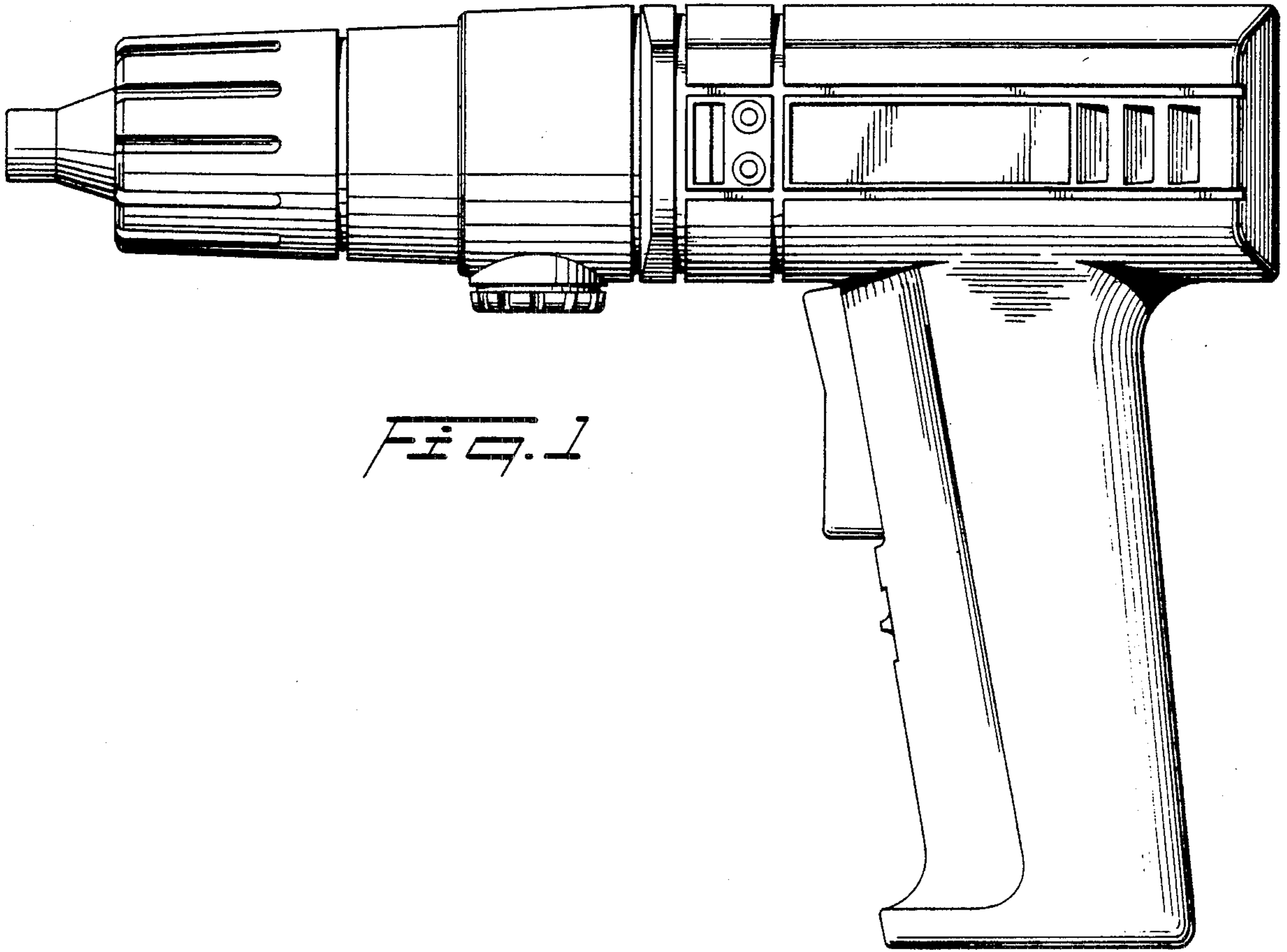


FIG. 1

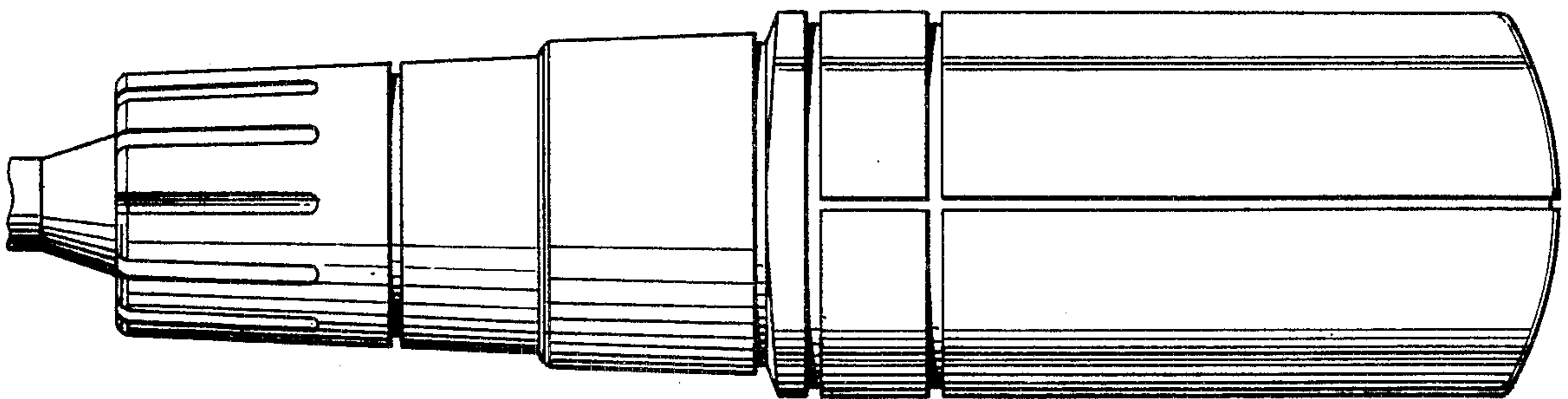


FIG. 2

FIG. 3

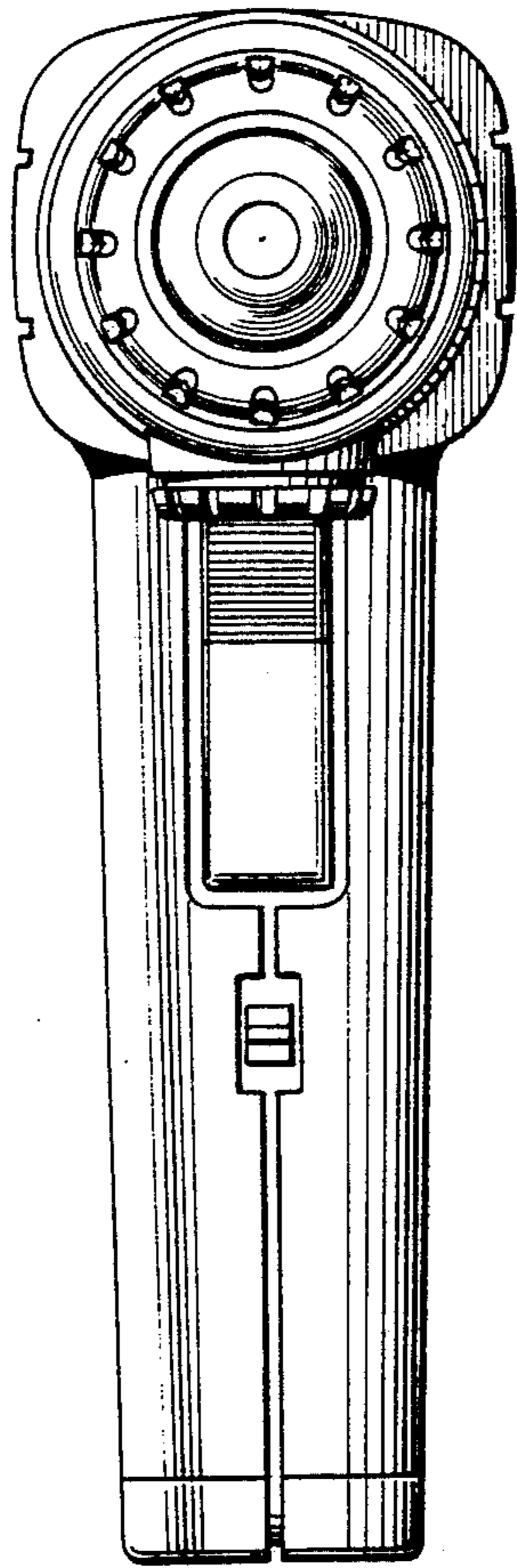


FIG. 4

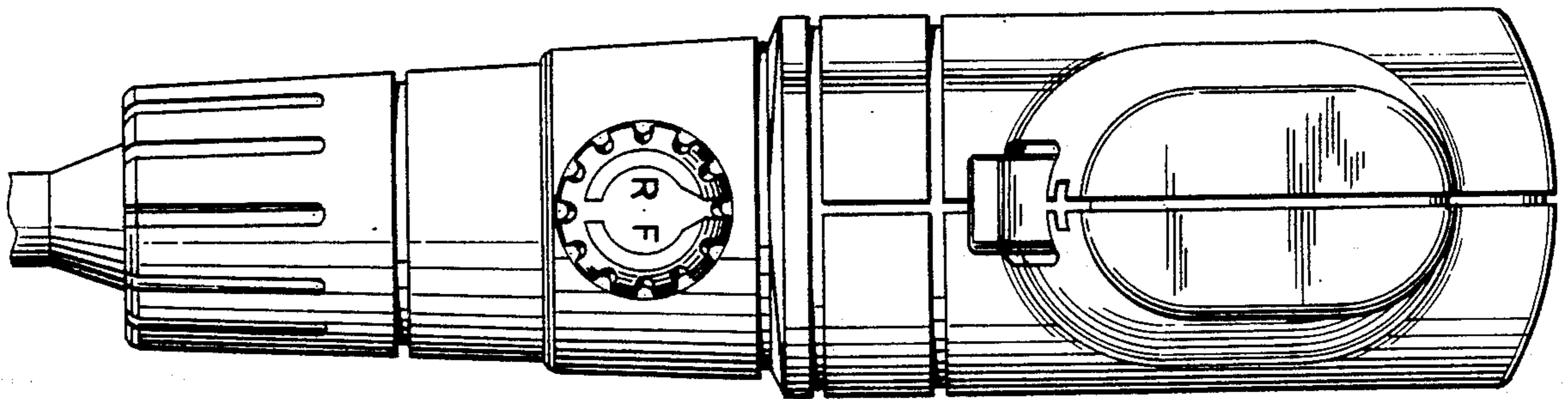
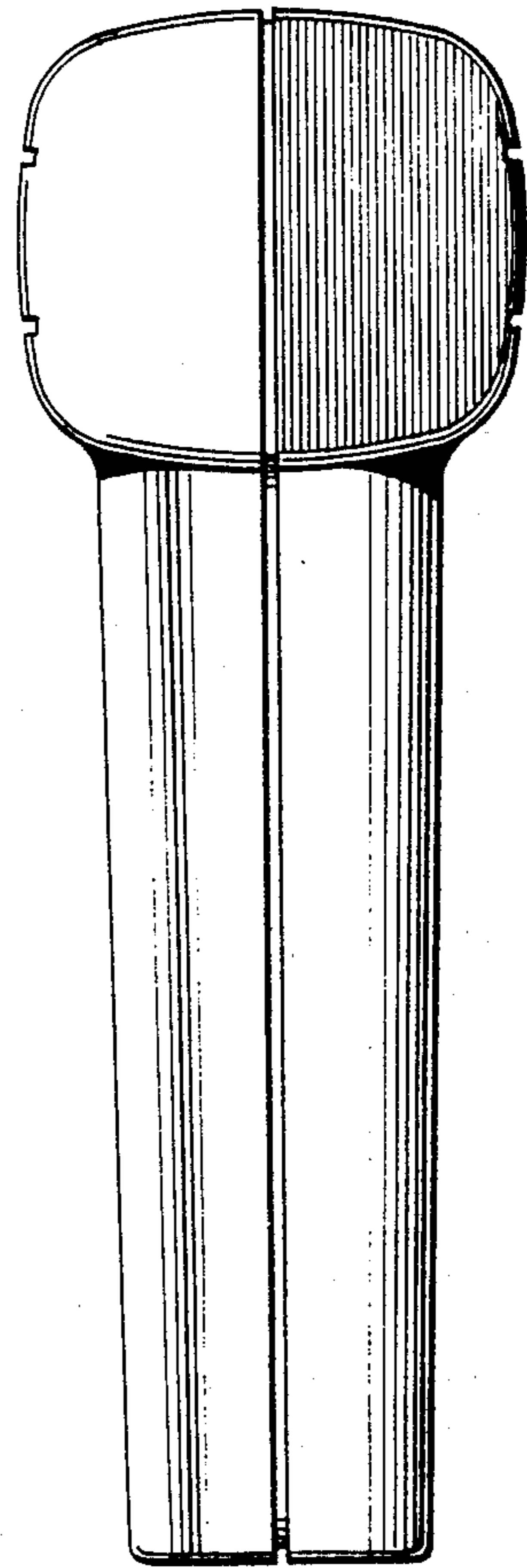


FIG. 5

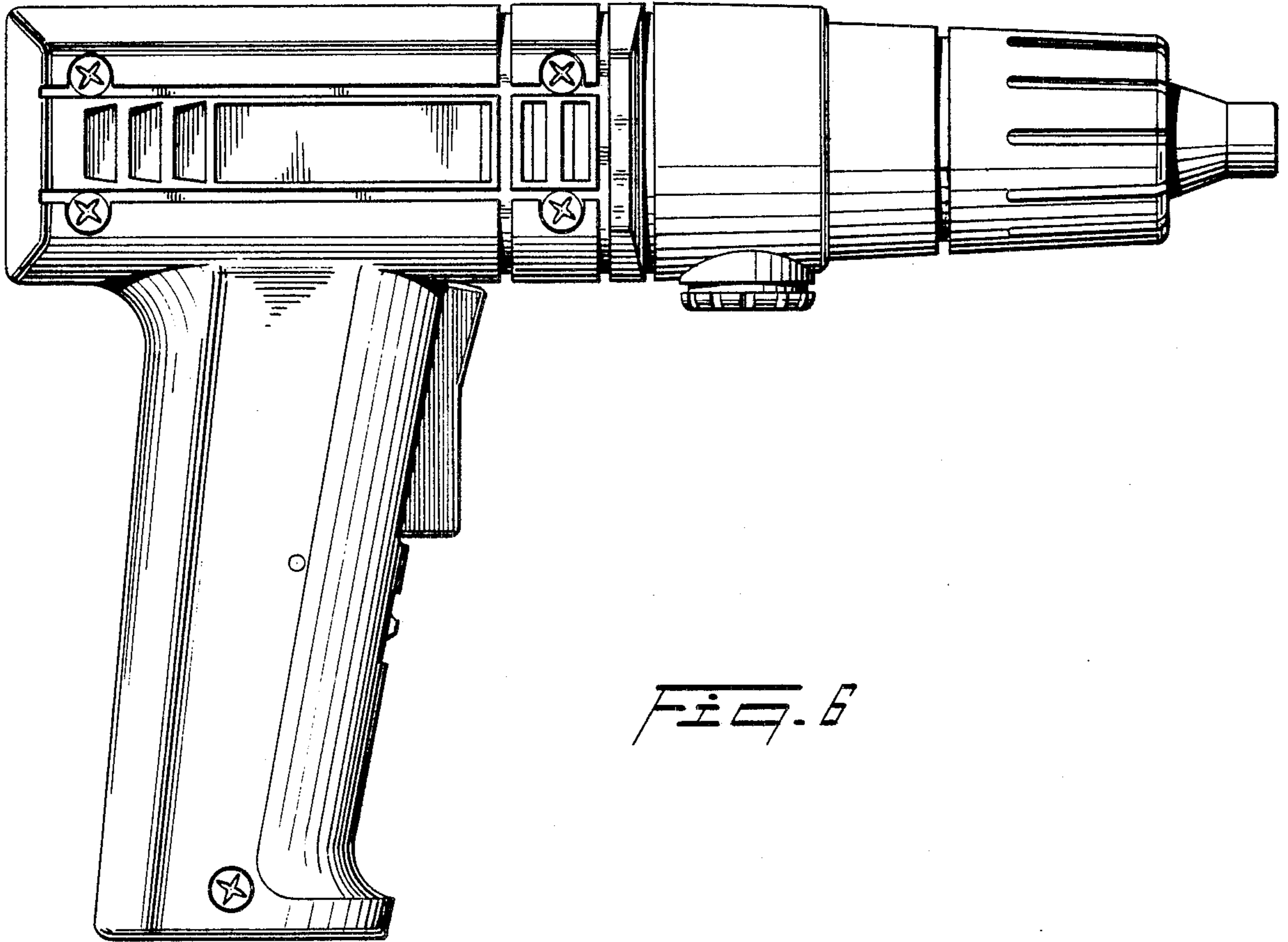


FIG. 1

