

[54] PIVOTABLE ETAGERE

[75] Inventor: Robert C. Winzeler, III, Montpelier, Ohio

[73] Assignee: Design Institute of America, Inc., Montpelier, Ohio

[**] Term: 14 Years

[21] Appl. No.: 687,374

[22] Filed: Dec. 28, 1984

[52] U.S. Cl. D6/474; D6/479

[58] Field of Search D6/449, 477, 478, 479, D6/474, 429, 430, 431; 108/91, 92, 93, 102, 96, 106, 108; 312/107, 195, 204

[56] References Cited

U.S. PATENT DOCUMENTS

D. 235,296	6/1975	Ginat	D6/474
D. 236,054	7/1975	Ginat	D6/479
D. 280,157	8/1985	Berry, Jr.	D6/474
D. 280,158	8/1985	Berry, Jr.	D6/474

D. 2,988,413 6/1961 Bergen 108/93 X

OTHER PUBLICATIONS

Design Institute of America, Jan. 1980, Showroom p. 33; Entertainment Center w/Adjustable Base, Item #92, top left.

Product Line by Design Institute of America, Dec. 31, 1981, p. 16; Cocktail Table, Item #114-B7, top left.

Primary Examiner—Carmen H. Vales

Attorney, Agent, or Firm—Marshall & Melhorn

[57] CLAIM

The ornamental design for a pivotable etagere, as shown.

DESCRIPTION

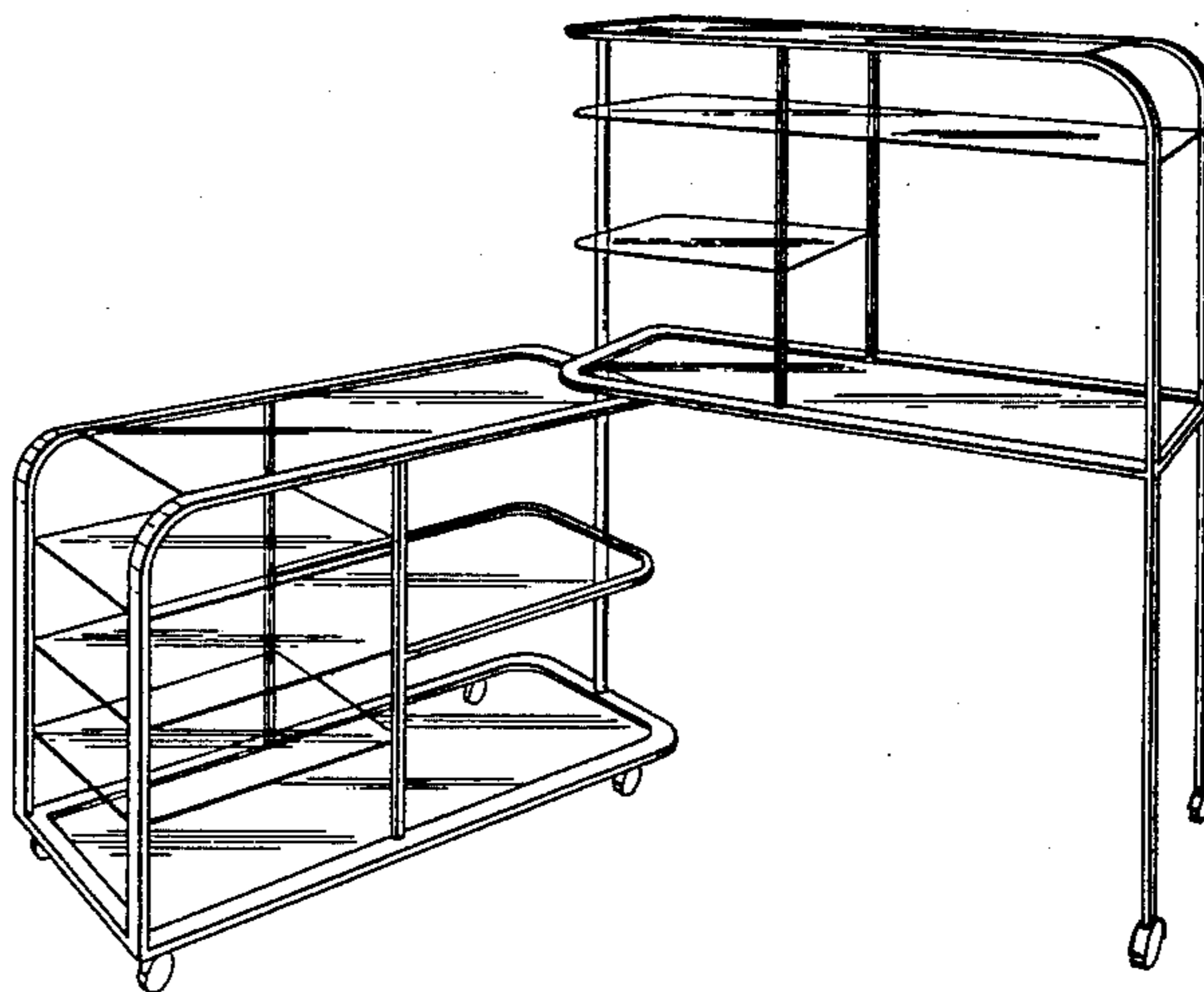
FIG. 1 is a perspective view of a pivotable etagere embodying my new design;

FIG. 2 is a front elevational view thereof;

FIG. 3 is a top plan view thereof;

FIG. 4 is a left side elevational view thereof; and

FIG. 5 is a right side elevational view thereof.



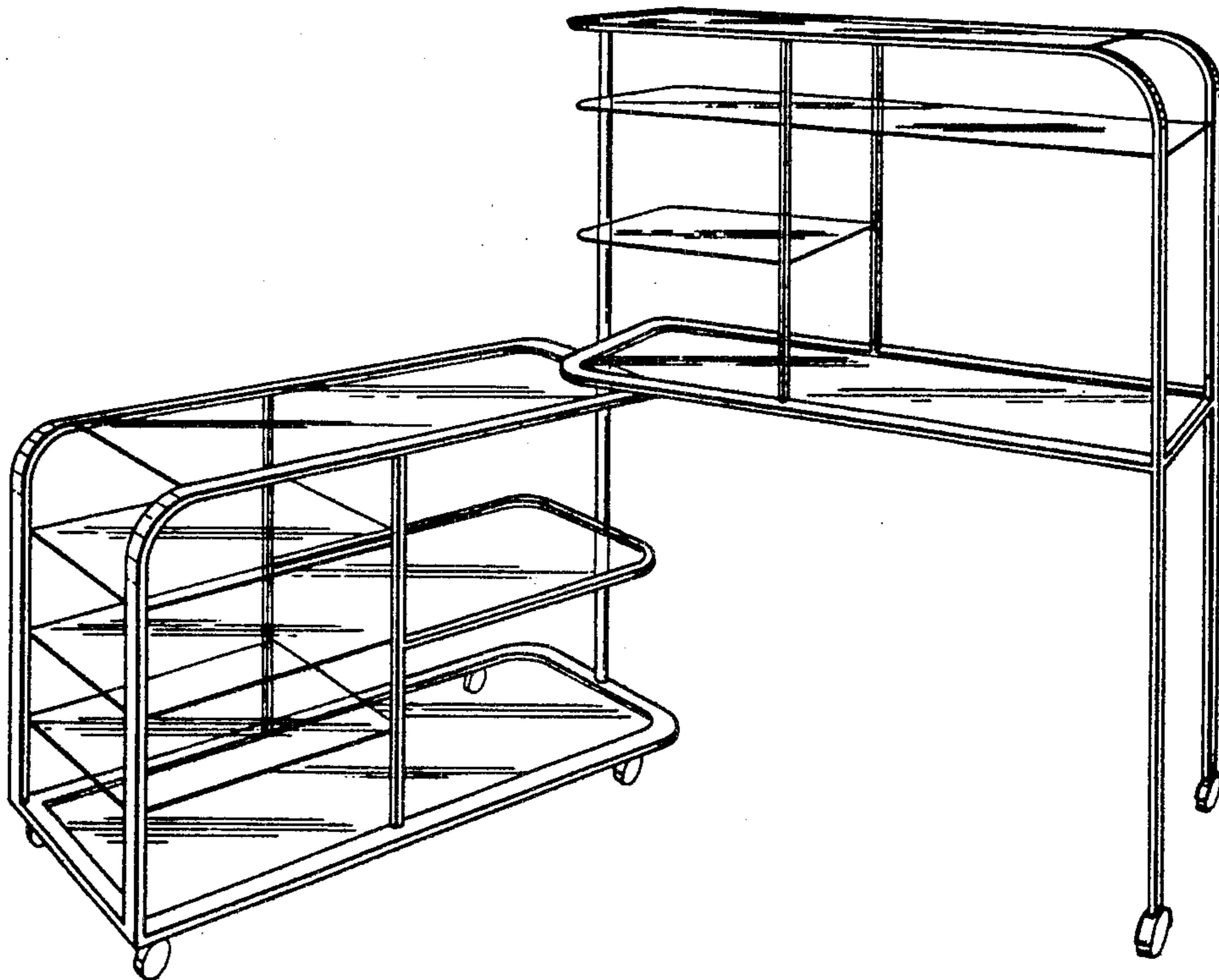


FIG. 1

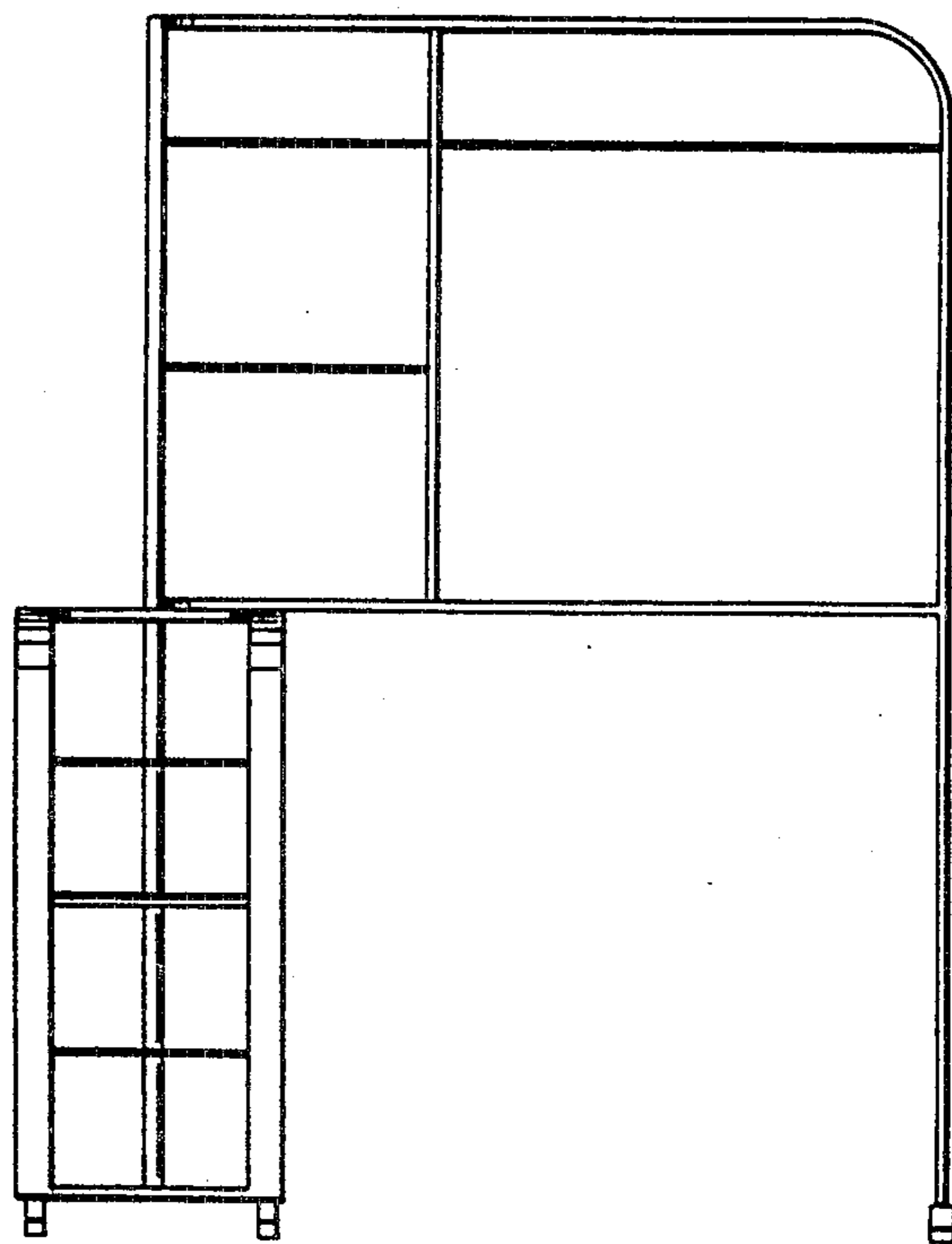


FIG. 2

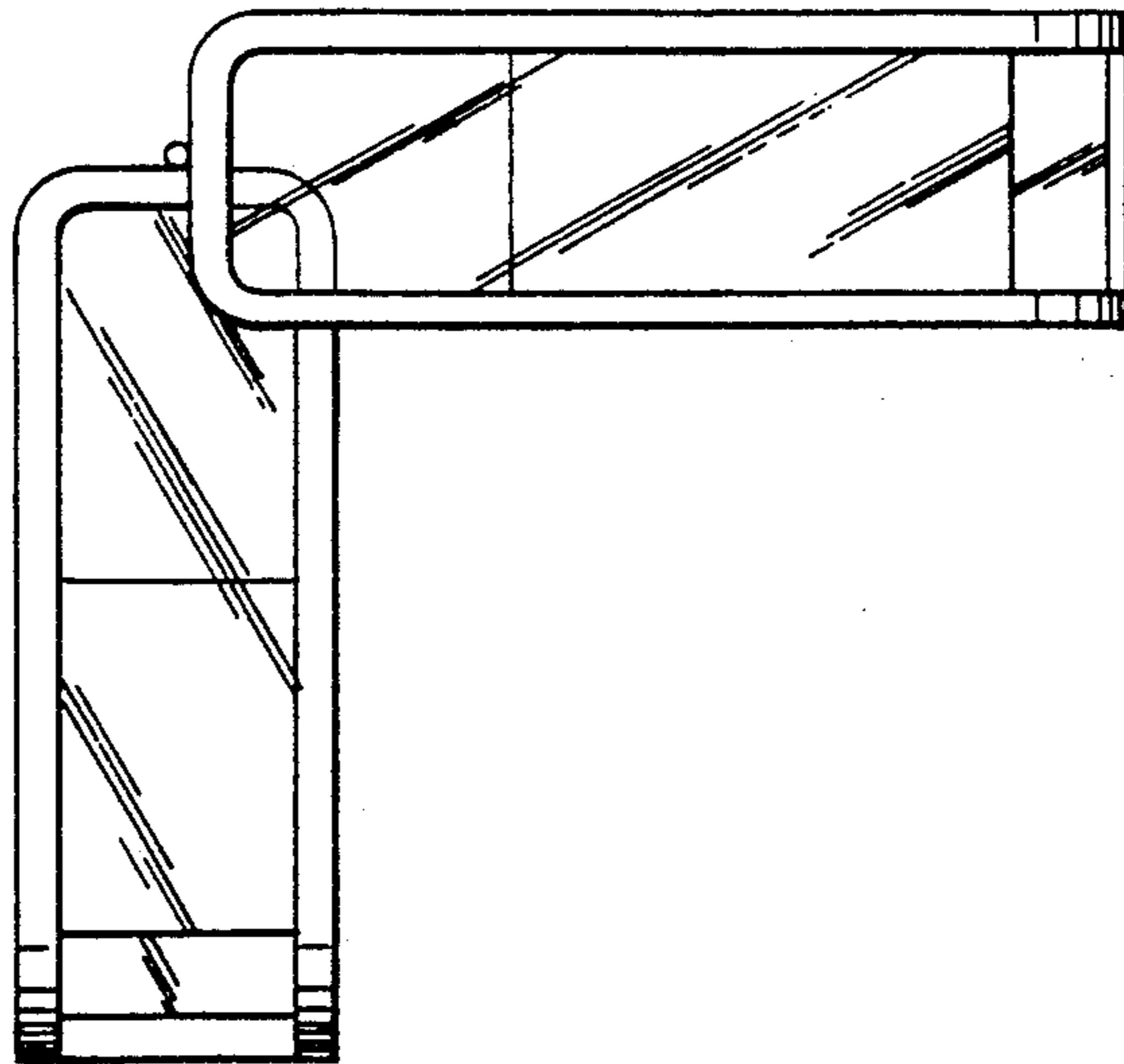


FIG. 3

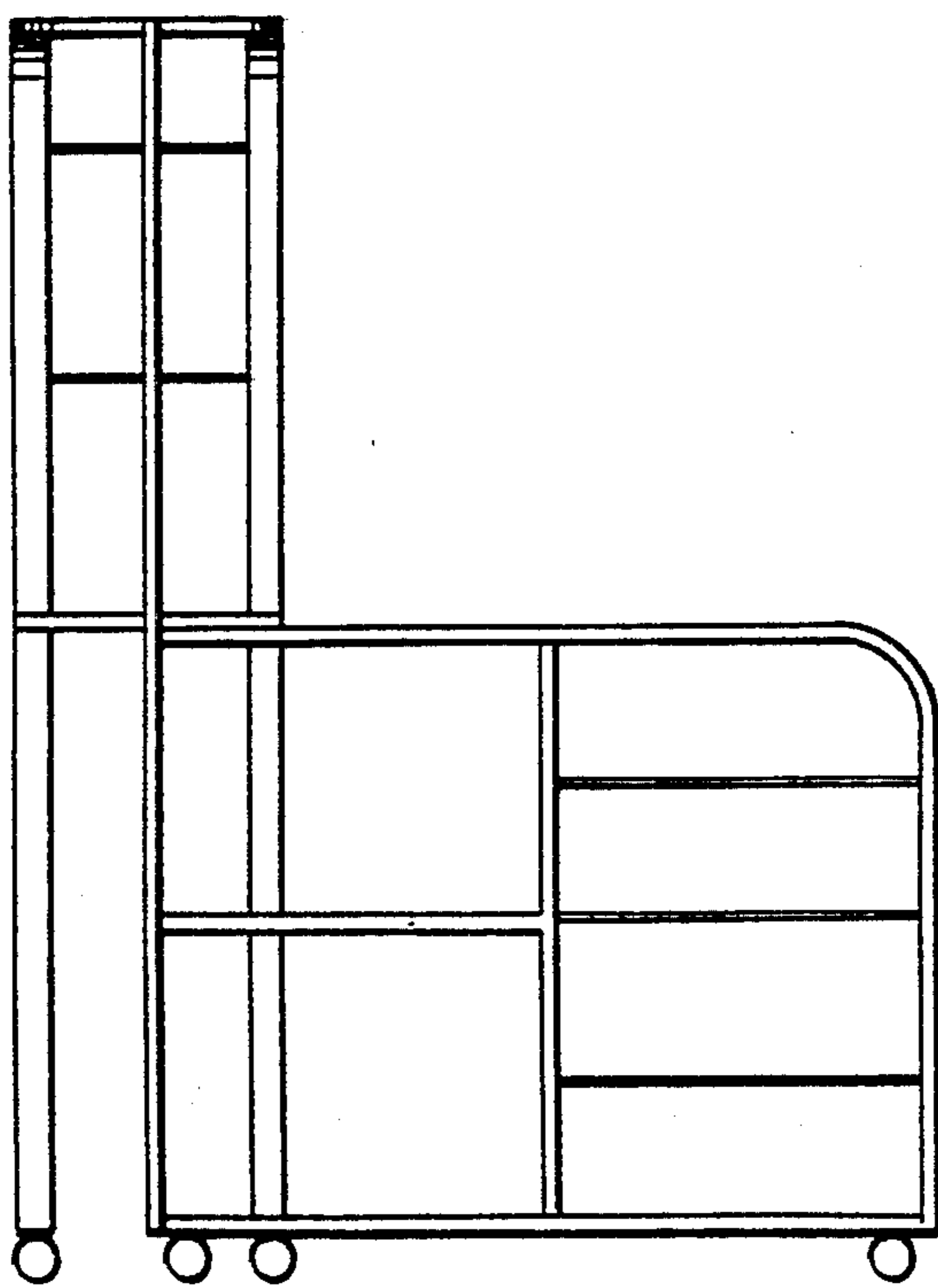


FIG. 4

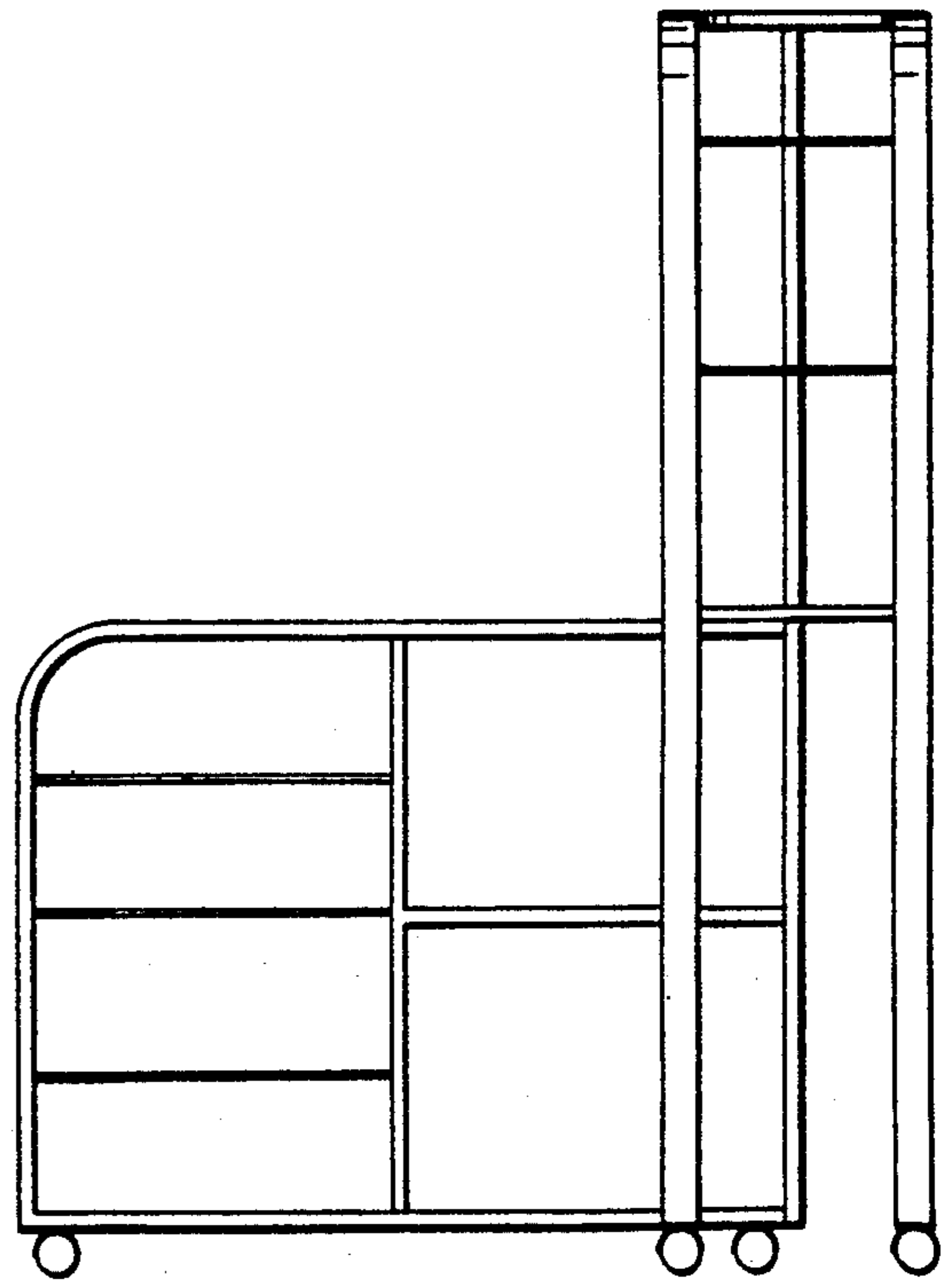


FIG. 5