

[54] **COMBINED LOUNGE CHAIR AND ARTICLE STORAGE UNIT**

[76] **Inventor: Robert A. Noga, 13404 Calais Dr., Del Mar, Calif. 92024**

[**] **Term: 14 Years**

[21] **Appl. No.: 664,076**

[22] **Filed: Oct. 24, 1984**

[52] **U.S. Cl. D6/336; D6/360; D6/368**

[58] **Field of Search D6/333, 336, 360, 367, D6/368, 373, 375; 297/191, 229, 377**

[56] **References Cited**

U.S. PATENT DOCUMENTS

D. 171,506 2/1954 Laird D6/371 X

D. 175,596	9/1955	Hampshire	D6/335
D. 252,047	6/1979	Cirrone	D6/480 X
D. 274,581	7/1984	Gallock	D6/336
D. 285,871	9/1986	Stenwall	D6/336
4,131,313	12/1978	Jacobs	297/191 X
4,273,380	6/1981	Silvestri	297/191
4,295,683	10/1981	Dubbink et al.	297/377

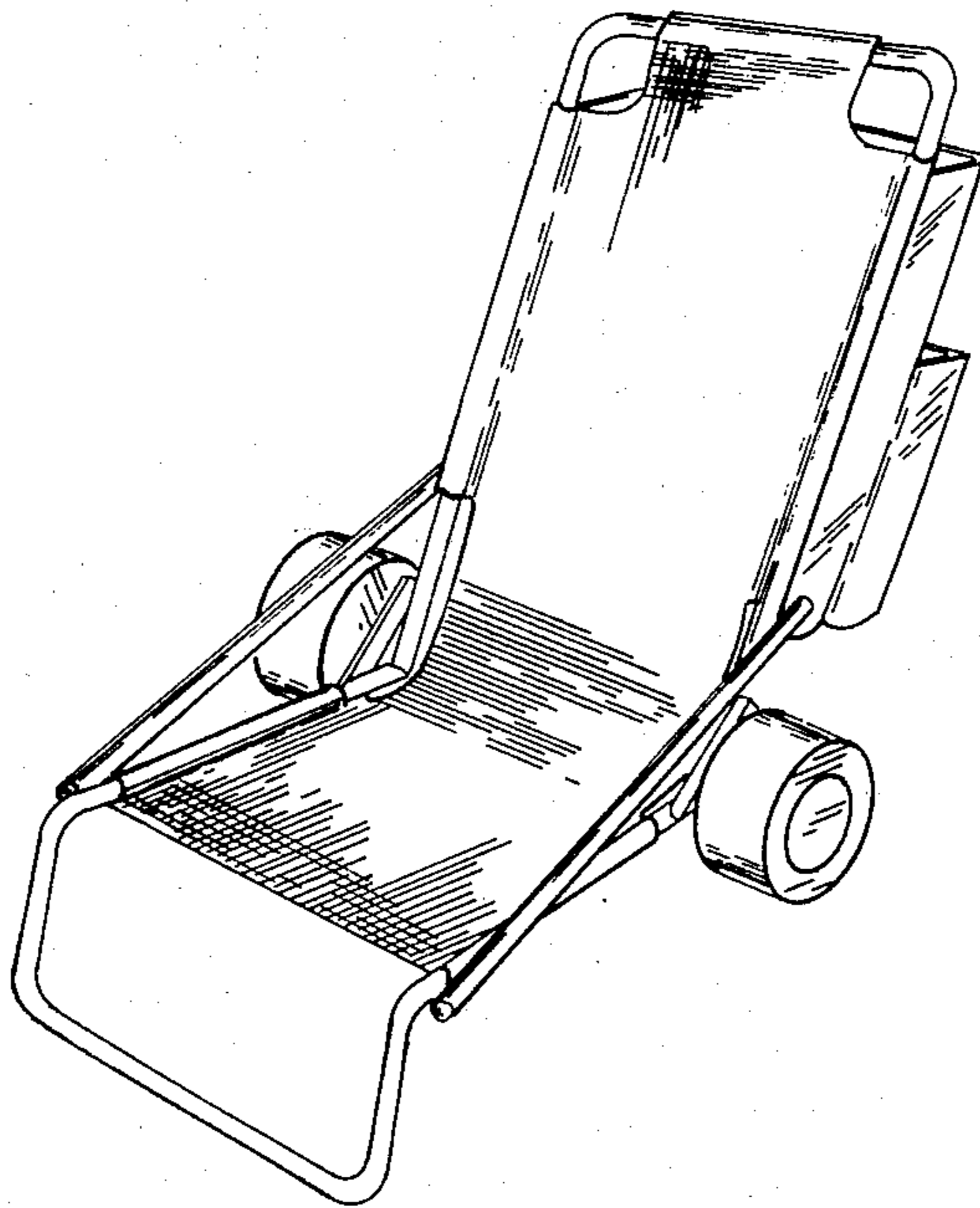
Primary Examiner—Bruce W. Dunkins
Attorney, Agent, or Firm—Lewis E. Massie

[57] **CLAIM**

The ornamental design for a combined lounge chair and article storage unit, as shown.

DESCRIPTION

FIG. 1 is a front perspective view of a combined lounge chair and article storage unit showing my design; and FIG. 2 is a rear perspective view thereof.



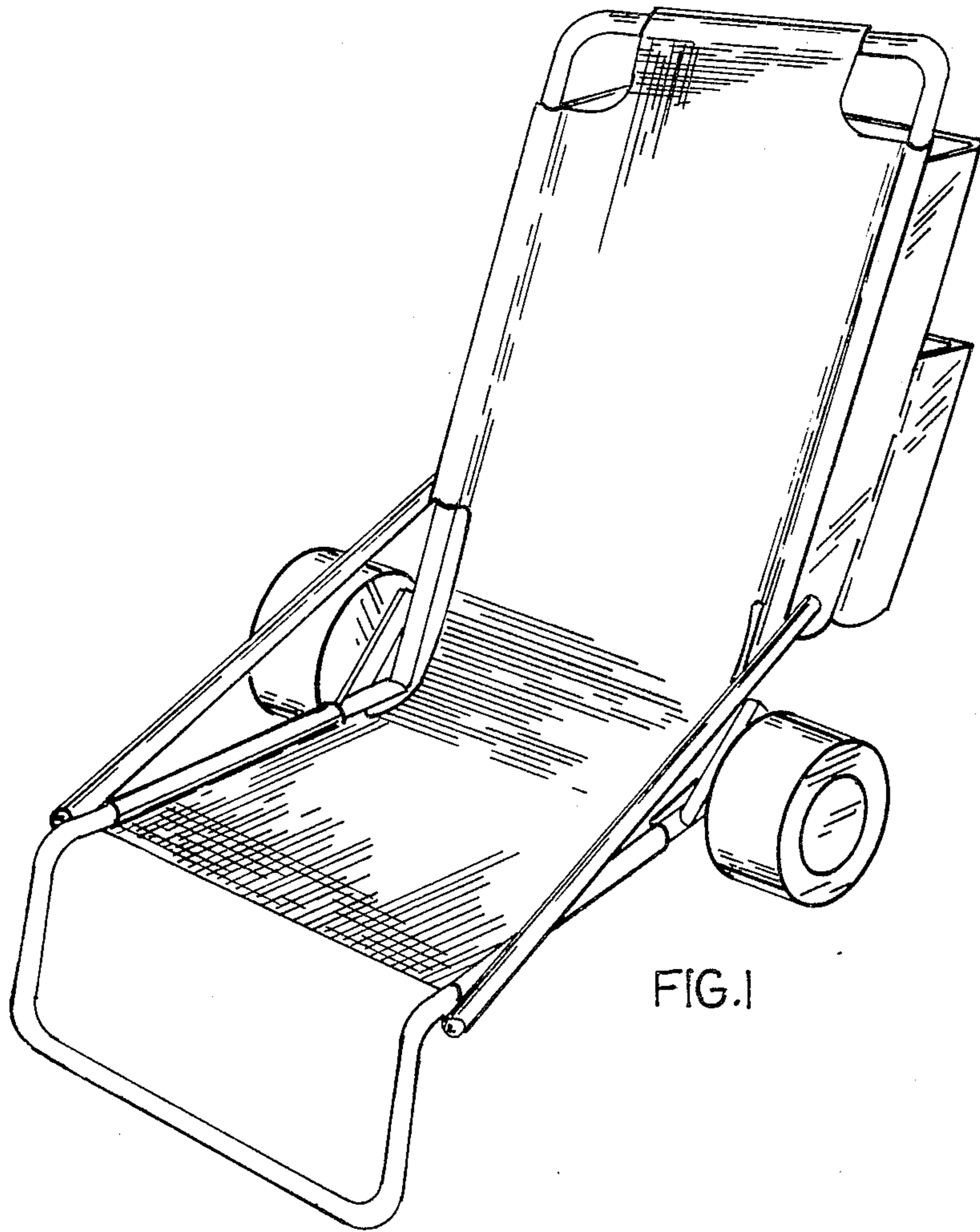


FIG. 1

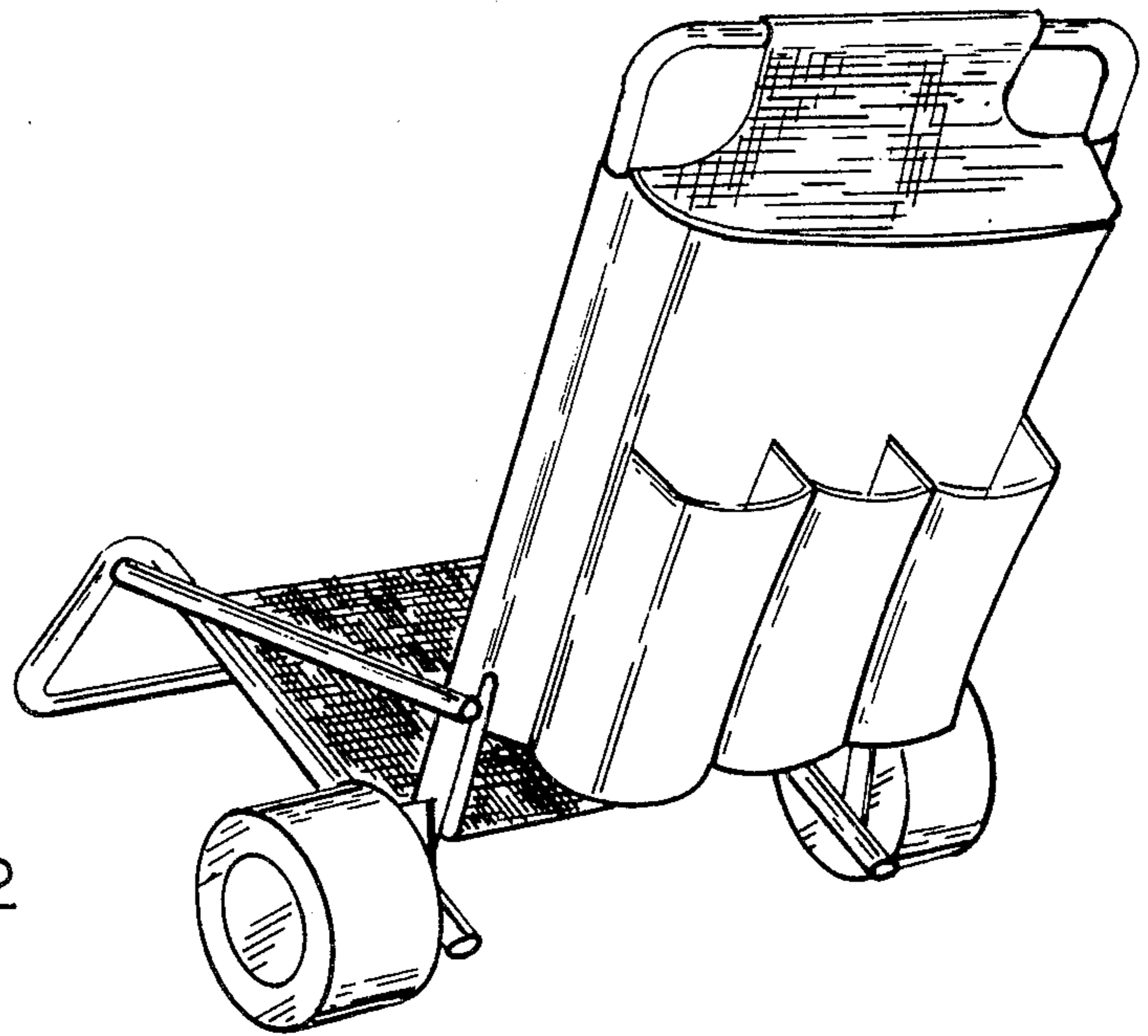


FIG. 2