

United States Patent [19]

Fomby

[11] Patent Number: **Des. 288,988**

[45] Date of Patent: **** Mar. 31, 1987**

[54] **ANIMAL MEDICINE APPLICATOR BRUSH**

[75] Inventor: **Kenneth A. Fomby, Gainesville, Tex.**

[73] Assignee: **K & D Plastics Inc., Gainesville, Tex.**

[**] Term: **14 Years**

[21] Appl. No.: **718,736**

[22] Filed: **Apr. 1, 1985**

[52] U.S. Cl. **D4/135; D9/338**

[58] Field of Search **D4/114, 127-135, D4/138; D9/338; D30/99; 15/159 R, 160, 143 R, 248 R, 171; 401/121-131, 191, 268**

[56] **References Cited**

U.S. PATENT DOCUMENTS

58,417 10/1866 Hickcox 401/127

772,382 10/1904 Sexton 401/129
1,186,115 6/1916 Miller 401/129
3,895,877 7/1975 Fomby 401/129
3,992,116 11/1976 Fomby 401/129

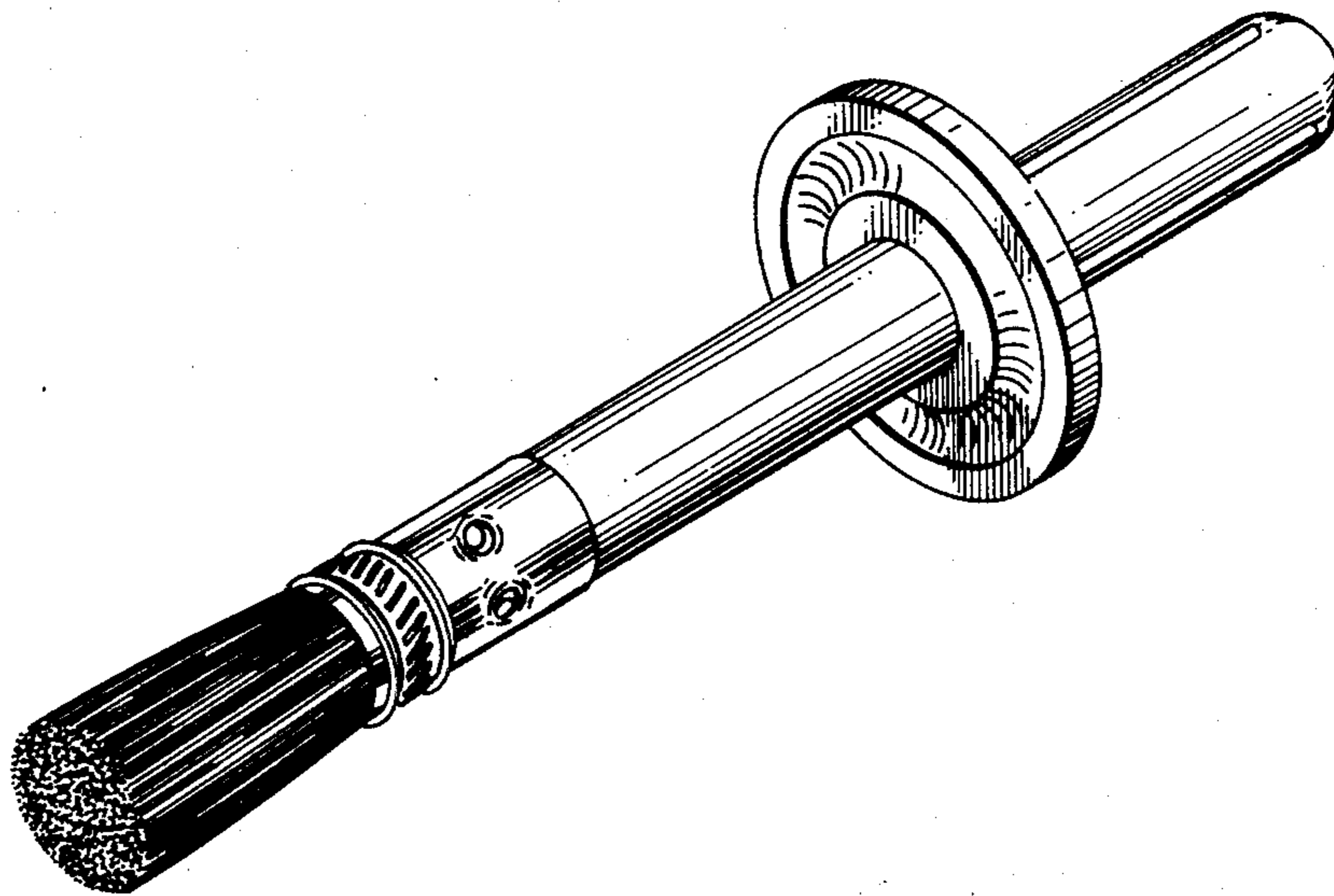
Primary Examiner—Catherine E. Kemper
Attorney, Agent, or Firm—H. Mathews Garland

[57] **CLAIM**

The ornamental design for a animal medicine applicator brush, as shown and described.

DESCRIPTION

FIG. 1 is a perspective view of an animal medicine applicator brush, showing my new design;
FIG. 2 is a side elevational view thereof;
FIG. 3 is a left end elevational view thereof;
FIG. 4 is a right end elevational view thereof.



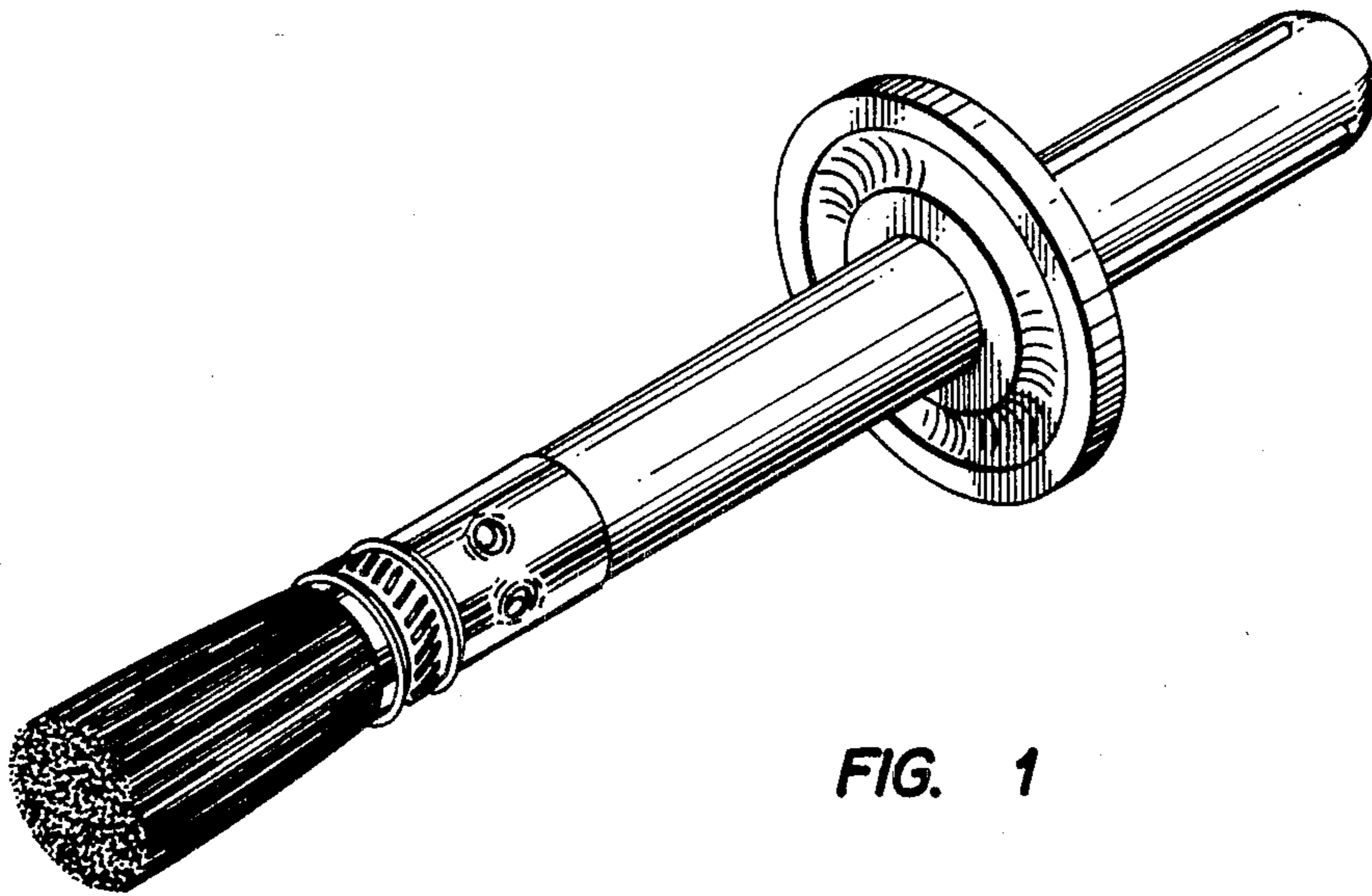


FIG. 1

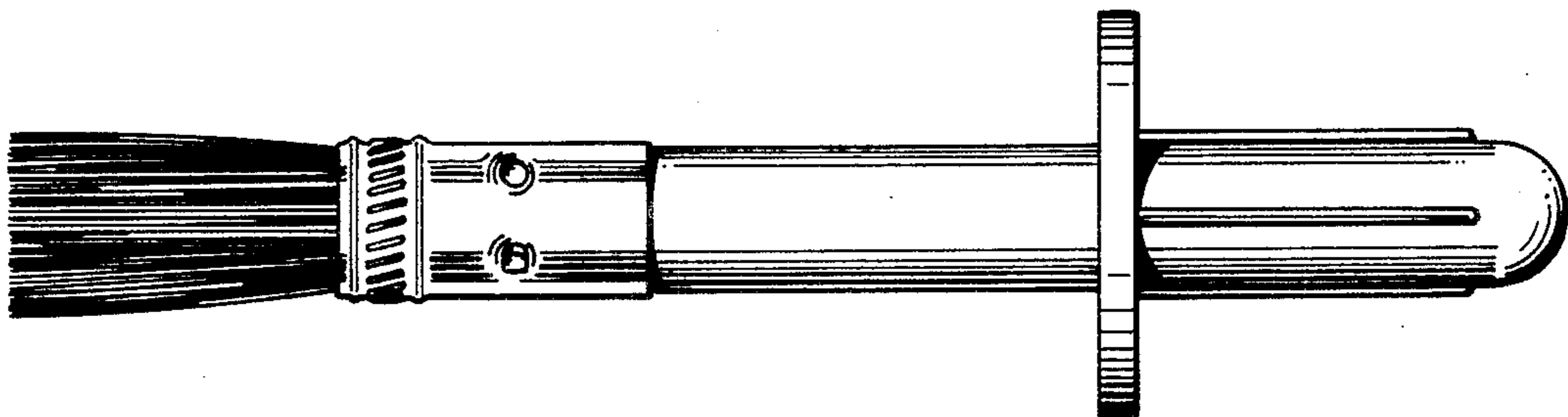


FIG. 2

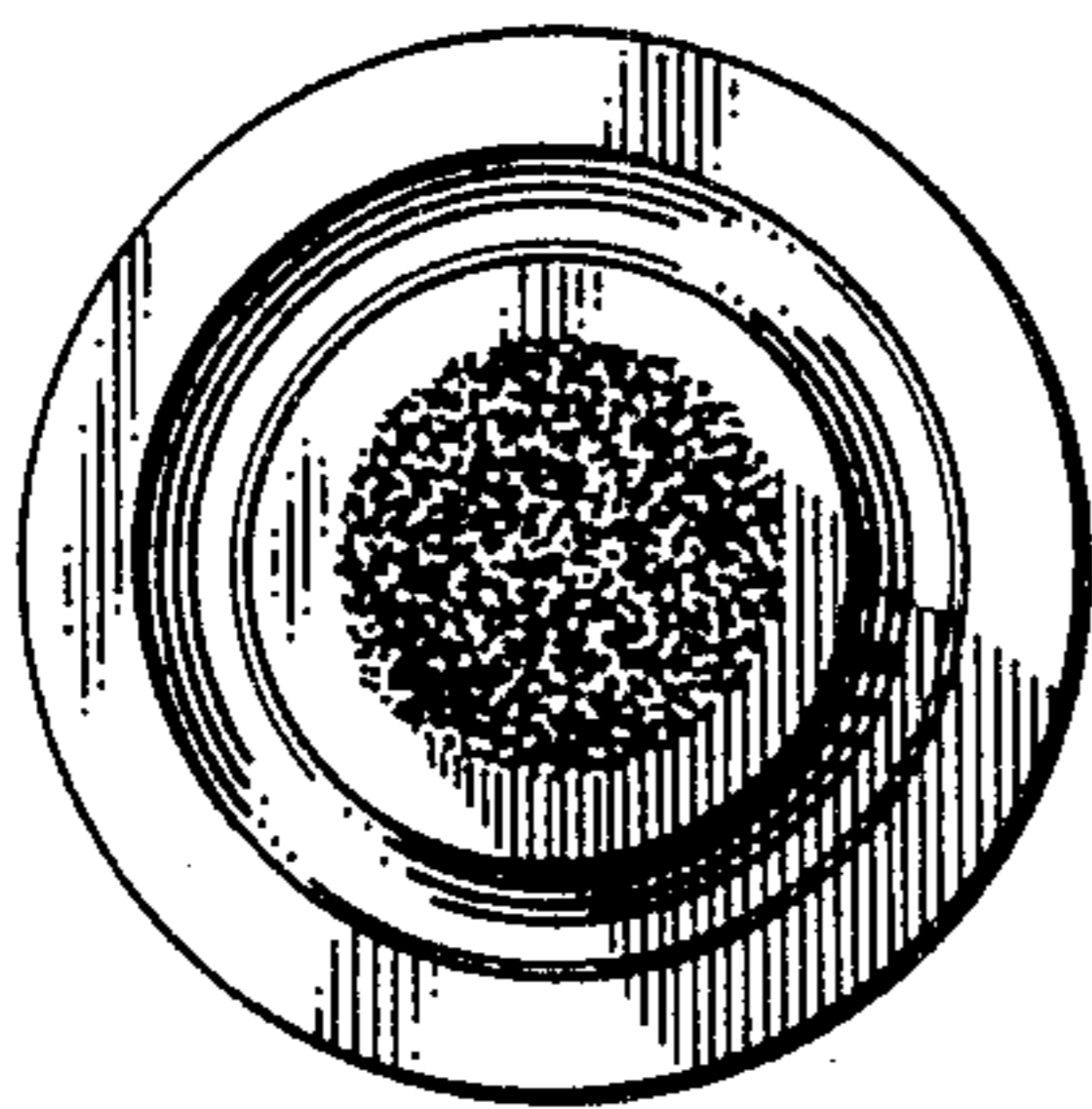


FIG. 3

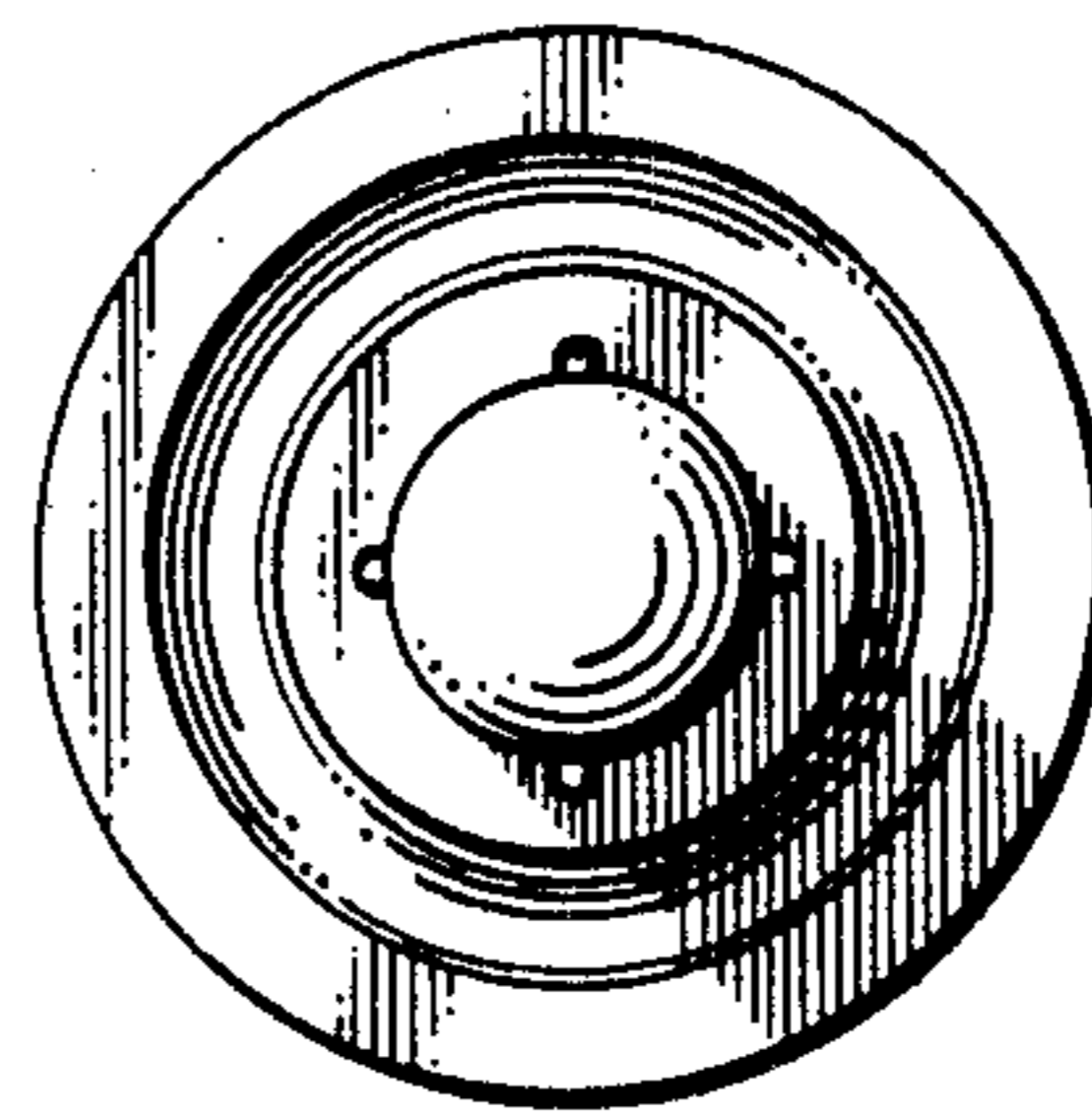


FIG. 4