

[54] **OVERNIGHT STORAGE DEVICE FOR MISCELLANEOUS POCKET ITEMS AND JEWELRY OR SIMILAR ARTICLES**

[76] Inventor: **Howard Sussman, 3101 NW. 25th Ave., Pompano Beach, Fla. 33060**

[**] Term: **14 Years**

[21] Appl. No.: **633,911**

[22] Filed: **Jul. 24, 1984**

[52] U.S. Cl. **D3/75; D3/30.1; D6/449**

[58] Field of Search **D3/30.1, 39, 74, 75; D34/40-46; D28/73, 77, 86; D19/77; D6/512, 524, 525, 449; 211/70.1, 70.6**

[56] **References Cited**

U.S. PATENT DOCUMENTS

- D. 117,401 10/1939 Long, Jr. et al. D28/73
- D. 169,433 4/1953 Goldman D7/74
- D. 234,727 4/1975 Mark D3/39
- D. 252,409 7/1979 Rose et al. D3/39
- D. 269,791 7/1983 Chatham D19/77

D. 281,929 12/1985 Strobel et al. D3/74

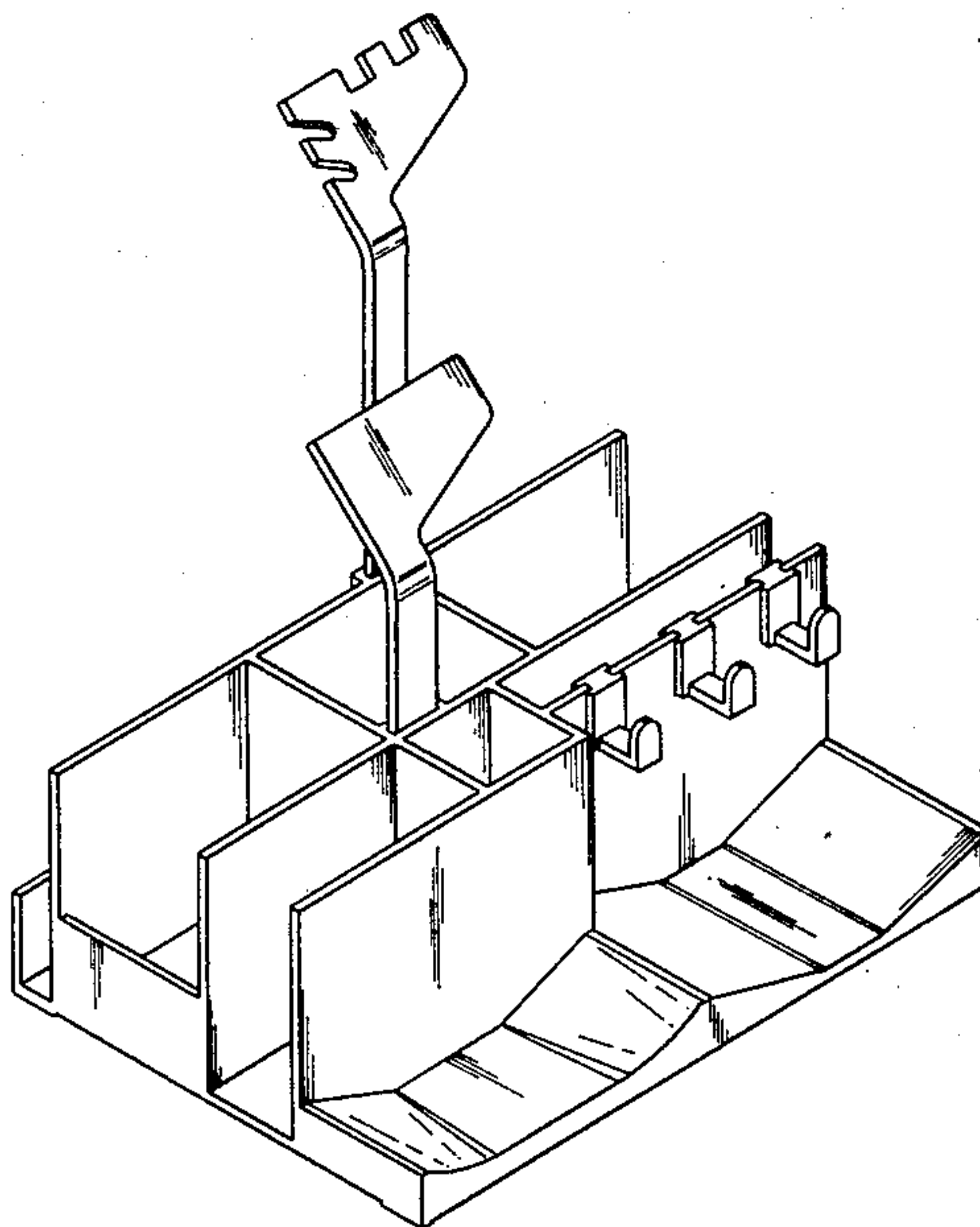
Primary Examiner—George P. Word
Attorney, Agent, or Firm—Bauer & Amer

[57] **CLAIM**

The ornamental design for an overnight storage device for miscellaneous pocket items and jewelry or similar articles, as shown and described.

DESCRIPTION

FIG. 1 is a perspective view of an overnight storage device for miscellaneous pocket items and jewelry or similar articles showing my new design;
 FIG. 2 is a front elevational view thereof;
 FIG. 3 is a left side elevational view thereof;
 FIG. 4 is a right side elevational view thereof;
 FIG. 5 is a rear elevational view thereof;
 FIG. 6 is a top plan view thereof;
 FIG. 7 is a bottom plan view thereof;
 FIG. 8 is a cross-sectional view taken along line 8—8 of FIG. 6; and
 FIG. 9 is a cross-sectional view taken along line 9—9 of FIG. 6.



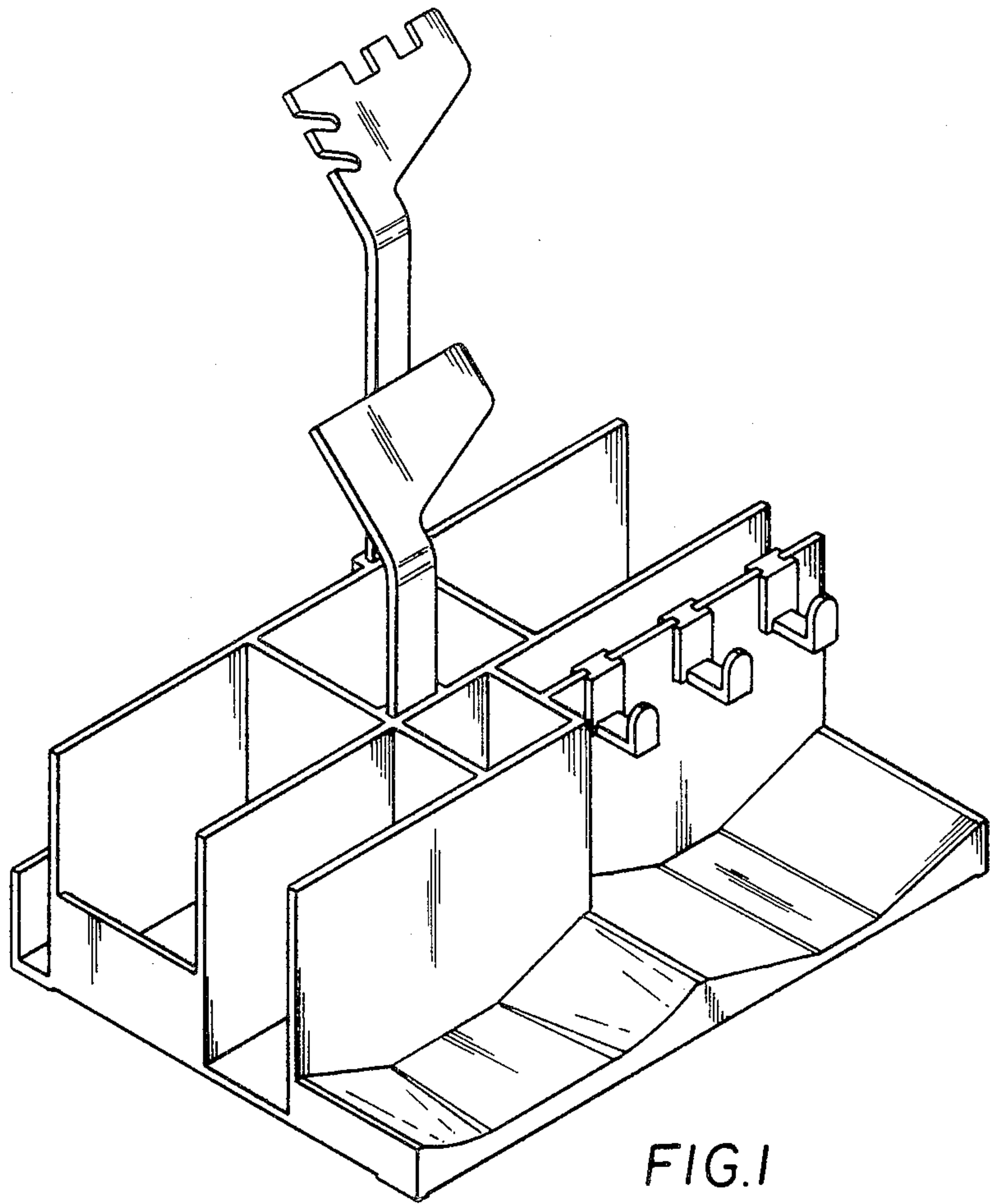


FIG. 1

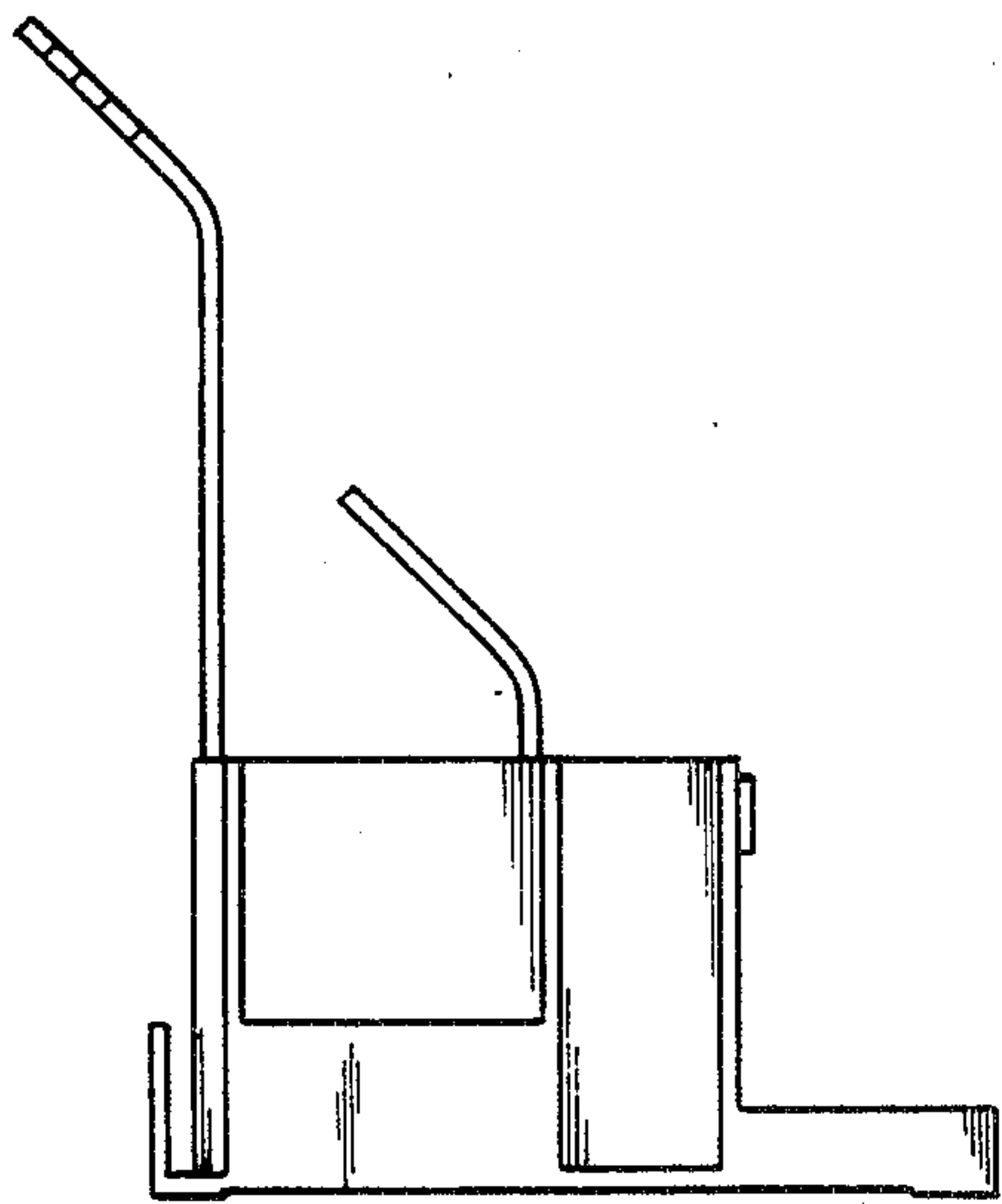


FIG. 3

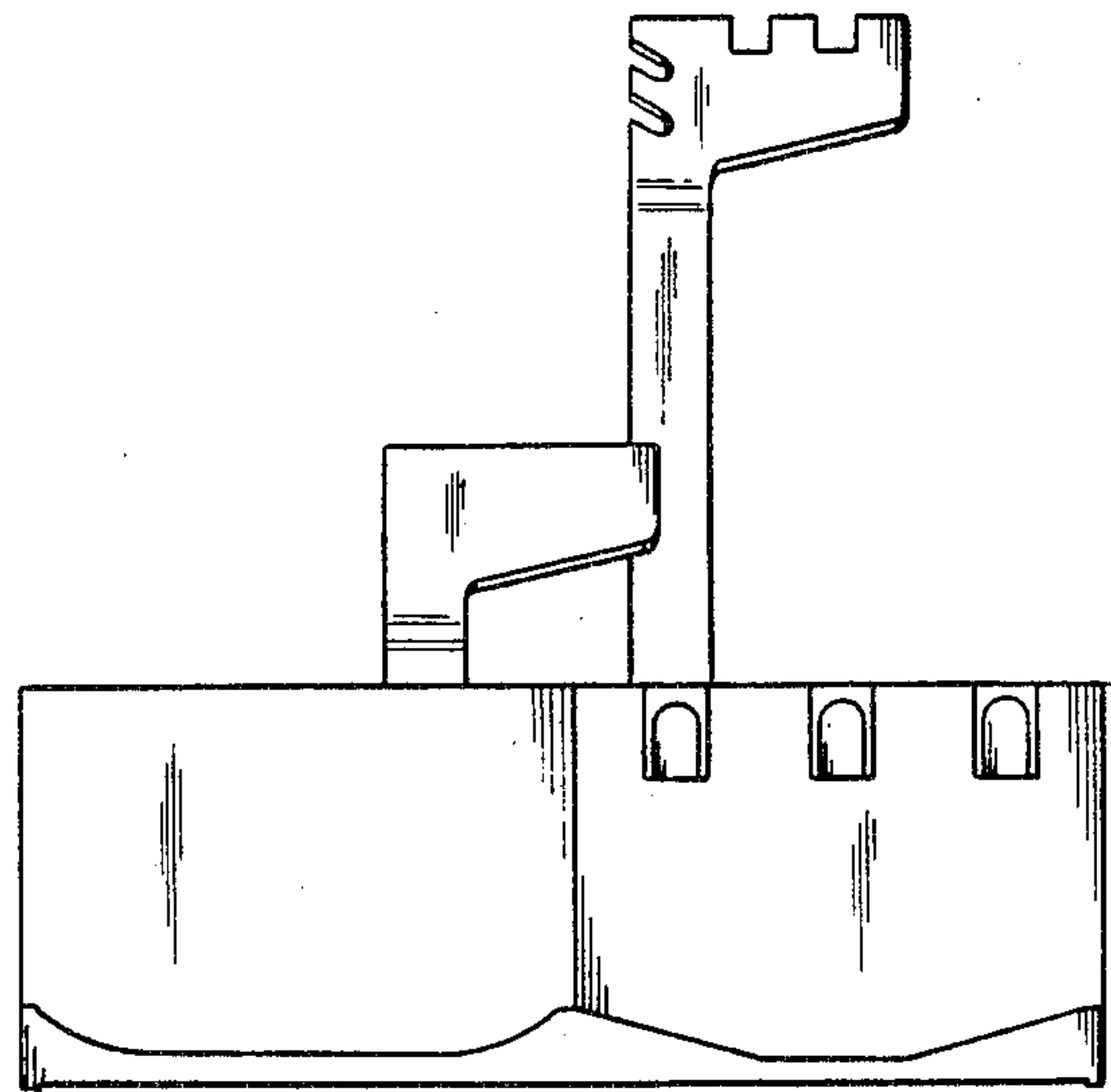


FIG. 2

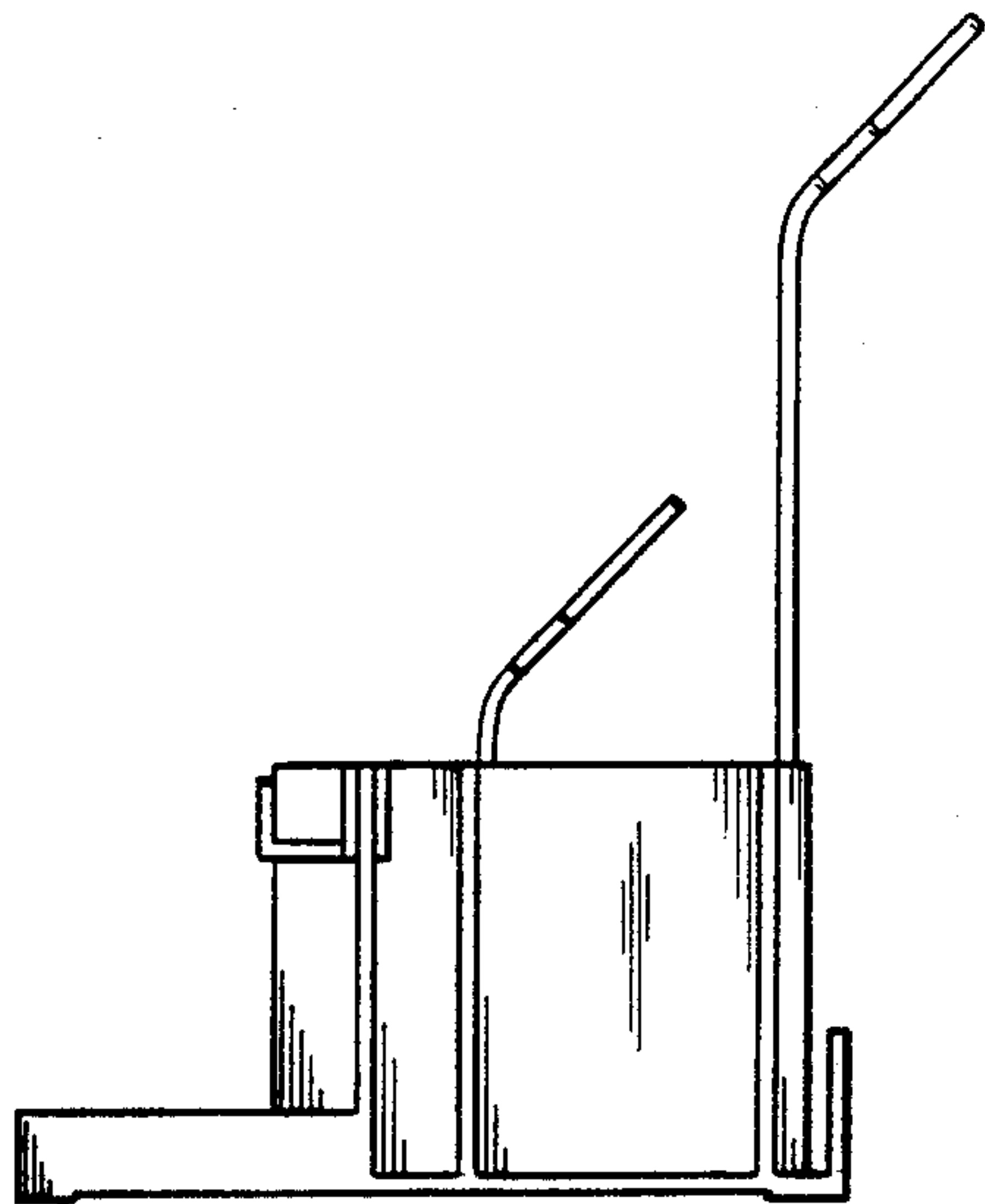


FIG. 4

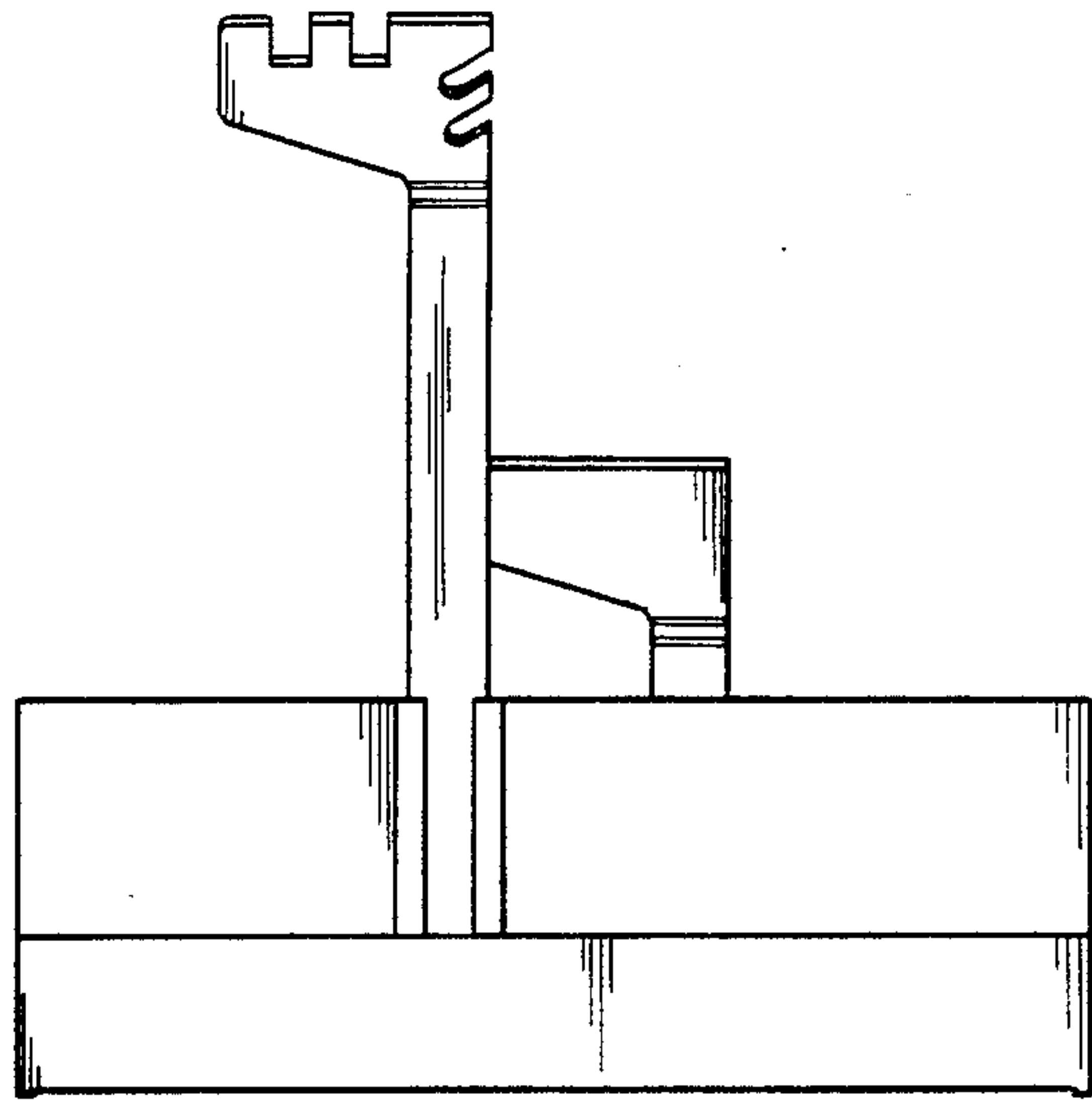


FIG. 5

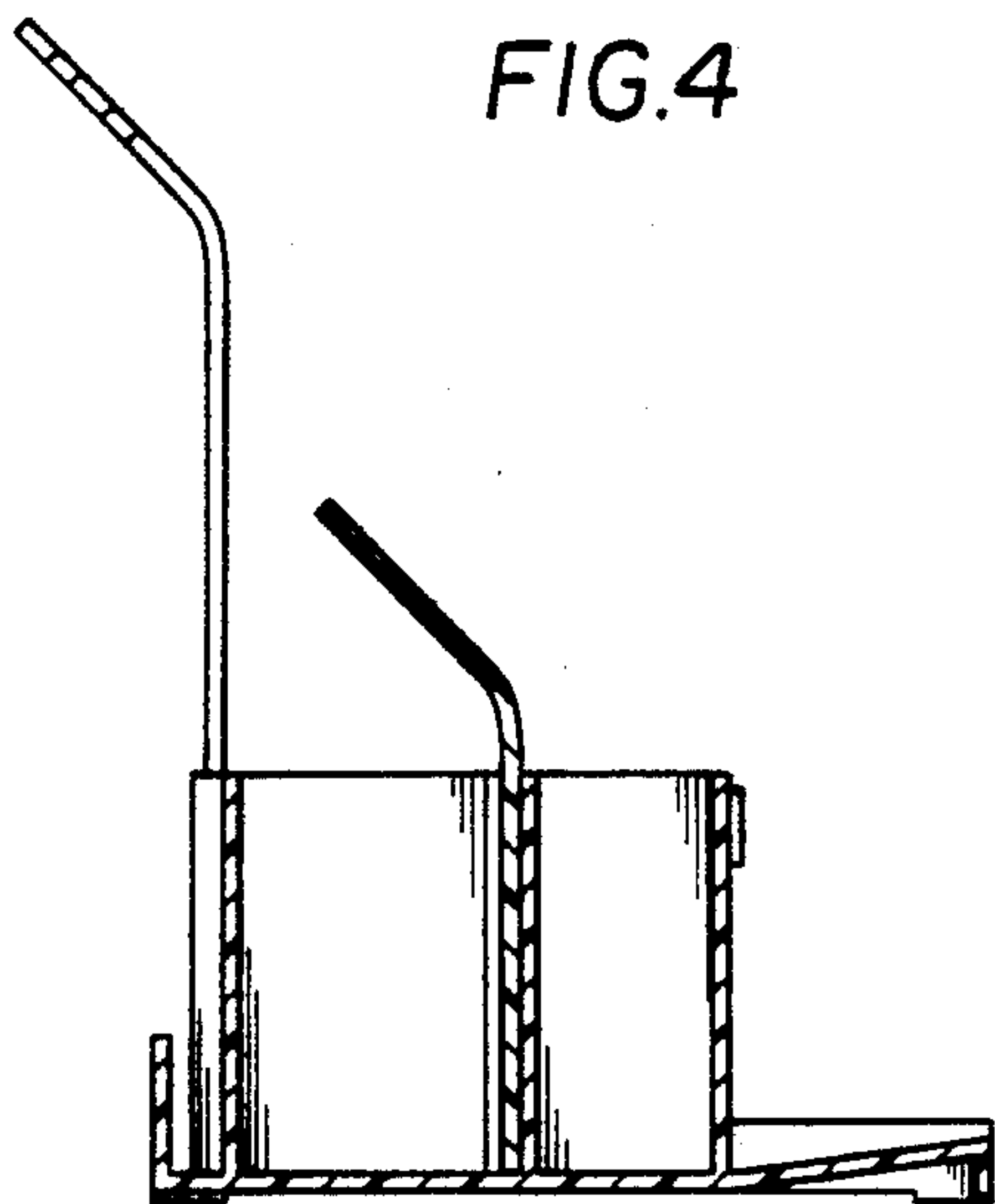


FIG. 8

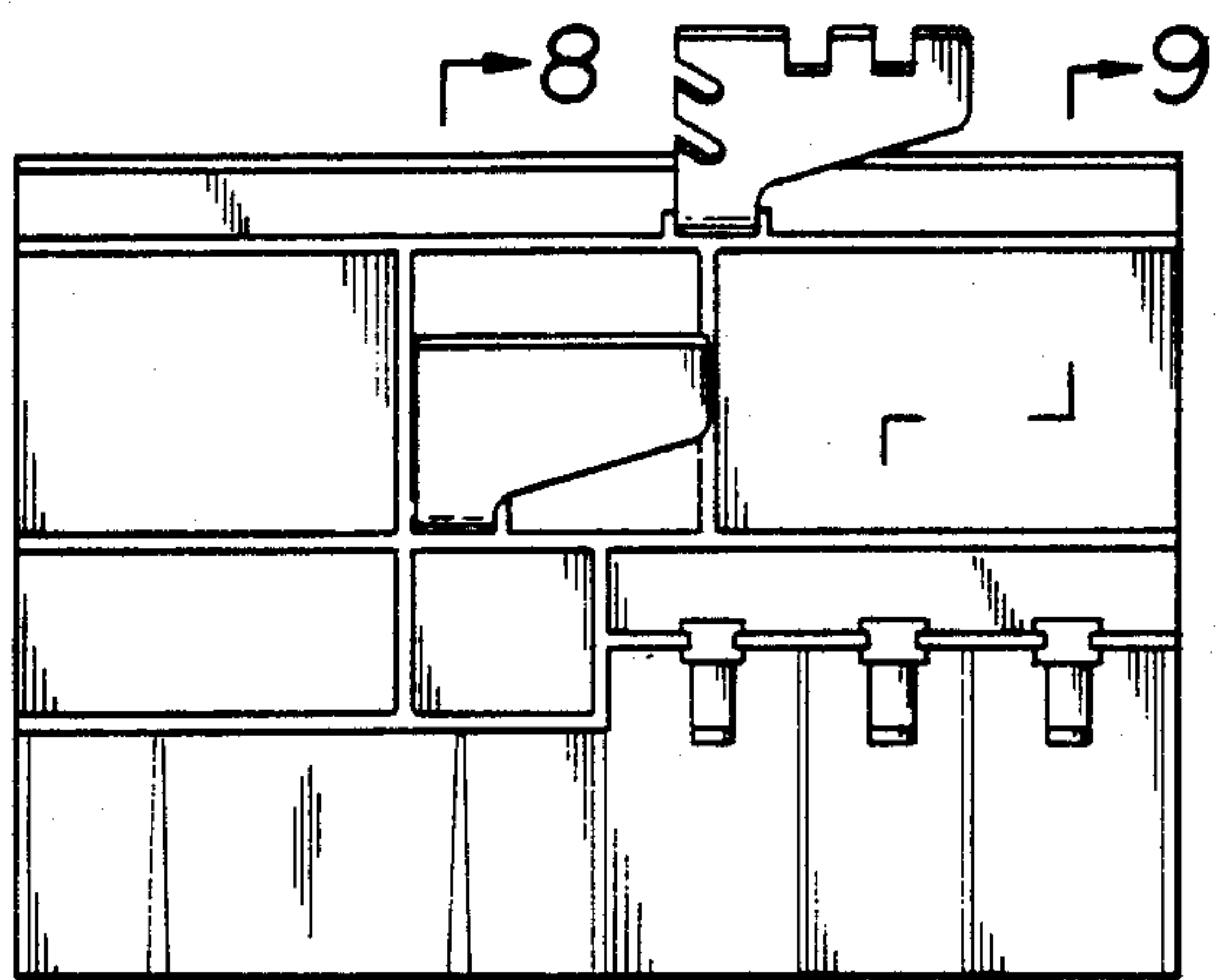


FIG. 6

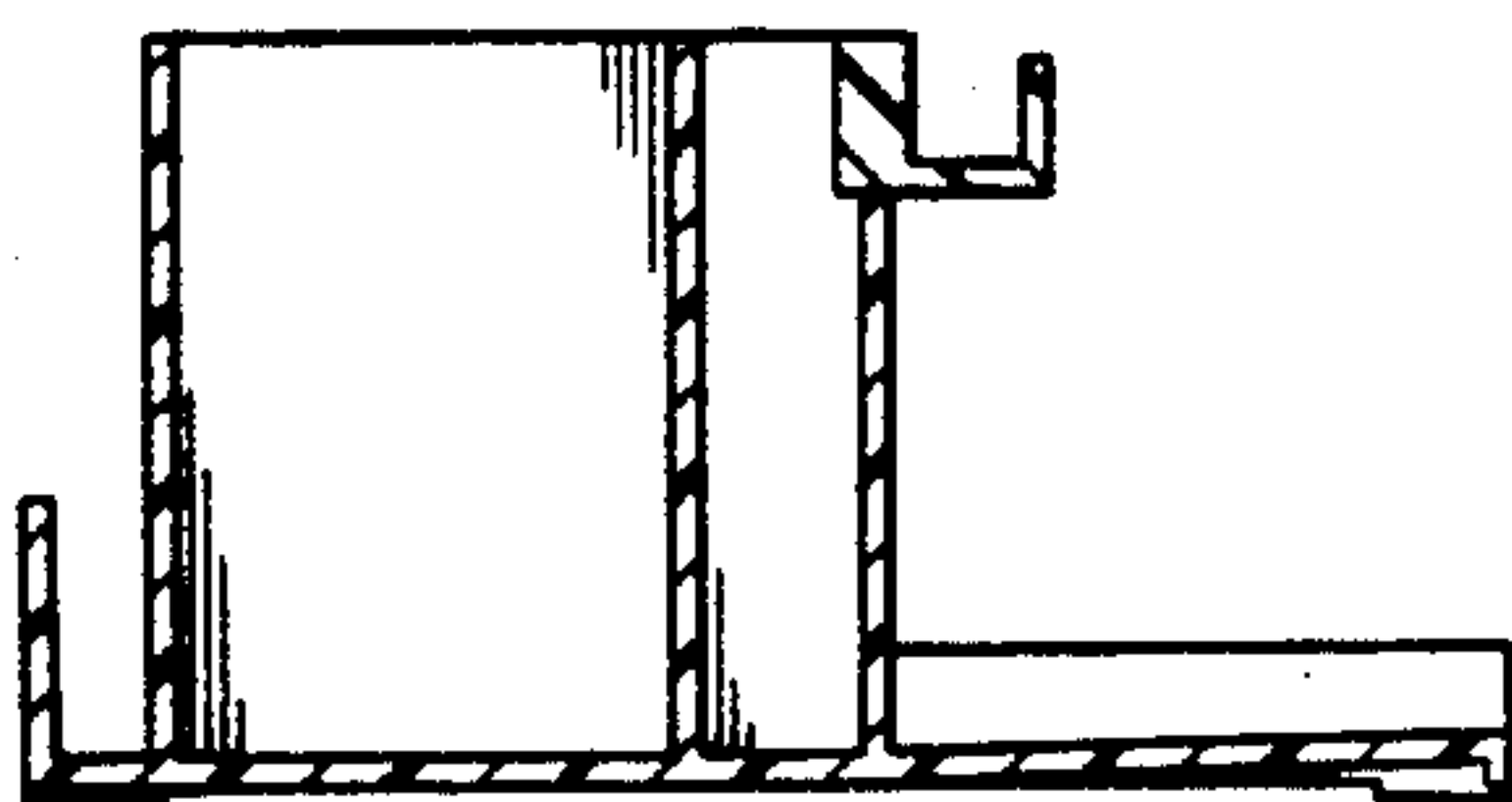


FIG. 9

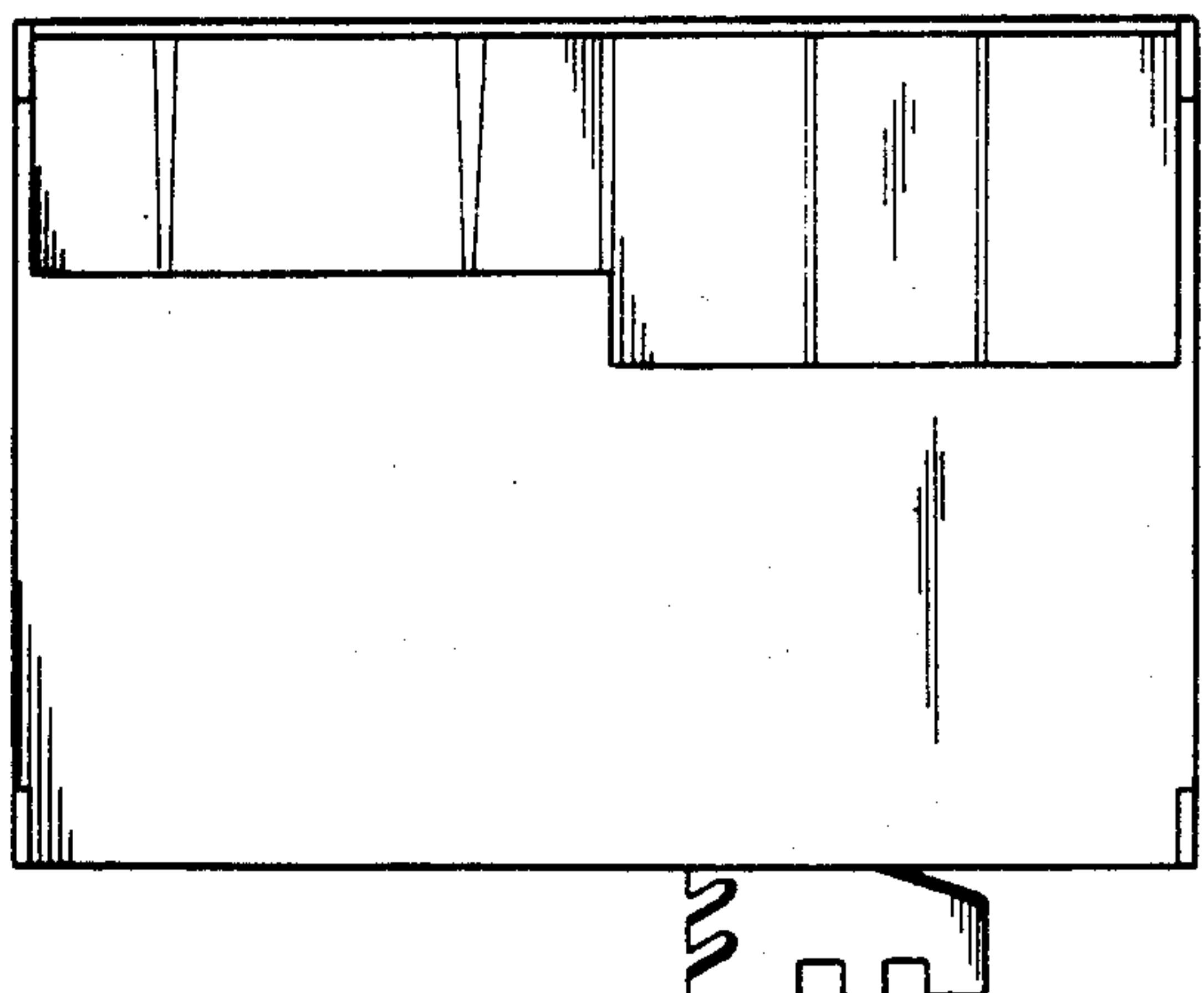


FIG. 7