

[54] TAPE CASSETTE CASE

[56] References Cited

[75] Inventor: Jean R. Talopp, Grenoble, France

U.S. PATENT DOCUMENTS

[73] Assignee: Allibert S.A., Grenoble, France

D. 224,177	7/1972	Wallace	D3/35
D. 257,649	12/1980	Belgin	D3/78
D. 280,951	10/1985	Holland	D3/35
D. 283,104	3/1986	Bigando	D3/35
4,132,311	1/1979	Glinert	D3/35

[**] Term: 14 Years

Primary Examiner—George P. Word
Attorney, Agent, or Firm—Young & Thompson

[21] Appl. No.: 648,251

[57] CLAIM

The ornamental design for a tape cassette case, as shown and described.

[22] Filed: Sep. 6, 1984

DESCRIPTION

[30] Foreign Application Priority Data

Mar. 12, 1984 [FR] France 84 1062

[52] U.S. Cl. D3/35; D3/78

[58] Field of Search D3/33, 35, 78; 206/387, 206/45.14

FIG. 1 is a perspective view of a tape cassette case showing my new design, with the cover raised; FIG. 2 is a left side elevational view thereof; and FIG. 3 is a top plan view thereof. The bottom and rear surfaces that are hidden in FIG. 1 are plain.

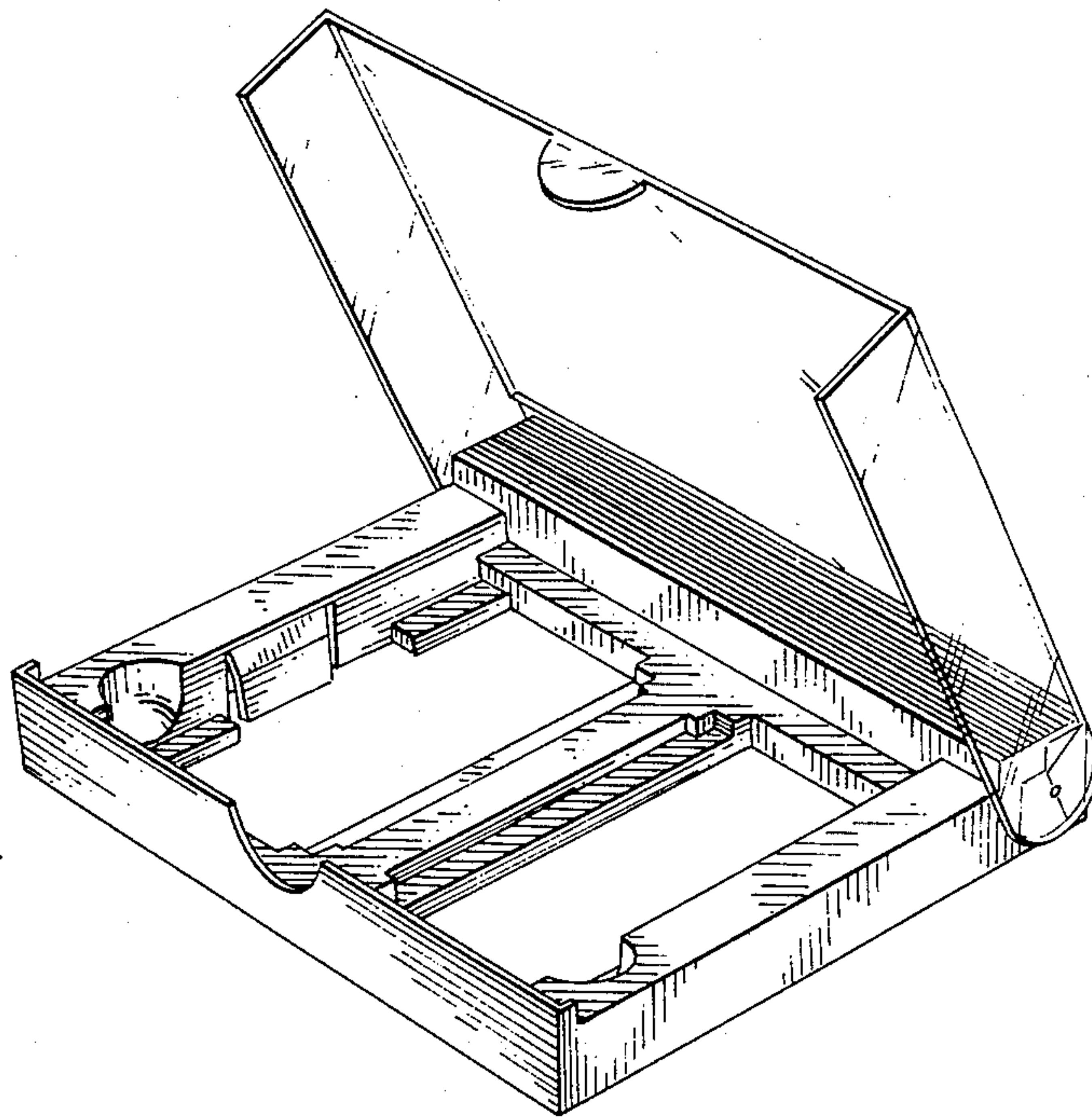


FIG. 1

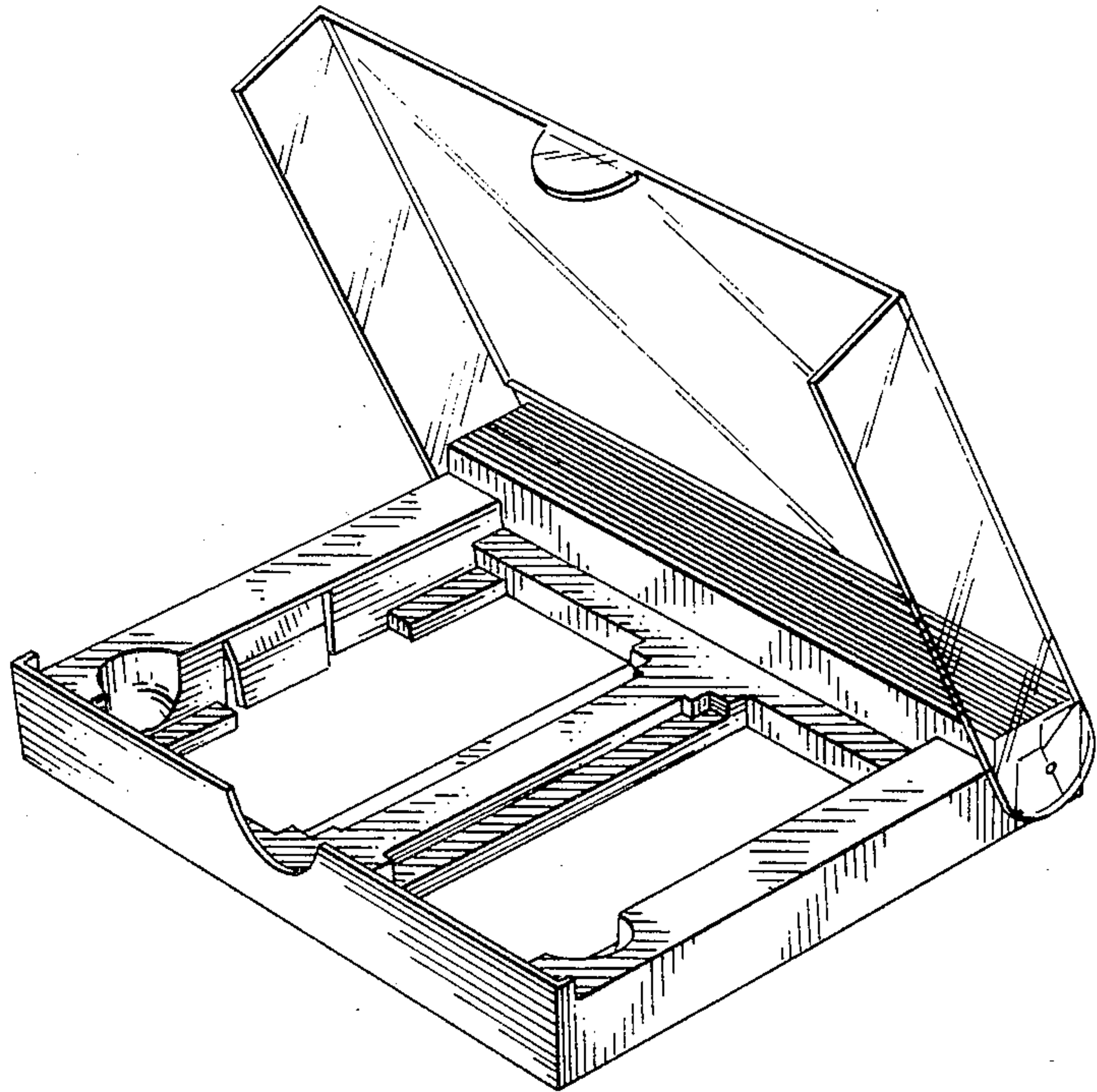


FIG. 2

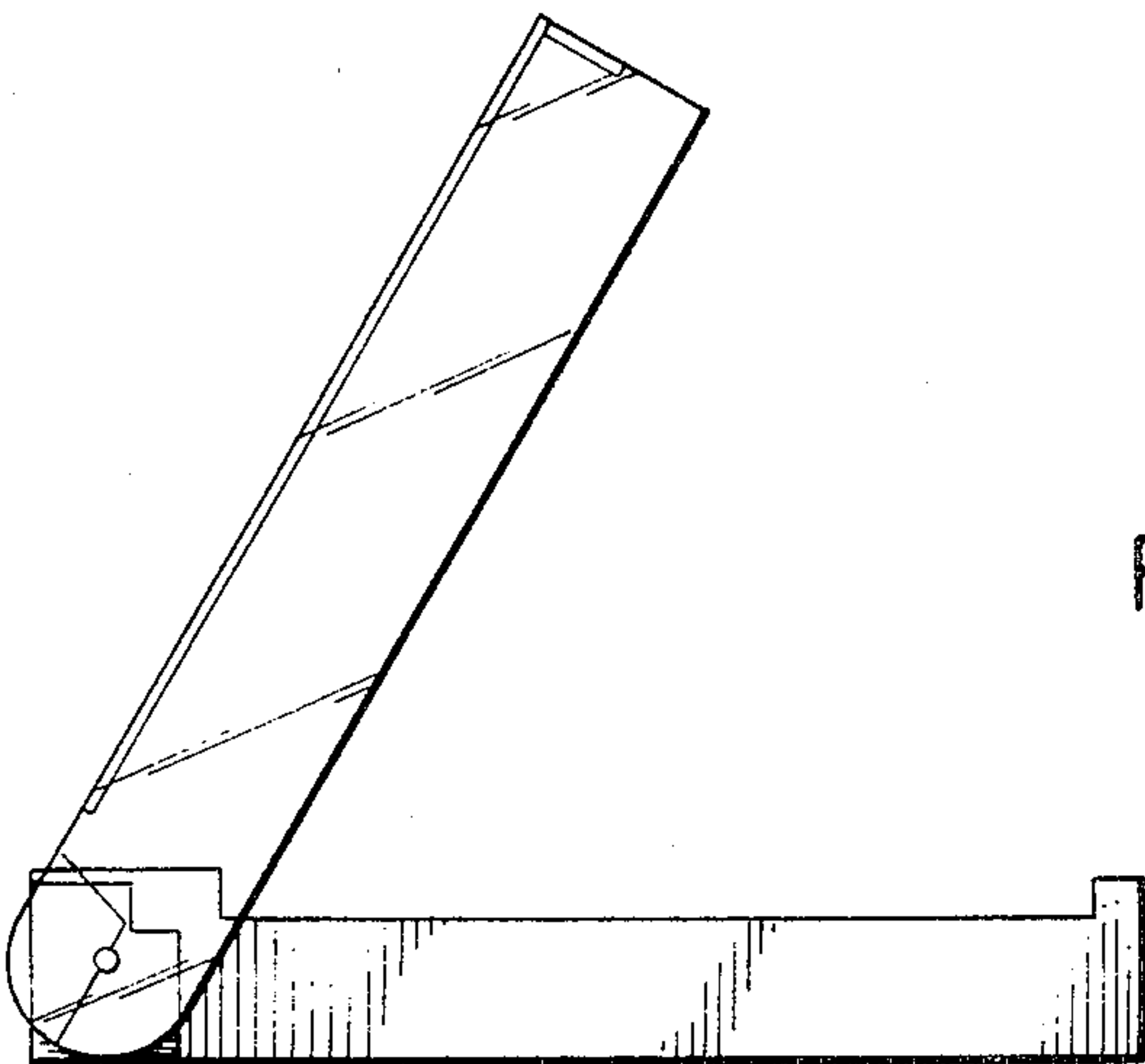


FIG. 3

