

[54] FACE PROTECTING MASK

[76] Inventor: Martin Pernicka, 10103 Pelouine, Montreal, Quebec, Canada

[**] Term: 14 Years

[21] Appl. No.: 659,223

[22] Filed: Oct. 9, 1984

[30] Foreign Application Priority Data

Jun. 11, 1984 [CA] Canada 11-06-84-3

[52] U.S. Cl. D29/17

[58] Field of Search D2/230, 231, 232, 233, D2/234; 2/9, 10, 424, 425; 446/26, 27

[56] References Cited

U.S. PATENT DOCUMENTS

D. 214,013	5/1969	Jones	D2/233
257,073	4/1979	Jenkins	D2/232
257,698	11/1978	Skottheim	D2/231
265,520	9/1980	Gooding	D2/231

D. 280,460	9/1985	Grönberg et al.	D2/233
3,897,597	7/1973	Kasper	2/9
3,984,875	8/1975	Farquharson	2/10
4,021,858	3/1976	Neeld	2/9
4,028,743	6/1977	Christensen	2/424
4,031,564	6/1977	Wood	2/9
4,097,929	7/1978	Lowe et al.	2/10
4,462,119	7/1984	Rudd	2/424

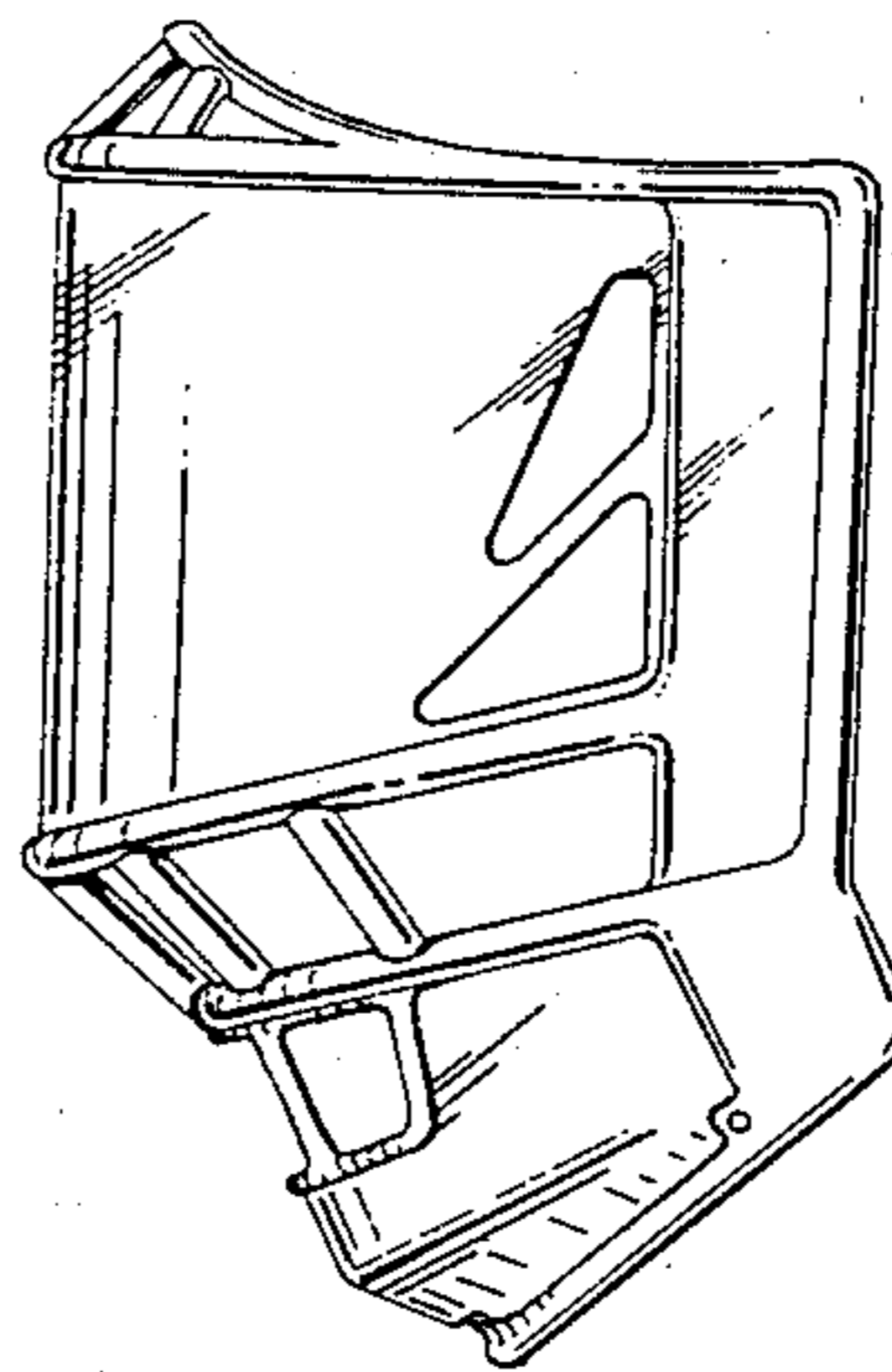
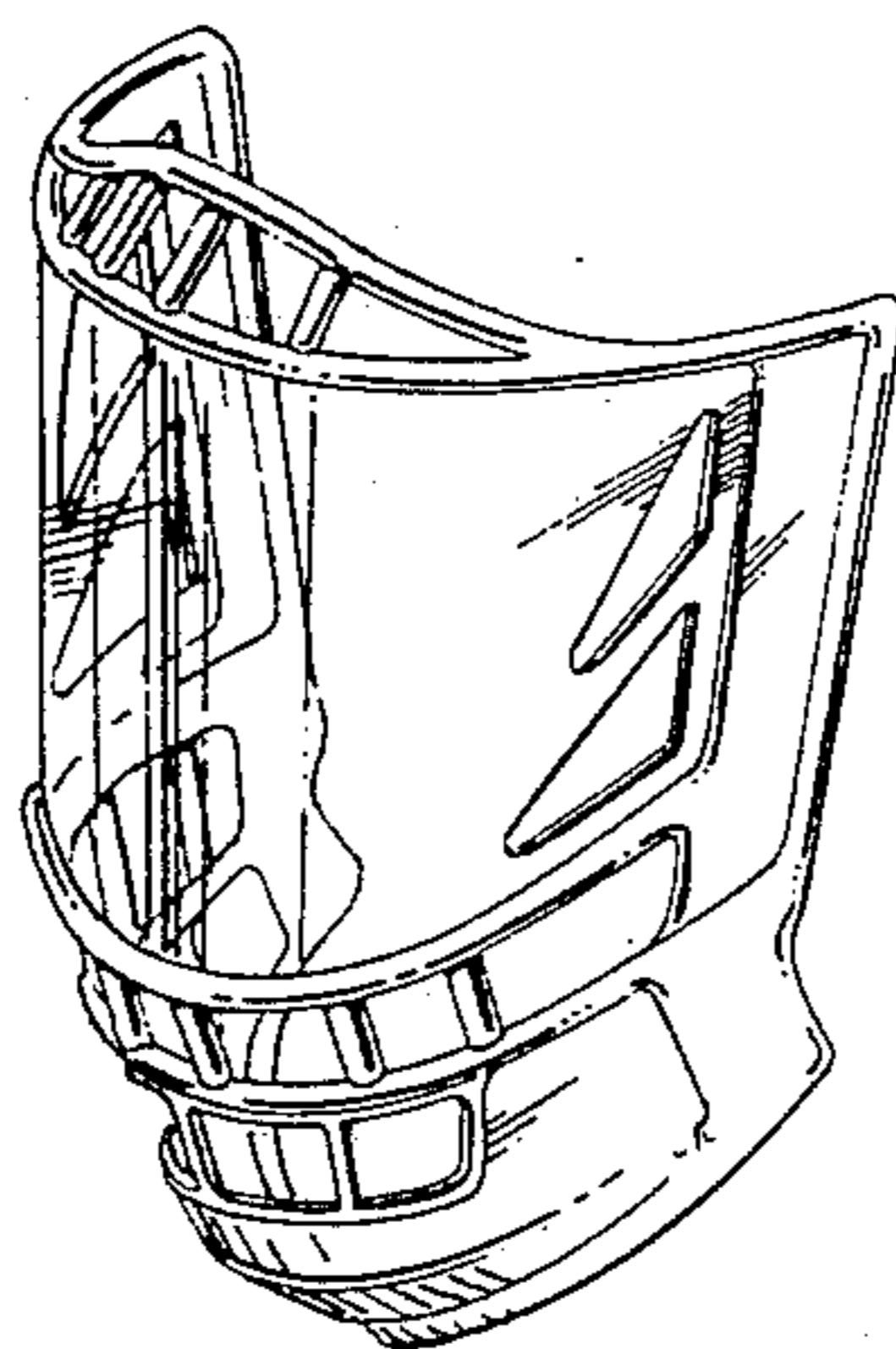
Primary Examiner—Carmen H. Vales

[57] CLAIM

The ornamental design for a face protecting mask, as shown and described.

DESCRIPTION

FIG. 1 is a perspective view of a face protecting mask showing my new design;
 FIG. 2 is a front elevational view thereof;
 FIG. 3 is a right side elevational view the left side being a mirror image thereof;
 FIG. 4 is a rear elevational view thereof;
 FIG. 5 is a bottom plan view thereof; and
 FIG. 6 is a top plan view thereof.



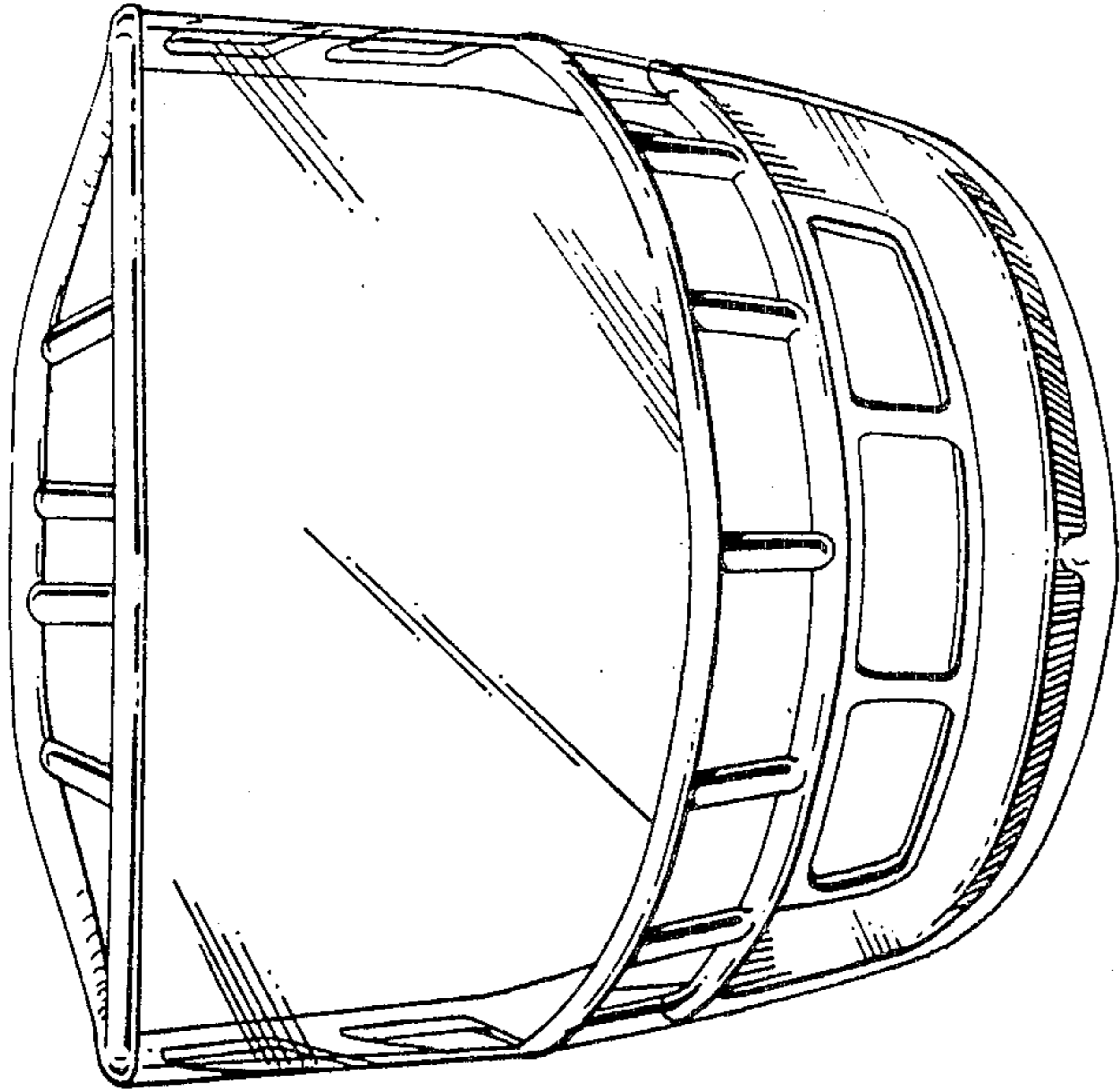


FIG. 2

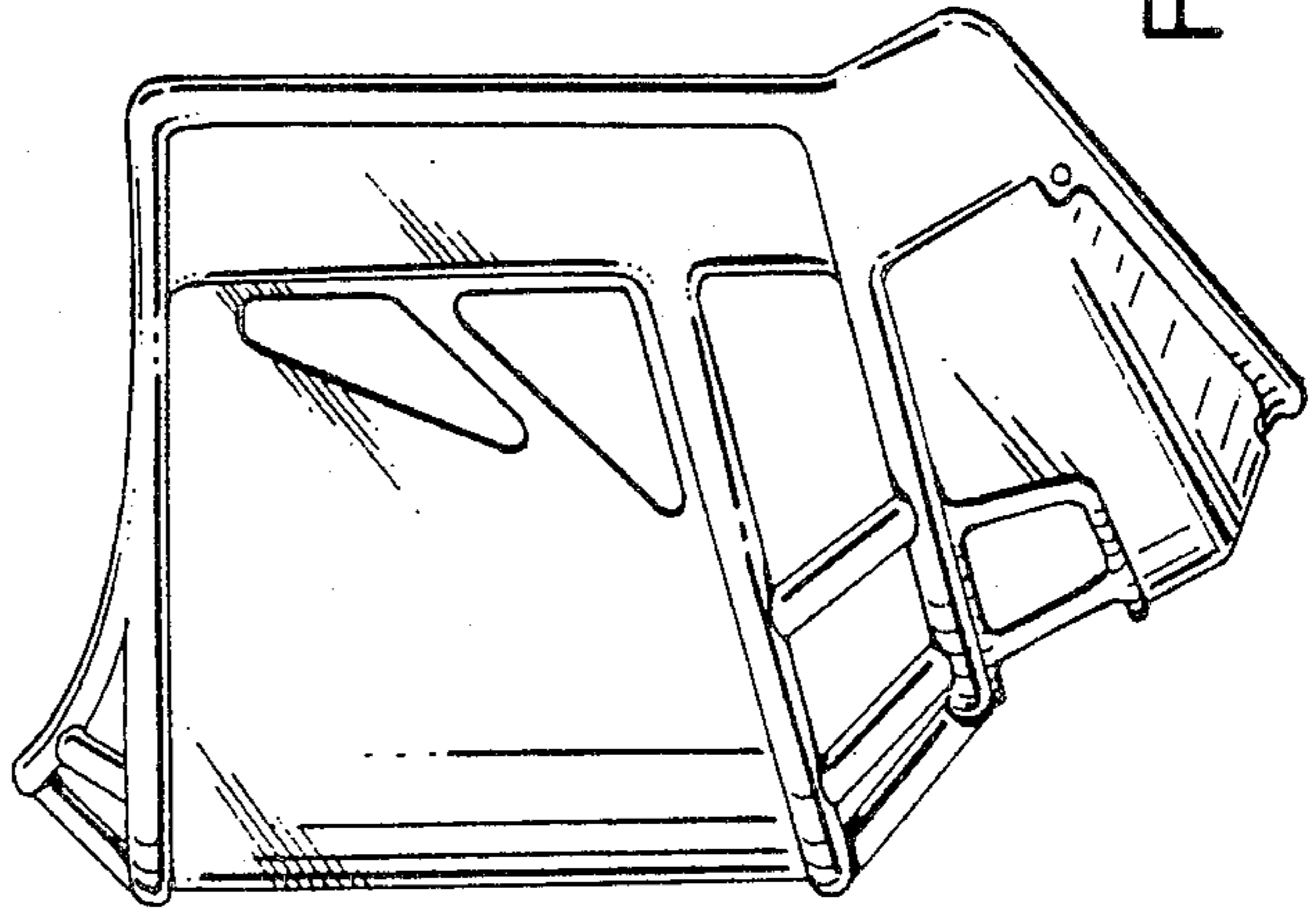


FIG. 3

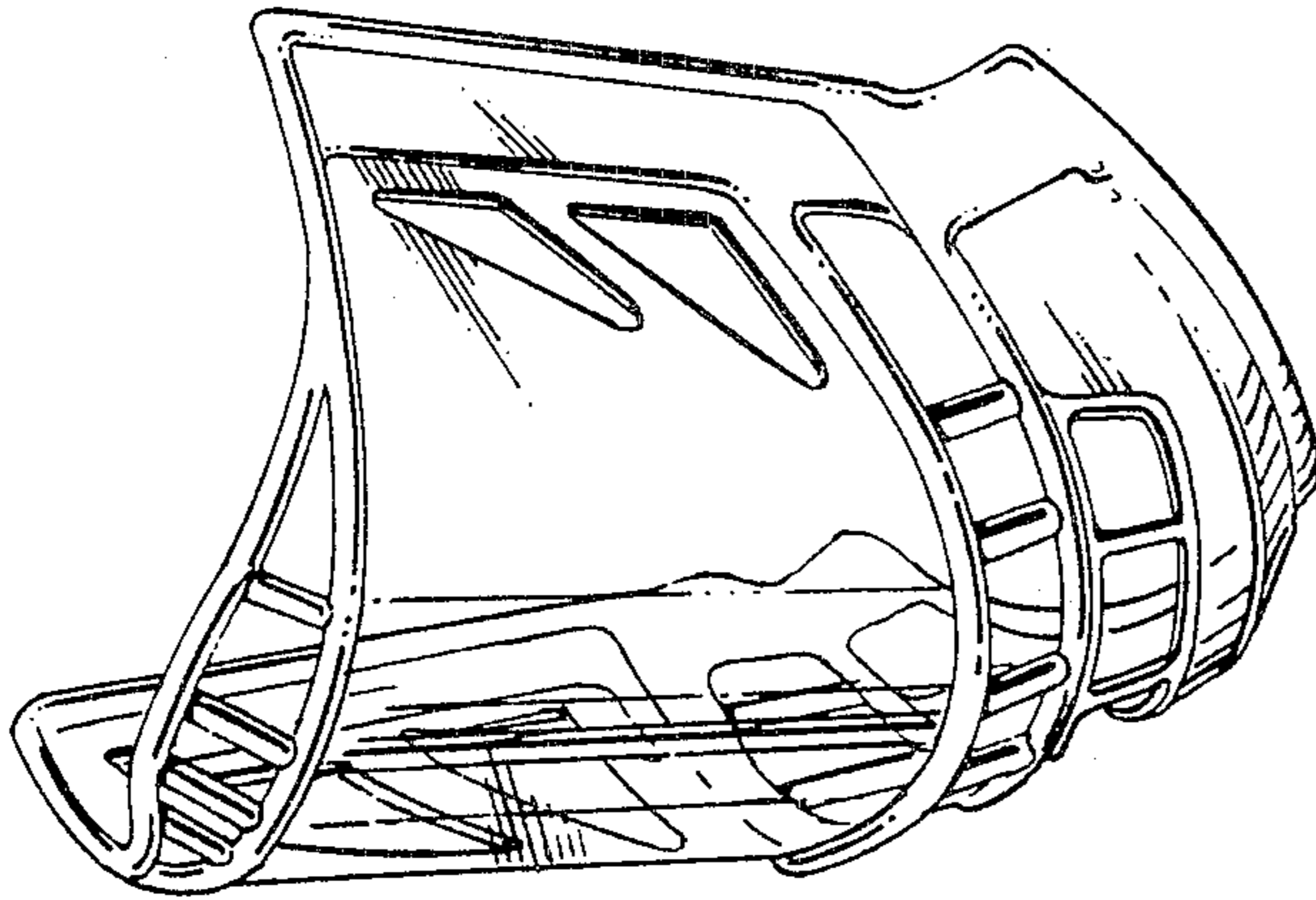


FIG. 1

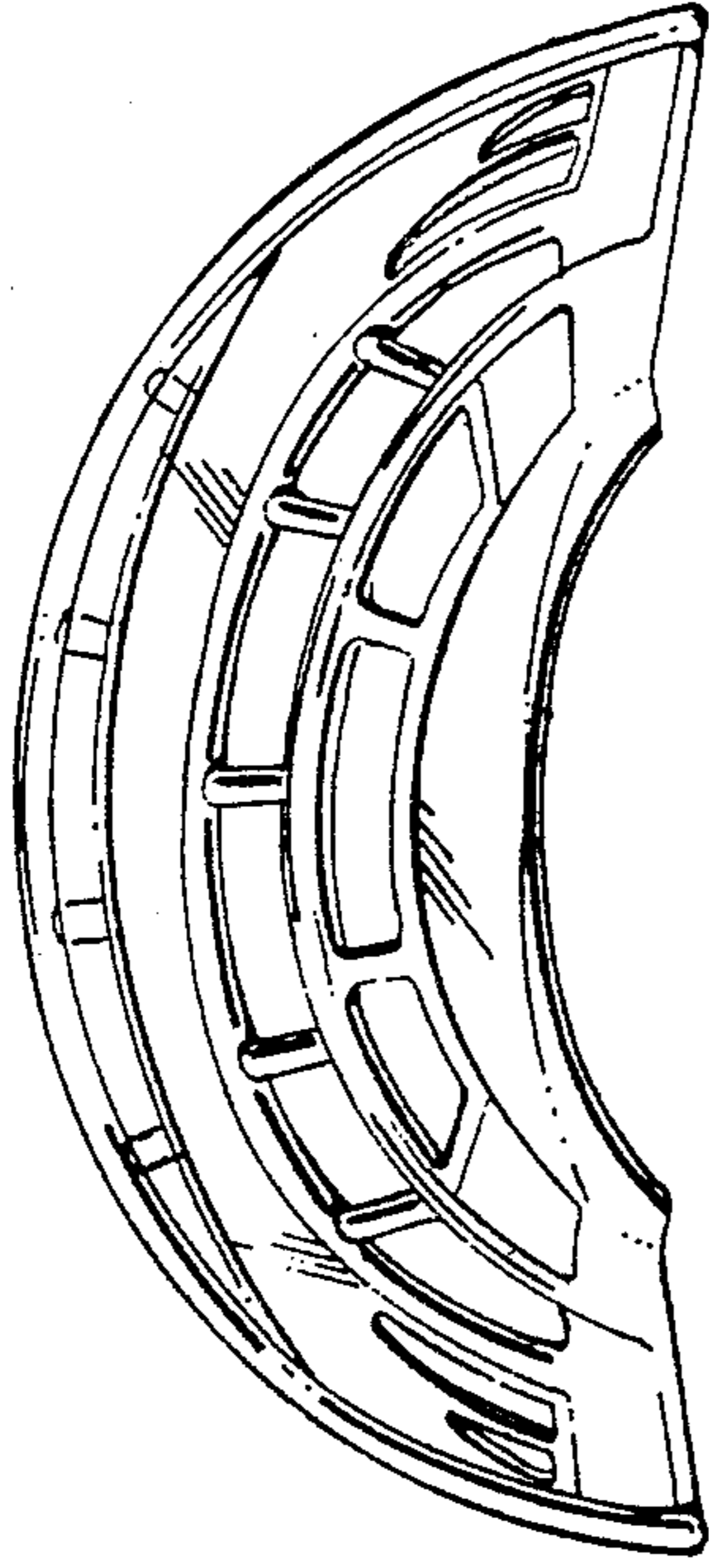


FIG. 5

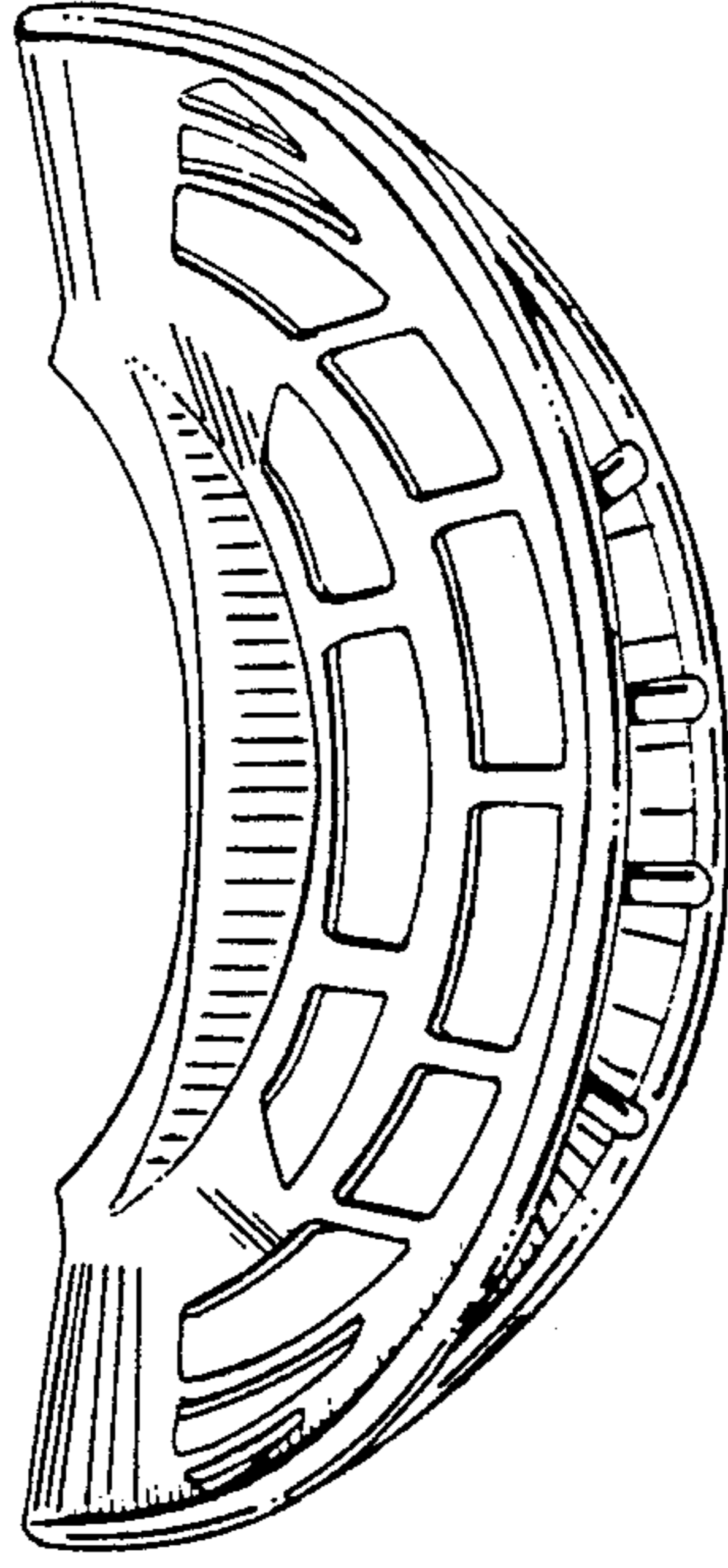


FIG. 6

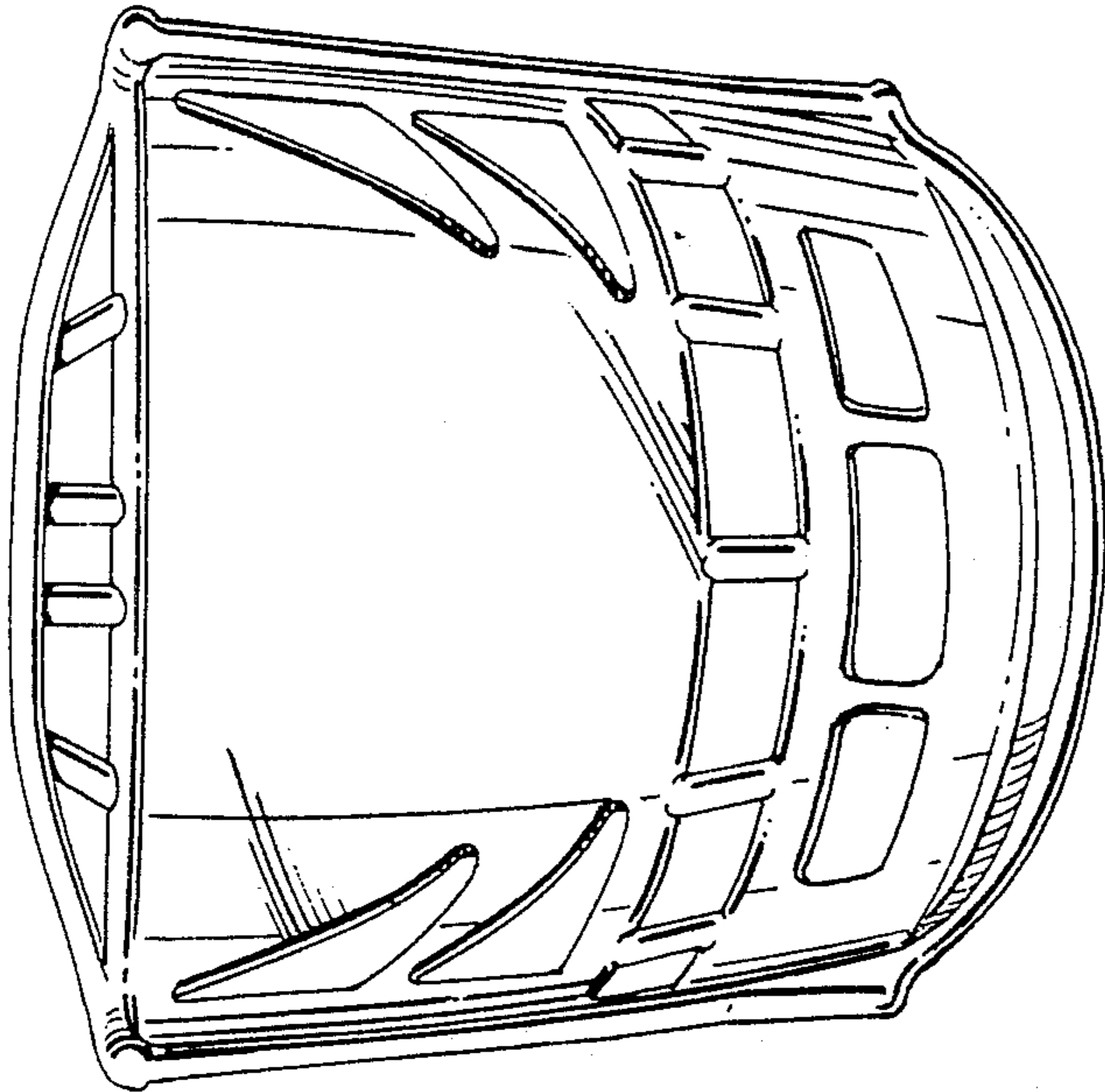


FIG. 4