

[54] PALLET

4,413,737 11/1983 Wind 108/53.1

[75] Inventor: Joseph H. Wind, Taylors, S.C.

Primary Examiner—James M. Gandy

Assistant Examiner—Kay H. Chin

[73] Assignee: Bigelow-Sanford, Inc., Greenville, S.C.

Attorney, Agent, or Firm—Bell, Seltzer, Park & Gibson

[**] Term: 14 Years

[57] CLAIM

The ornamental design for a pallet, substantially as shown and described.

[21] Appl. No.: 655,549

DESCRIPTION

[22] Filed: Sep. 28, 1984

[52] U.S. Cl. D34/38

[58] Field of Search D34/38; 108/51.1, 52.1, 108/53.3, 55.3

FIG. 1 is a top perspective view of the pallet showing my new design;

FIG. 2 is a front elevation thereof looking in the direction of arrow 2 in FIG. 1;

FIG. 3 is a bottom perspective view thereof;

FIG. 4 is a side elevational view thereof looking in the direction of arrow 4 in FIG. 1;

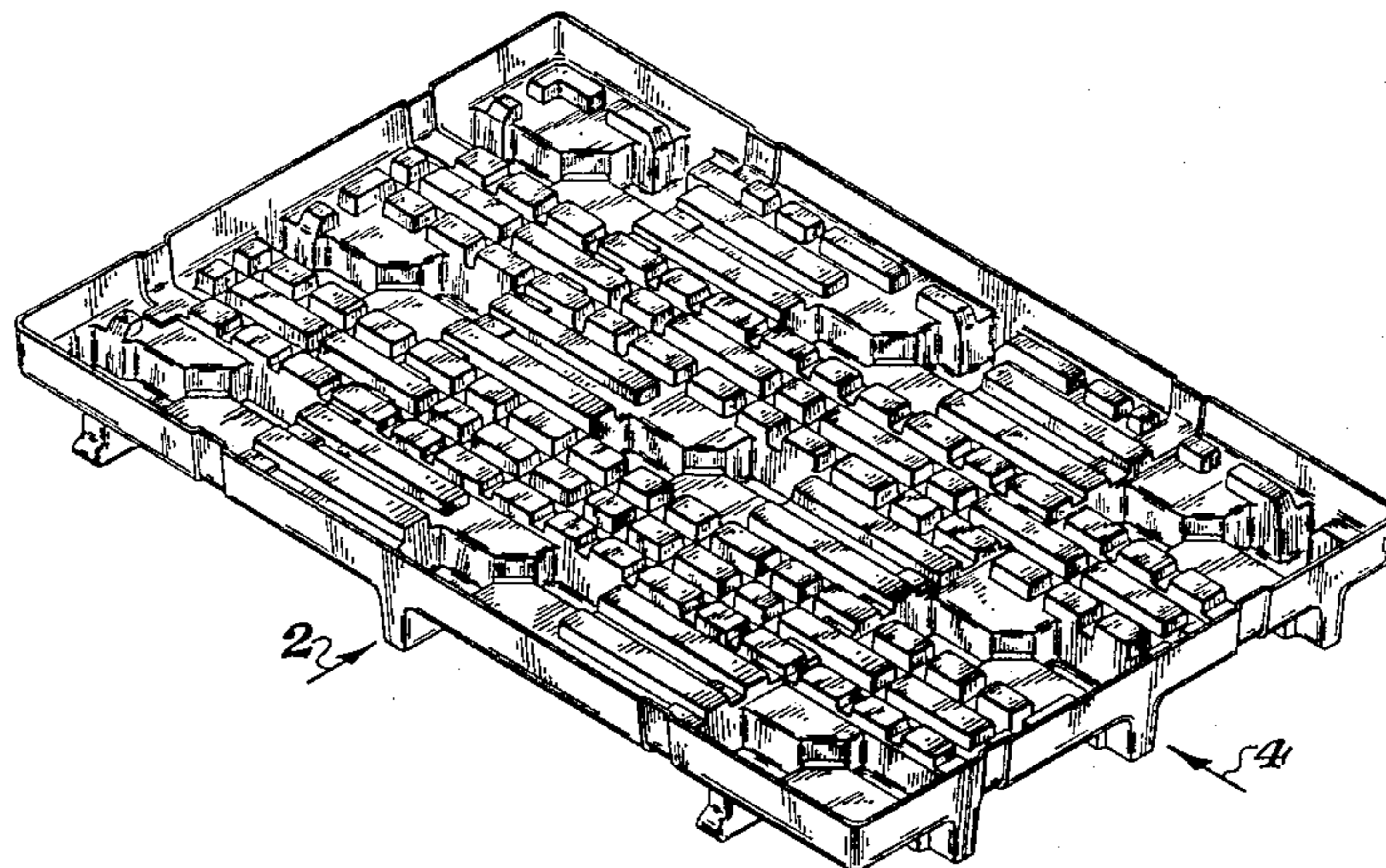
FIG. 5 is a top plan view thereof; and

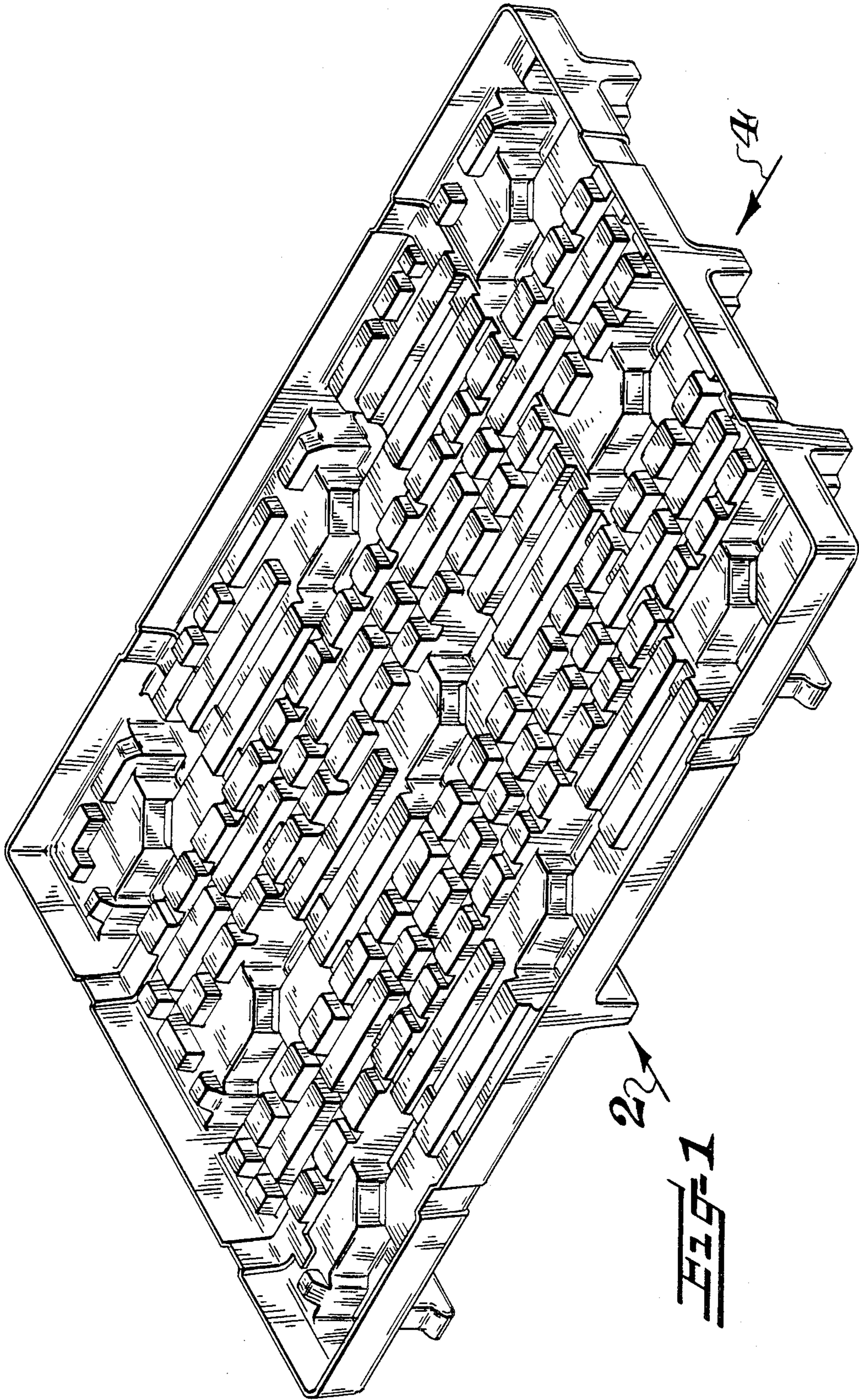
FIG. 6 is a bottom plan view thereof.

[56] References Cited

U.S. PATENT DOCUMENTS

- D. 225,397 12/1972 Lindley D34/38
- D. 271,152 10/1983 Wind D34/38





22
FIG-1

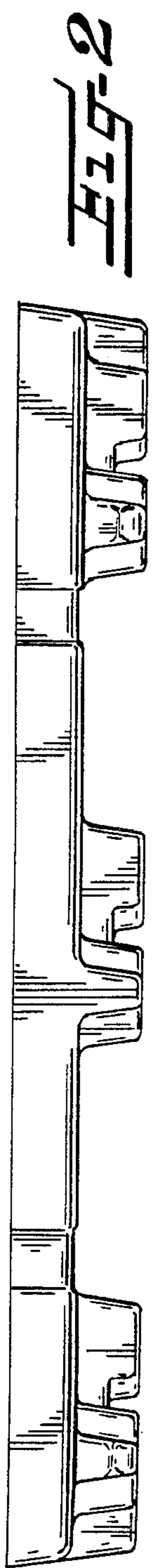
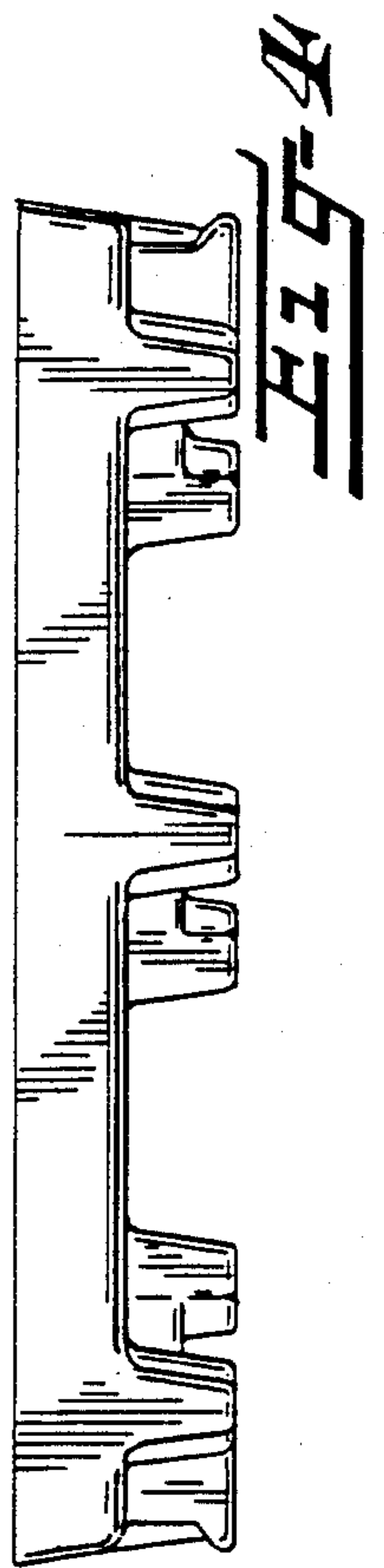
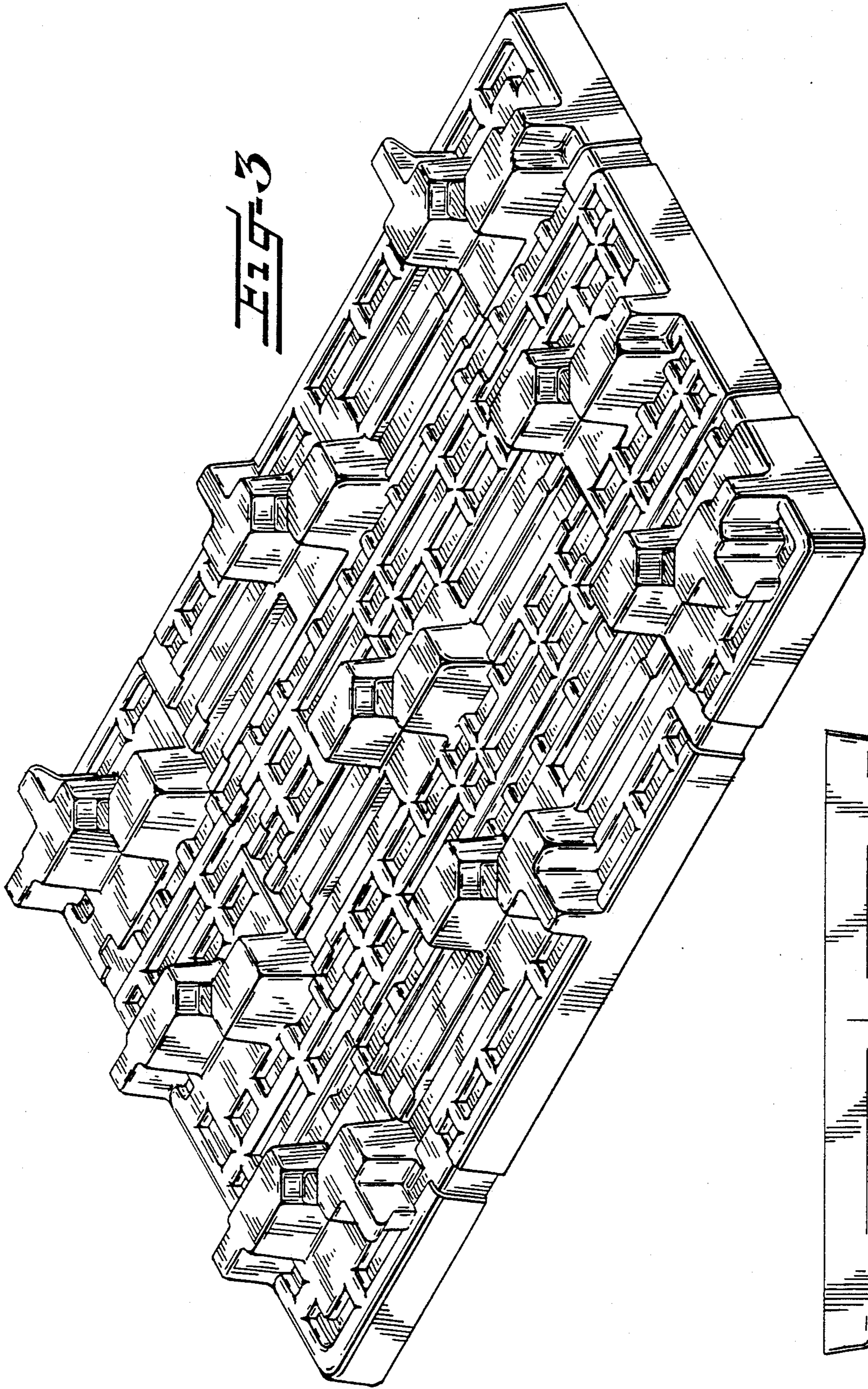


FIG-2



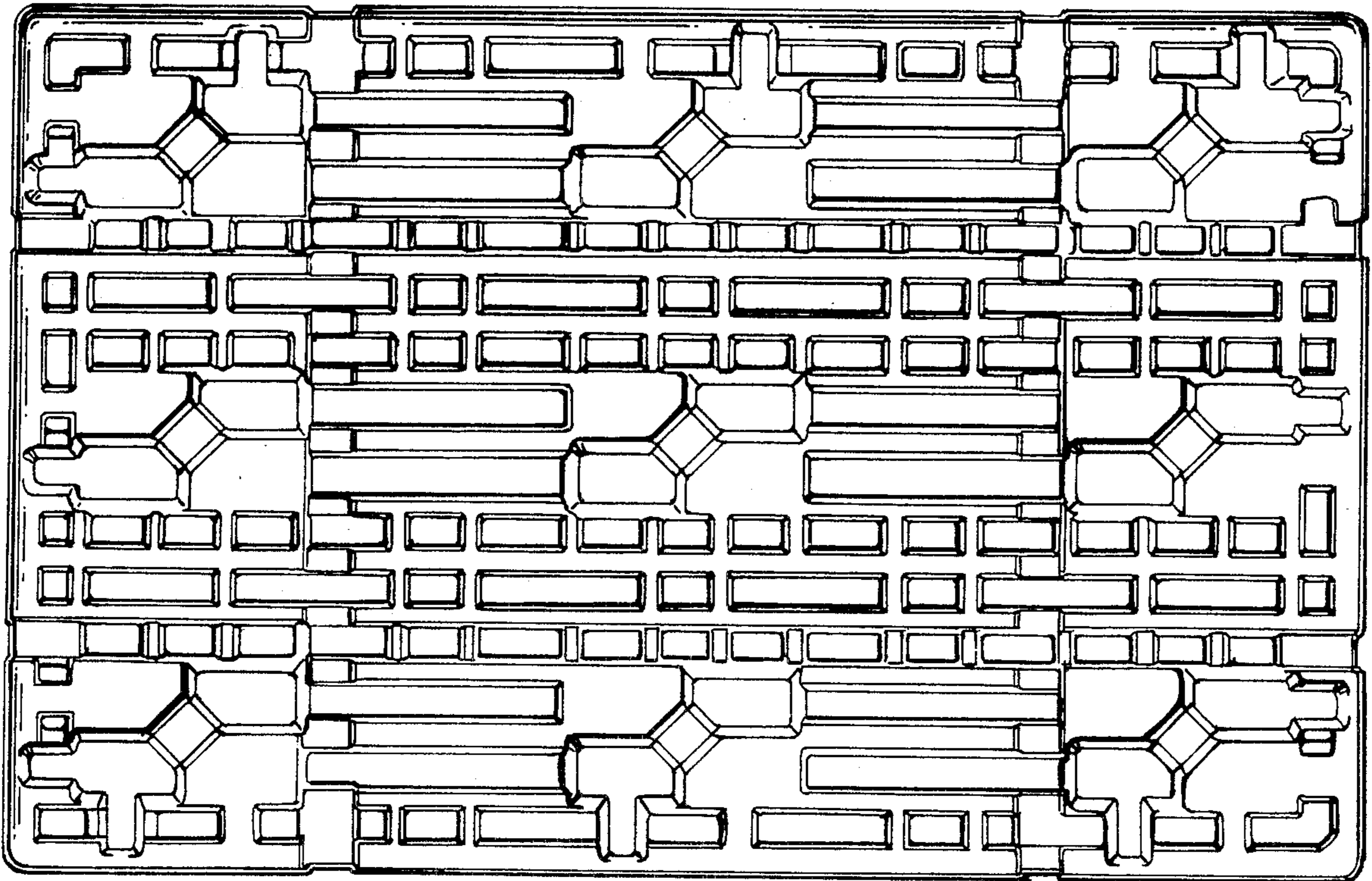


FIG-5

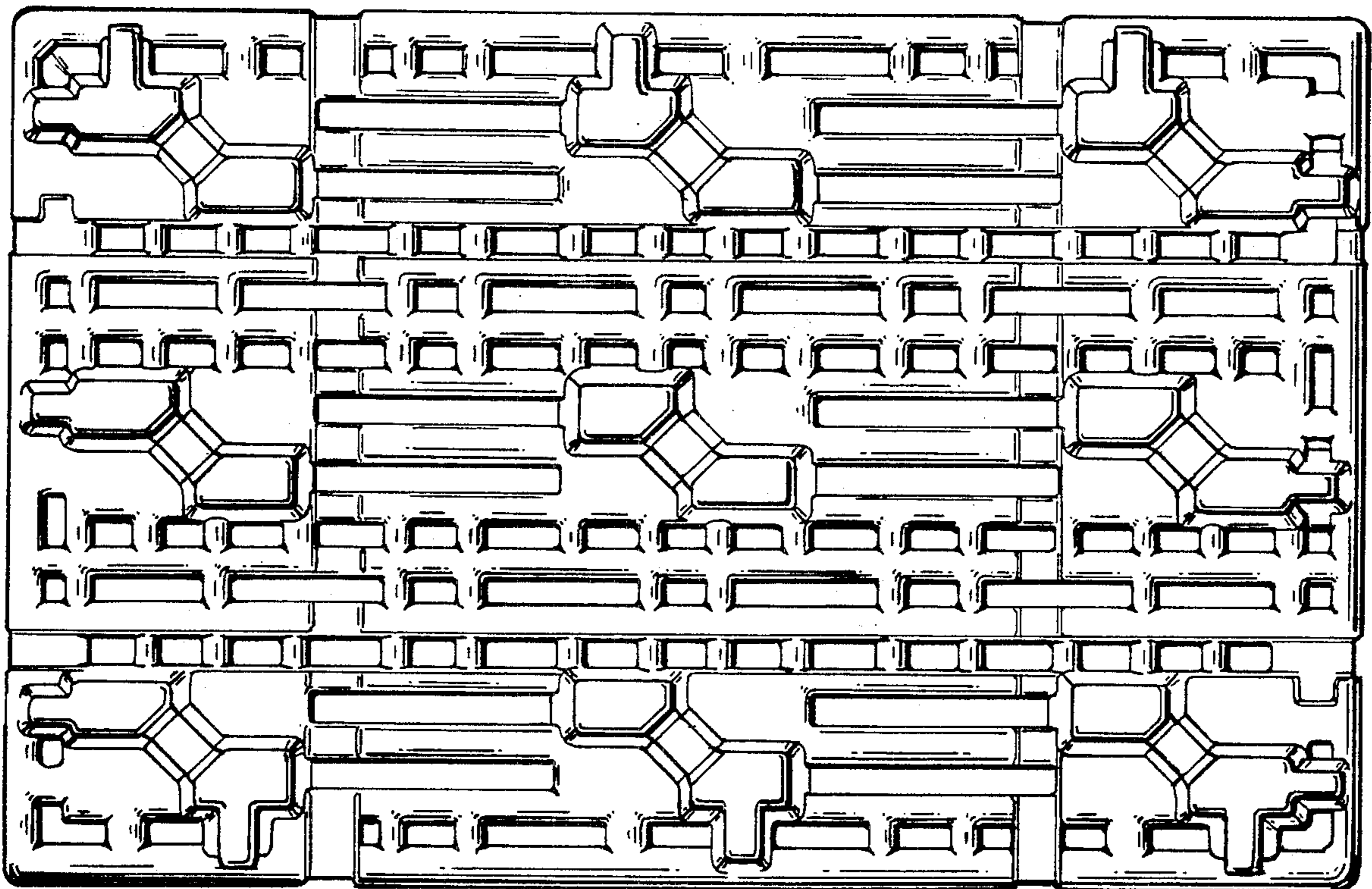


FIG-6

UNITED STATES PATENT AND TRADEMARK OFFICE
CERTIFICATE OF CORRECTION

PATENT NO. :D 288,978

Page 1 of 2

DATED : March 24, 1987

INVENTOR(S) : Joseph H. Wind

It is certified that error appears in the above-identified patent and that said Letters Patent is hereby corrected as shown below:

Sheet 3 of 3 of the Drawings consisting of Figures 5 and 6 should be deleted to appear as per attached sheet.

**Signed and Sealed this
Fourteenth Day of July, 1987**

Attest:

DONALD J. QUIGG

Attesting Officer

Commissioner of Patents and Trademarks

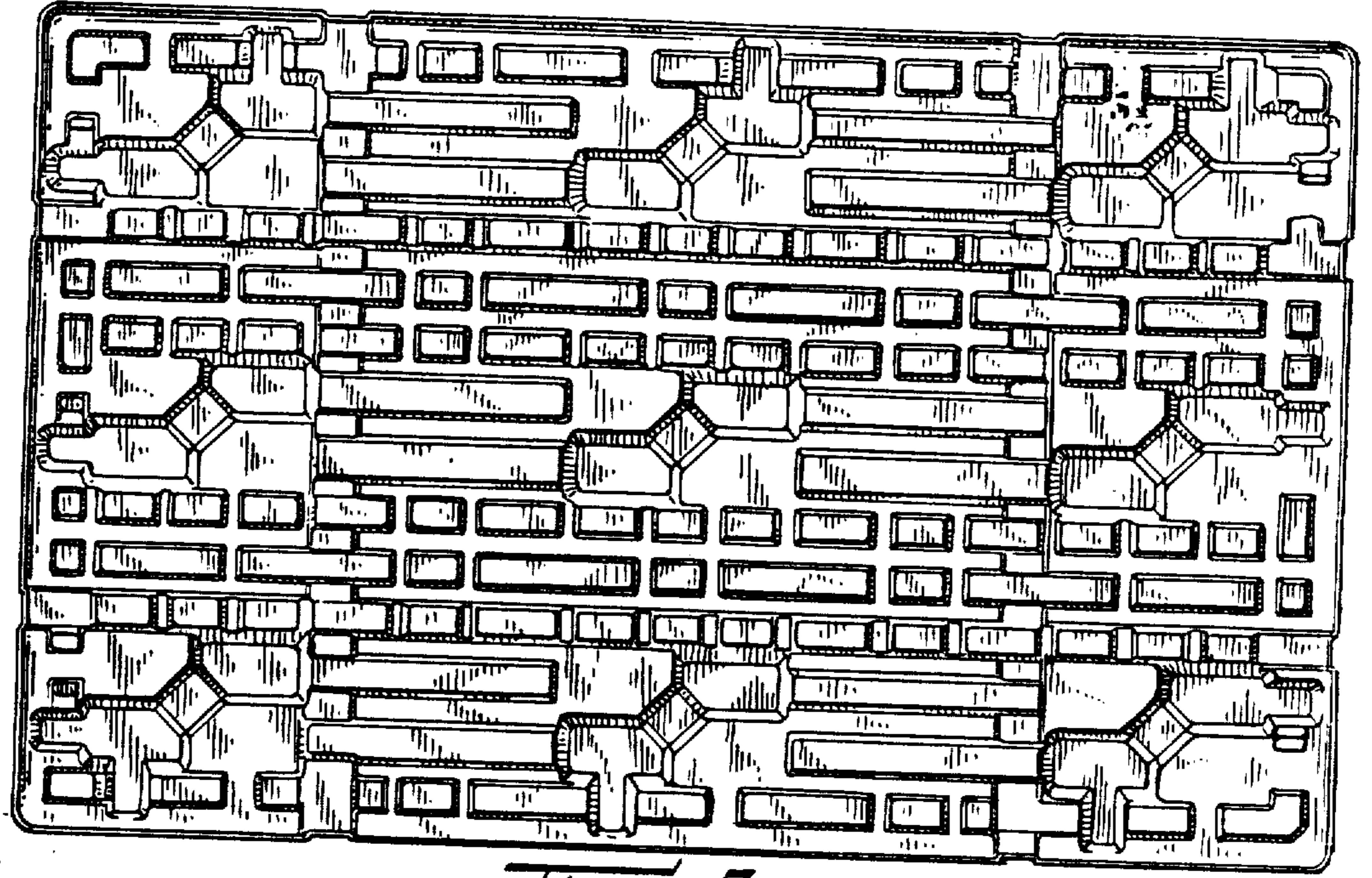


FIG-5

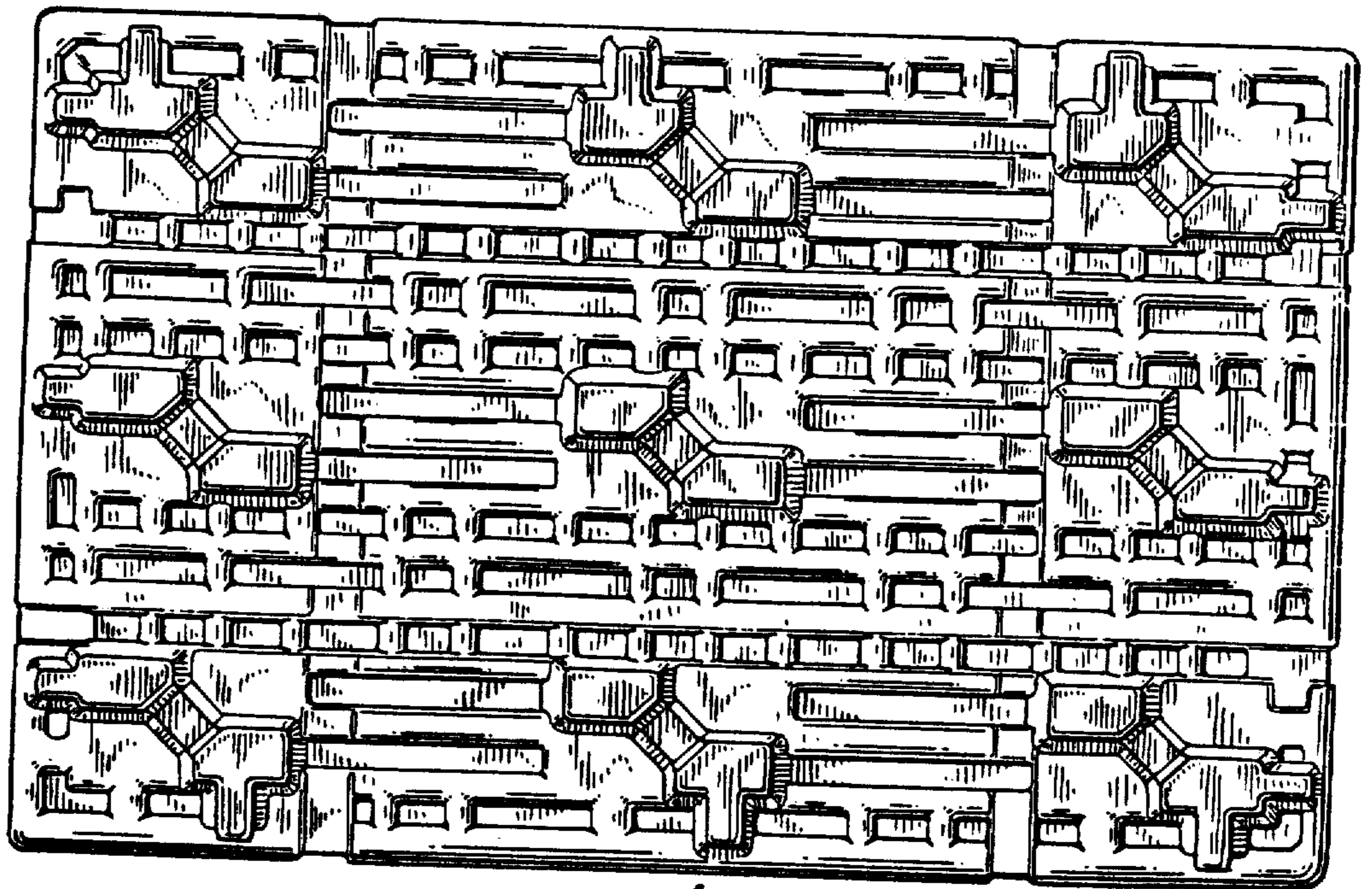


FIG-6