

[54] **RECORD CLEANER**

[75] **Inventor: Yoshinori Hamazaki, Koga, Japan**

[73] **Assignee: Kabushiki Kaisha Nagaoka, Tokyo, Japan**

[**] **Term: 14 Years**

[21] **Appl. No.: 641,765**

[22] **Filed: Aug. 17, 1984**

[30] **Foreign Application Priority Data**

May 30, 1984 [JP] Japan 59-22171

[52] **U.S. Cl. D32/35; D4/121; D4/122**

[58] **Field of Search D32/35; D4/121, 122; 15/230.11, 104; 369/72-74; 401/197, 208, 218-220; 29/110, 110.5**

[56] **References Cited**

U.S. PATENT DOCUMENTS

2,765,486 10/1956 Anderson 15/230.11
2,799,886 7/1957 Brunelli et al. 15/230.11

3,958,292 5/1976 Powell 15/230.11 X

FOREIGN PATENT DOCUMENTS

2809292 9/1979 Fed. Rep. of Germany 369/72

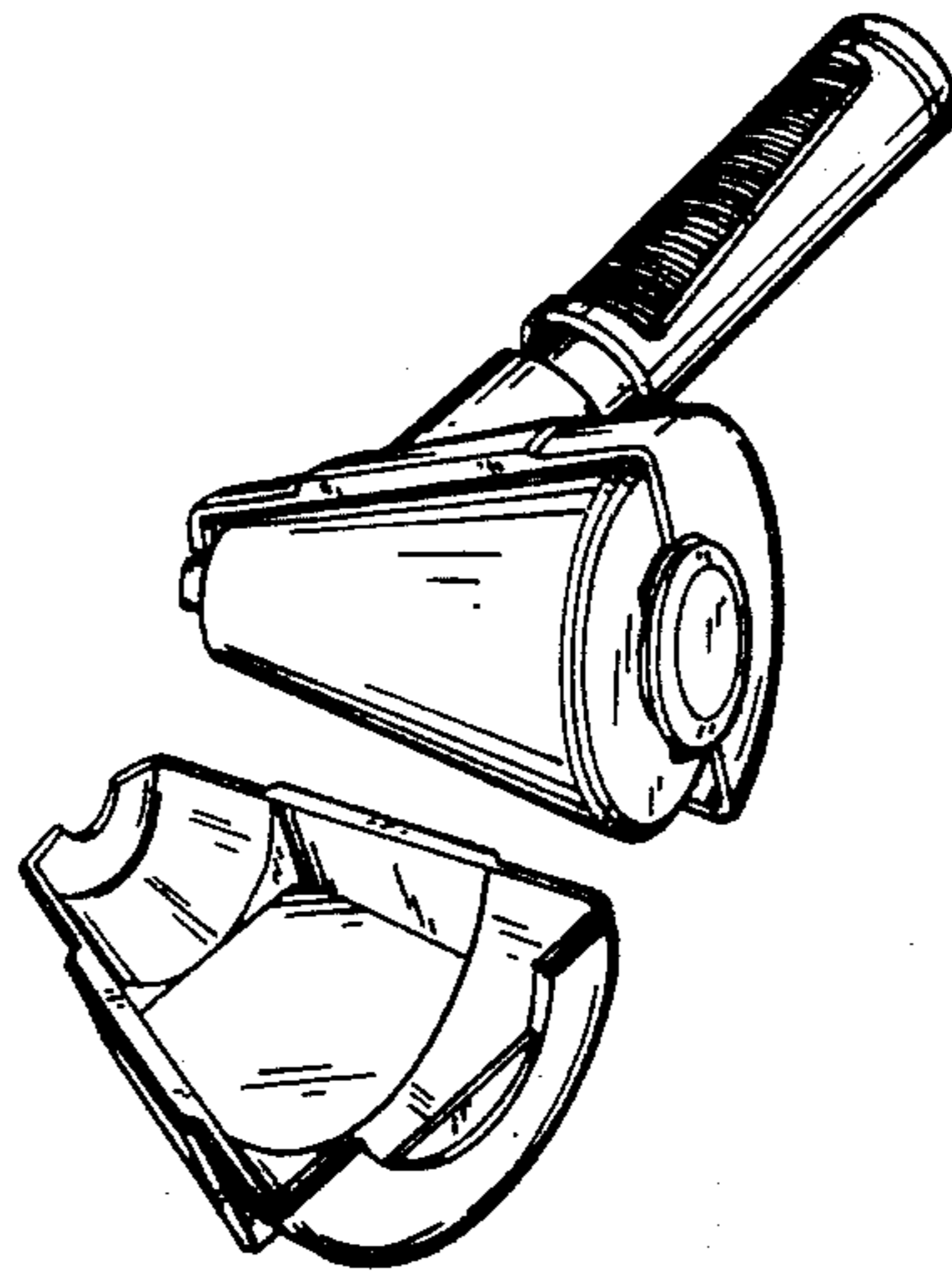
*Primary Examiner—Catherine E. Kemper
Attorney, Agent, or Firm—James E. Nilles*

[57] **CLAIM**

The ornamental design for record cleaner, as shown.

DESCRIPTION

FIG. 1 is a perspective view of a record cleaner with the cover removed and showing my new design;
FIG. 2 is another perspective view thereof with the cover in place; the view being taken from the lower front, right side thereof;
FIG. 3 is a rear view thereof shown on an enlarged scale;
FIG. 4 is a left side view thereof;
FIG. 5 is a right side view thereof;
FIG. 6 is a front view thereof;
FIG. 7 is a top view thereof; and
FIG. 8 is a bottom view thereof.



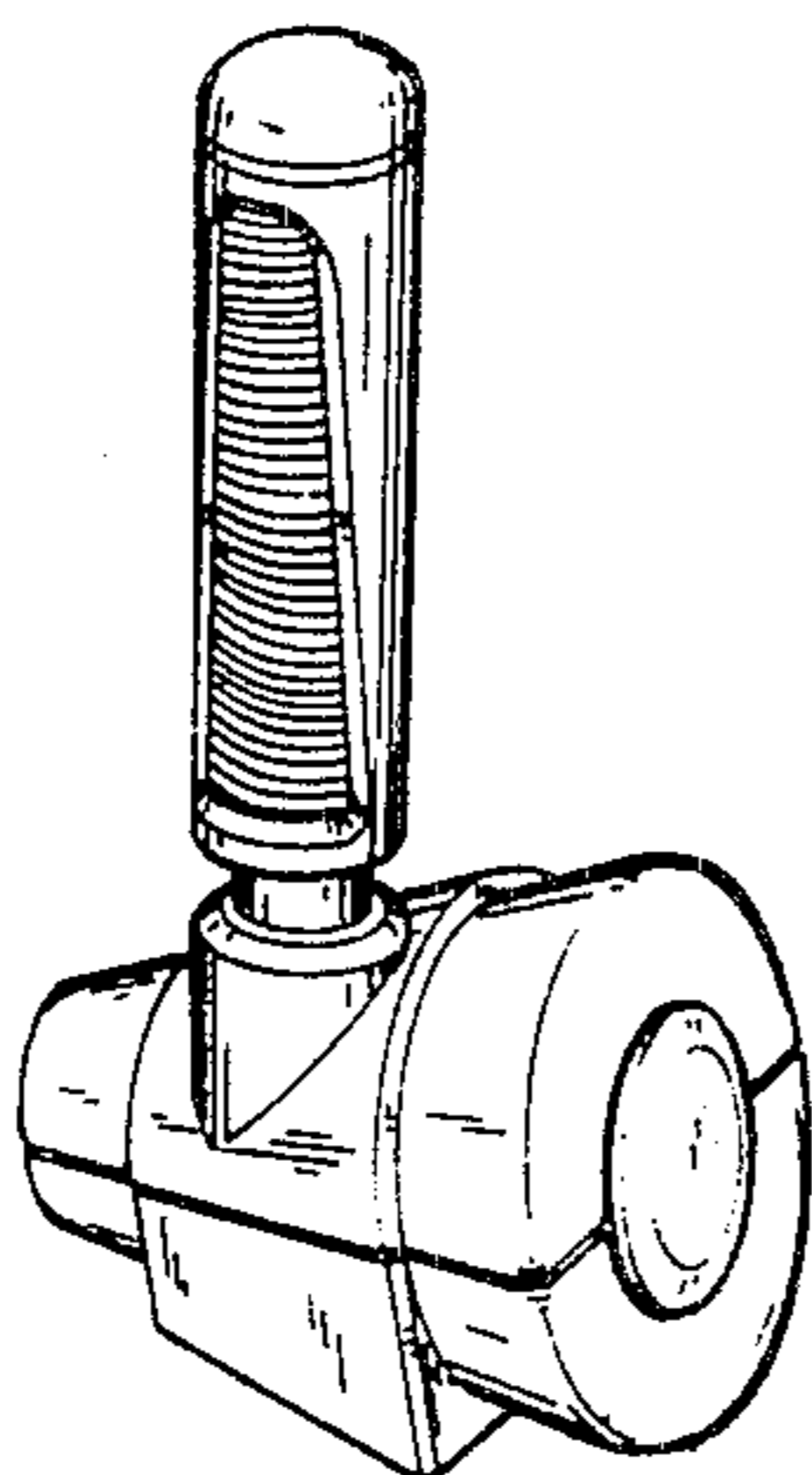


FIG. 2

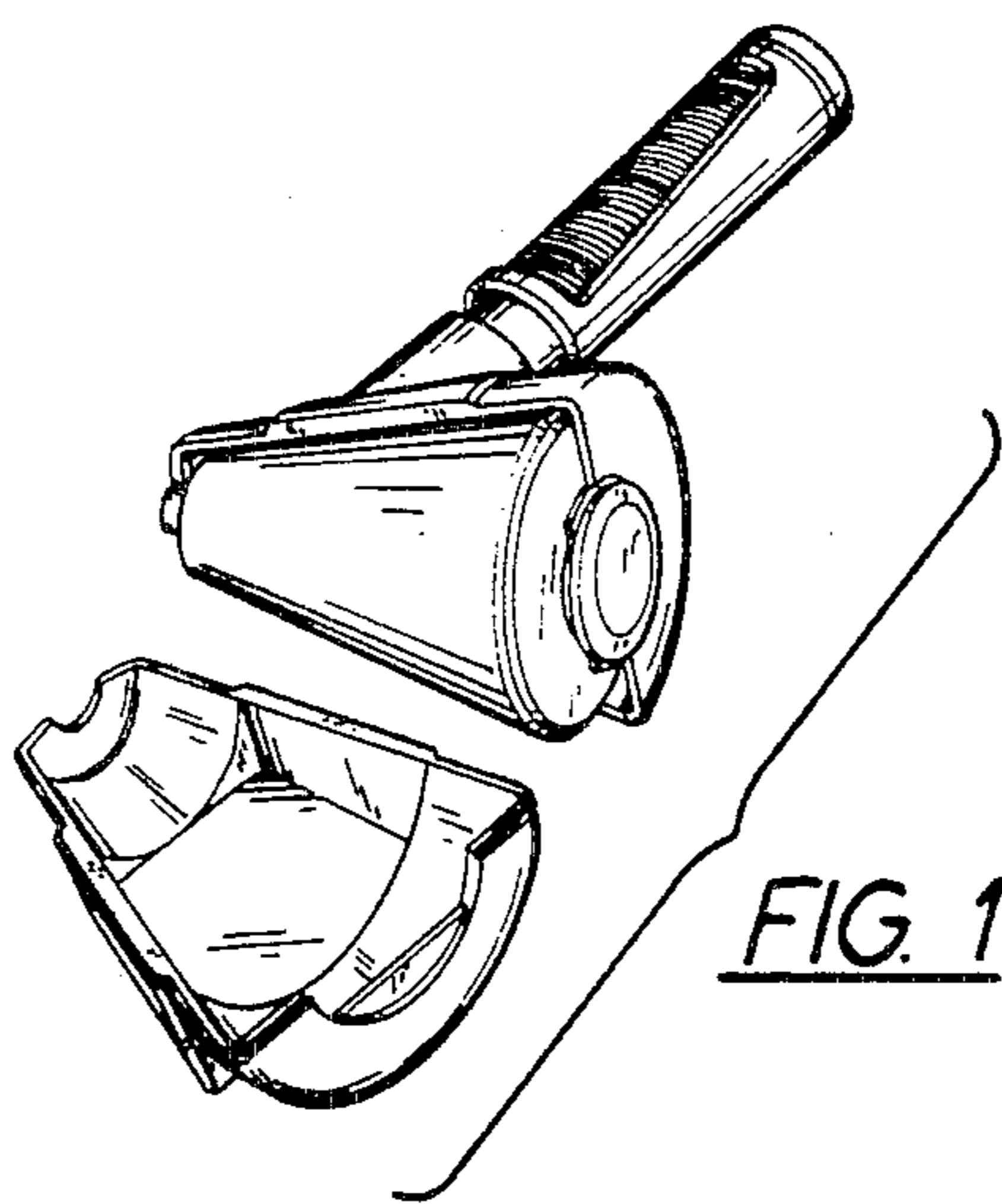


FIG. 1

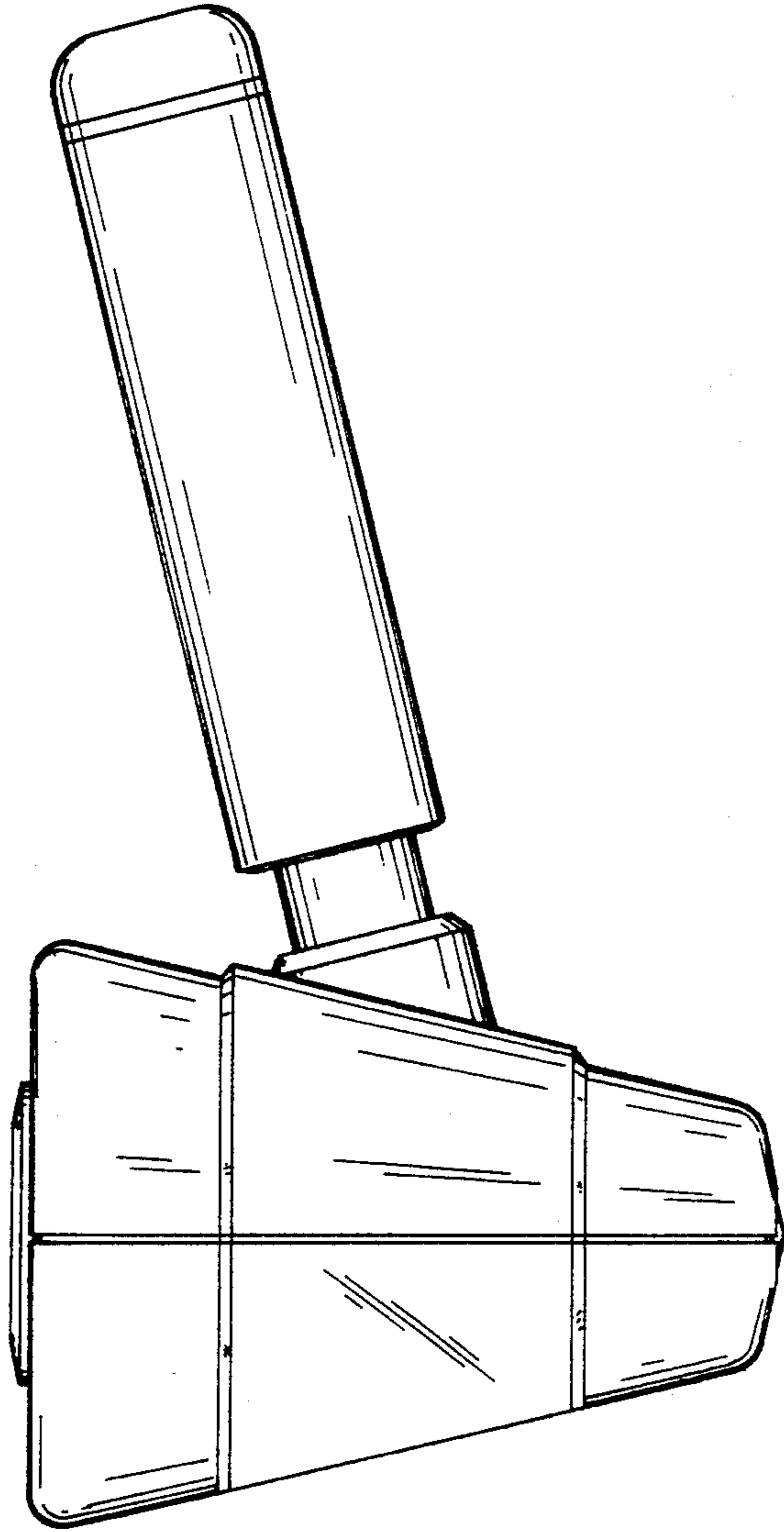


FIG. 3

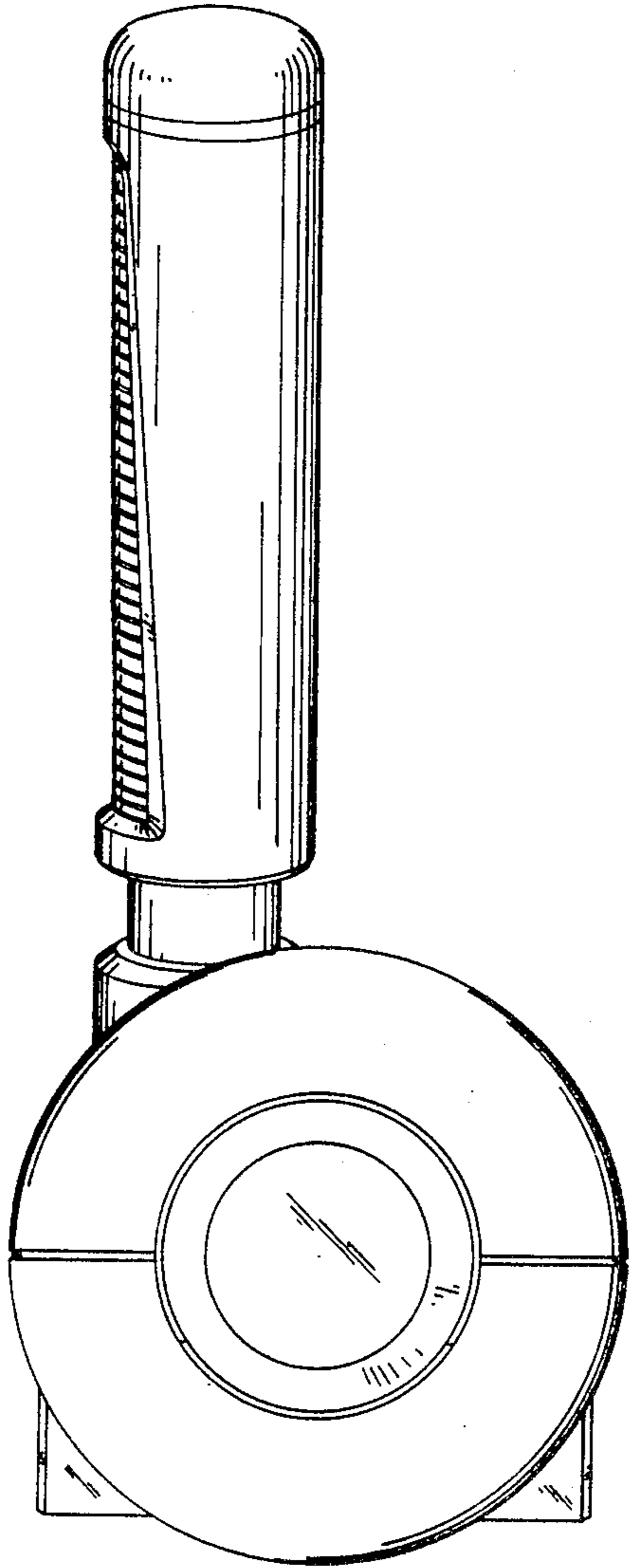


FIG. 5

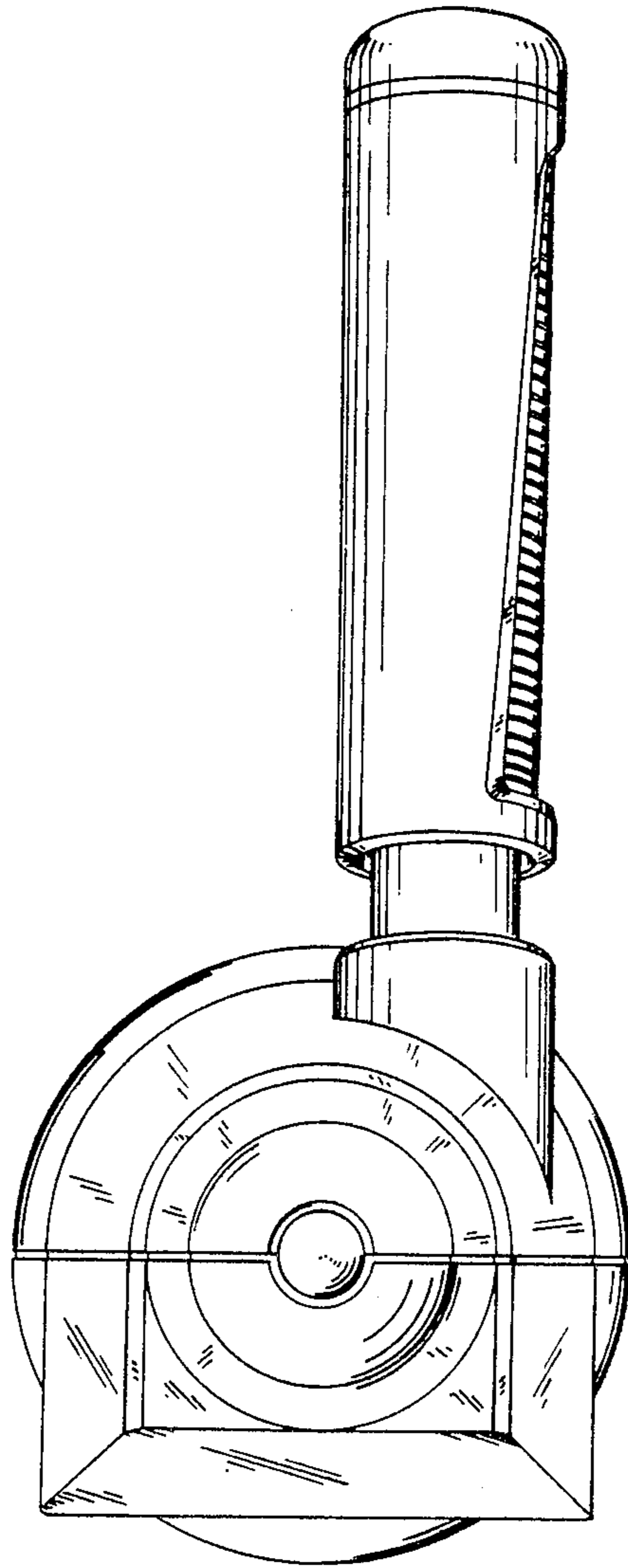


FIG. 4

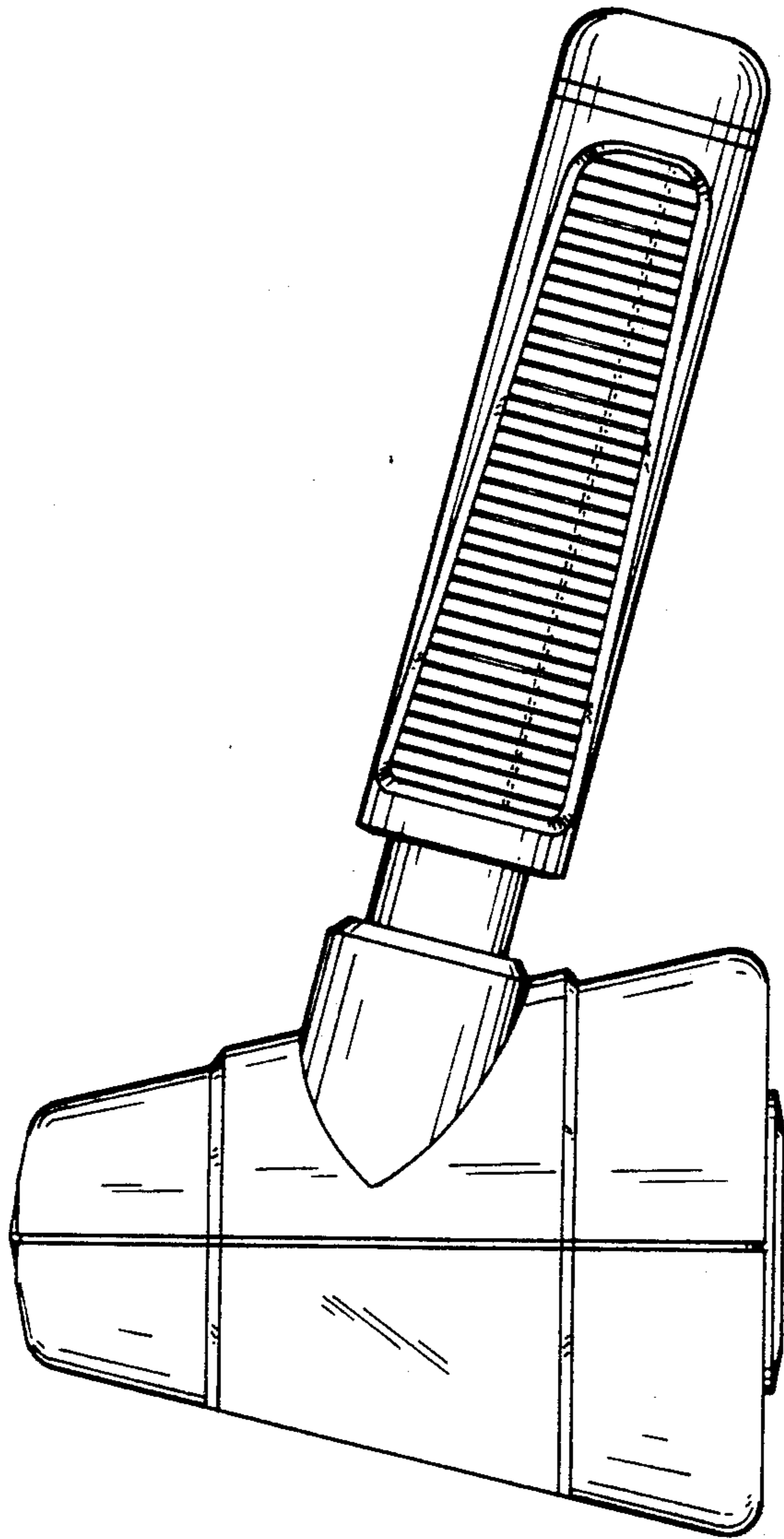


FIG. 6

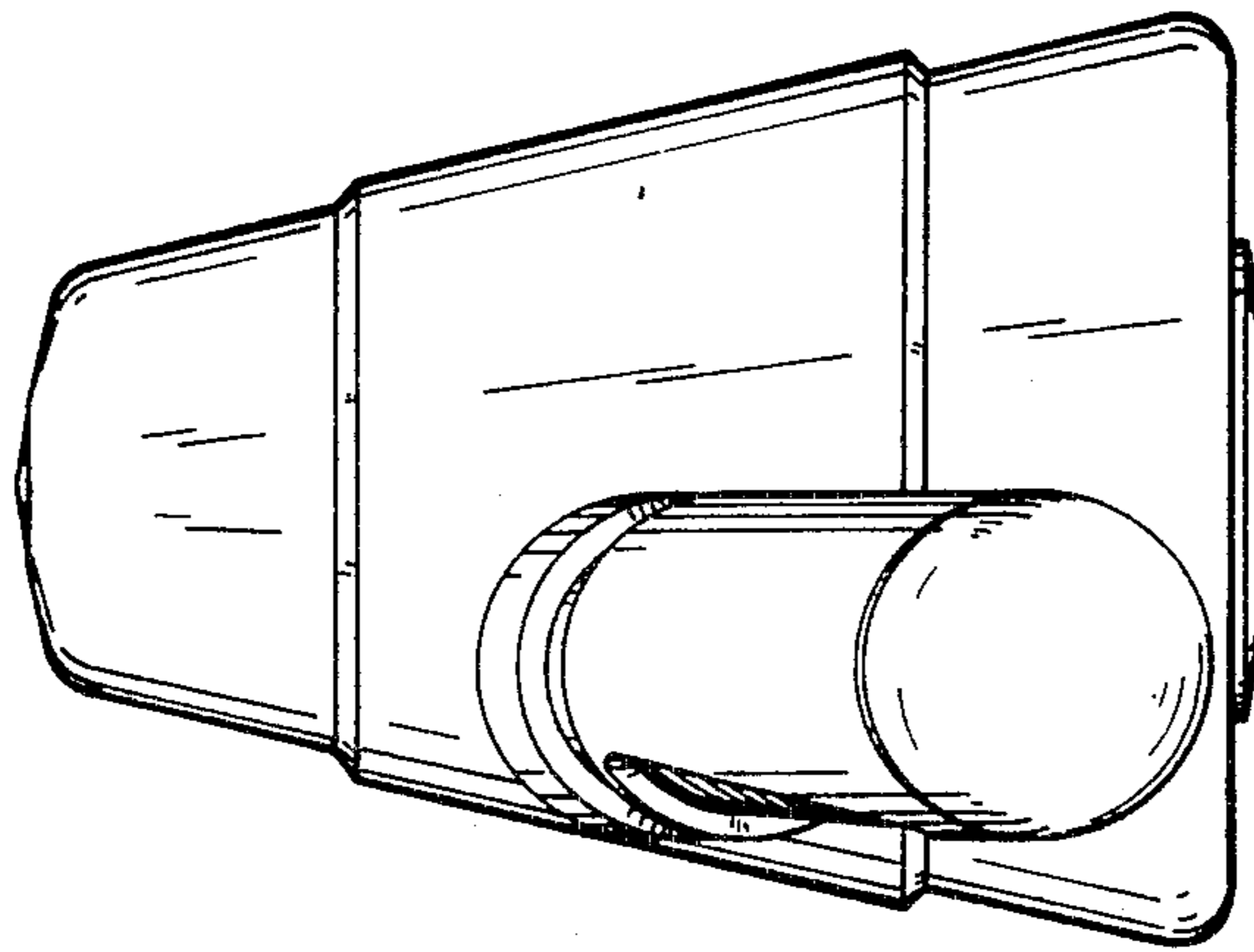


FIG. 7

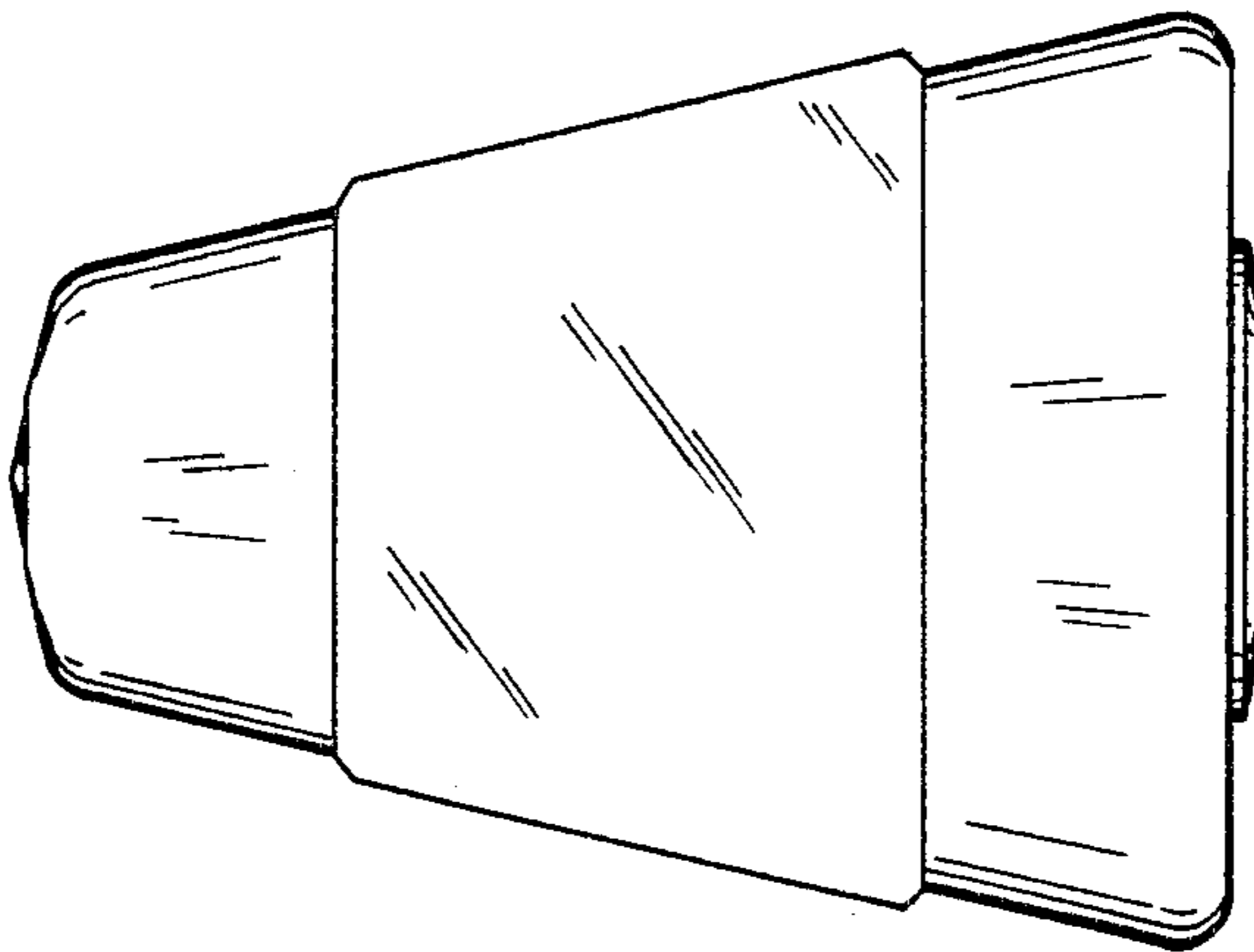


FIG. 8