

[54] ELECTRIC VACUUM CLEANER

[75] Inventors: Kyouichi Morioka, Yokohama; Tsuneo Takahashi, Kawagoe; Takaharu Andoh; Keiichi Washizuka, both of Yokohama, all of Japan

[73] Assignees: Kabushiki Kaisha Toshiba, Kawasaki; Tokyo Electric Co., Ltd., Tokyo, both of Japan

[\*\*] Term: 14 Years

[21] Appl. No.: 621,567

[22] Filed: Jun. 18, 1984

[30] Foreign Application Priority Data

Dec. 19, 1983 [JP] Japan ..... 58-54364

[52] U.S. Cl. .... D32/24

[58] Field of Search ..... D32/21, 23, 25, 31-32, D32/34; 15/143 A, 146, 321, 323, 327 R, 327 E, 327 F, 347

[56] References Cited

U.S. PATENT DOCUMENTS

- D. 175,345 8/1955 Guild et al. .... D32/24
D. 201,668 7/1965 Hubertus ..... D32/24
D. 247,117 1/1978 Yoshida et al. .... D32/21
D. 276,944 12/1984 Parker et al. .... D32/24
3,022,101 2/1962 Descarries ..... 15/327 F
3,653,189 4/1972 Miyake et al. .... 15/323
4,426,211 1/1984 Ataka et al. .... 15/352

OTHER PUBLICATIONS

Merchandising, vol. 6, Nov. 1981, p. 93, Hoover Portapower.

Washington Post, Woodward and Lothrop Ad, 2-3-83, Eureka Mighty Mite Vacuum Cleaner.

Japanese Official Gazette issued 9/2/72, Reg. No. 350,685, on 5/22/72, "Electric Vacuum Cleaner".

Japanese Official Gazette issued 6/4/75, Reg. No. 398,726, on 2/18/75, "Electric Vacuum Cleaner".

Japanese Official Gazette issued 10/8/77, Reg. No. 458,199, on 5/27/77, "Electric Vacuum Cleaner".

Japanese Official Gazette issued 5/29/79, Reg. No. 502,986, on 2/27/79, "Electric Vacuum Cleaner".

Japanese Official Gazette issued 10/26/79, Reg. No. 514,928, on 7/26/79, "Electric Vacuum Cleaner".

Japanese Official Gazette issued 10/30/82, Reg. No. 586,674, on 7/30/82, "Electric Vacuum Cleaner".

U.S. Pat. No. 199,522 issued on 11/10/64.

U.S. Pat. No. 208,627 issued on 9/19/67.

U.S. Pat. No. 214,339 issued on 6/3/69.

Primary Examiner—James M. Gandy

Assistant Examiner—Ruth E. Takemoto

Attorney, Agent, or Firm—Finnegan, Henderson, Farabow, Garrett & Dunner

[57] CLAIM

The ornamental design for an electric vacuum cleaner, substantially as shown.

DESCRIPTION

FIG. 1 is a front, top and right side perspective view of an electric vacuum cleaner showing our new design; FIG. 2 is a front elevational view thereof; FIG. 3 is a rear elevational view thereof; FIG. 4 is a right side elevational view thereof, the left side being a mirror image of the right; FIG. 5 is a top plan view thereof; and FIG. 6 is a bottom plan view thereof.

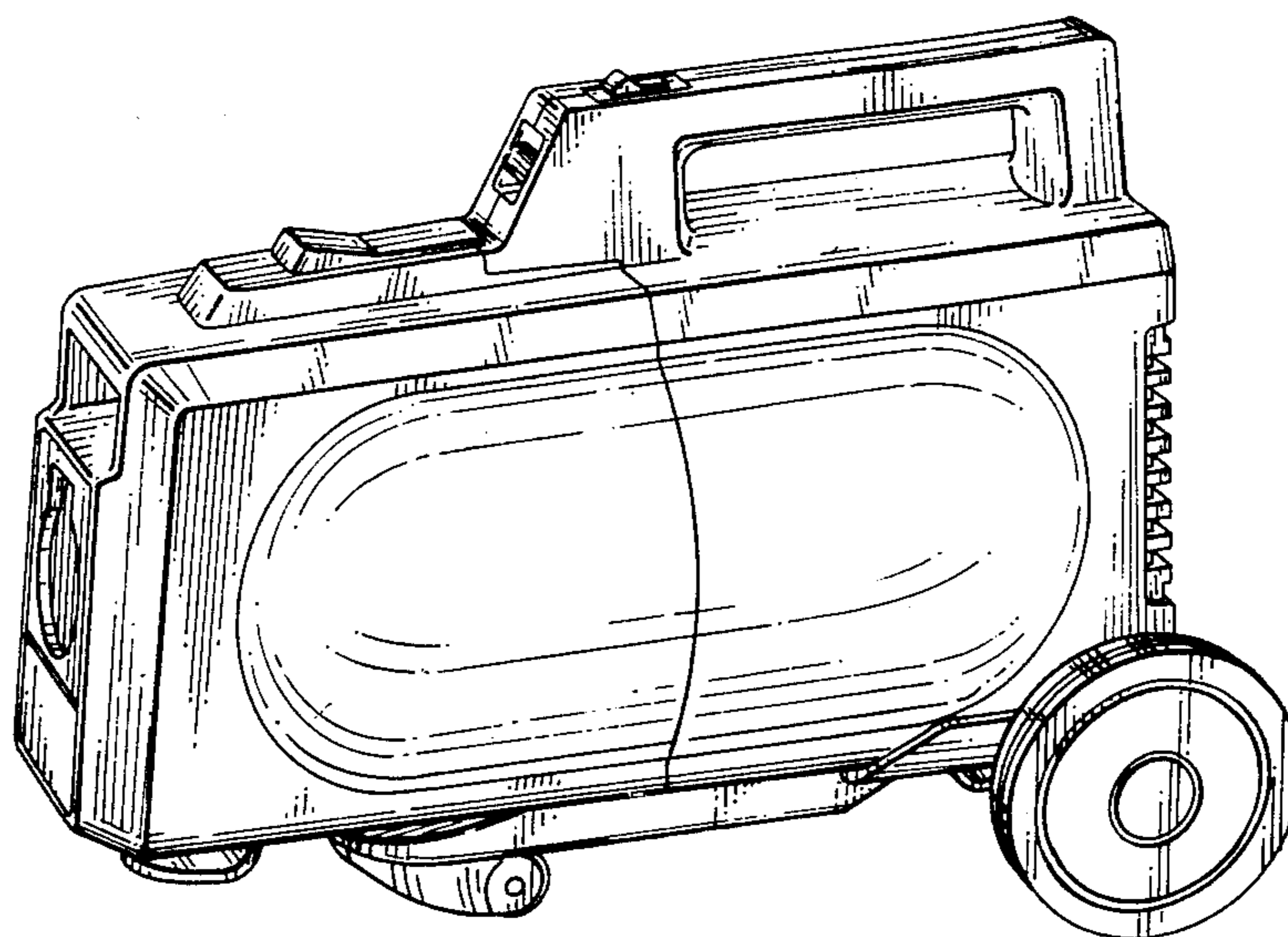


FIG. 1

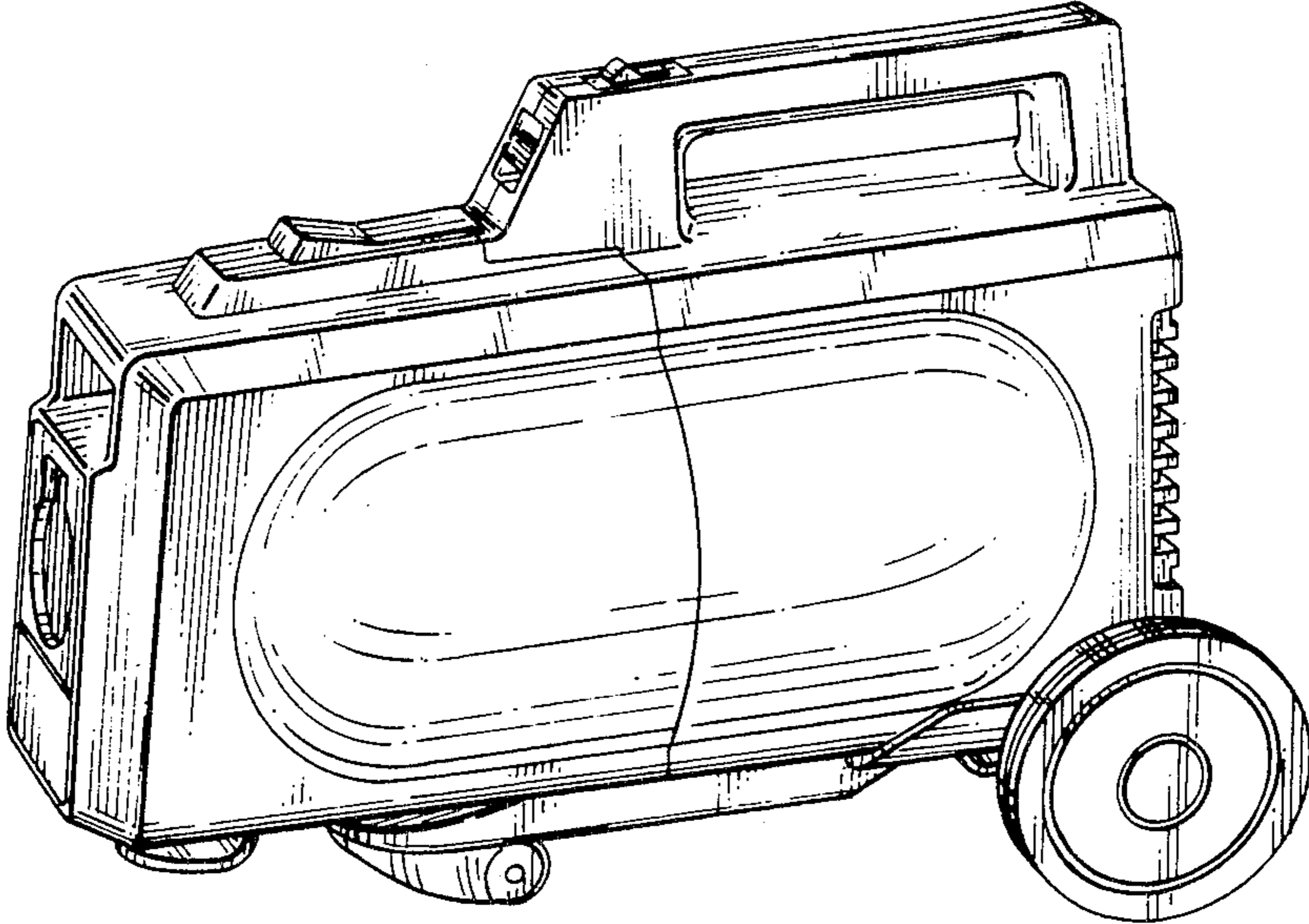


FIG. 2

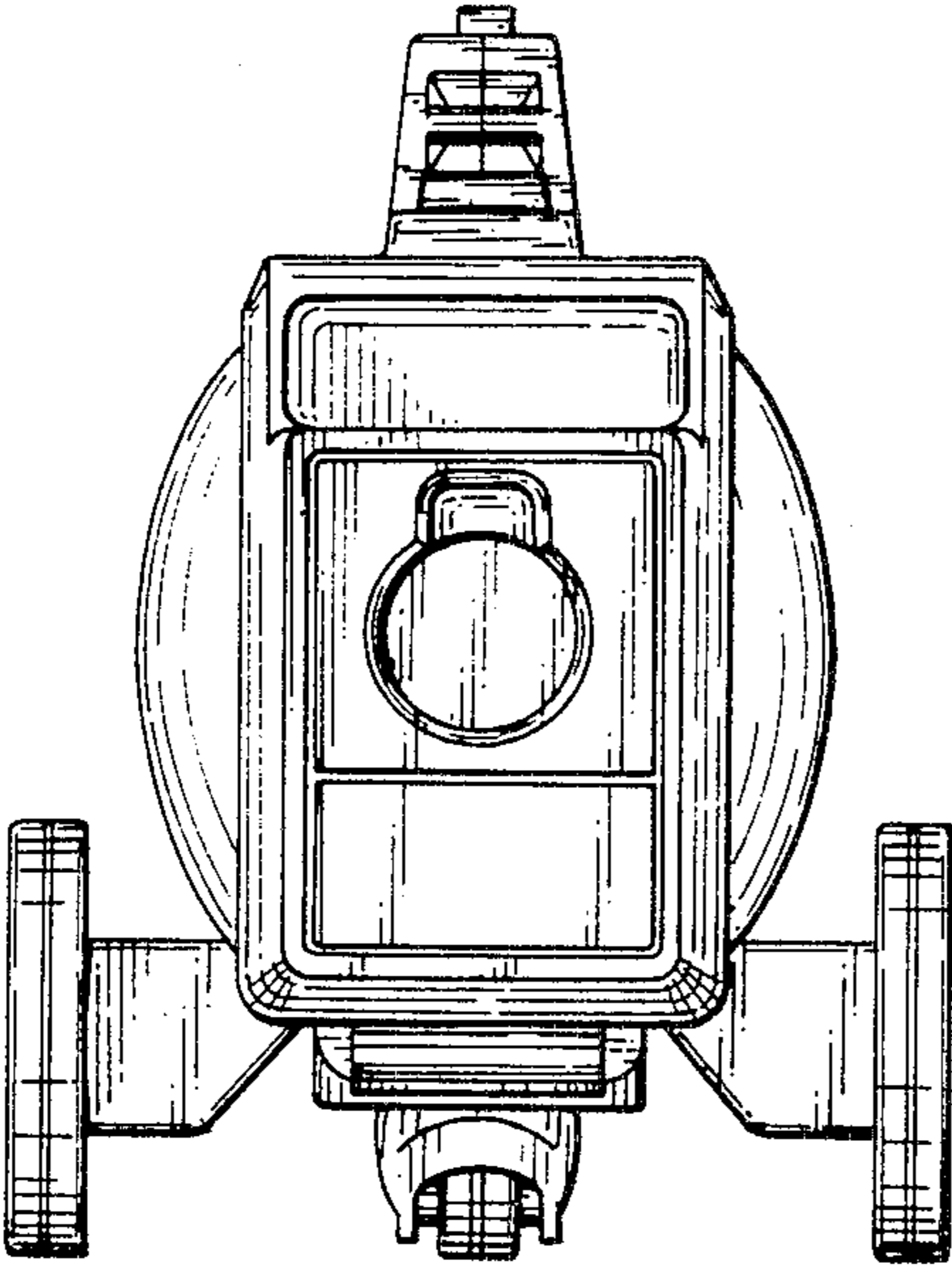
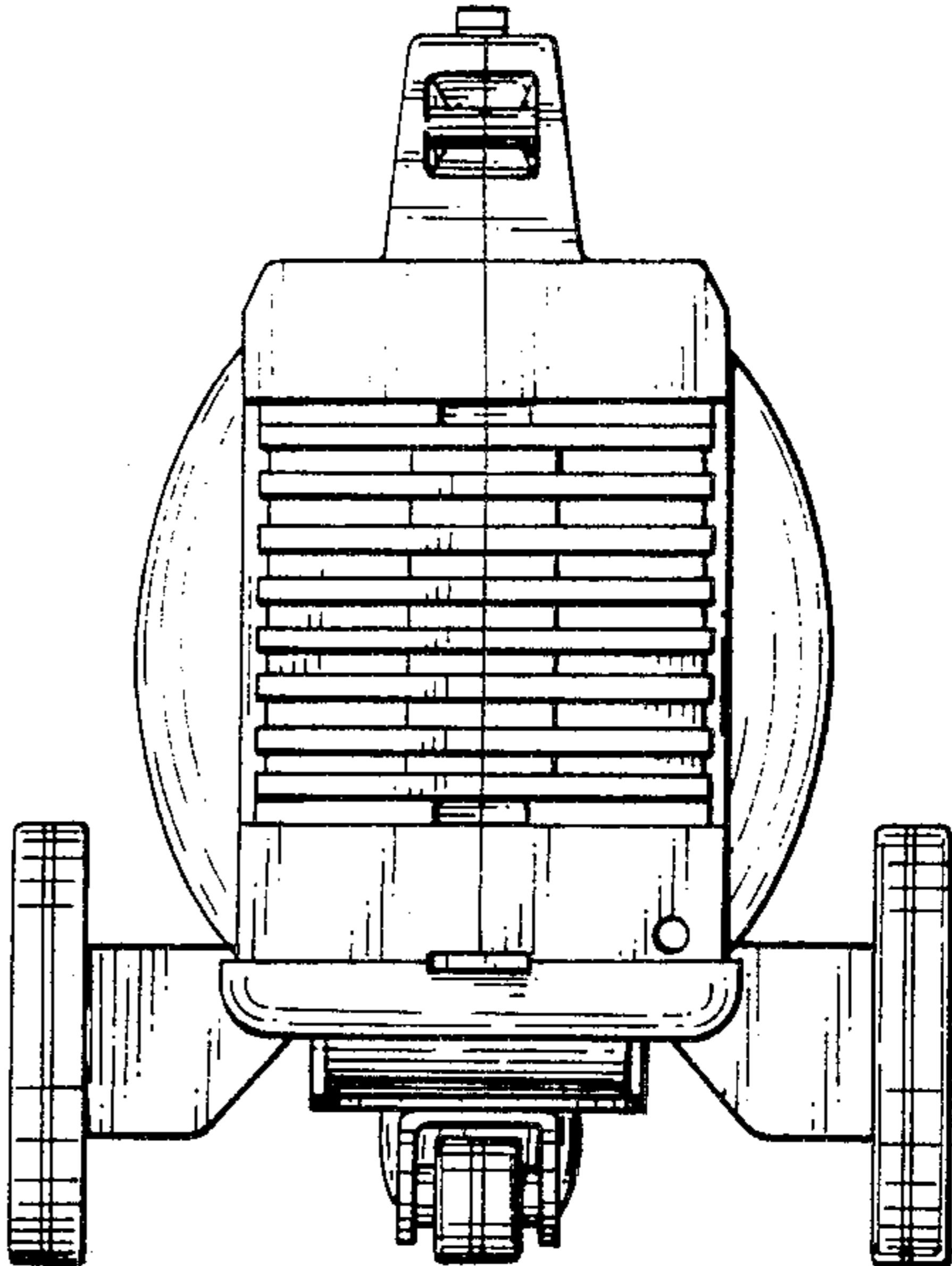


FIG. 3



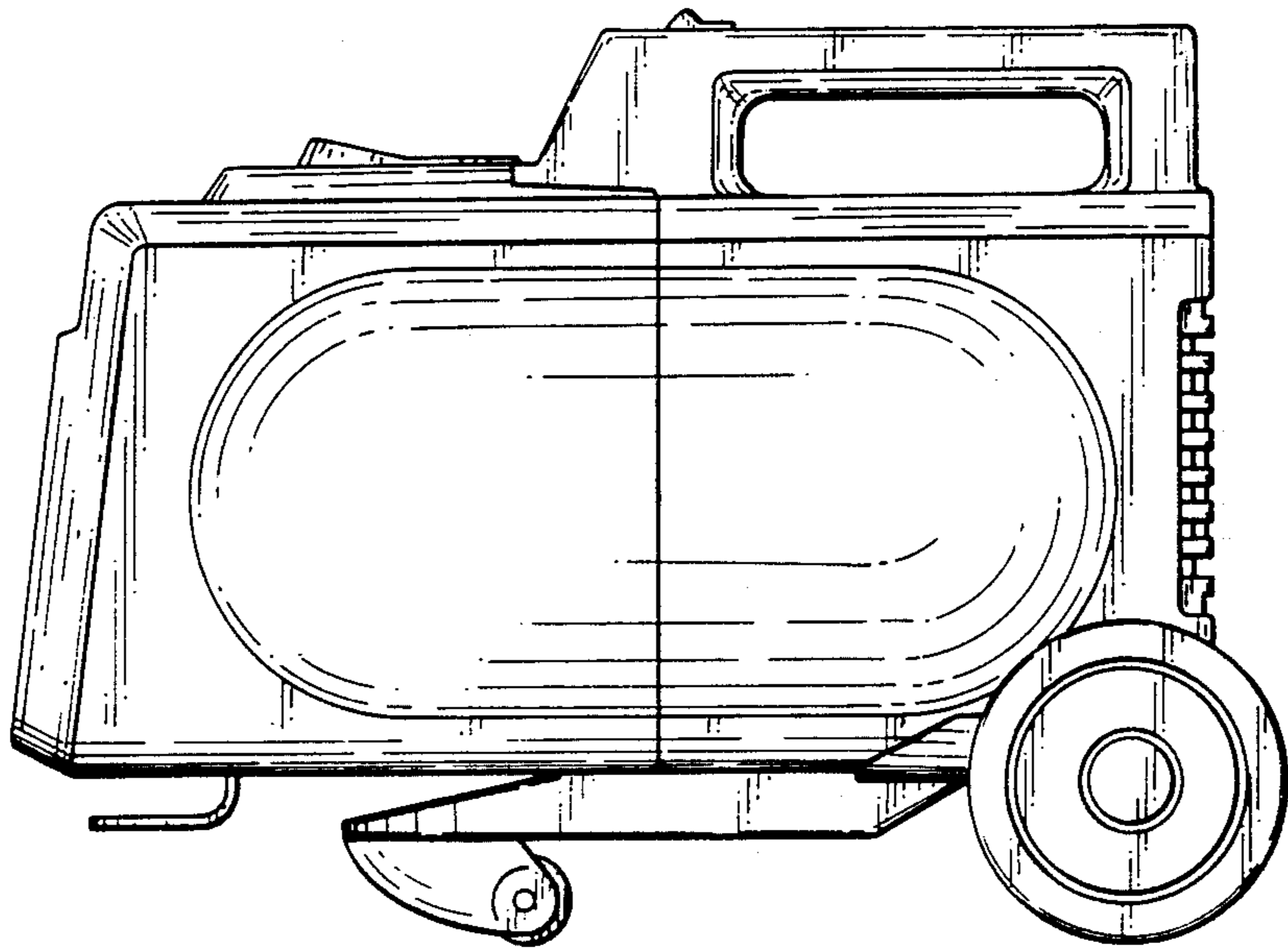


FIG. 5

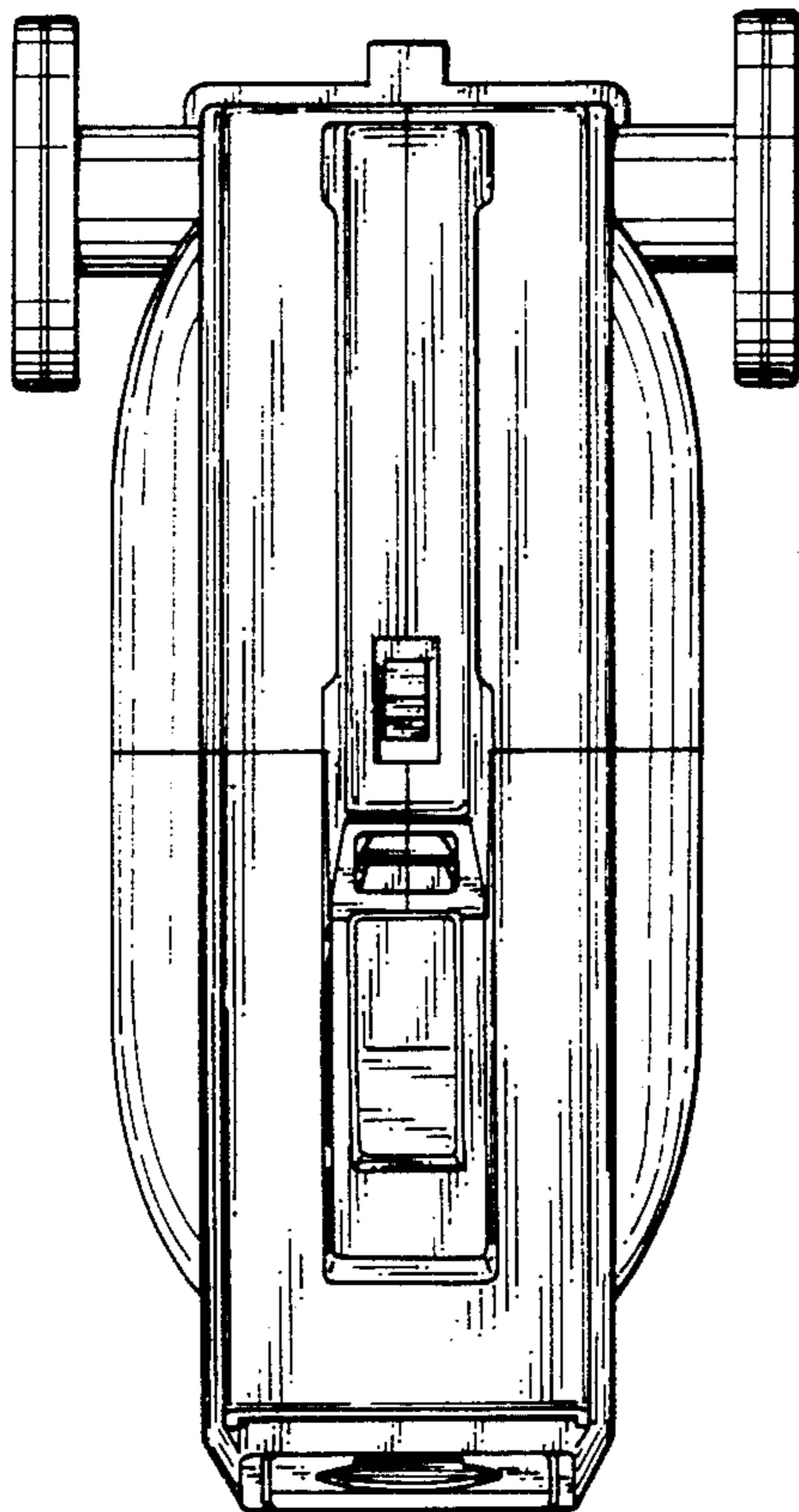


FIG. 6

