

United States Patent [19]

Palmer

[11] Patent Number: **Des. 288,969**

[45] Date of Patent: **** Mar. 24, 1987**

[54] **BICYCLE LIGHT ASSEMBLY**

[76] Inventor: **Ronald J. Palmer, 58 Van Buren Ave., Metuchen, N.J. 08840**

[**] Term: **14 Years**

[21] Appl. No.: **644,232**

[22] Filed: **Aug. 27, 1984**

[52] U.S. Cl. **D26/35**

[58] Field of Search **D26/28-36; 362/61, 80, 81, 82, 83, 72; 340/84, 87, 97, 134**

[56] **References Cited**

U.S. PATENT DOCUMENTS

D. 64,895 6/1924 Gover D26/33
D. 81,659 7/1930 Michaud D26/31

D. 90,779 9/1933 Metzger D26/31
D. 102,947 1/1937 Guardino D26/33 X

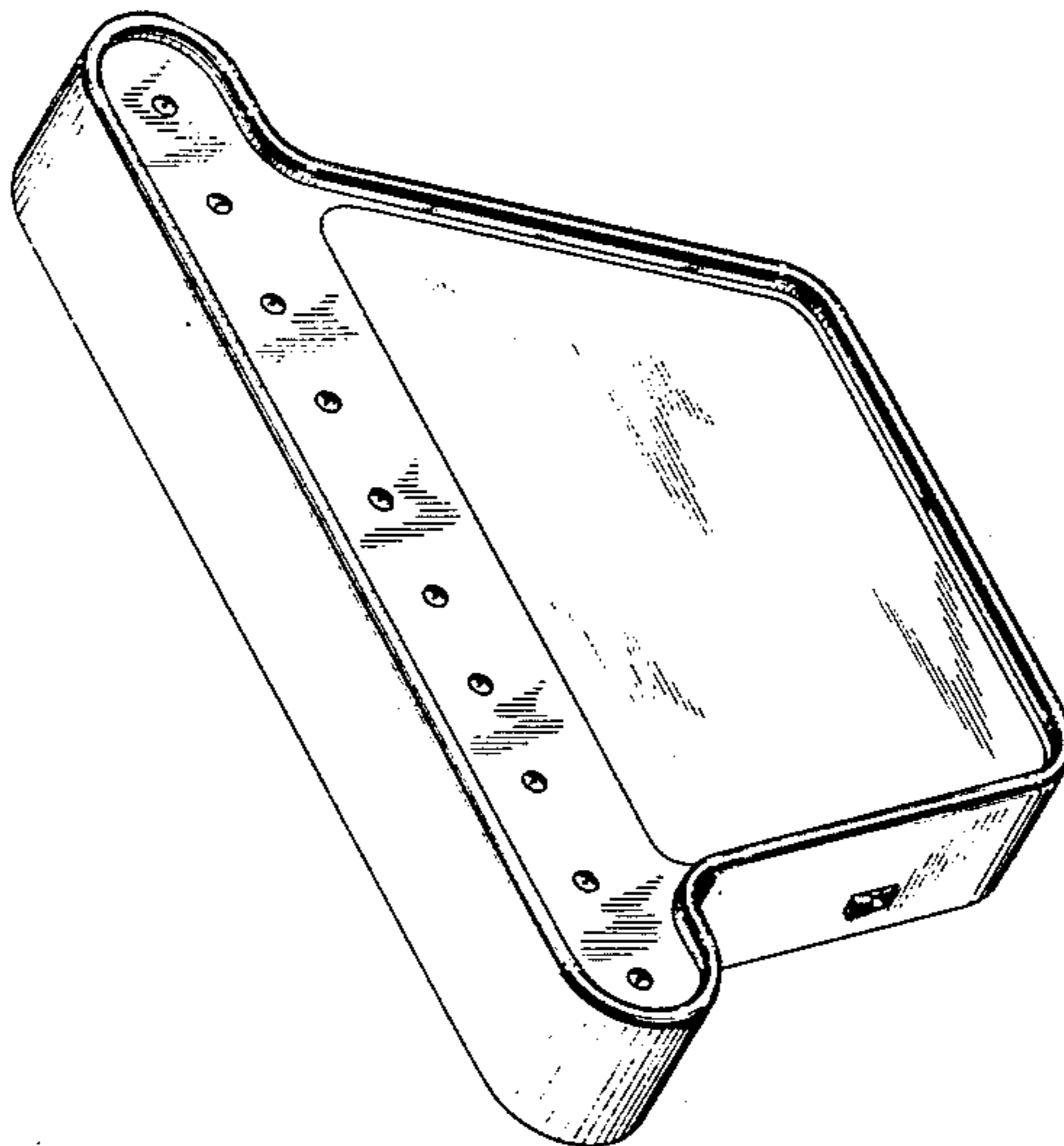
Primary Examiner—Susan J. Lucas
Attorney, Agent, or Firm—Edward M. Blocker

[57] **CLAIM**

The ornamental design for a bicycle light assembly as shown and described.

DESCRIPTION

FIG. 1 is a front perspective view of a bicycle light assembly showing my new design;
FIG. 2 is a top plan view thereof;
FIG. 3 is a side elevational view thereof;
FIG. 4 is a rear elevational view thereof;
FIG. 5 is a bottom plan view thereof; and
FIG. 6 is a rear perspective view thereof.



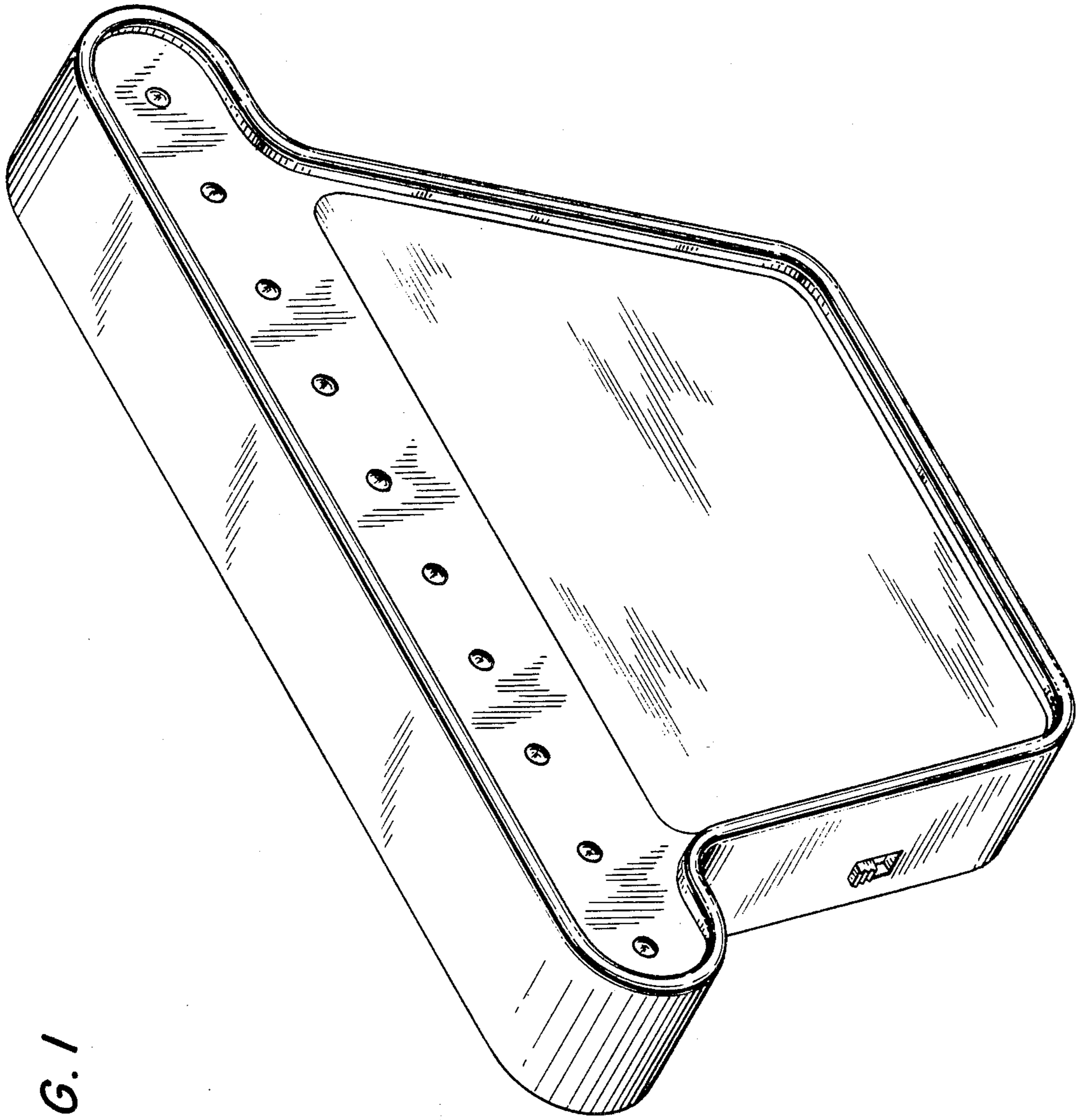


FIG. 1

FIG. 2

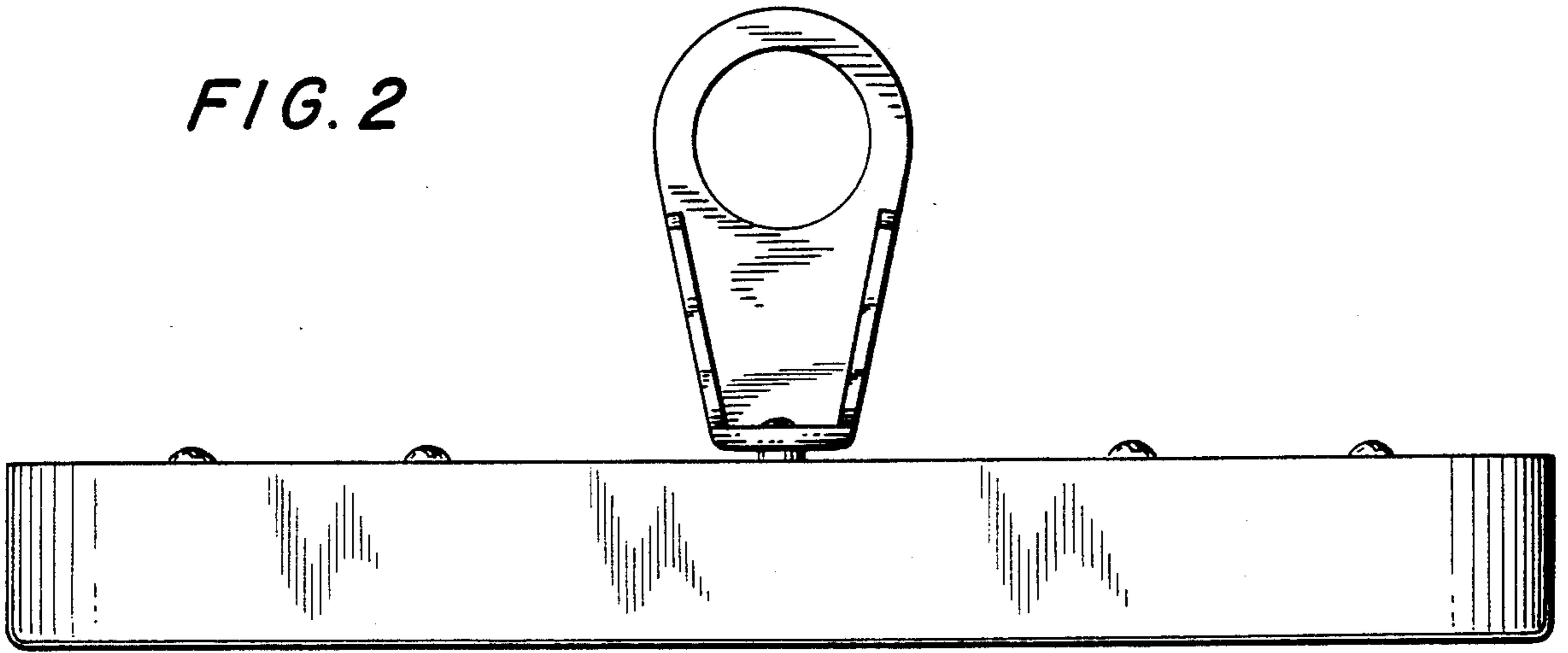


FIG. 3

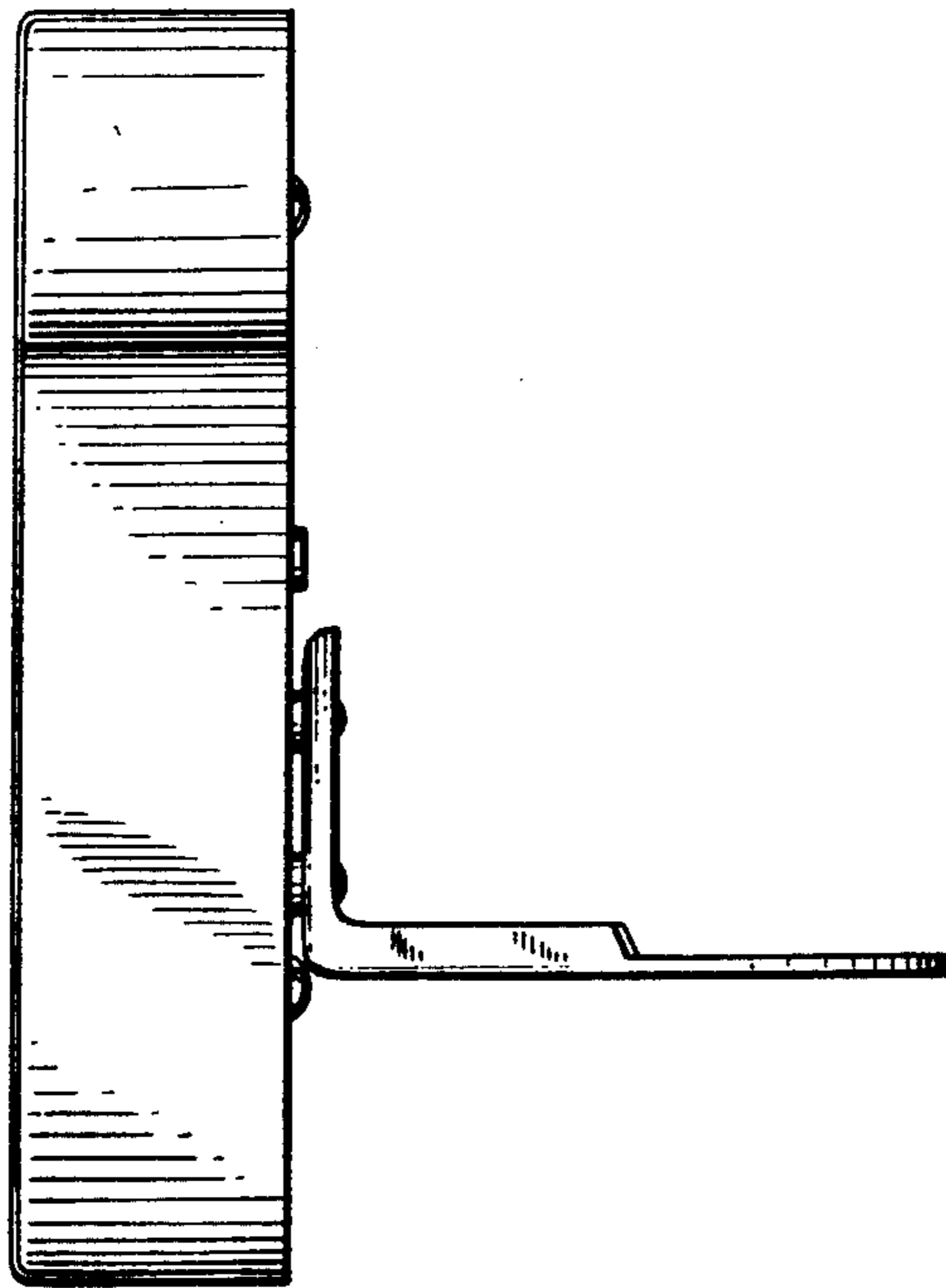


FIG. 4

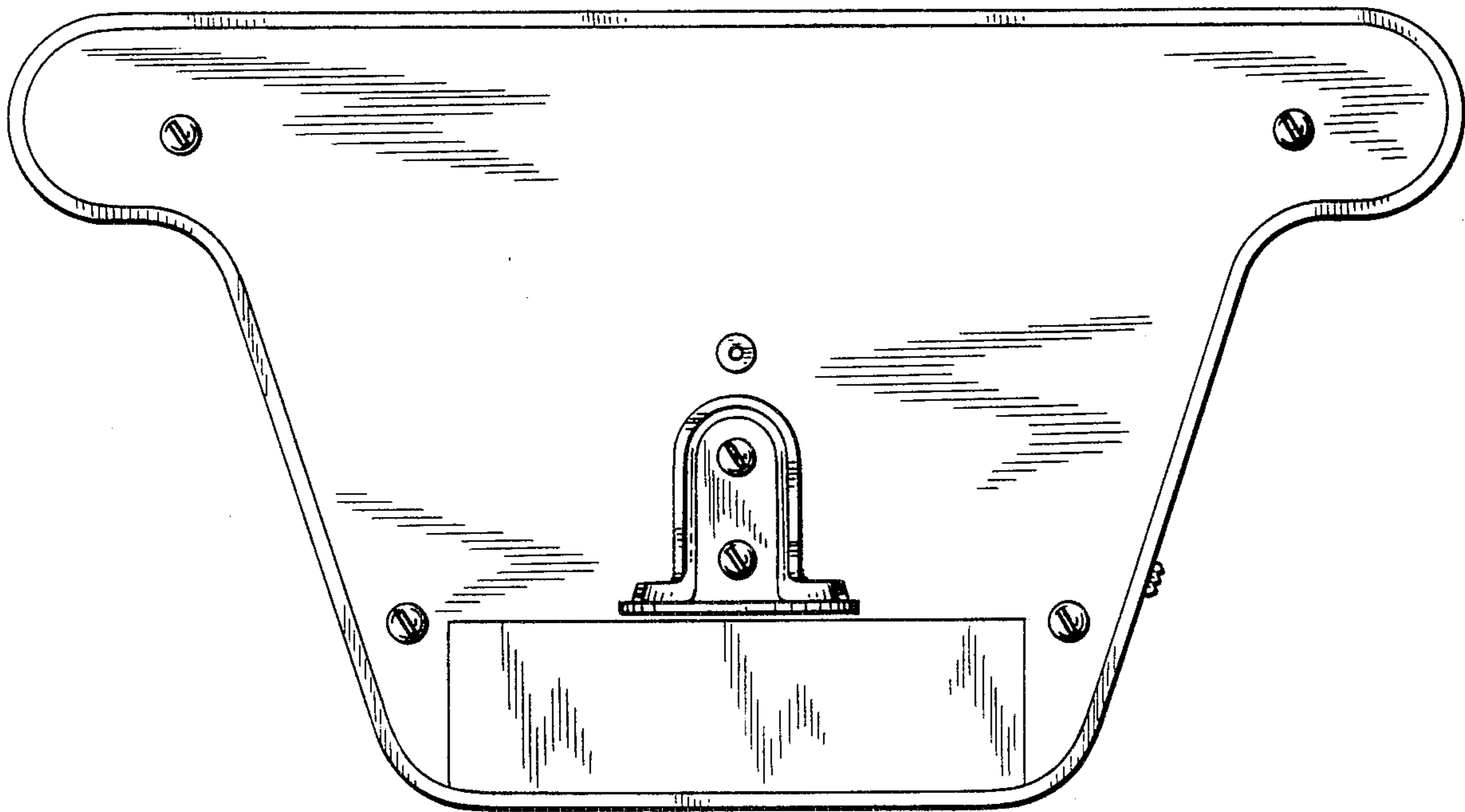


FIG. 5

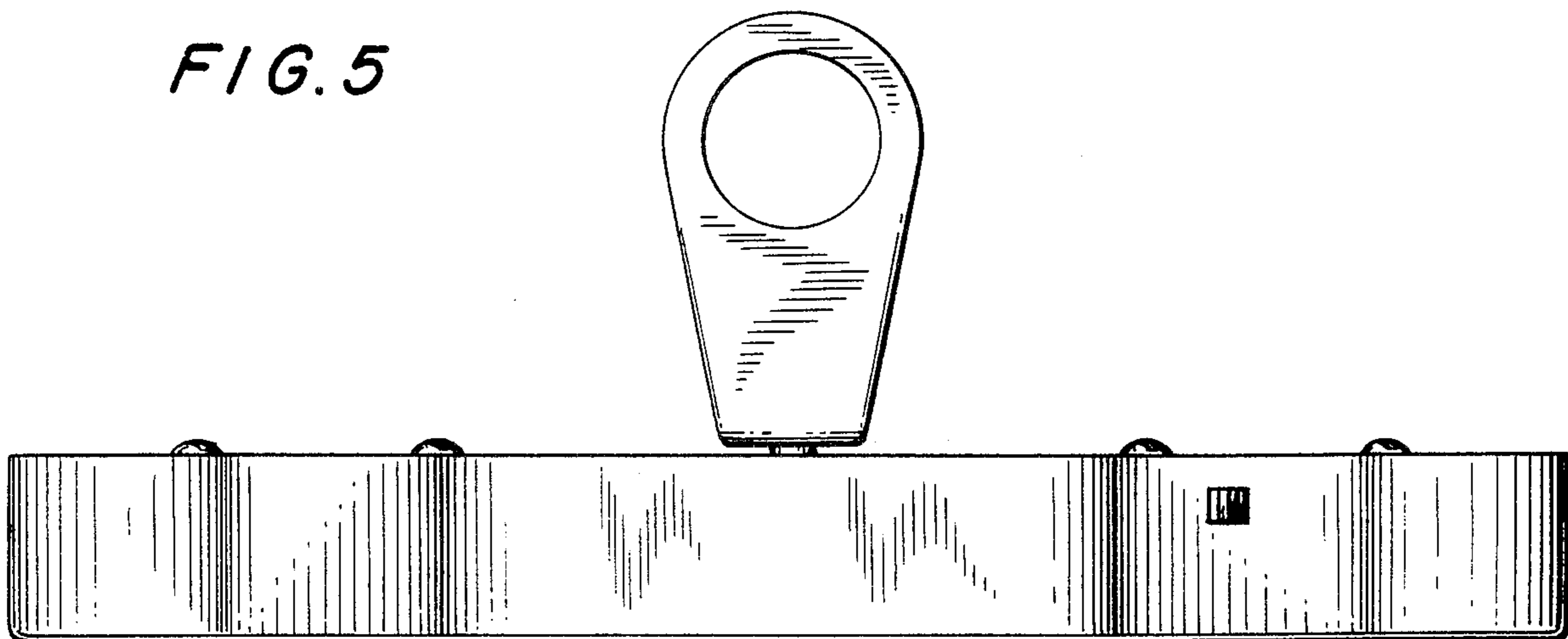


FIG. 6

