

[54] **PICTURE FRAME MOULDING**

[76] **Inventors: Ronald Gordon, 35 Stewart Way;
Anthony F. Berman, 3 Creer Court,
both of Noranda, Australia**

[**] **Term: 14 Years**

[21] **Appl. No.: 630,243**

[22] **Filed: Jul. 12, 1984**

[52] **U.S. Cl. D25/74; D6/300**

[58] **Field of Search D6/300-310,
D6/312-314; D11/131-133, 164; 428/13, 14;
40/152, 154; D25/74, 79**

[56] **References Cited**

U.S. PATENT DOCUMENTS

- D. 150,466 8/1946 Schuler D25/74 X
- D. 241,396 9/1976 Copeland D6/300 X
- 2,489,089 11/1949 Graff et al. D25/79 X

Primary Examiner—Louis S. Zarfes
Attorney, Agent, or Firm—Harness, Dickey & Pierce

[57] **CLAIM**

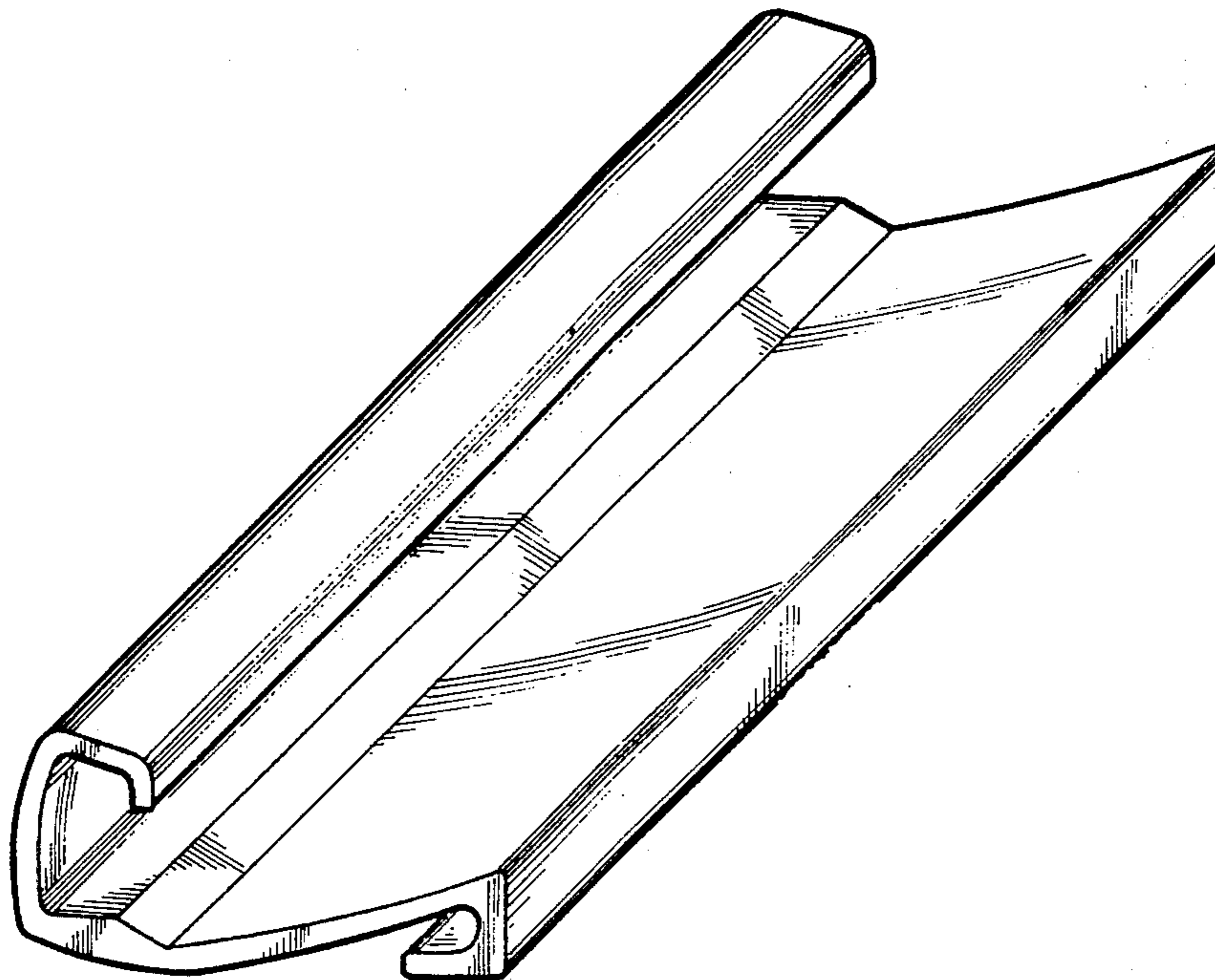
The ornamental design for a picture frame moulding, substantially as shown.

DESCRIPTION

FIG. 1 is a perspective view of a picture frame moulding showing our new design.

FIG. 2 is a further perspective view of the picture frame moulding taken from the opposite side to the view shown in FIG. 1; and

FIG. 3 is an end elevational view of the picture frame moulding.



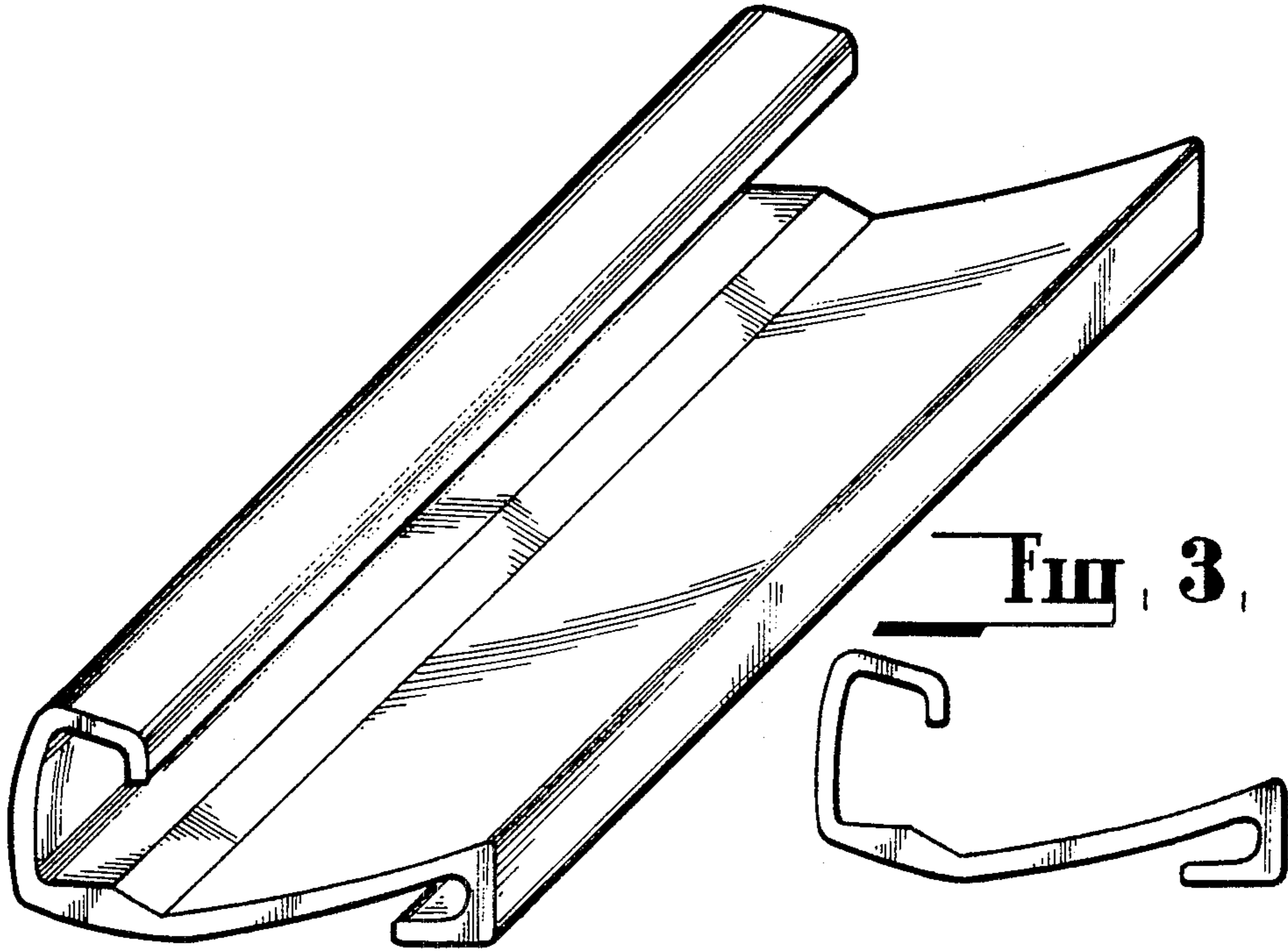


Fig. 1

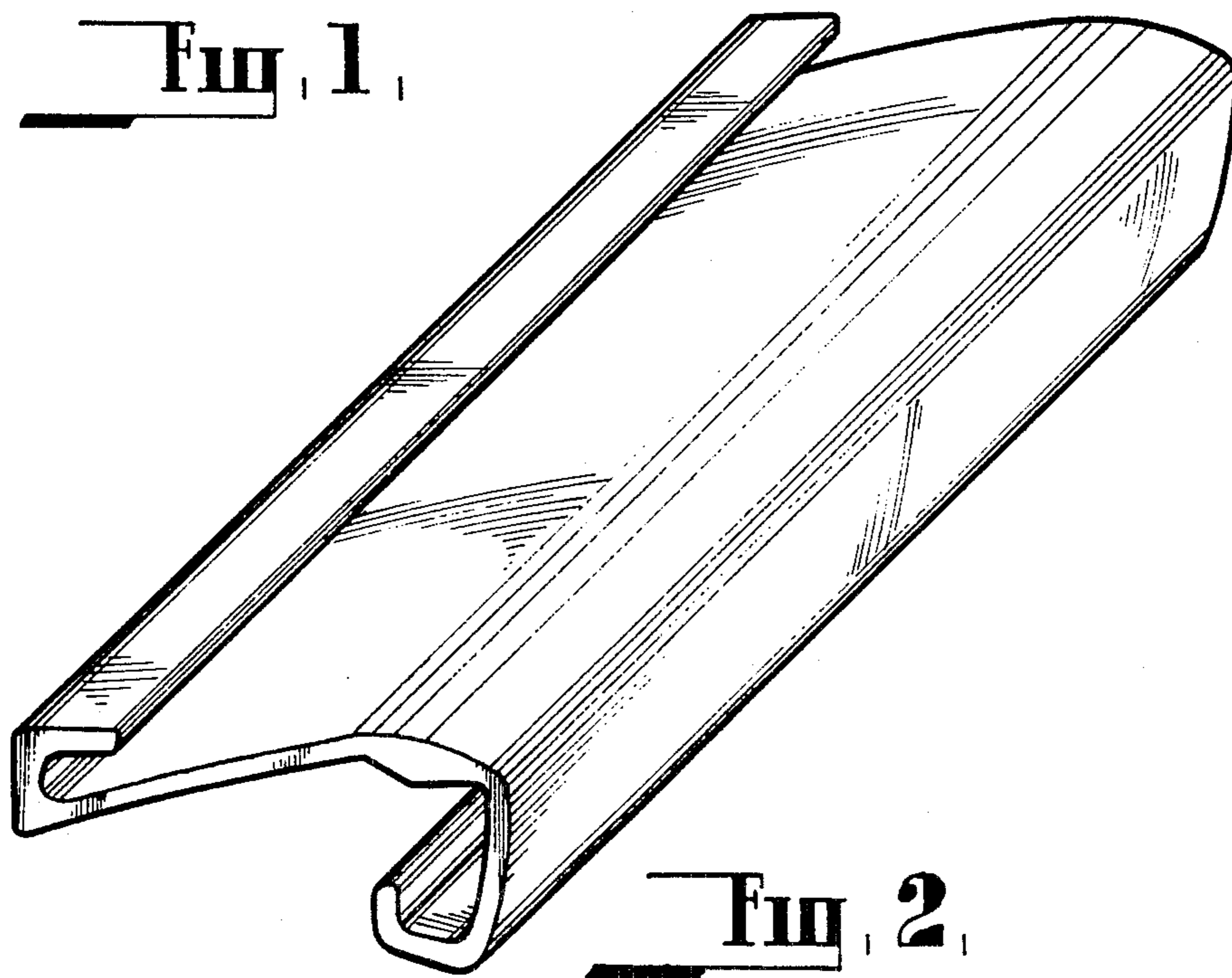


Fig. 2