

[54] SURGICAL DRAIN TUBE

4,579,555 4/1986 Russo ..... 604/266

[75] Inventor: Larry W. Blake, Irvine, Calif.

Primary Examiner—A. Hugo Word

Assistant Examiner—Stella M. Reid

[73] Assignee: Innovative Surgical Products, Inc., Santa Ana, Calif.

Attorney, Agent, or Firm—Knobbe, Martens, Olson & Bear

[\*\*] Term: 14 Years

[57] CLAIM

[21] Appl. No.: 620,949

The ornamental design for a surgical drain tube, as shown and described.

[22] Filed: Jun. 15, 1984

[52] U.S. Cl. .... D24/52; D24/51; D24/53

DESCRIPTION

[58] Field of Search ..... D24/51, 52, 53, 54; 604/93, 266, 280, 282

FIG. 1 is a perspective view of a surgical drain tube showing my new design, the side opposite being identical;

FIG. 2 is an end view thereof;

FIG. 3 is a perspective view of an alternate embodiment of FIG. 1;

FIG. 4 is an end view thereof;

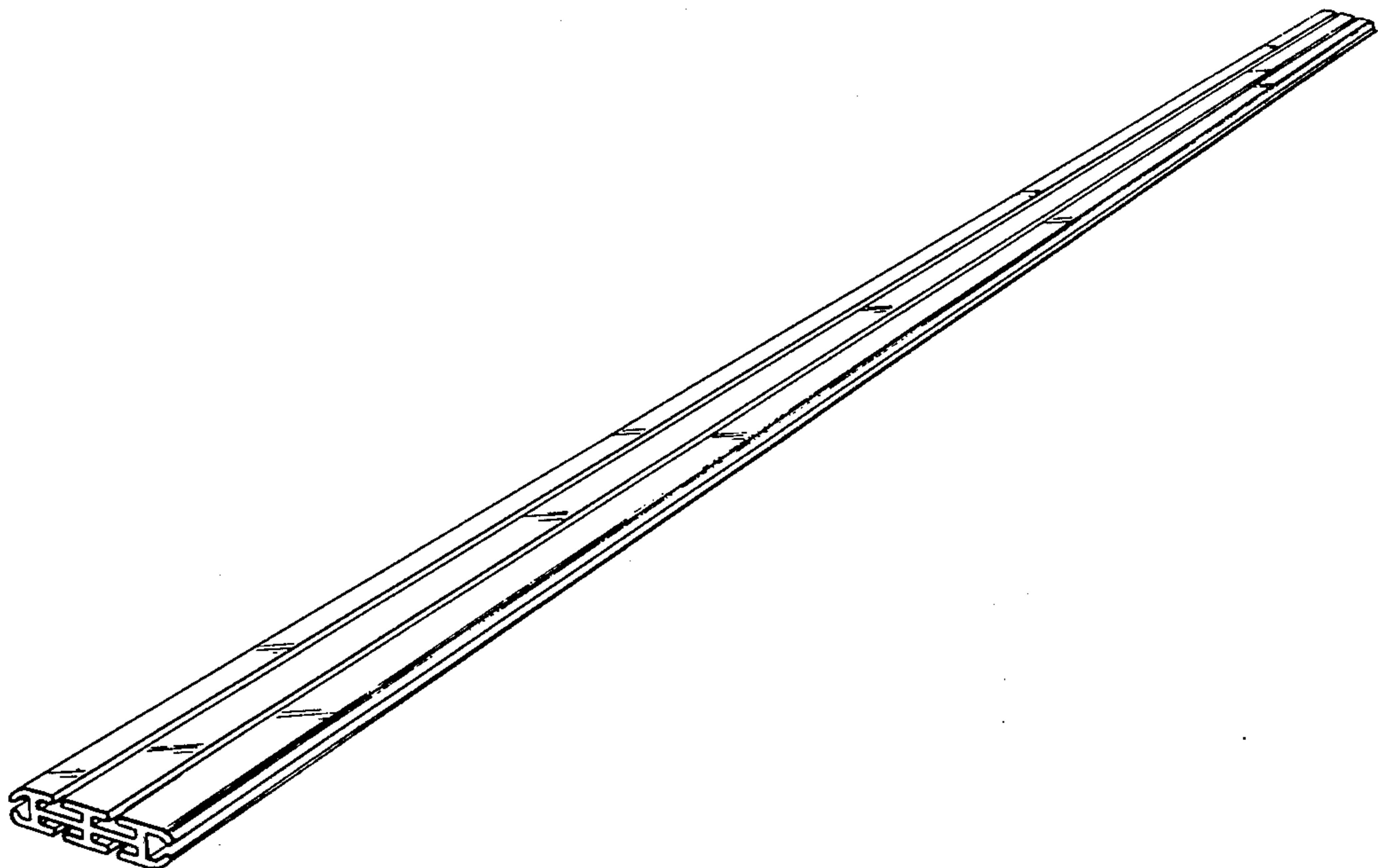
FIG. 5 is a perspective view of another alternate embodiment of FIG. 1; and

FIG. 6 is an end view thereof.

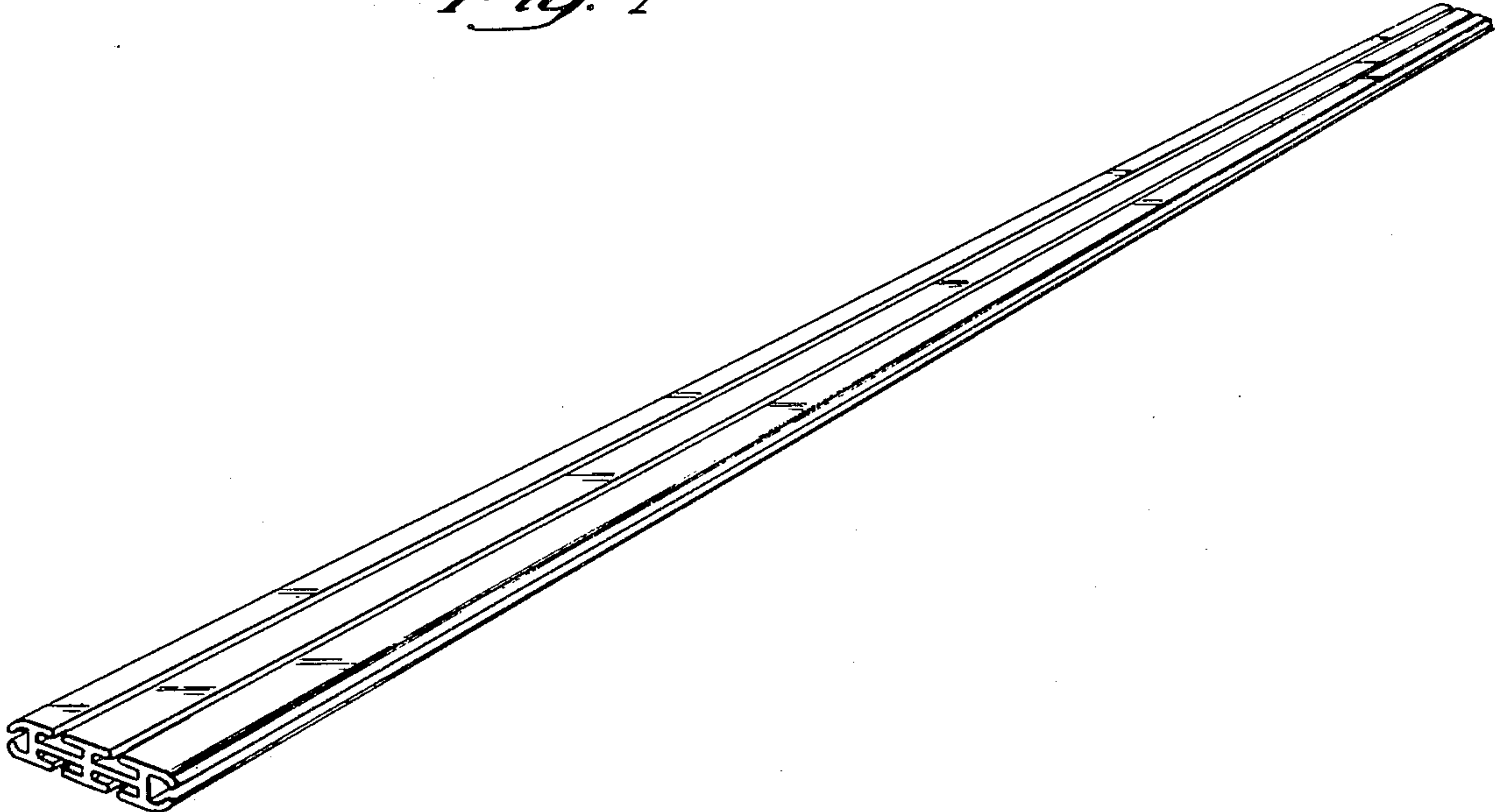
[56] References Cited

U.S. PATENT DOCUMENTS

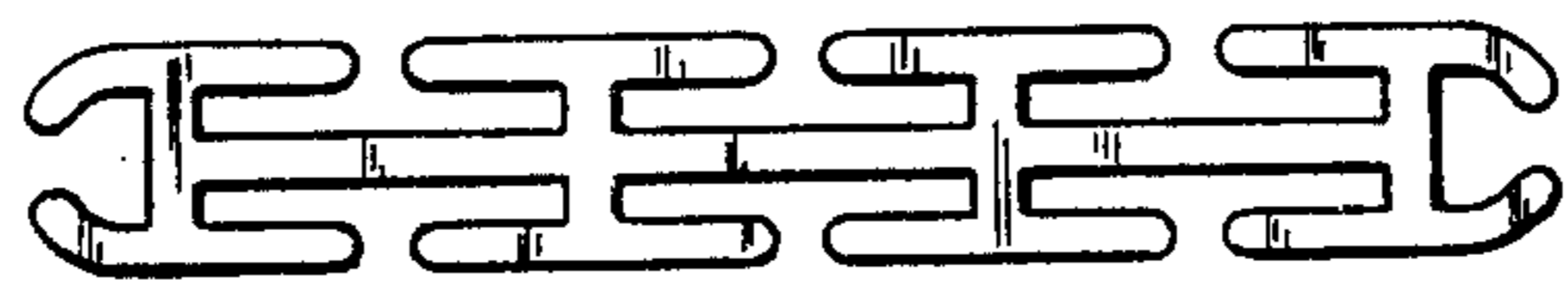
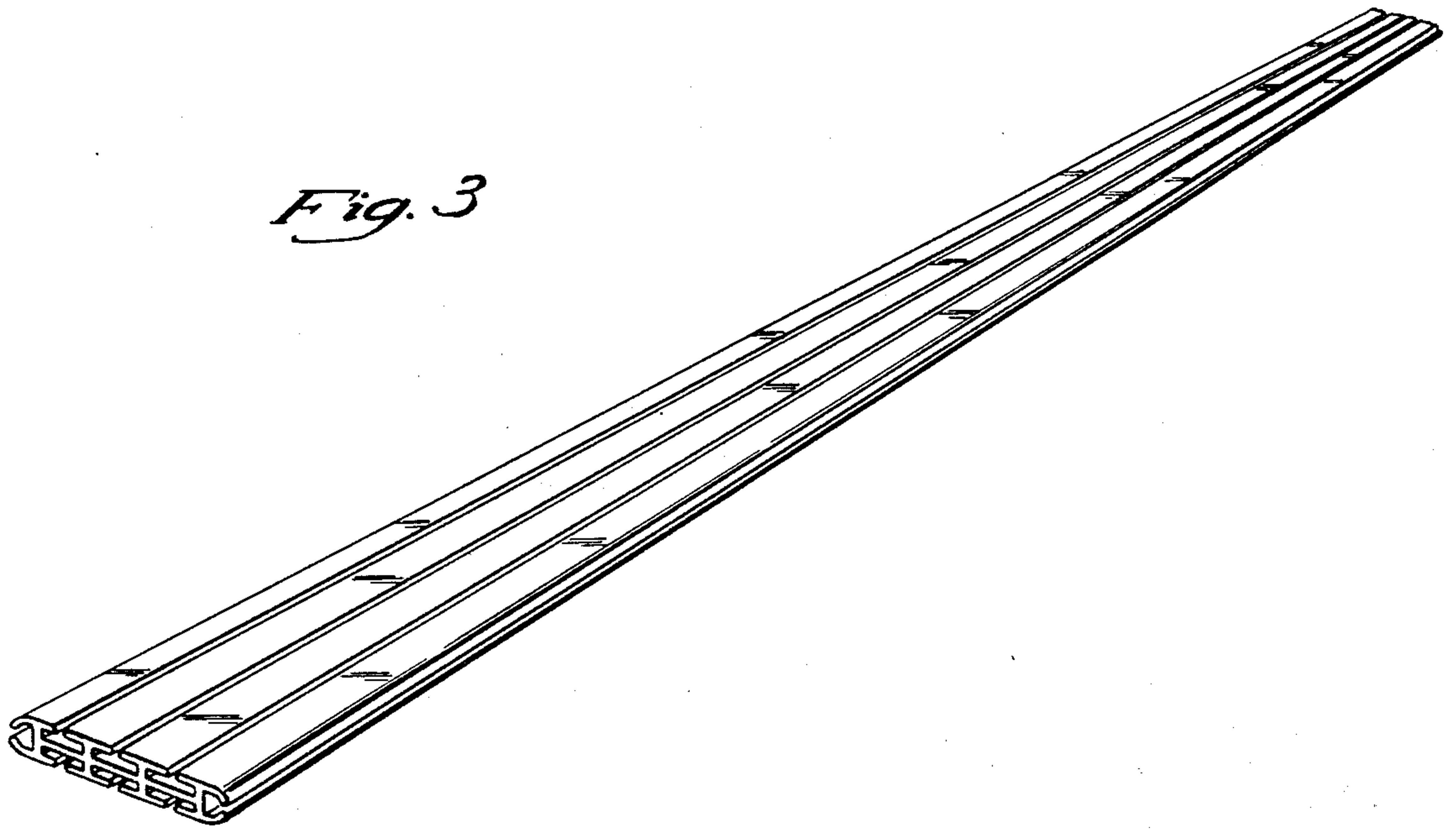
3,957,054	5/1976	McFarlane	.....	604/282
4,317,452	3/1982	Russo et al.	.....	604/282
4,398,910	8/1983	Blake et al.	.....	604/93
4,523,920	6/1985	Russo	.....	604/93



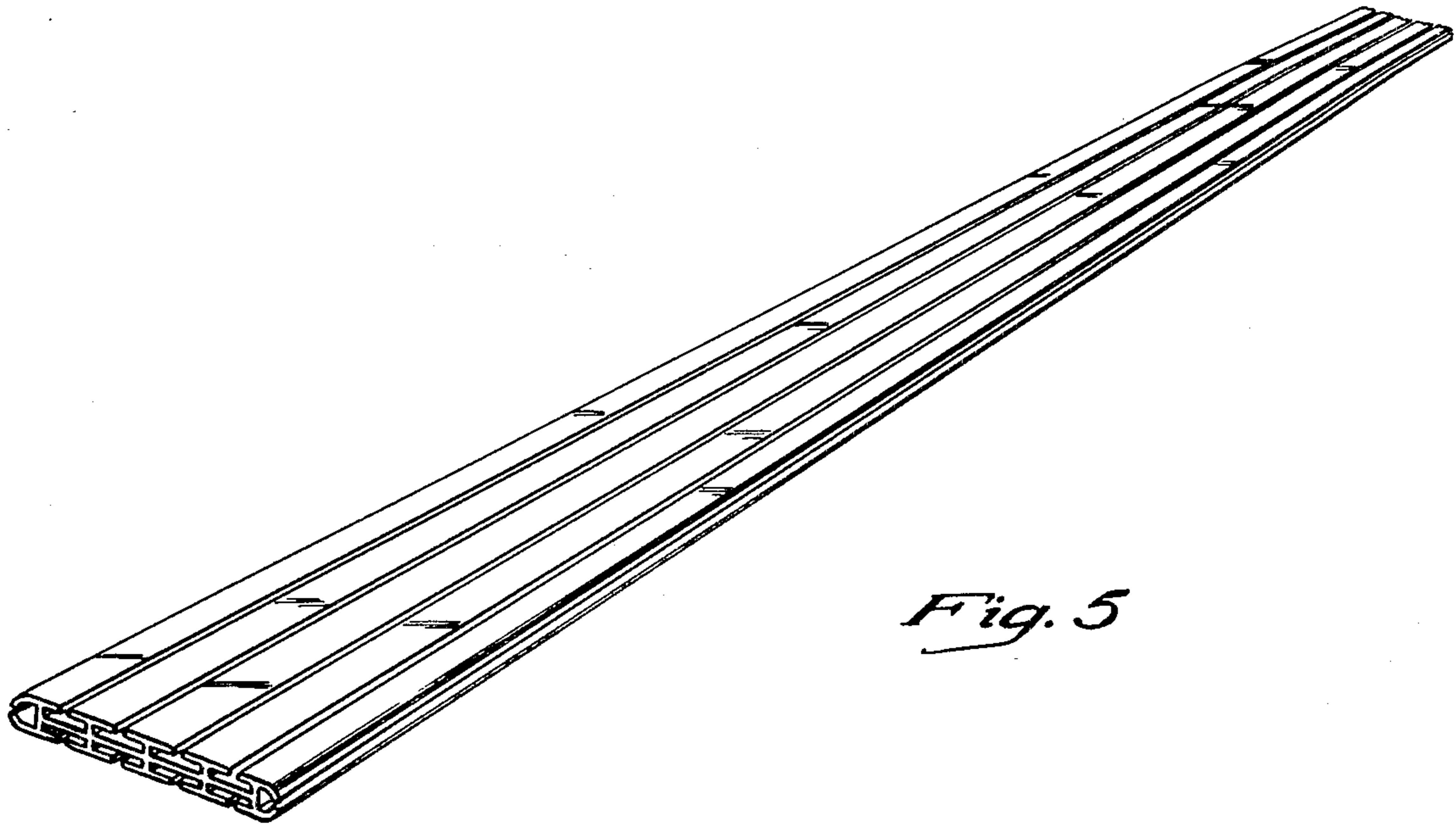
*Fig. 1*



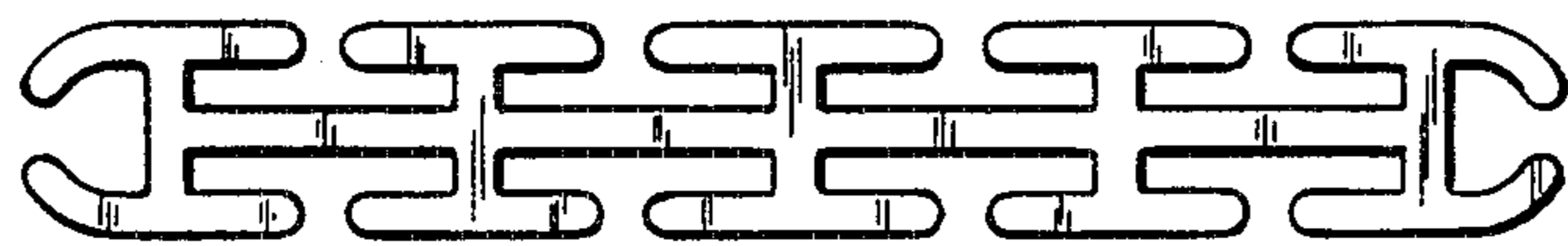
*Fig. 2*



*Fig. 4*



*Fig. 5*



*Fig. 6*