

[54] OTOSCOPE

3,698,387 10/1972 Moore et al. 128/9

[75] Inventor: Karlheinz Riester, Jungingen, Fed. Rep. of Germany

Primary Examiner—A. Hugo Word
Assistant Examiner—Stella M. Reid
Attorney, Agent, or Firm—Dressler, Goldsmith, Shore, Sutker & Milnamow, Ltd.

[73] Assignee: Rudolf Riester GmbH & Co. KG, Fed. Rep. of Germany

[**] Term: 14 Years

[57] CLAIM

[21] Appl. No.: 664,859

The ornamental design for an otoscope, substantially as shown and described.

[22] Filed: Oct. 25, 1984

DESCRIPTION

[30] Foreign Application Priority Data

Apr. 26, 1984 [DE] Fed. Rep. of Germany MR432

[52] U.S. Cl. D24/17

[58] Field of Search D24/17, 18, 8; 128/9, 128/3-8

FIG. 1 is a perspective view of an otoscope showing my new design;

FIG. 2 is a left side elevational view thereof;

FIG. 3 is a top plan view thereof;

FIG. 4 is a right side elevational view thereof;

FIG. 5 is a bottom plan view thereof;

FIG. 6 is a front end elevational view thereof; and

FIG. 7 is a rear end elevational view thereof.

The broken line structure shown in FIGS. 1, 3 and 7 through the transparent surface of the otoscope is for illustrative purposes only and forms no part of the claimed design.

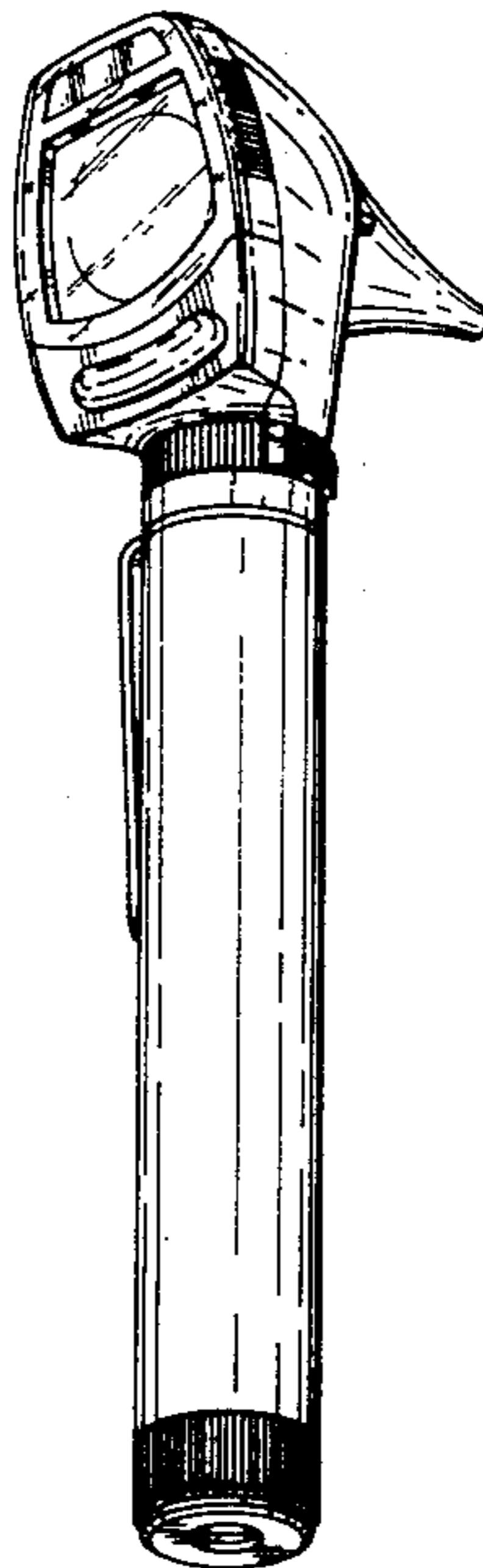
[56] References Cited

U.S. PATENT DOCUMENTS

D. 207,372 4/1967 Pulos D24/17

D. 221,109 7/1971 Heine D24/17

3,373,737 3/1968 Moore et al. 128/9



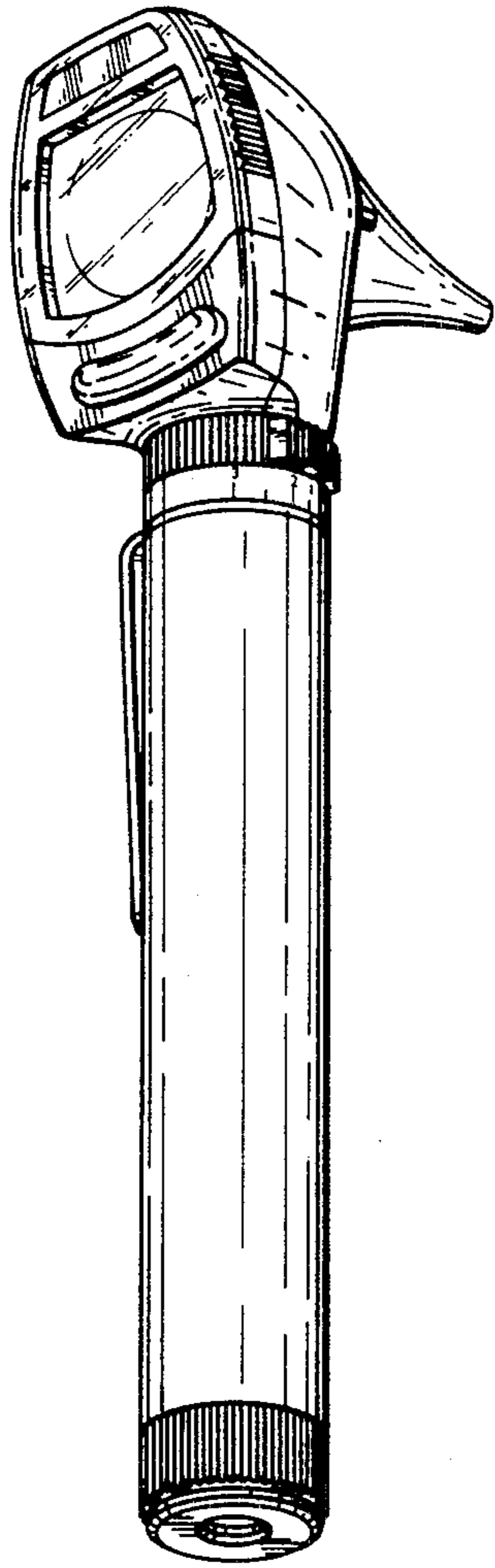


FIG. 1

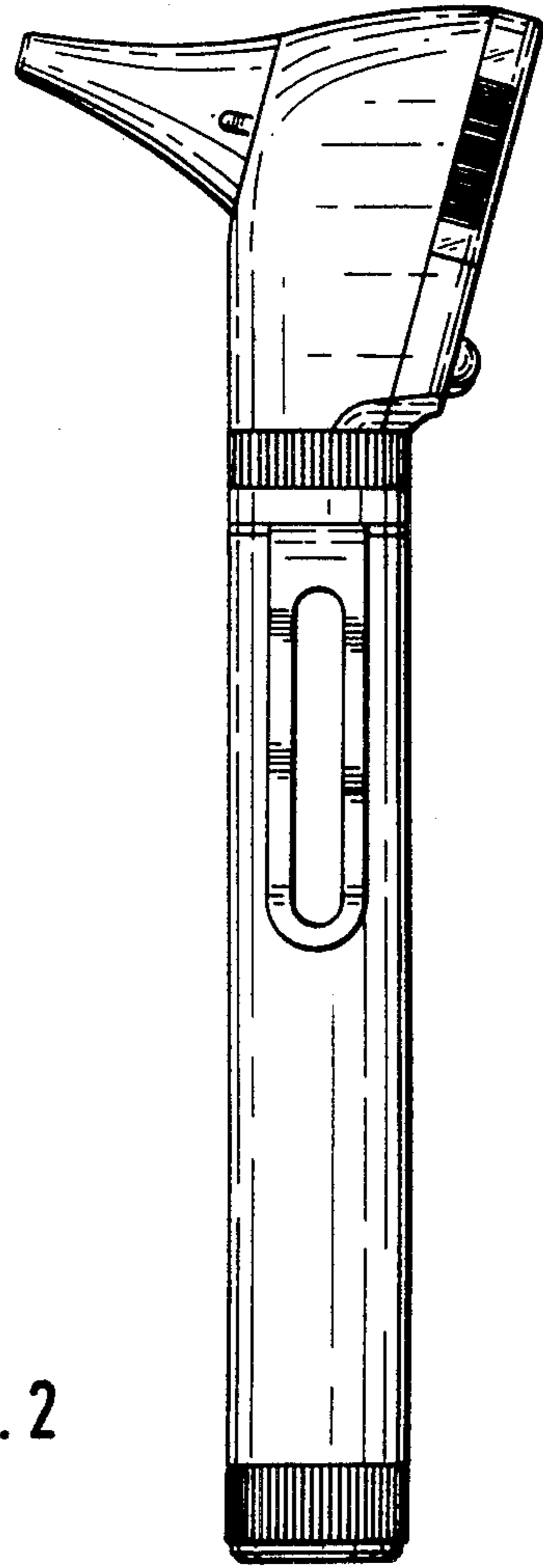


FIG. 2

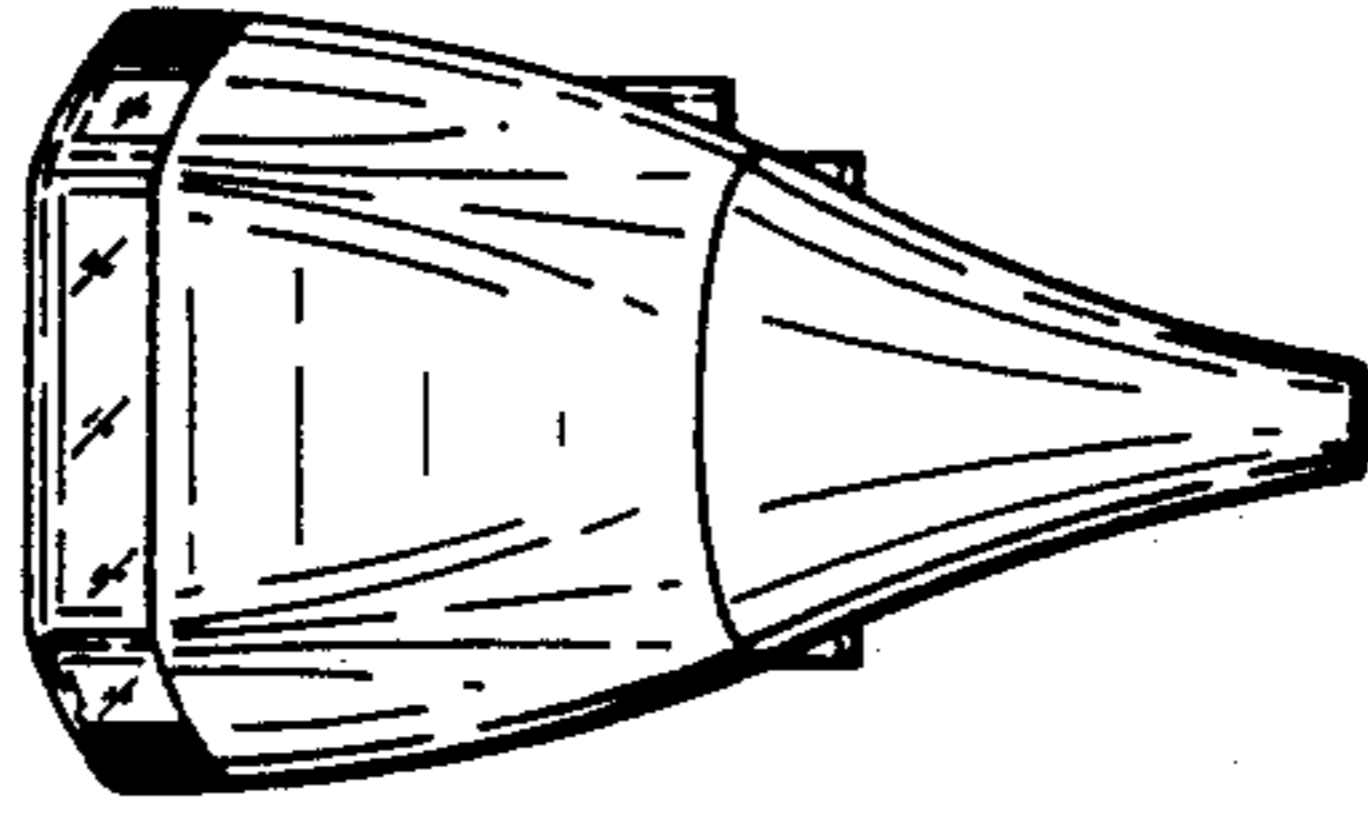


FIG. 6

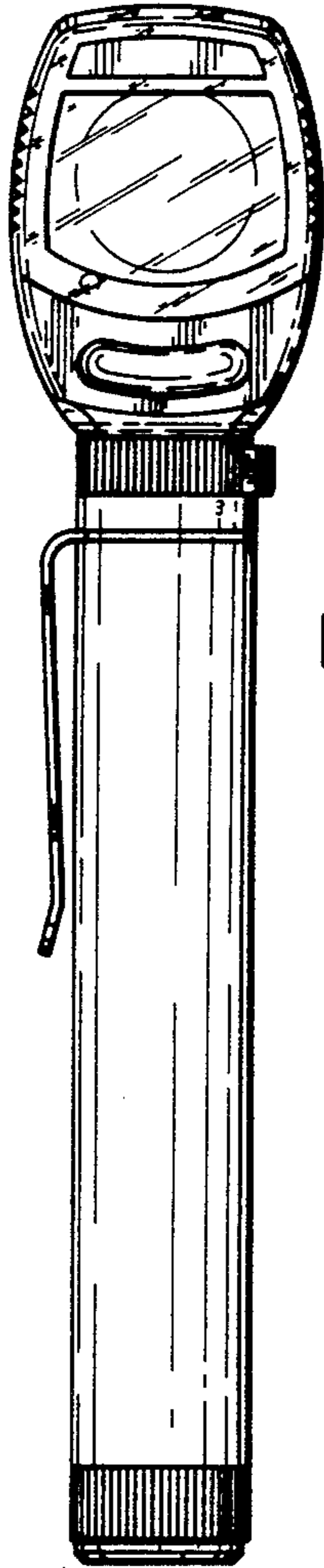


FIG. 3

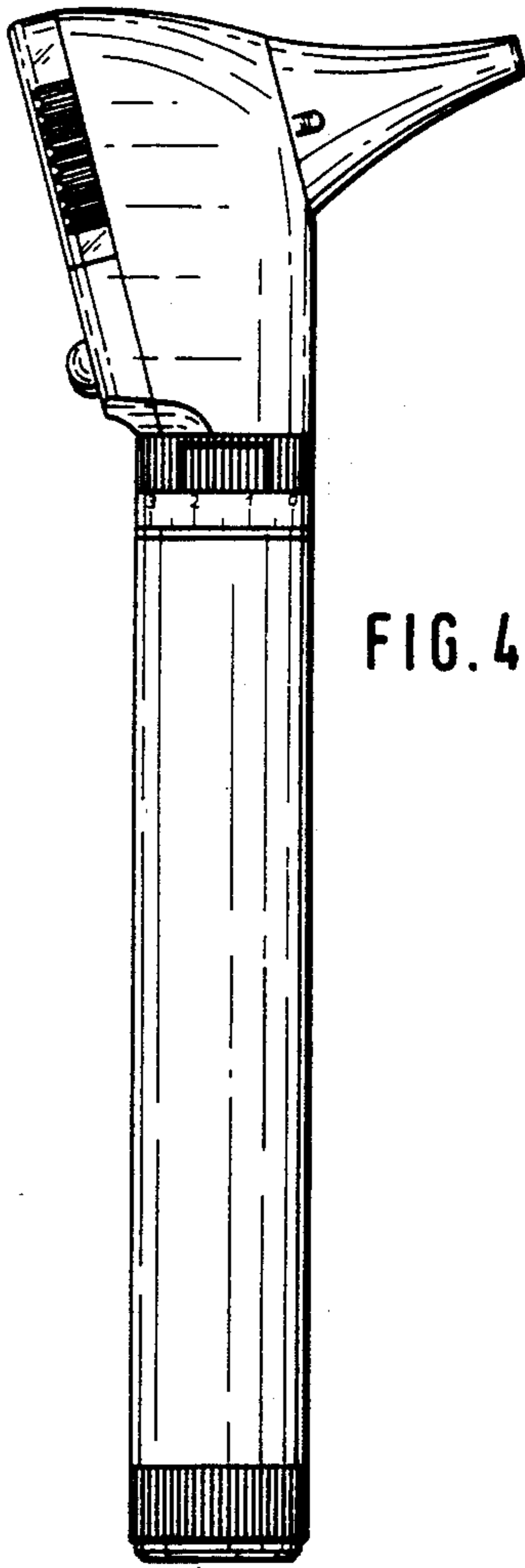


FIG. 4

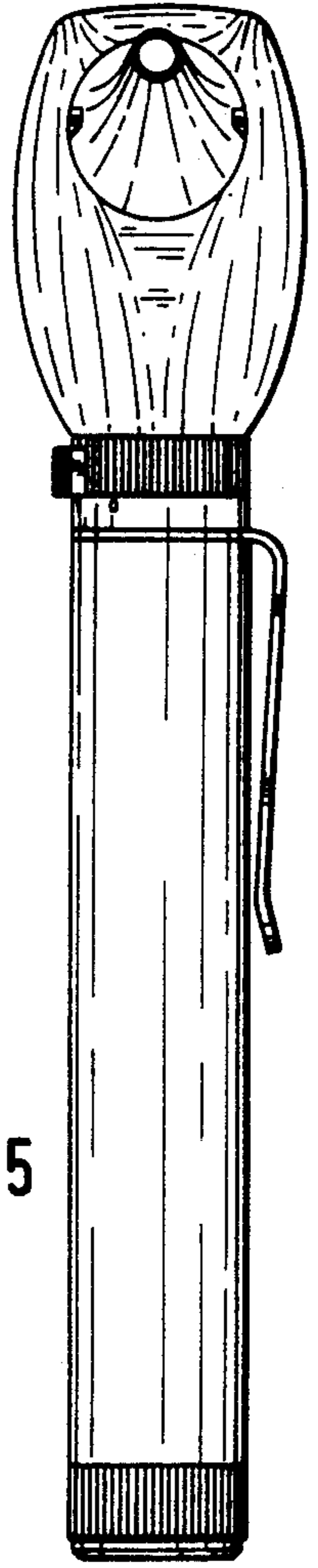


FIG. 5

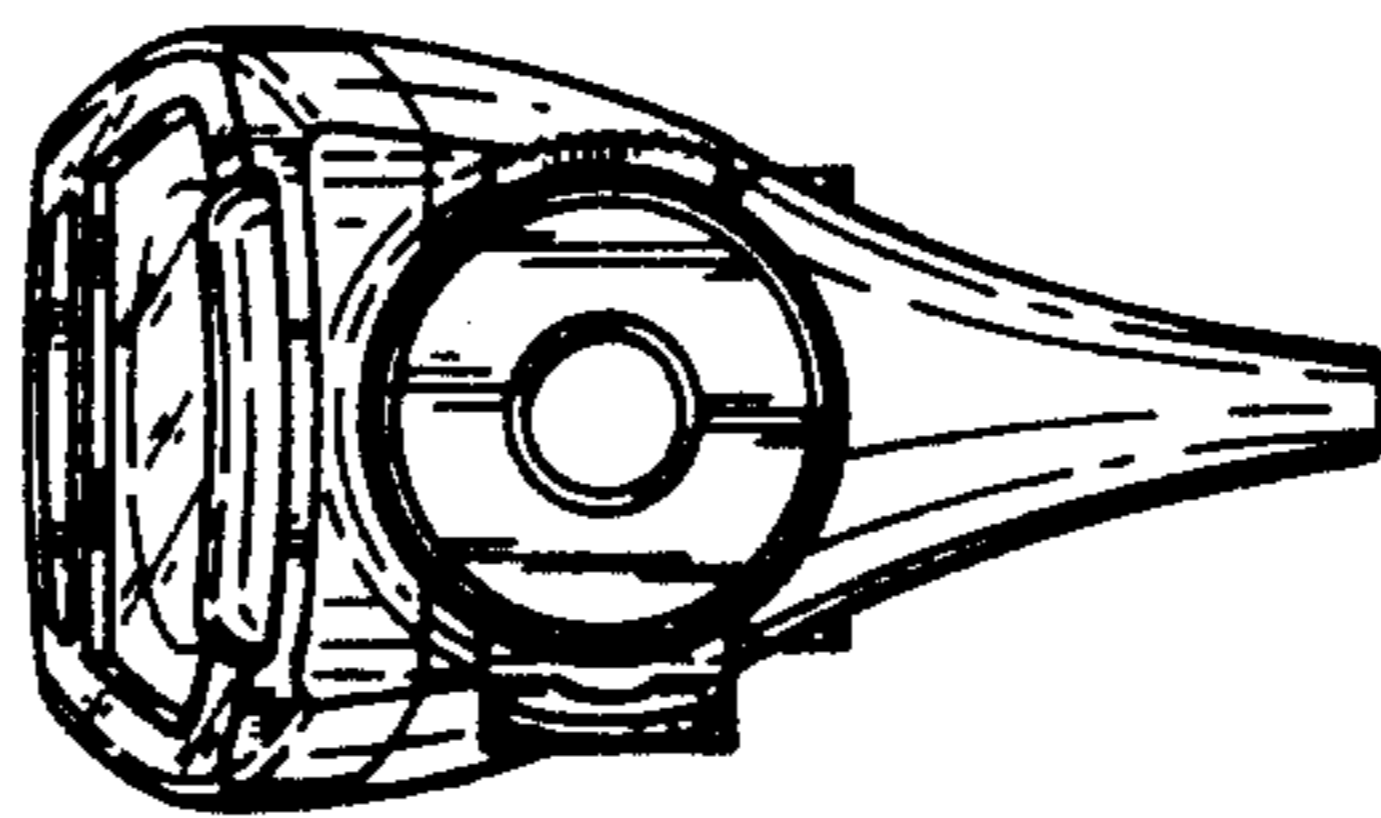


FIG. 7