

# United States Patent [19]

McDermott et al.

[11] Patent Number: **Des. 288,954**

[45] Date of Patent: **\*\* Mar. 24, 1987**

[54] **DISPENSING NOZZLE**

[75] Inventors: **Peter B. McDermott, Boonton;**  
**Gerald M. Syrek, Saddle Brook, both**  
**of N.J.**

[73] Assignee: **Economics Laboratory, Inc., St. Paul,**  
**Minn.**

[\*\*] Term: **14 Years**

[21] Appl. No.: **652,404**

[22] Filed: **Sep. 20, 1984**

[52] U.S. Cl. .... **D23/34**

[58] Field of Search ..... **D23/34-39;**  
**222/491, 494; 239/589**

[56] **References Cited**

## U.S. PATENT DOCUMENTS

D. 93,865	11/1934	Czarnecki, Jr. ....	D23/35
D. 159,174	6/1950	Thompson .....	D23/34
D. 280,125	8/1985	Butterfield et al. ....	D23/35
3,009,655	11/1961	Palmer .....	239/600

3,994,393	11/1976	Nilson .....	222/494 X
4,036,406	7/1977	Jespersen et al. ....	222/494 X
4,256,242	3/1981	Christine .....	222/494 X
4,438,884	3/1984	O'Brien et al. ....	239/600

*Primary Examiner*—James R. Largen  
*Attorney, Agent, or Firm*—Merchant, Gould, Smith,  
Edell, Welter & Schmidt

[57] **CLAIM**

The ornamental design for a dispensing nozzle, as shown.

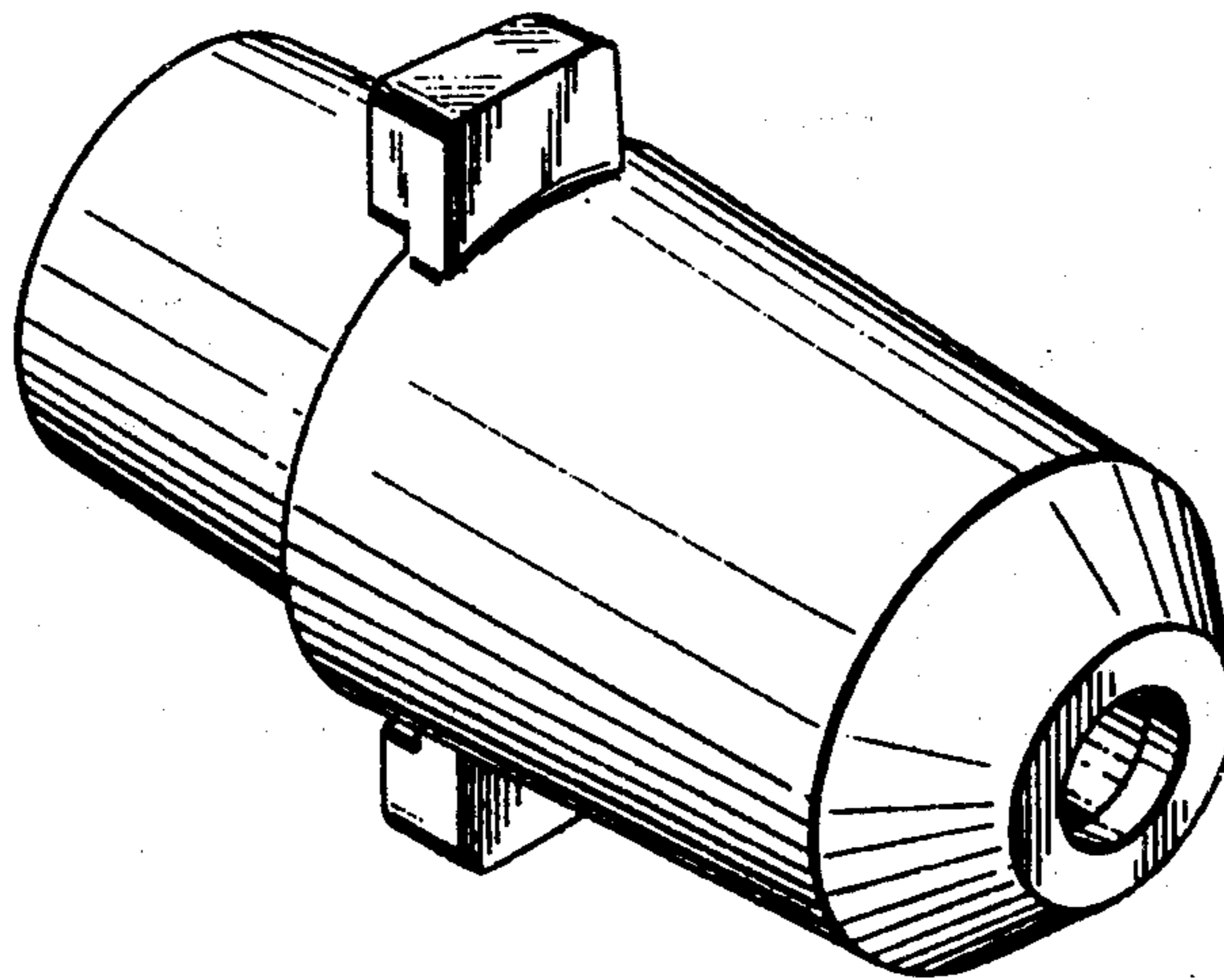
## DESCRIPTION

FIG. 1 is a perspective view taken from the top, front and left side of a dispensing nozzle showing our new design;

FIG. 2 is a top plan view thereof, the bottom being a mirror image of the top shown;

FIG. 3 is a left side elevational view thereof, the right side being a mirror image of the left side shown;

FIG. 4 is a front elevational view thereof; and  
FIG. 5 is a rear elevational view thereof.



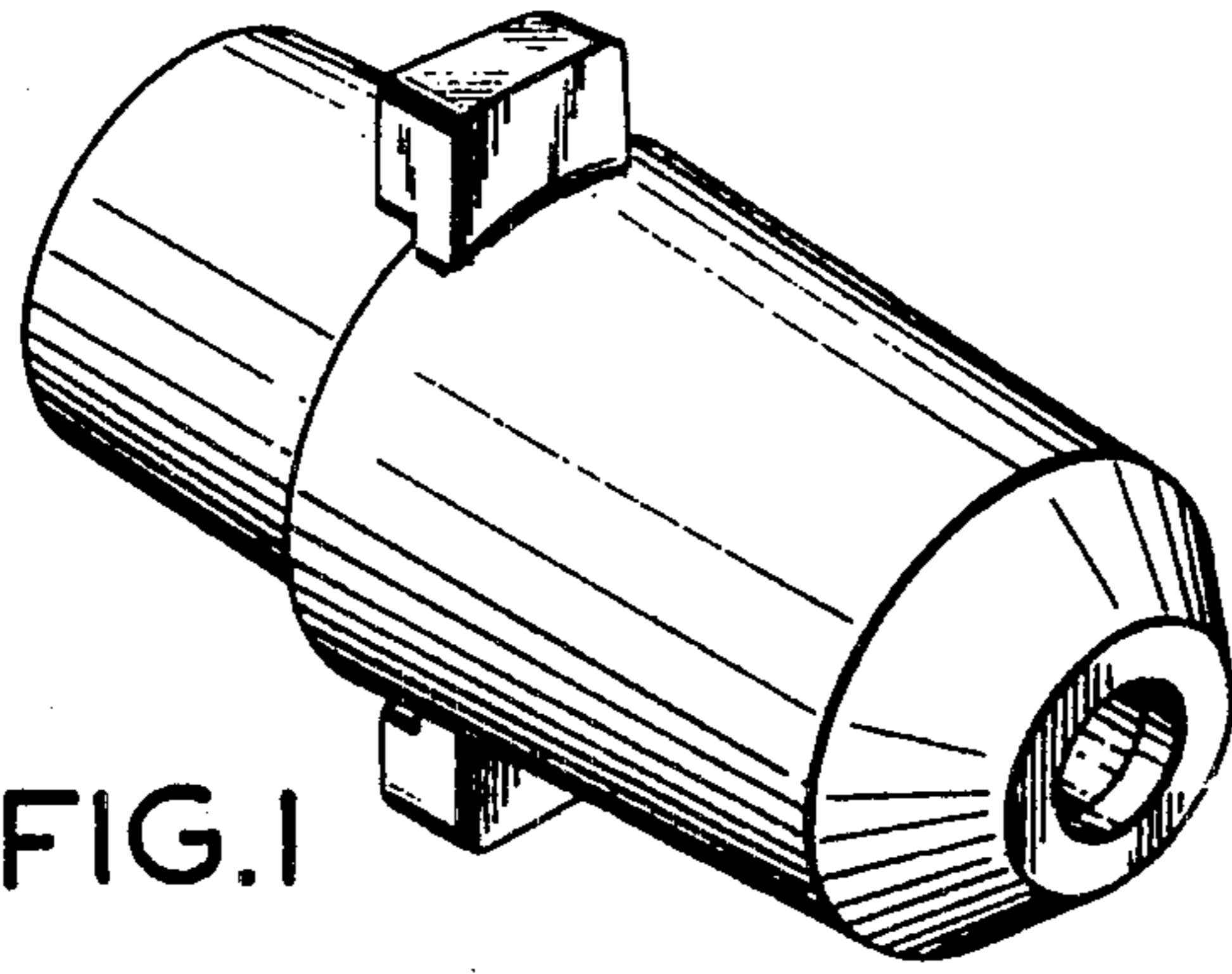


FIG. 1

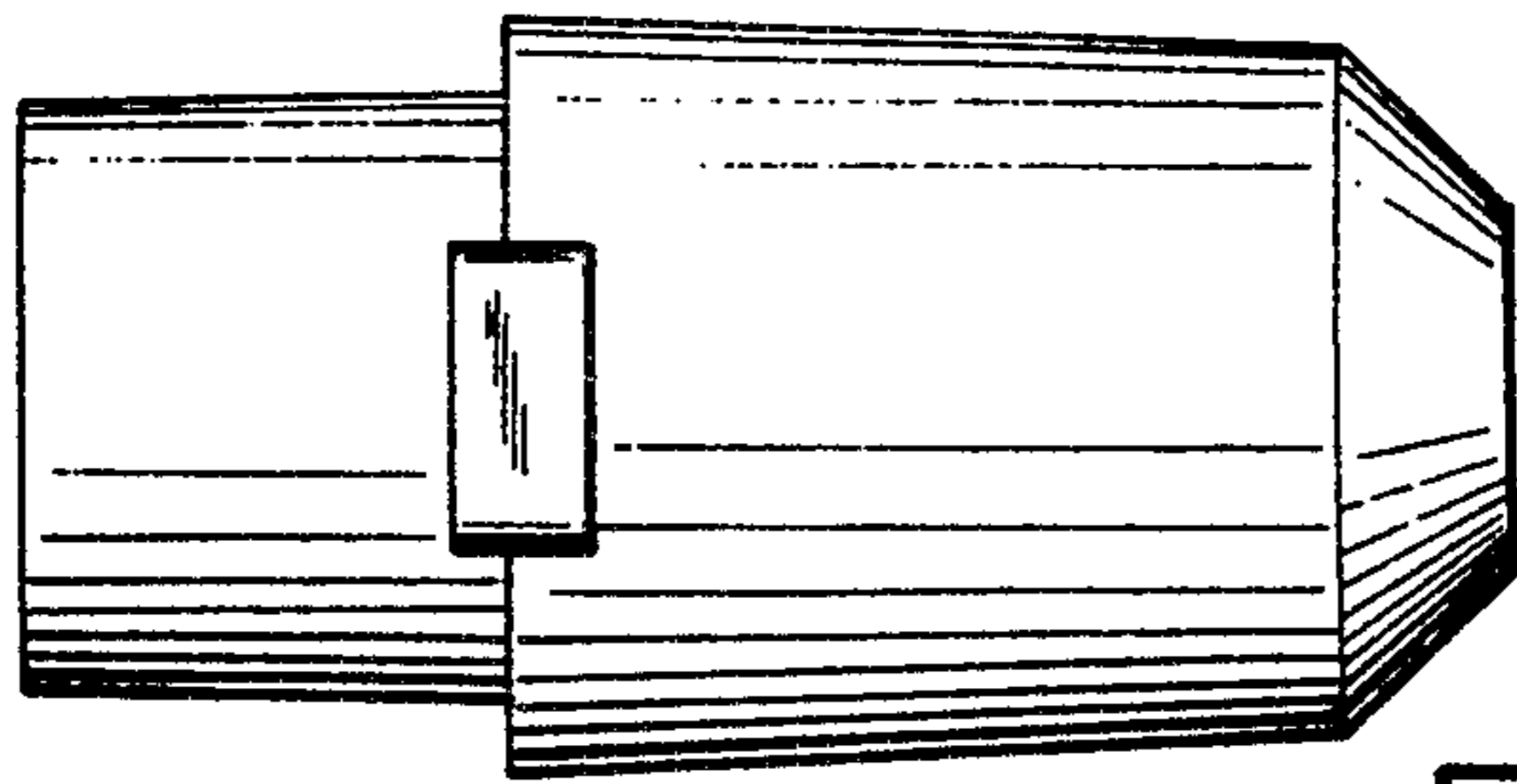


FIG. 2

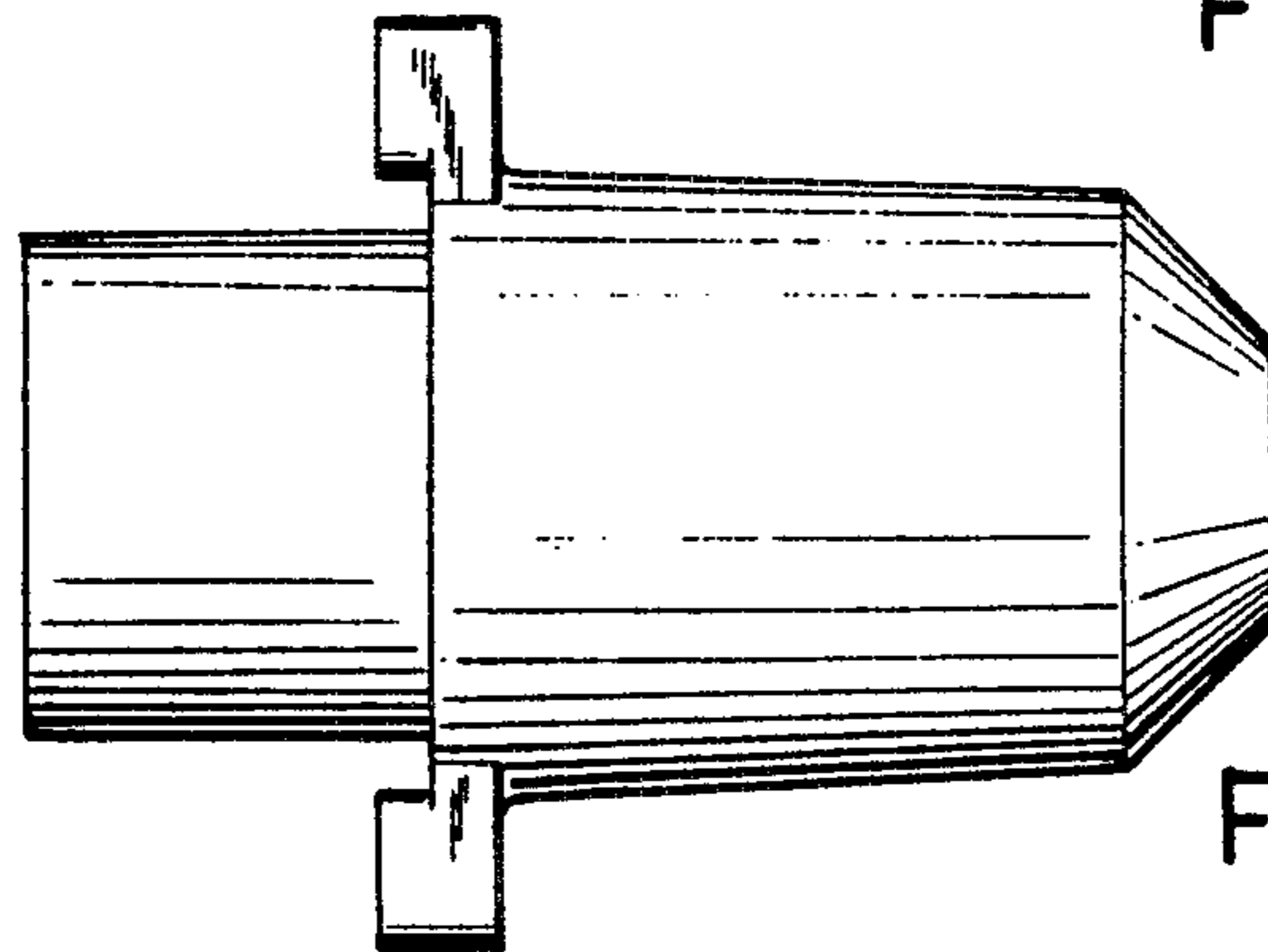


FIG. 3

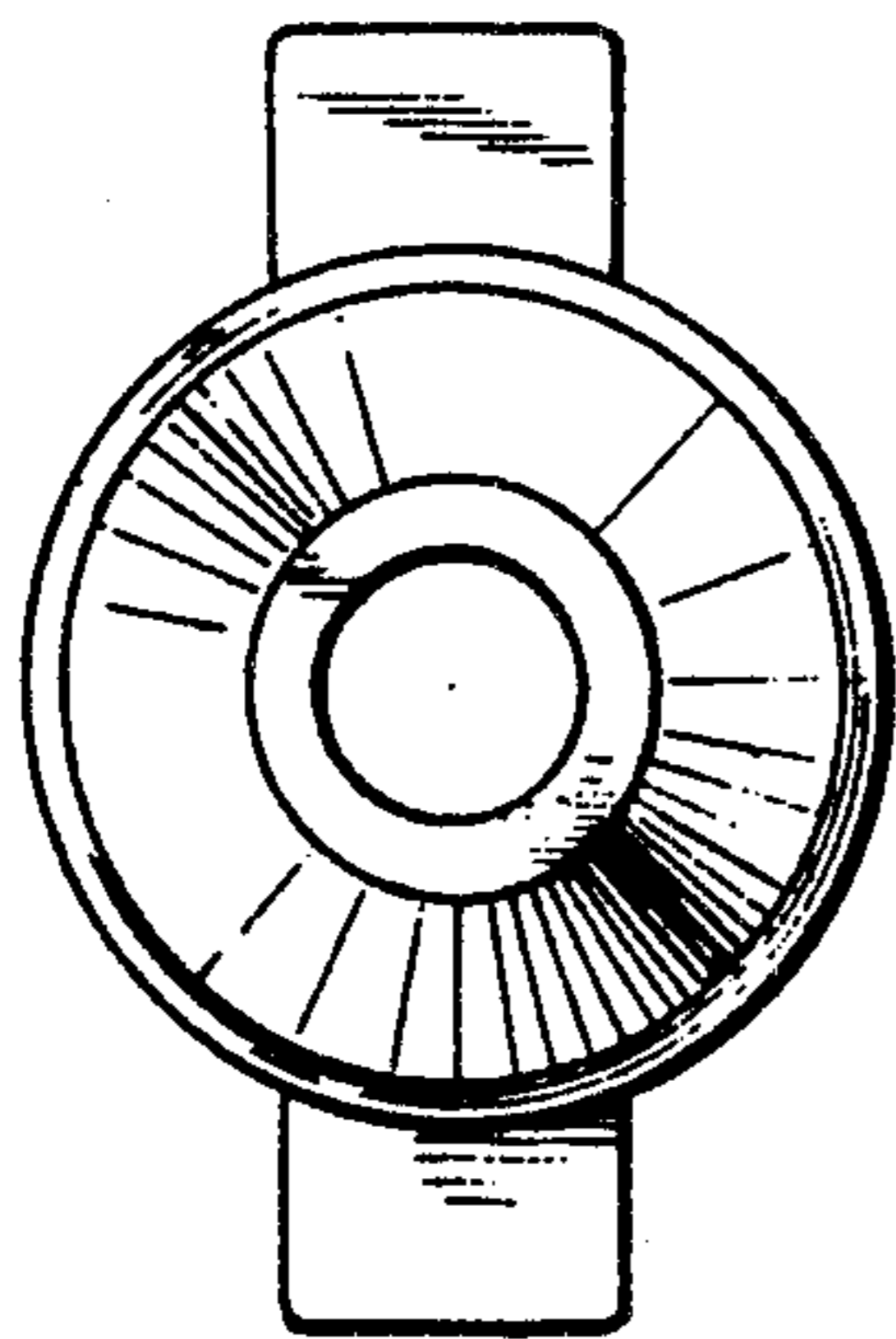


FIG. 4

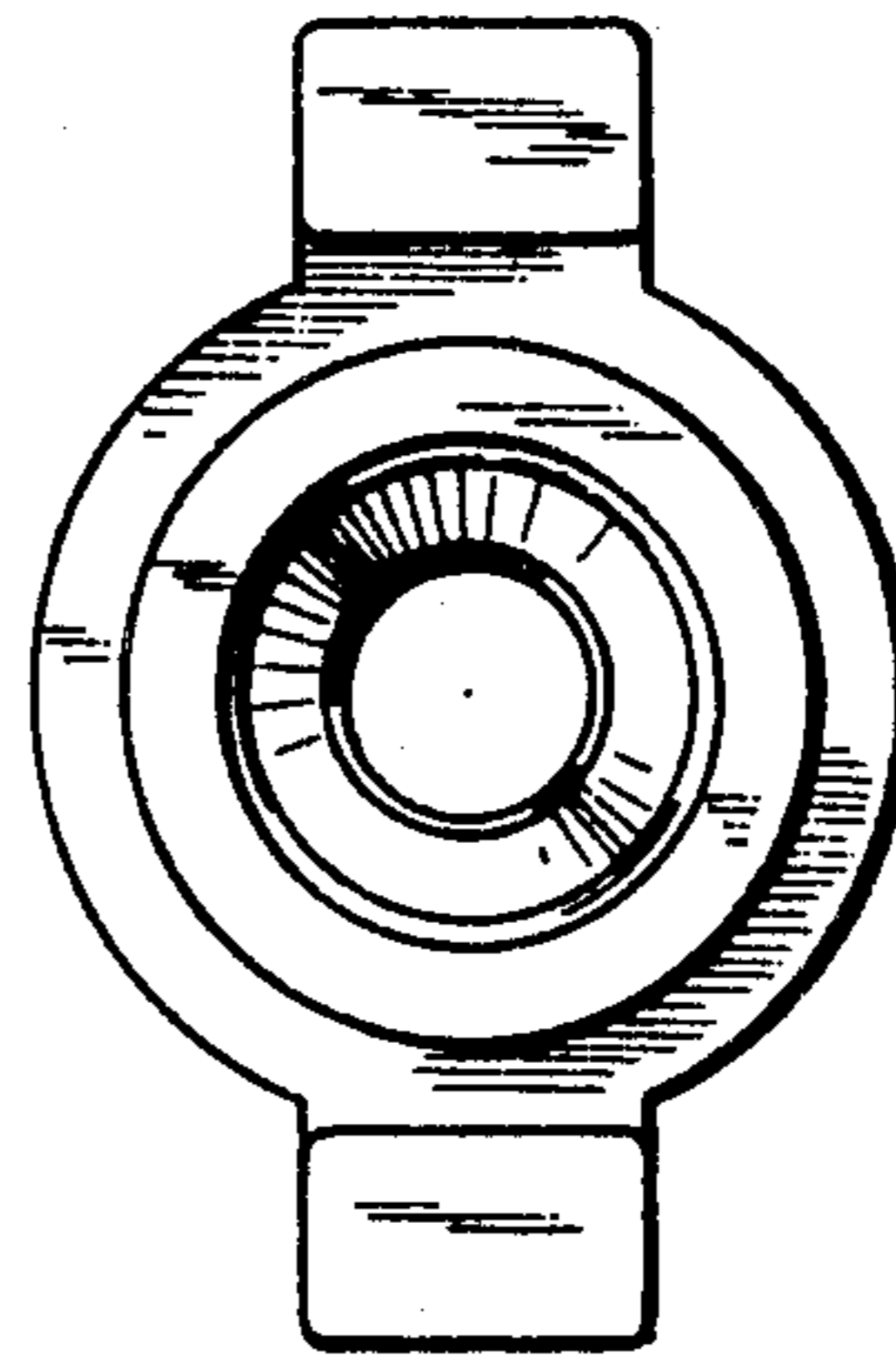


FIG. 5