

[54] ROWING MACHINE

[75] Inventor: Heikki Kiiski, Turku, Finland

[73] Assignee: Tunturipyörä Oy, Turku, Finland

[\*\*] Term: 14 Years

[21] Appl. No.: 683,214

[22] Filed: Dec. 18, 1984

[30] Foreign Application Priority Data

Jul. 3, 1984 [FI] Finland ..... 673/84

[52] U.S. Cl. .... D21/195

[58] Field of Search ..... D21/191, 195, 198;  
272/72, 143, 134, 144, 145

[56] References Cited

U.S. PATENT DOCUMENTS

- D. 265,110 6/1982 Lafont ..... D21/195
- D. 268,277 3/1983 Smith ..... D21/191
- D. 283,530 4/1986 Smith et al. .... D21/195

4,488,719 12/1984 Brown et al. .... 272/72

OTHER PUBLICATIONS

Amerrec Flier; "Amerrec 610" Rowing Machine. Schoner Wohnen, 11-1984, p. 110, Item #2, Rowing Machine.

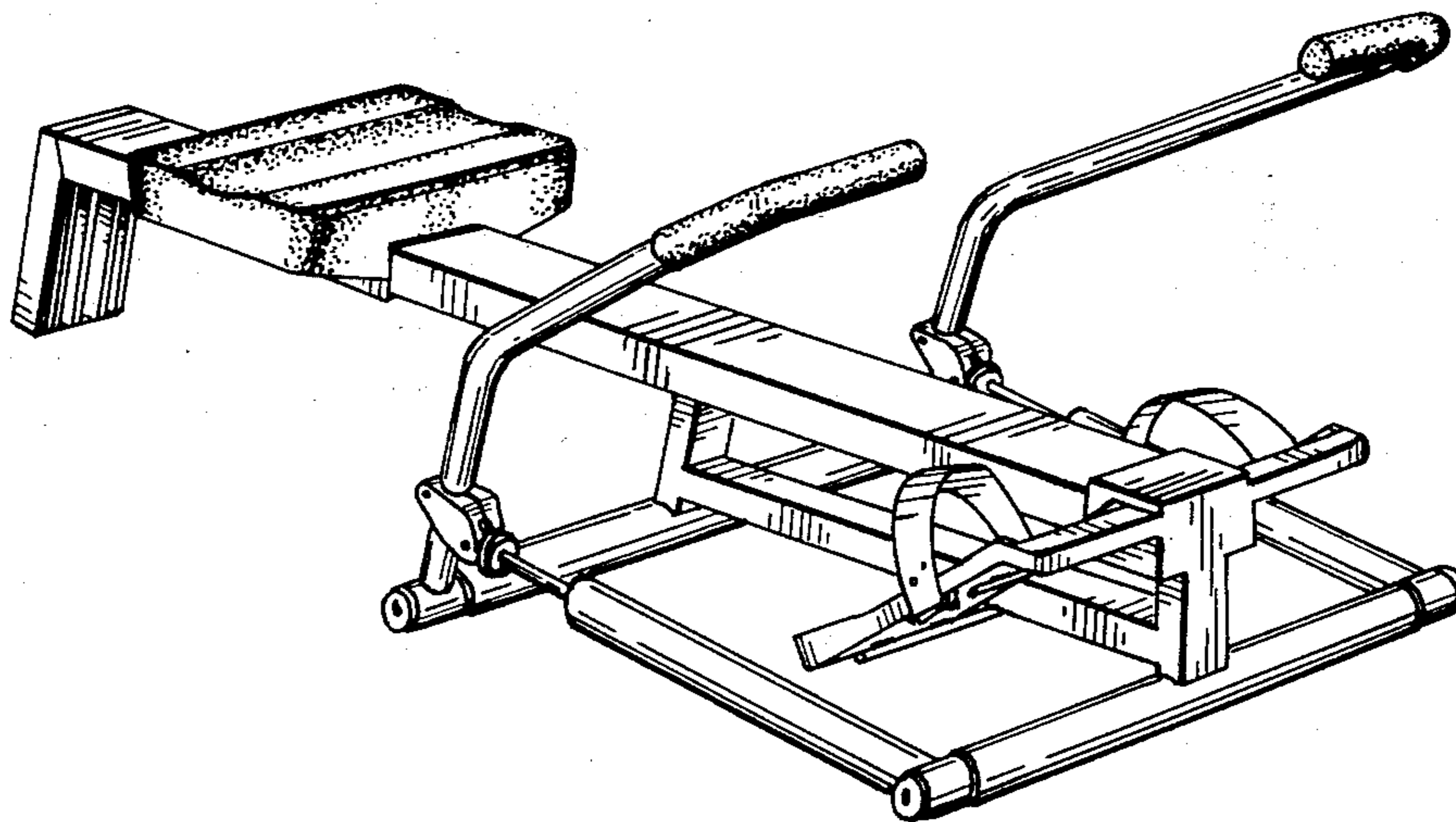
Primary Examiner—Charles A. Rademaker  
Attorney, Agent, or Firm—Fleit, Jacobson, Cohn & Price

[57] CLAIM

The ornamental design for a rowing machine, as shown and described.

DESCRIPTION

FIG. 1 is a front perspective view of a rowing machine showing my new design;  
FIG. 2 is a side elevational view thereof;  
FIG. 3 is a front elevational view thereof;  
FIG. 4 is a top plan view thereof;  
FIG. 5 is a rear elevational view thereof; and,  
FIG. 6 is a bottom plan view thereof.



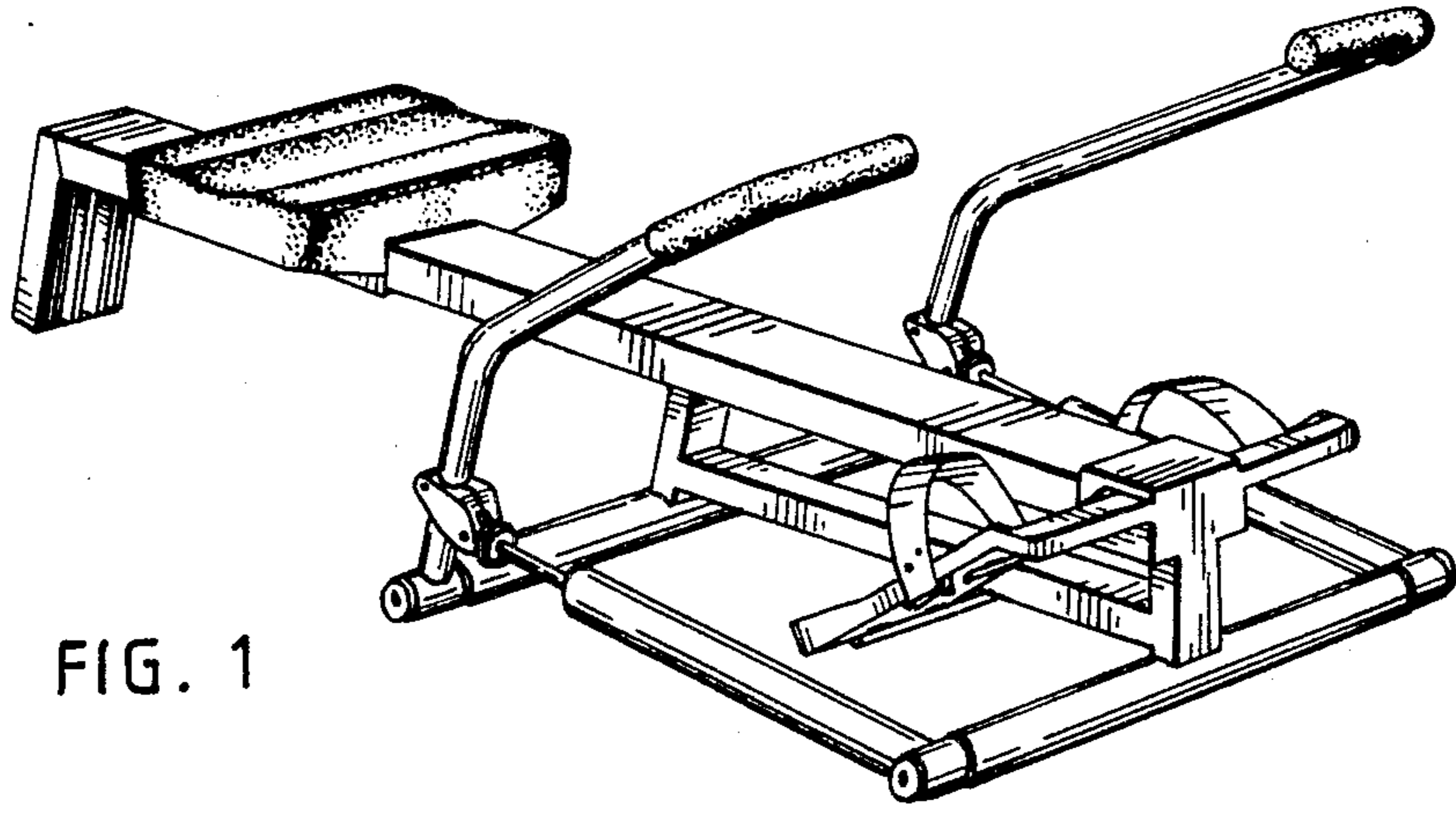


FIG. 1

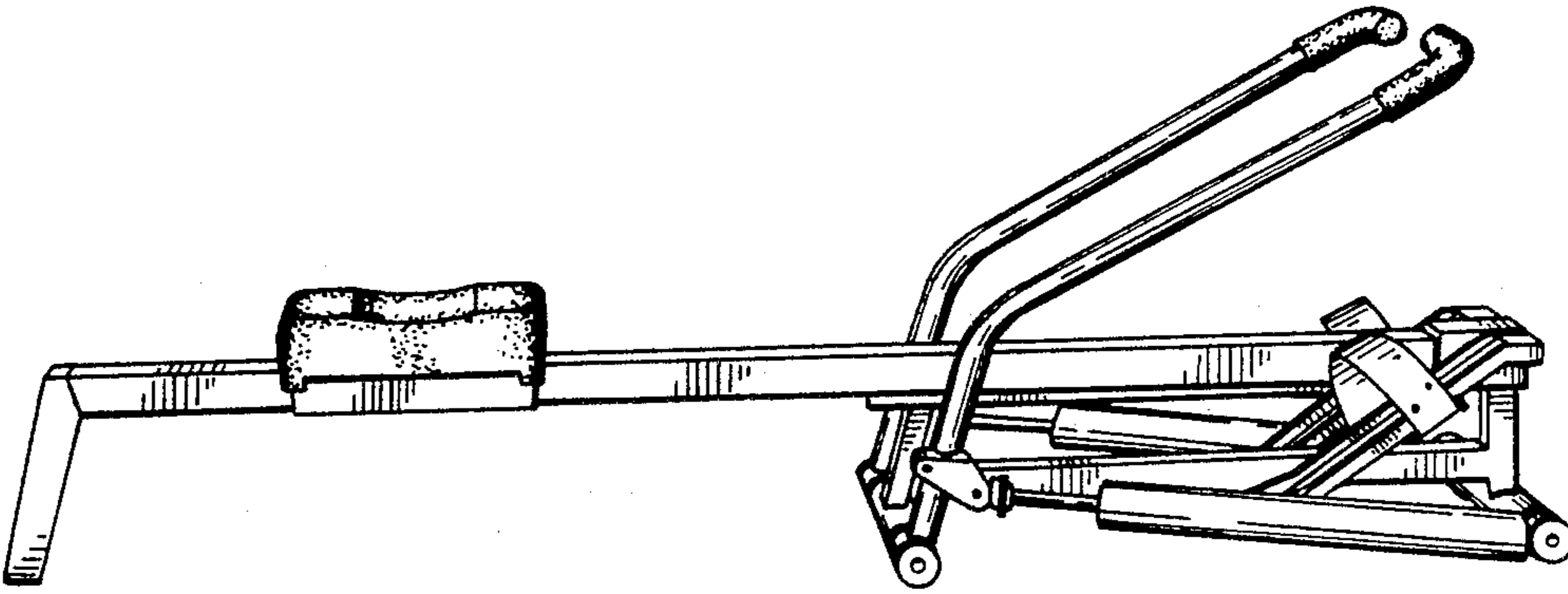


FIG. 2

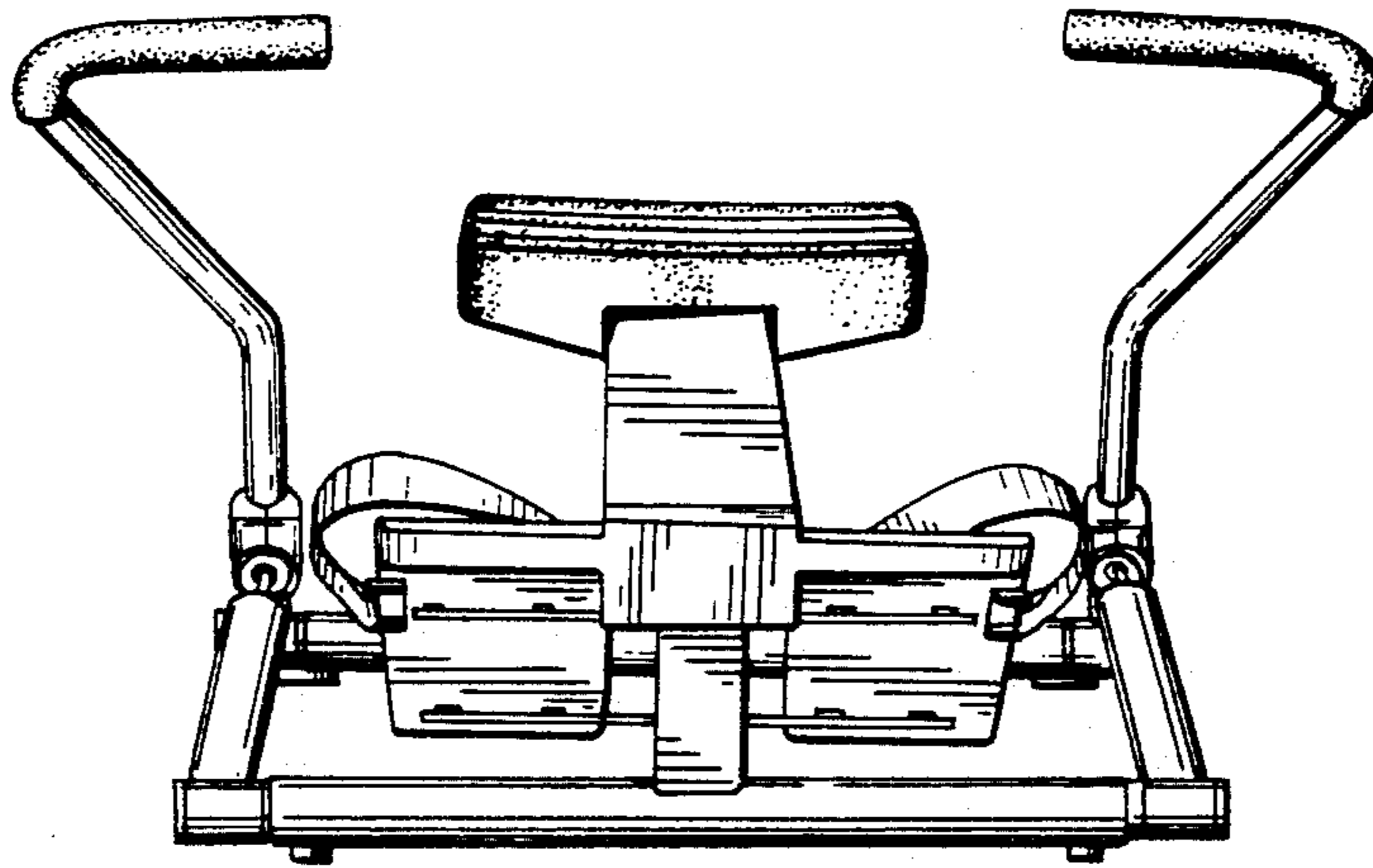


FIG. 3

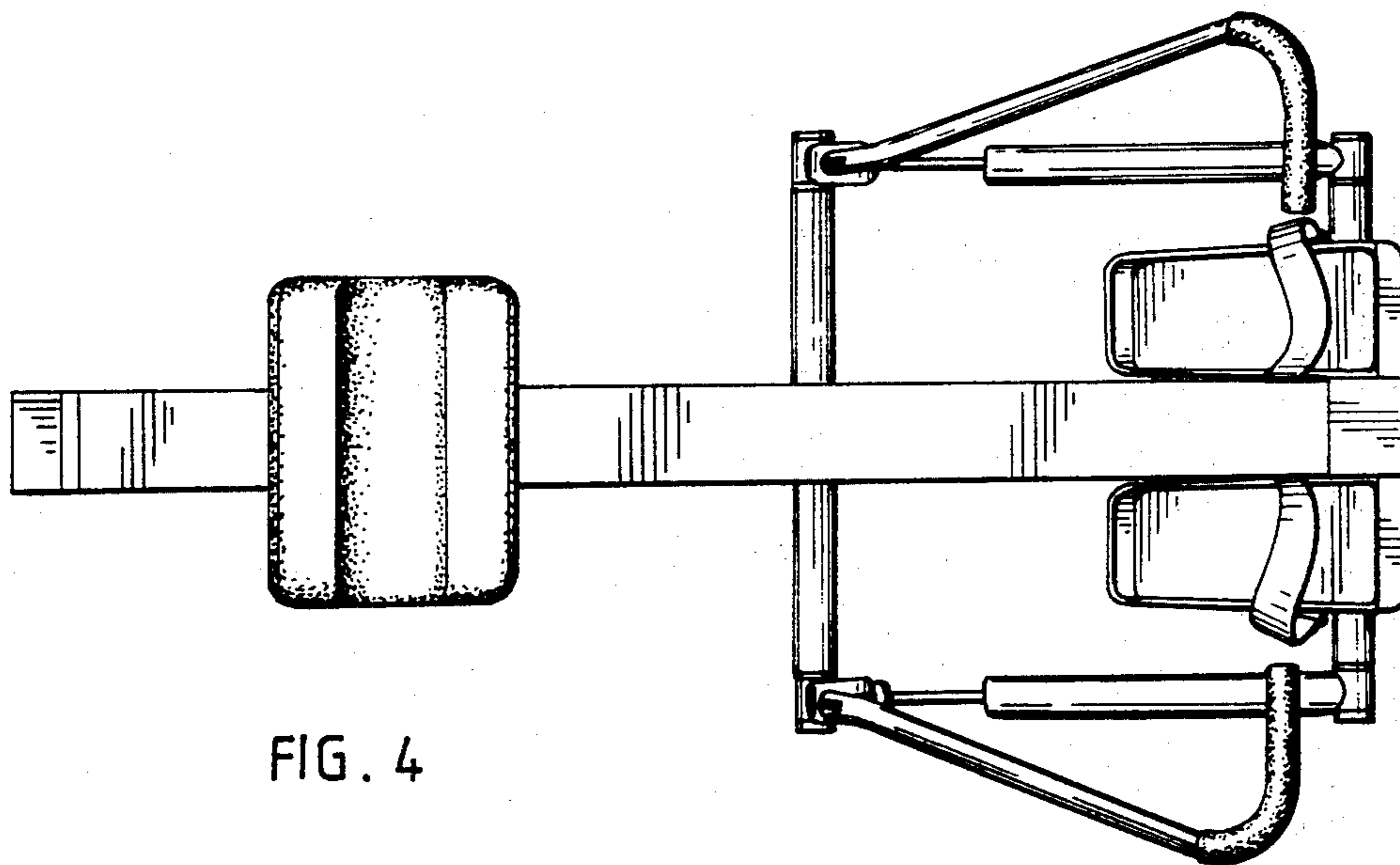


FIG. 4

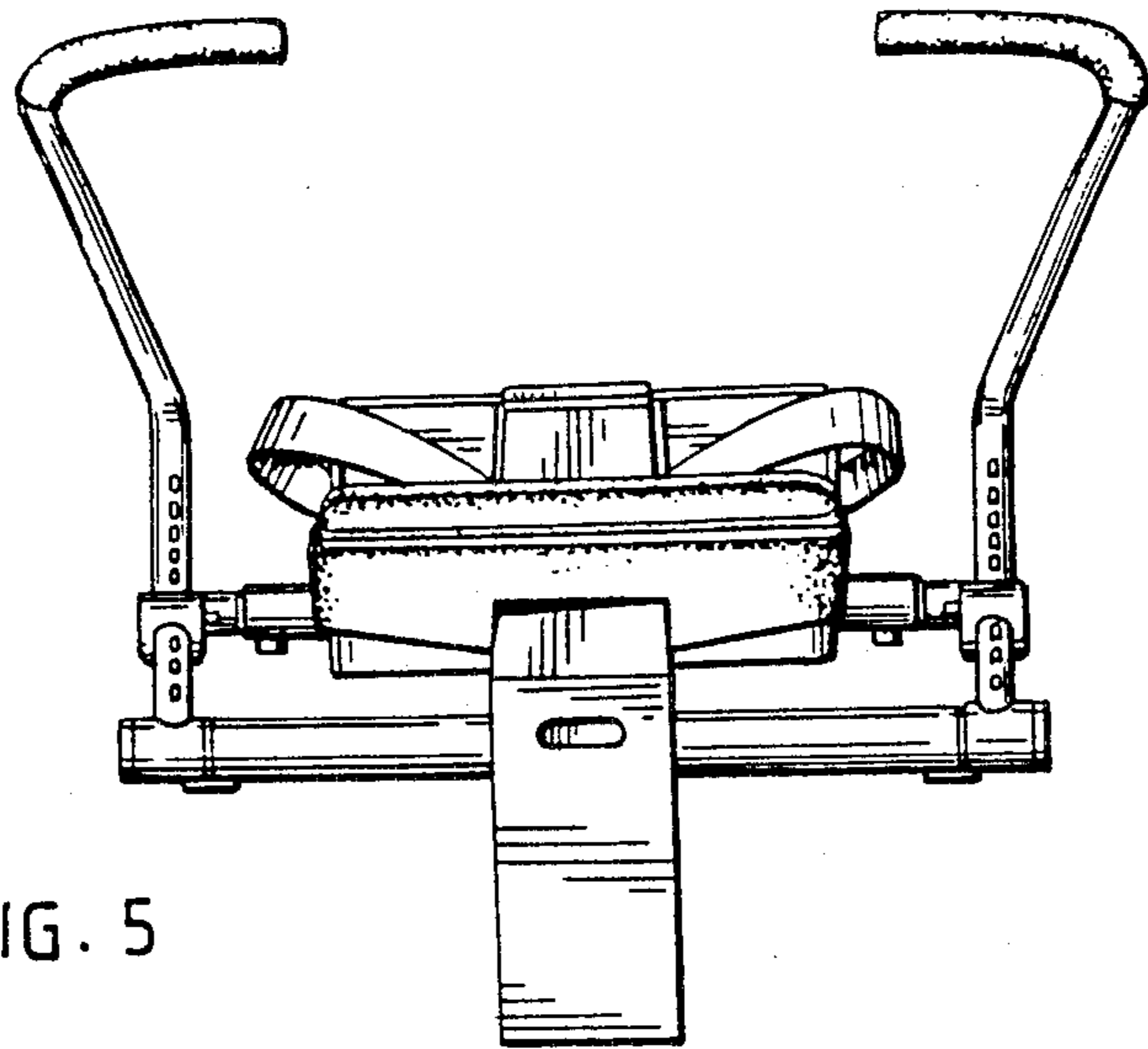


FIG. 5

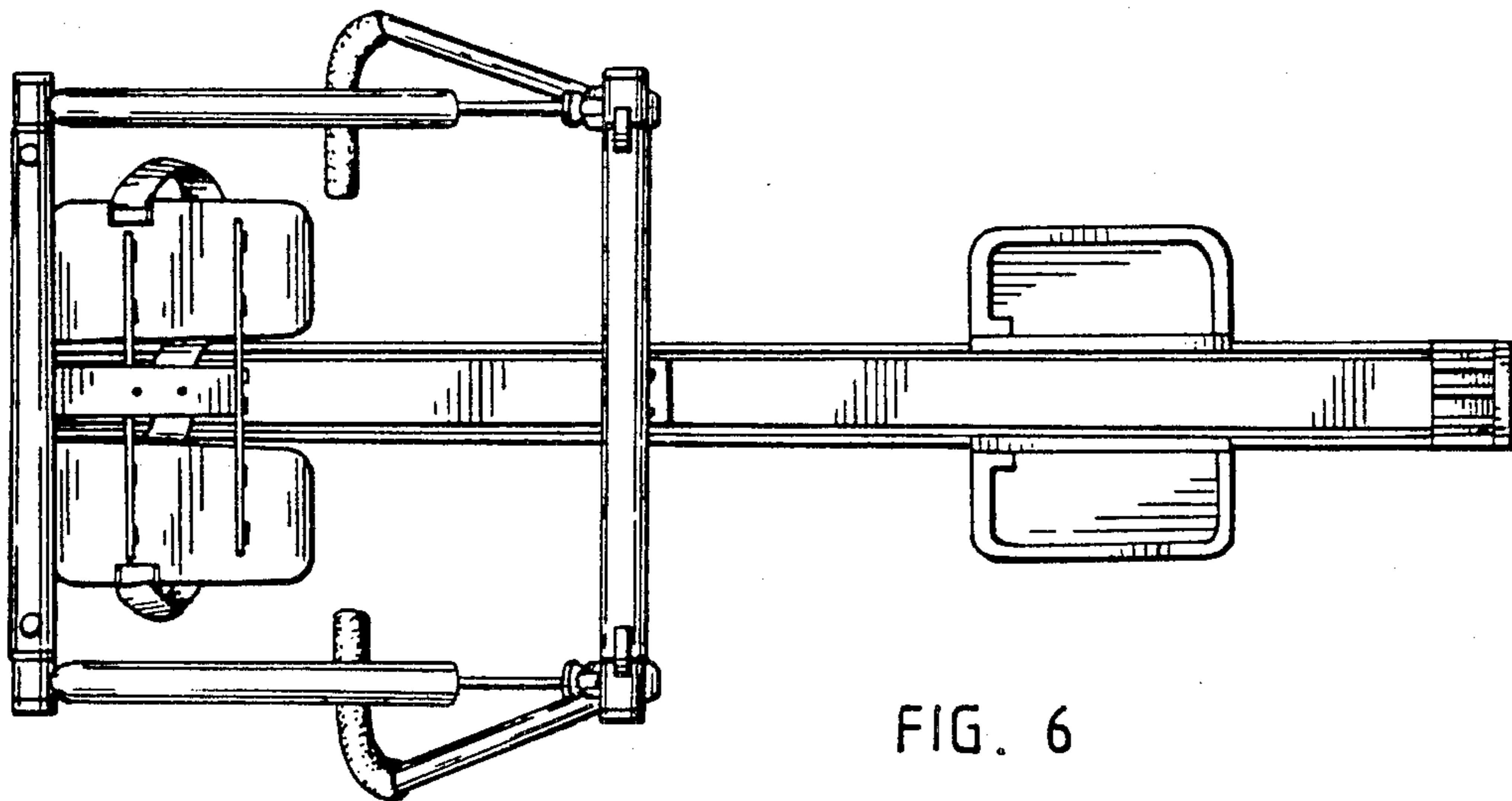


FIG. 6