

[54] RECONFIGURABLE TOY CONSTRUCTION VEHICLE

[75] Inventor: Kouzin Ohno, Tokyo, Japan  
[73] Assignee: Takara Co., Ltd., Tokyo, Japan  
[\*\*] Term: 14 Years  
[21] Appl. No.: 647,229  
[22] Filed: Sep. 4, 1984

[30] Foreign Application Priority Data

Mar. 28, 1984 [JP] Japan ..... 59-12032

[52] U.S. Cl. .... D21/132; D21/150; D21/166

[58] Field of Search ..... D21/128, 129, 131, 132, D21/134, 166, 150; 446/71, 72, 76, 77, 94, 97, 383, 381, 487

[56] References Cited

U.S. PATENT DOCUMENTS

D. 190,591	6/1961	Alvaney .....	D21/132
D. 250,672	12/1978	Ogawa .....	D21/132
D. 264,106	4/1982	Orenstein .....	D21/132
D. 275,122	8/1984	Murakami .....	D21/150
D. 279,307	6/1985	Murakami .....	D21/136

Primary Examiner—Charles A. Rademaker  
Attorney, Agent, or Firm—Price, Gess & Ubell

[57] CLAIM

The ornamental design for a reconfigurable toy construction vehicle, substantially as shown and described.

DESCRIPTION

FIG. 1 is a side perspective view of a reconfigurable toy construction vehicle showing my new design; FIG. 2 is a front elevational view thereof; FIG. 3 is a rear elevational view thereof; FIG. 4 is a top plan view thereof; FIG. 5 is a bottom plan view thereof; FIG. 6 is a side elevational view thereof, the side opposite being a mirror image; FIG. 7 is another side perspective view of the design shown in FIGS. 1 through 6 in a humanoid robot reconfiguration; FIG. 8 is a front elevational view thereof; FIG. 9 is a rear elevational view thereof; FIG. 10 is a top plan view thereof; FIG. 11 is a bottom plan view thereof; and, FIG. 12 is a side elevational view thereof, the side opposite being a mirror image.

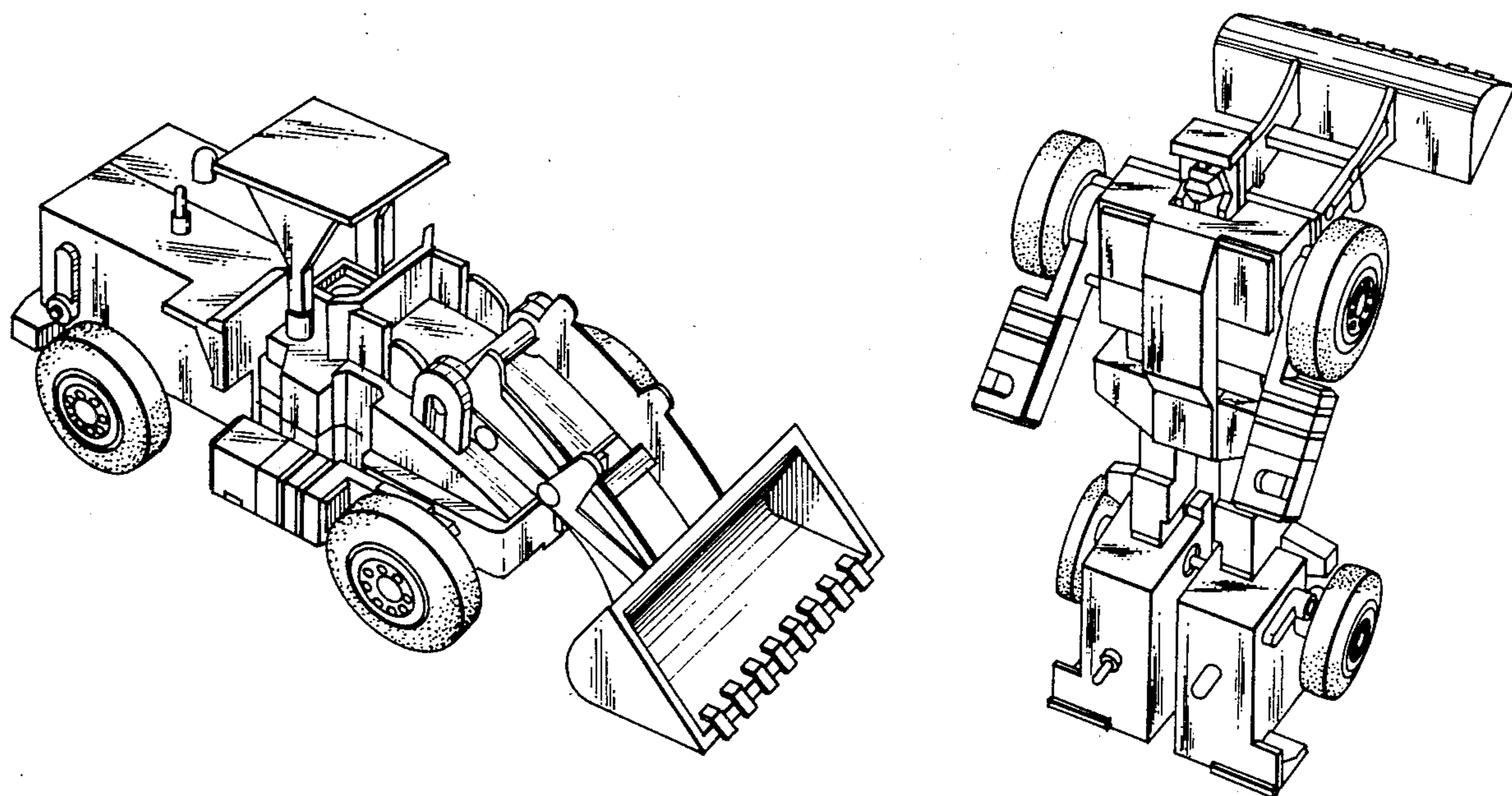


FIG. 1

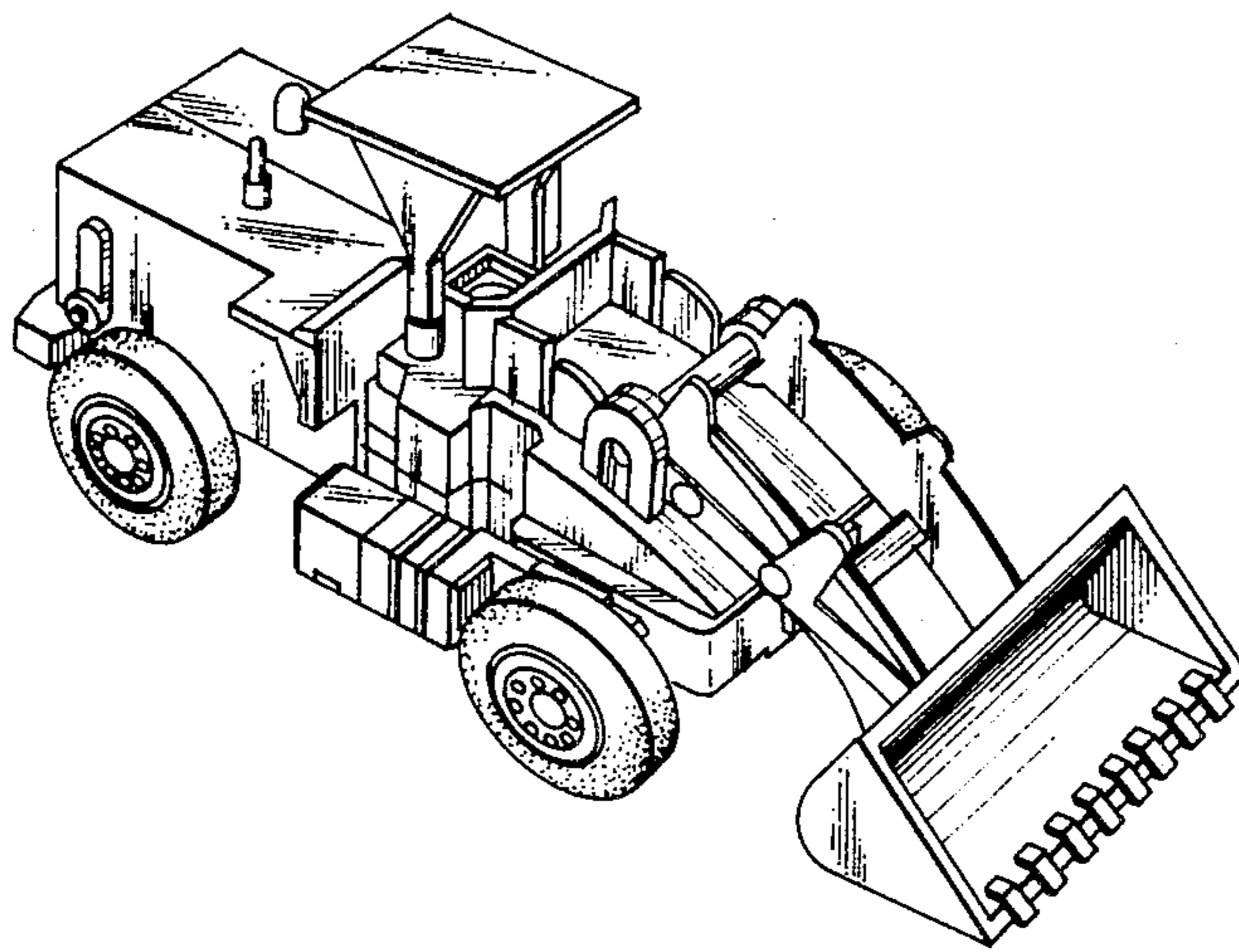


FIG. 2

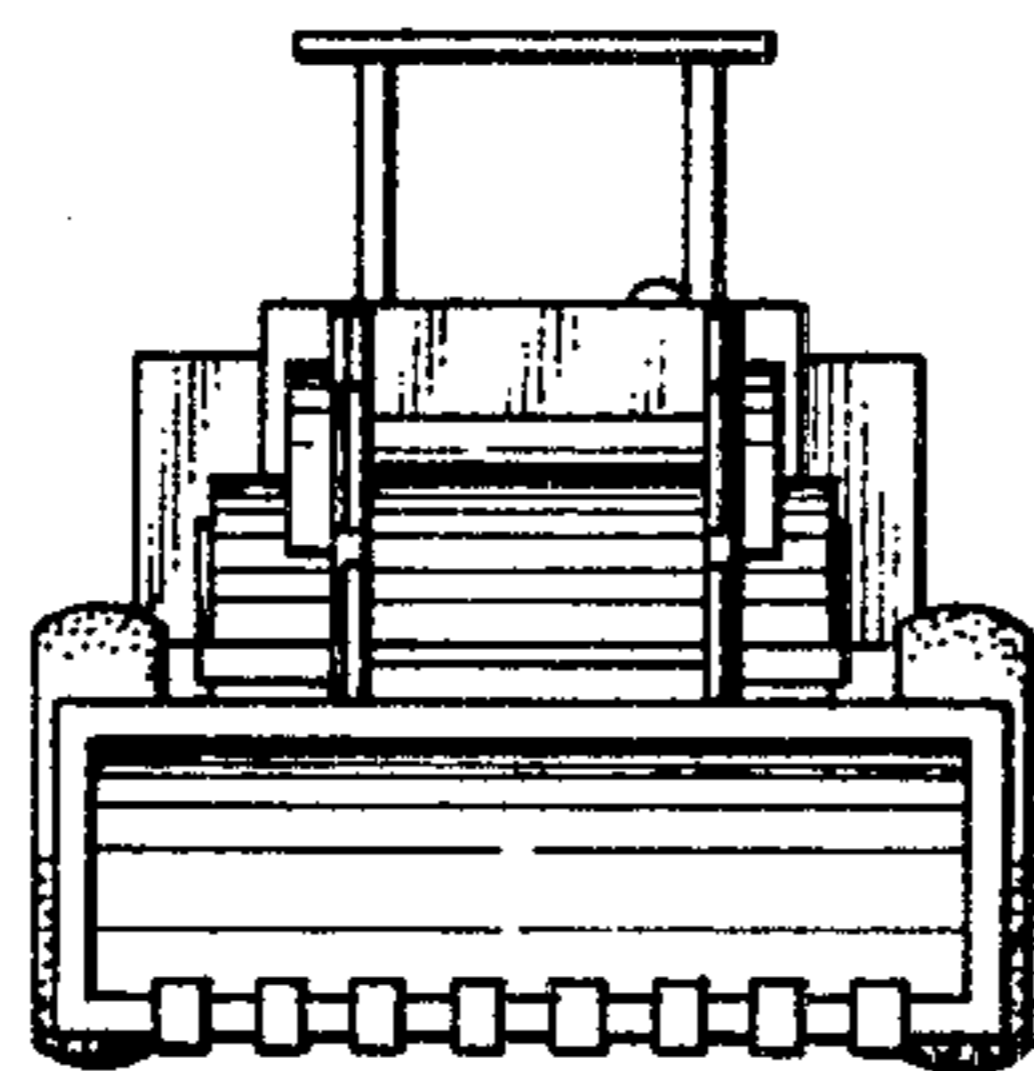


FIG. 3

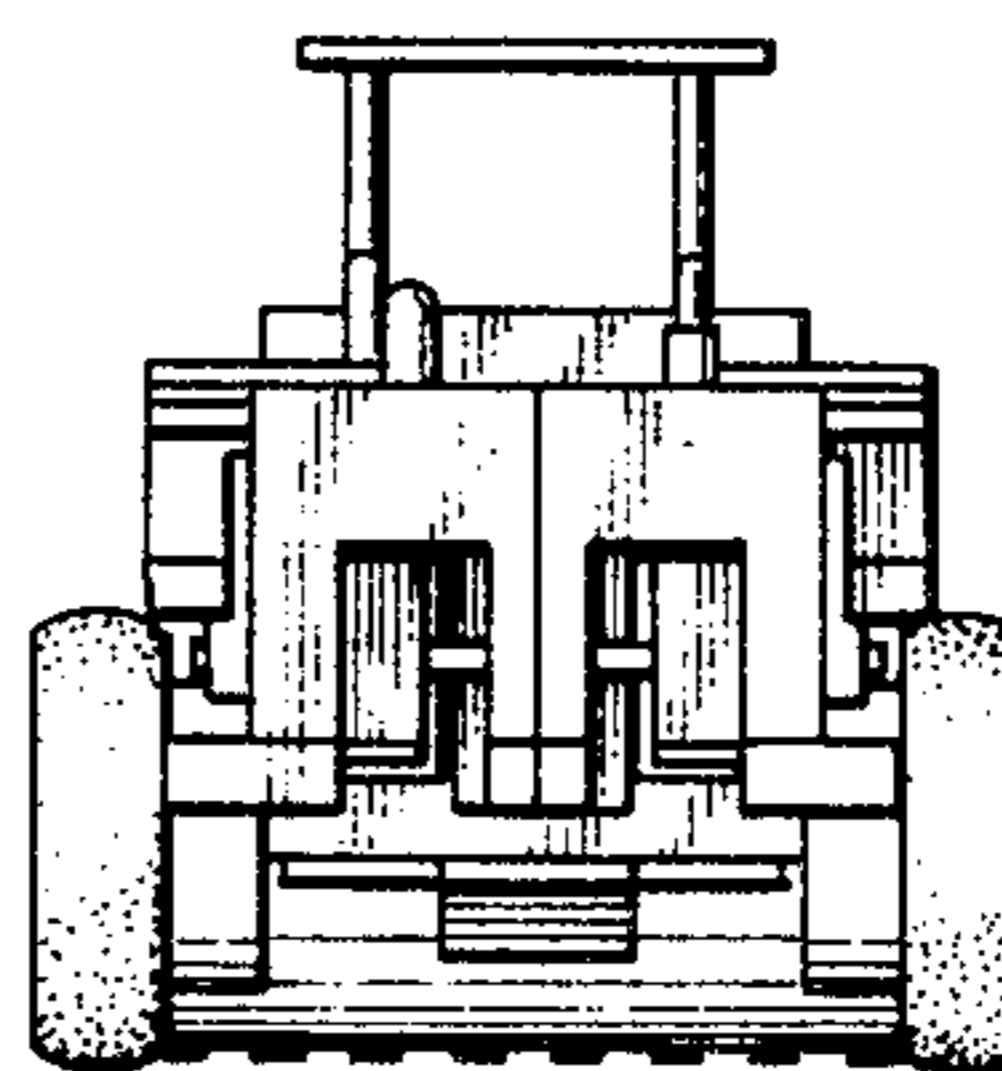


FIG. 4

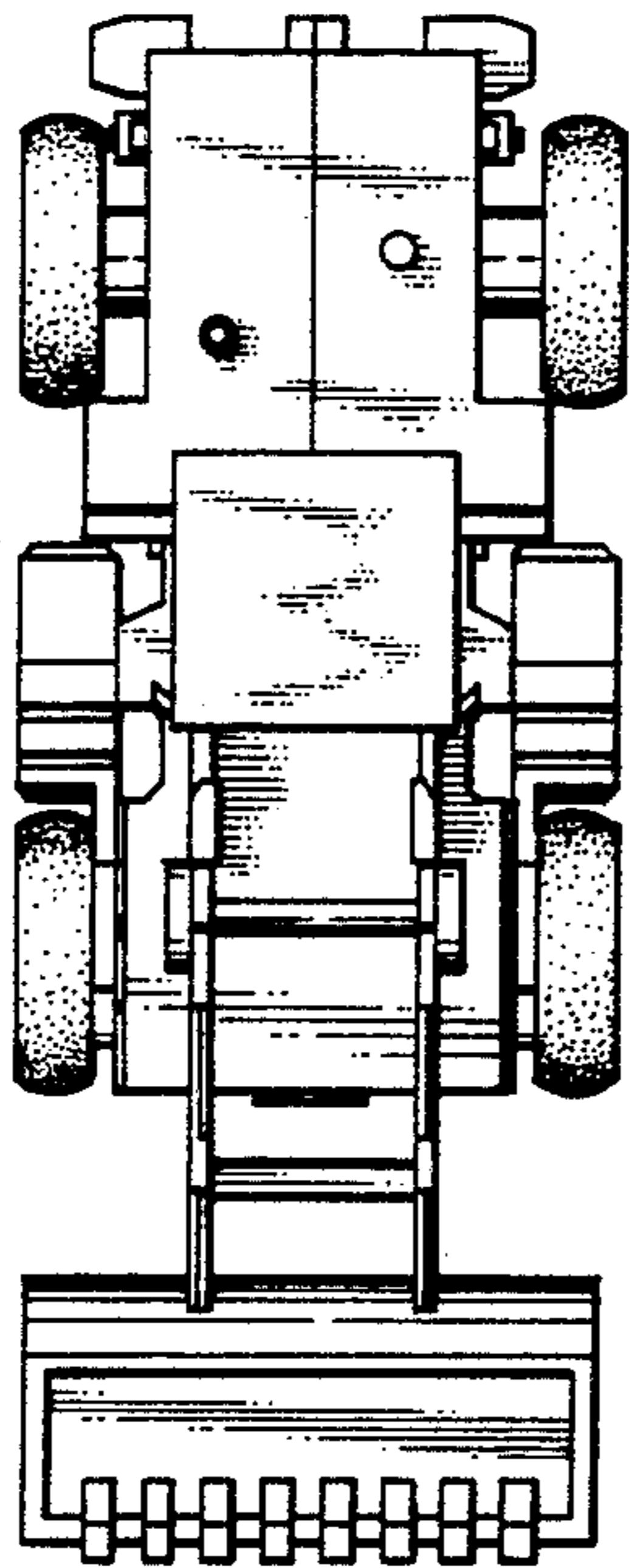


FIG. 5

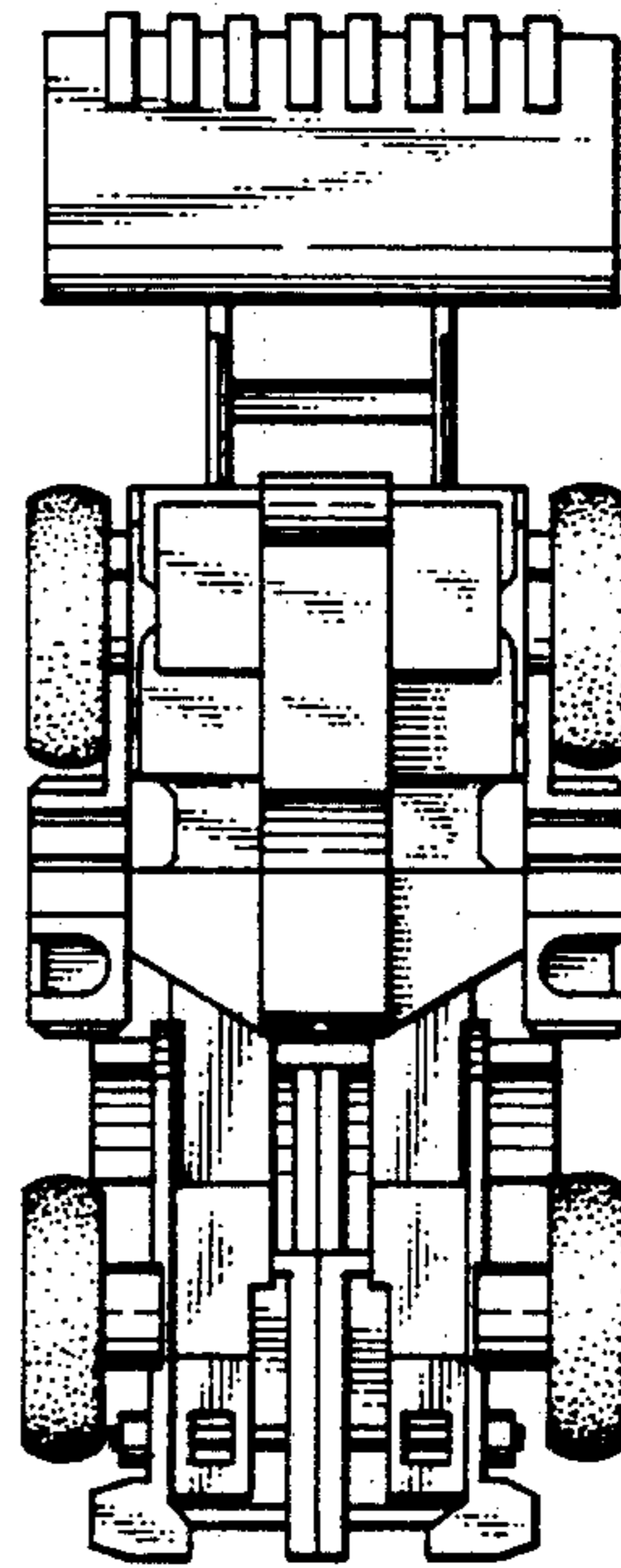
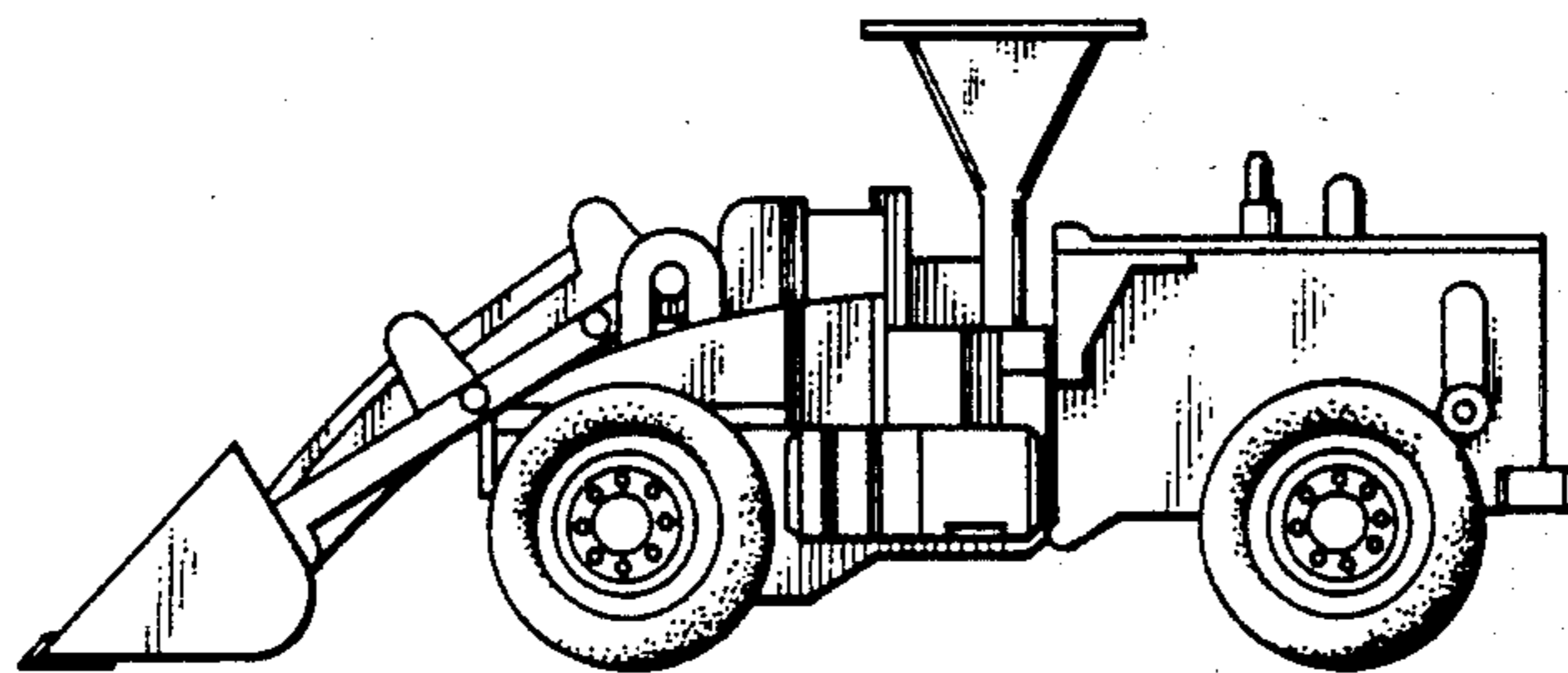
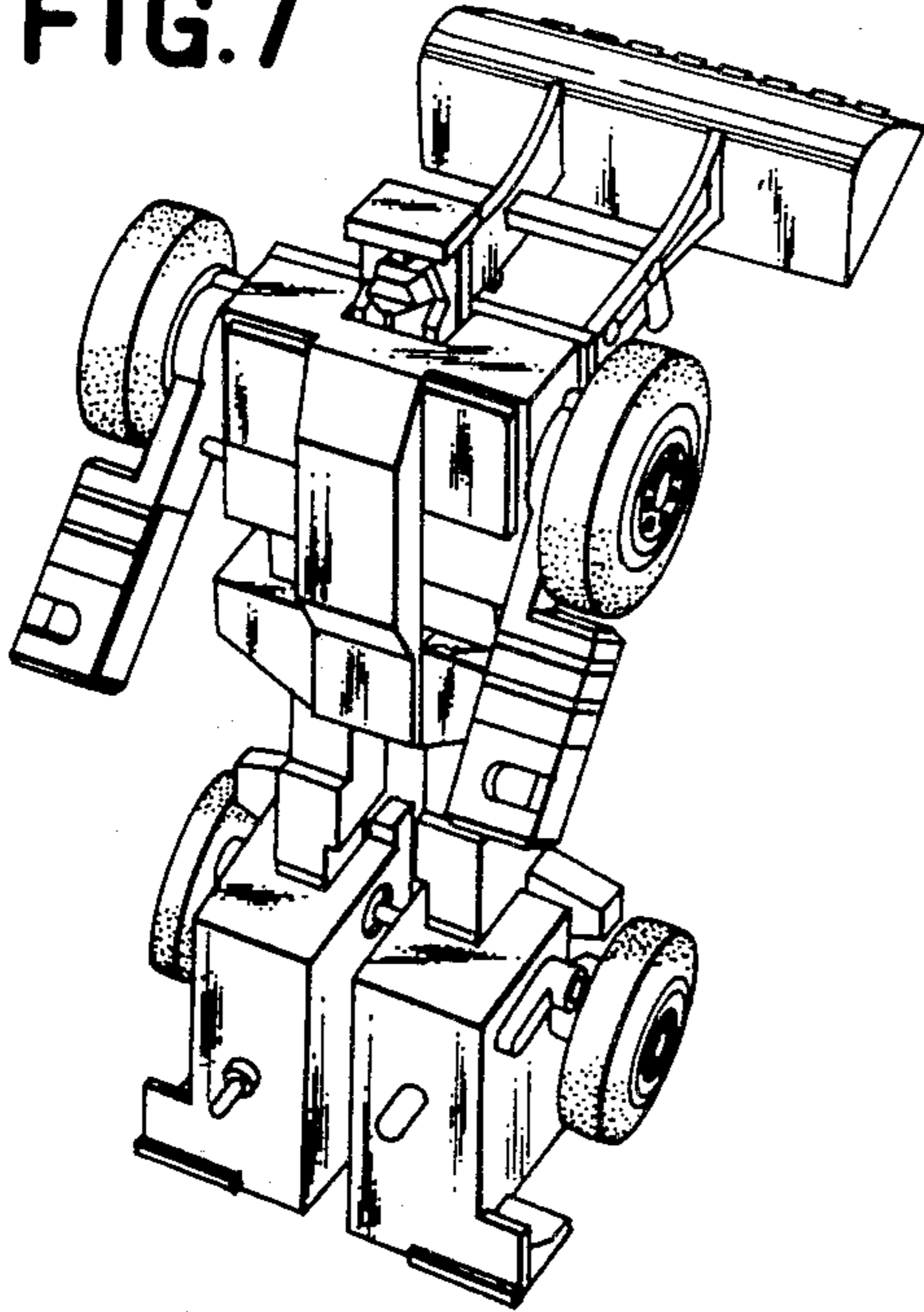


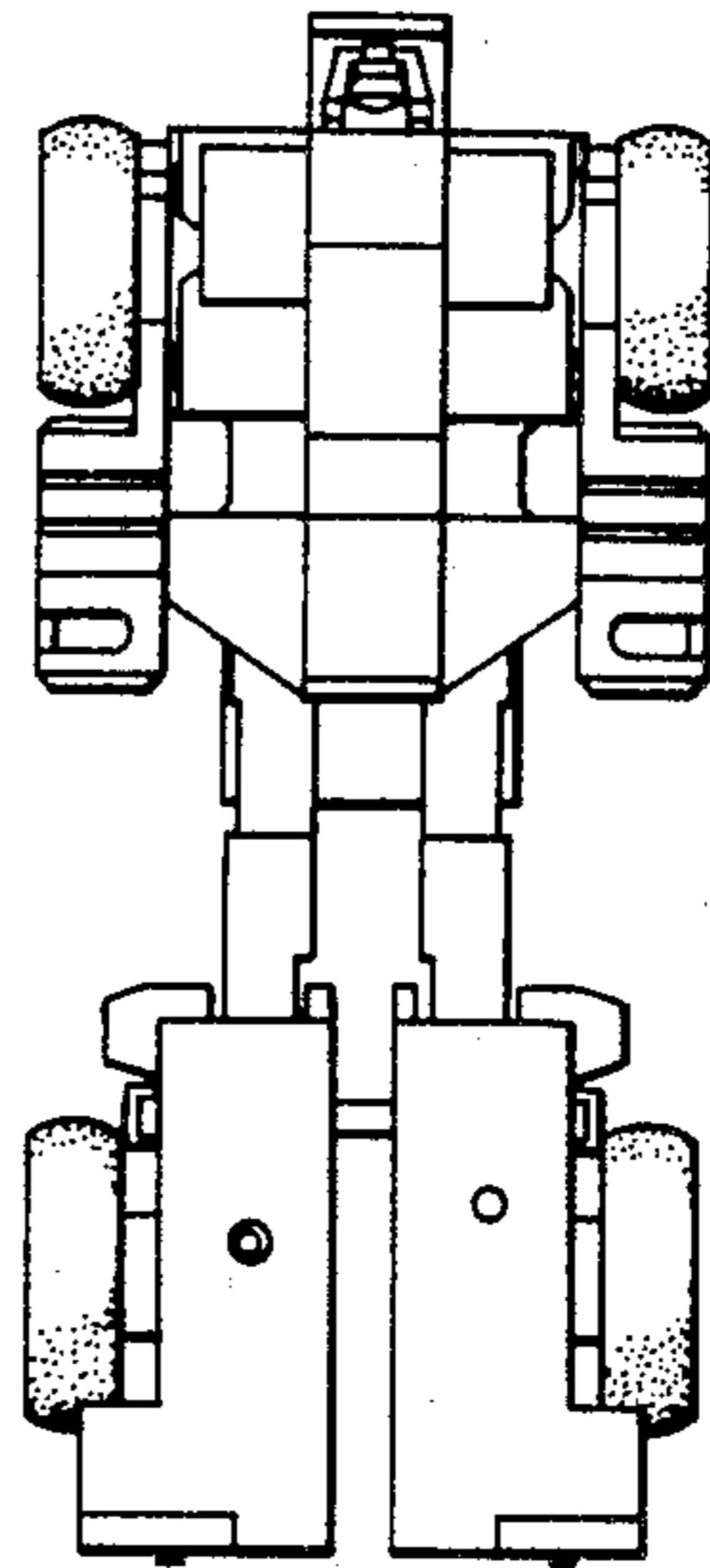
FIG. 6



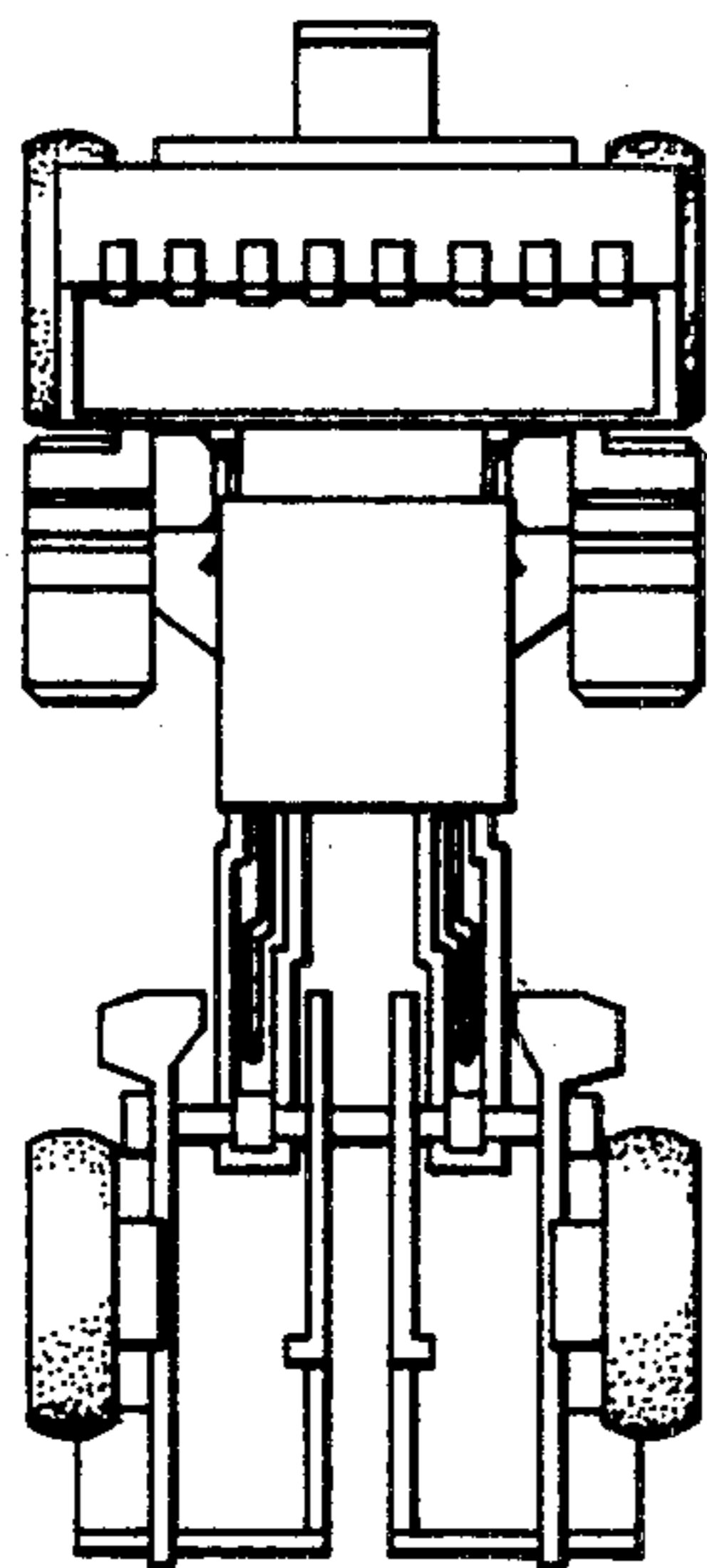
**FIG.7**



**FIG.8**



**FIG.9**



**FIG.10**

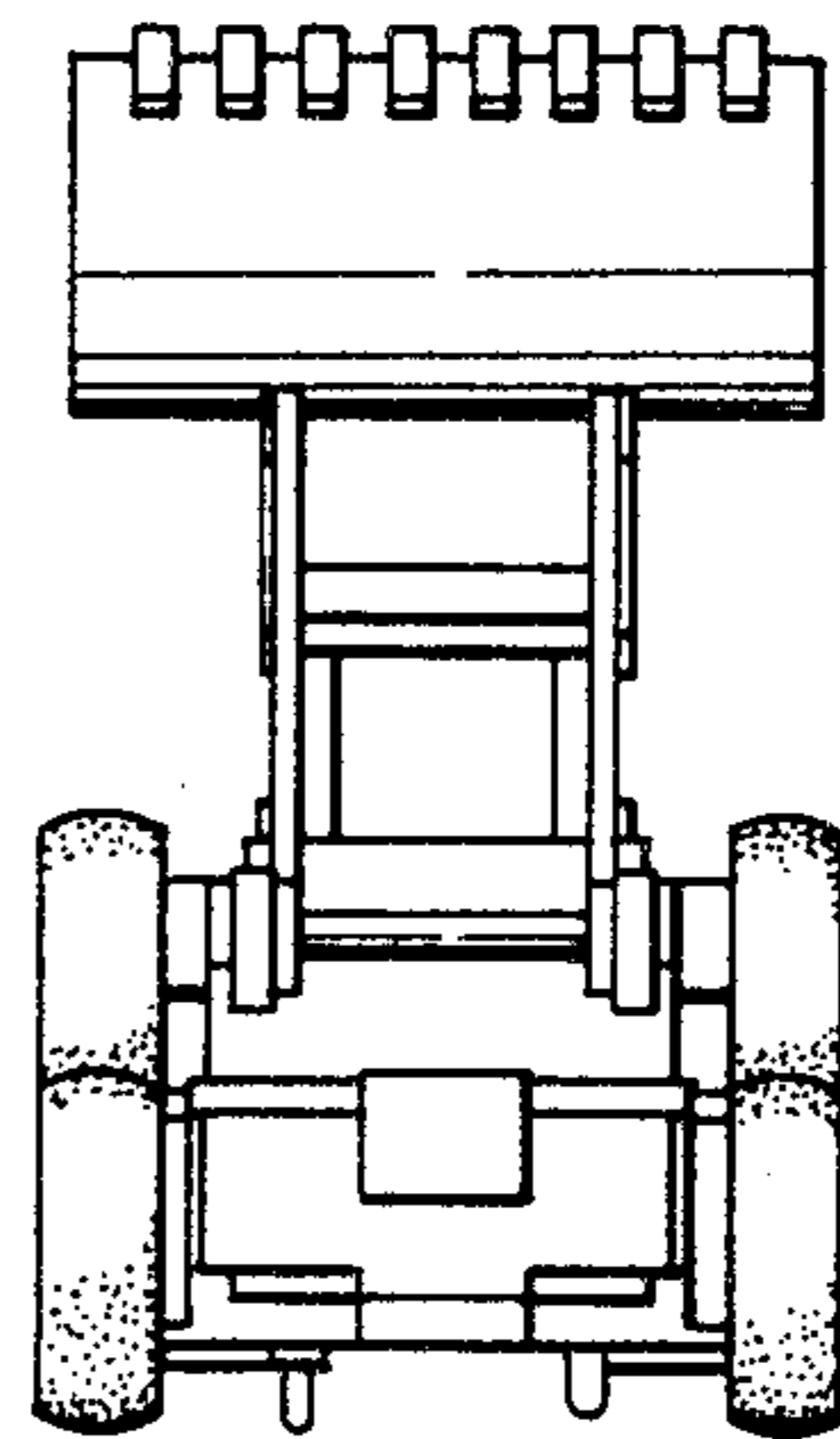


FIG. 11

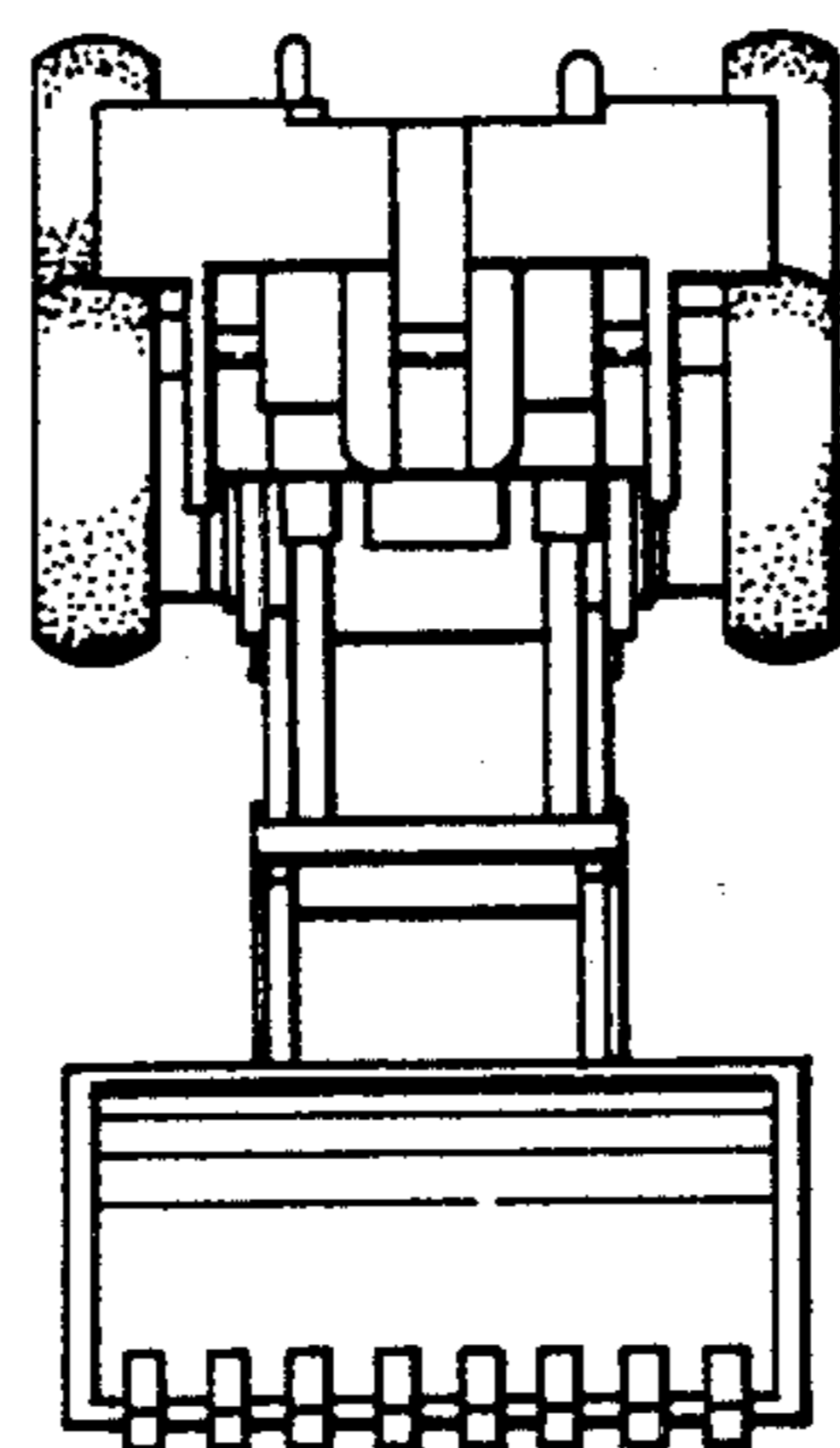


FIG. 12

