

[54] TOY VIDEOCASSETTE PLAYER

[75] Inventor: Luk C. Kwan, Hong Kong, Hong Kong

[73] Assignee: Tai Tung International, Inc., Los Angeles, Calif.

[\*\*] Term: 14 Years

[21] Appl. No.: 592,854

[22] Filed: Mar. 23, 1984

[52] U.S. Cl. .... D21/111

[58] Field of Search ..... D21/59, 109, 120, 111, D21/112, 122, 113; 446/129, 219, 397, 491

[56] References Cited

U.S. PATENT DOCUMENTS

- D. 203,938 3/1966 Mercorelli ..... D21/113
- D. 209,151 11/1967 Jones ..... D21/113
- D. 268,199 3/1983 Shimasaki ..... D21/113

OTHER PUBLICATIONS

Toys Hobbies & Crafts, 2-1980, p. 115, "Bear in the Box" near center of page.

Primary Examiner—Charles A. Rademaker  
Attorney, Agent, or Firm—Frank Frisenda, Jr.

[57] CLAIM

The ornamental design for a toy videocassette player, substantially as shown and described.

DESCRIPTION

FIG. 1 is a front perspective view of a toy videocassette player showing my new design with the cover member shown in a distended position;  
 FIG. 2 is a front elevational view thereof;  
 FIG. 3 is a left side elevational view thereof, the side opposite being a mirror image;  
 FIG. 4 is a rear elevational view thereof; and  
 FIG. 5 is a bottom plan view thereof.

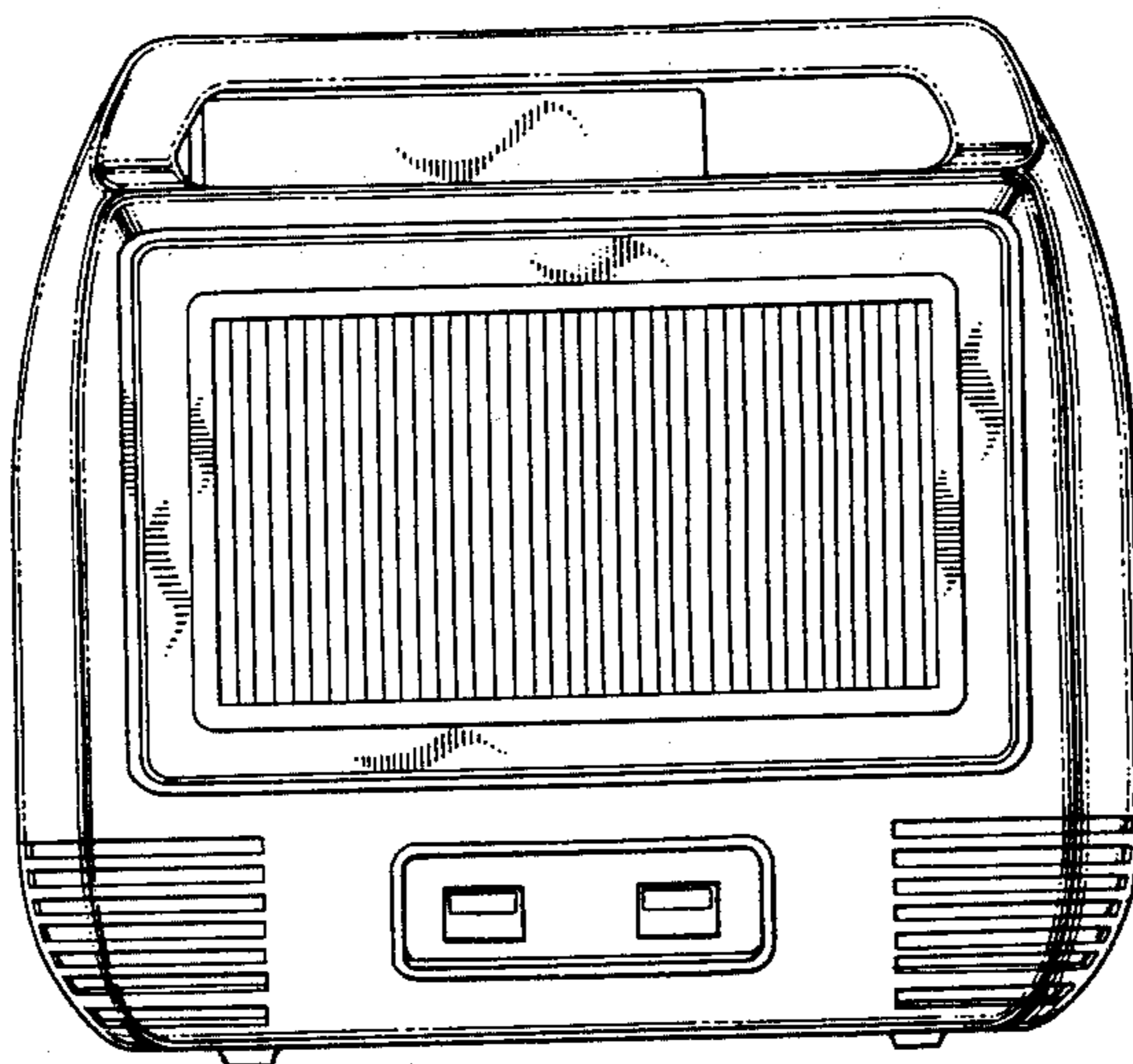


FIG. 1.

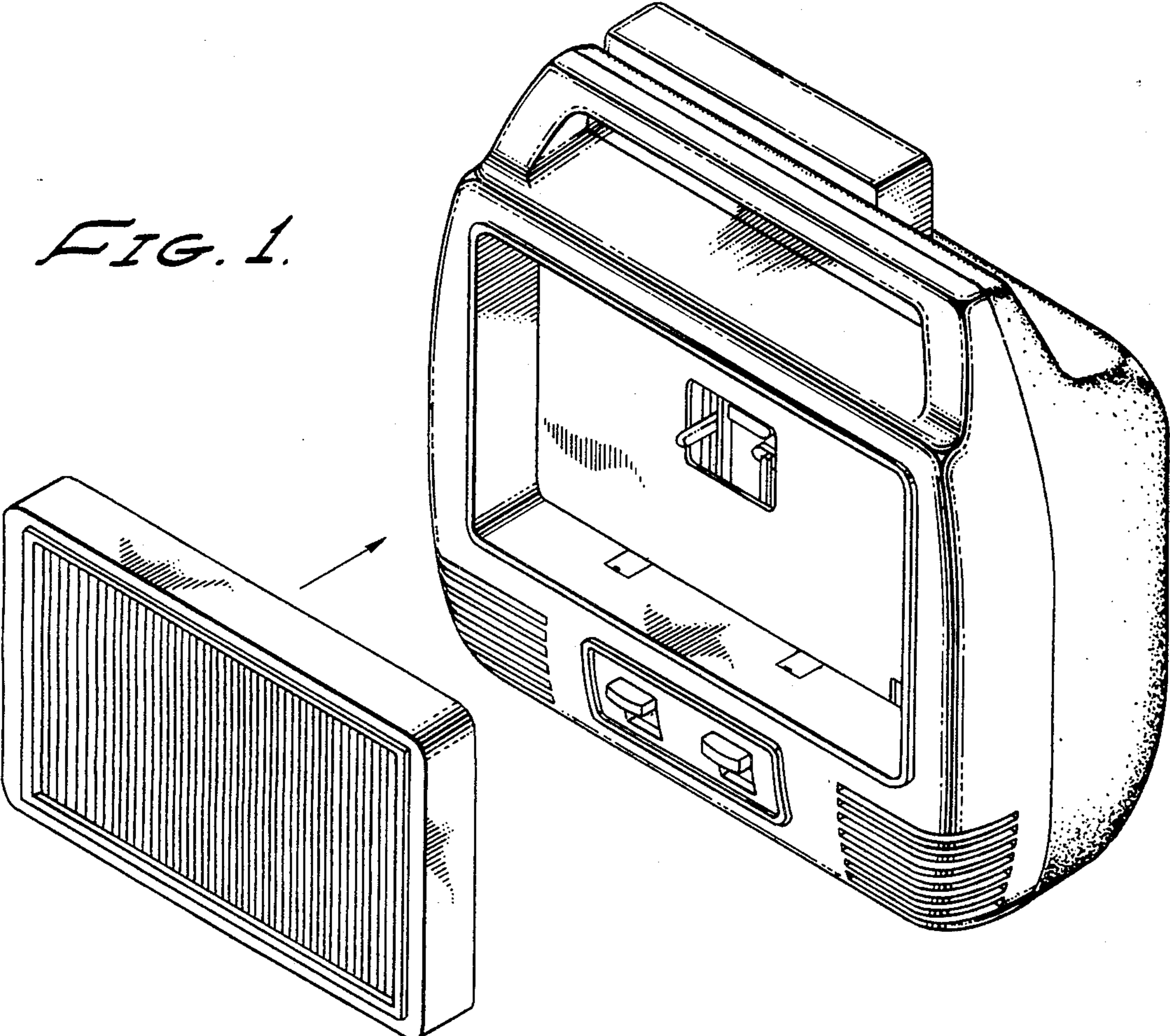
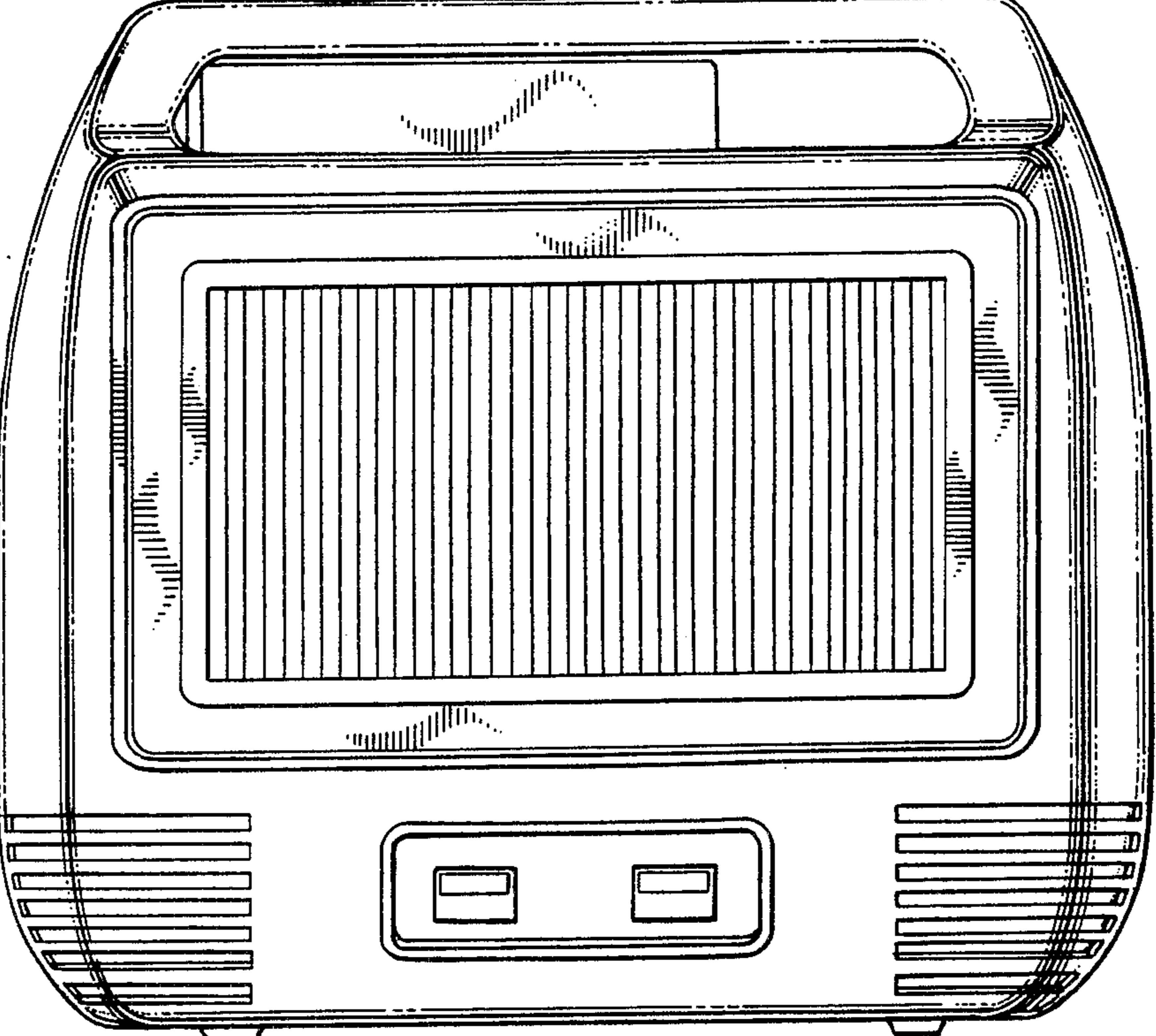


FIG. 2.



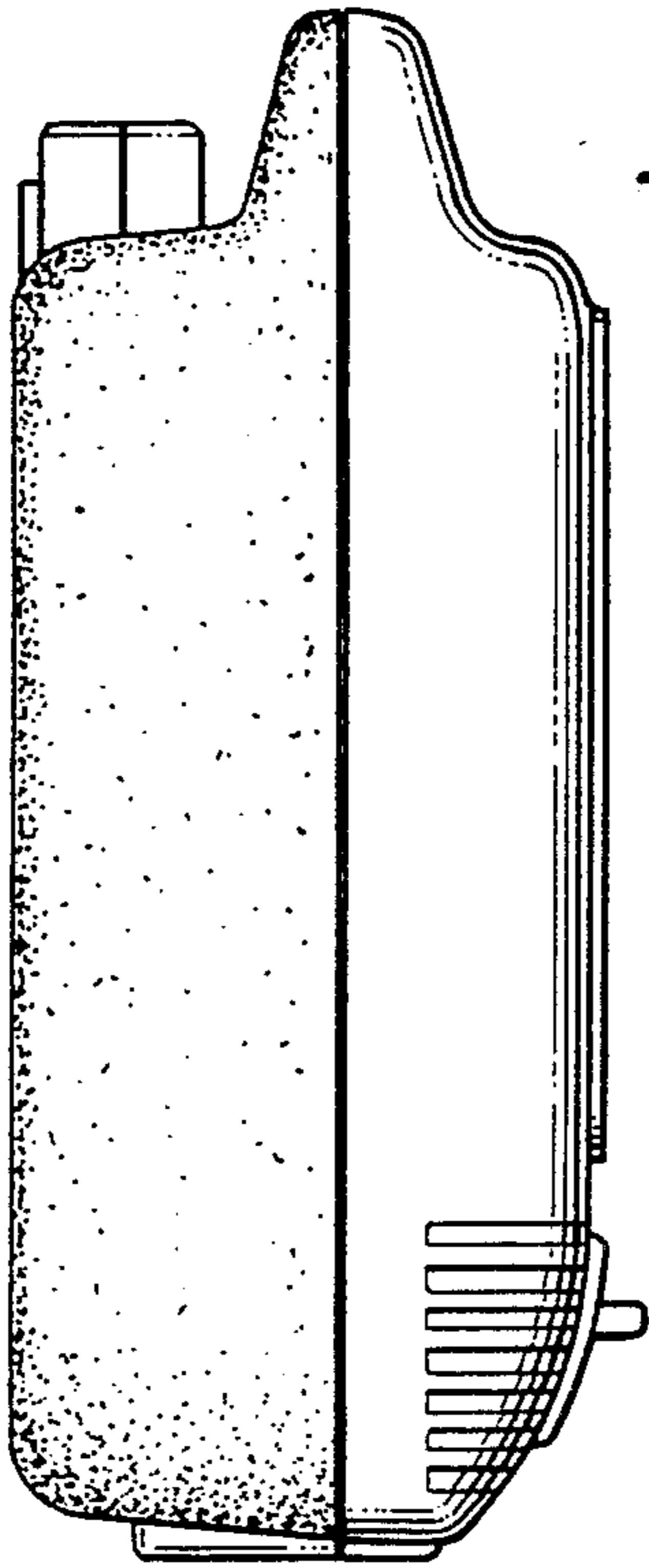


FIG. 3.

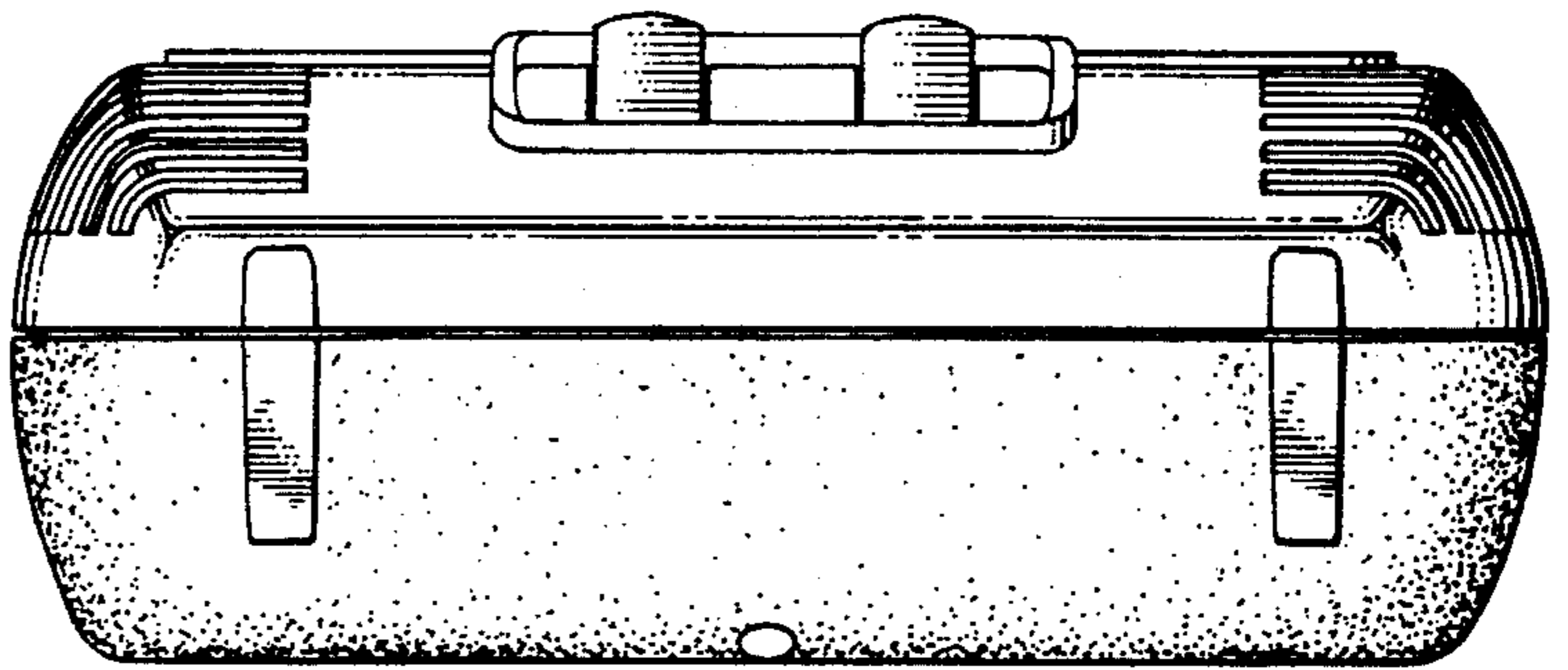


FIG. 5.

FIG. 4.

