

United States Patent [19]

Rodis-Jamero et al.

[11] Patent Number: **Des. 288,945**

[45] Date of Patent: **** Mar. 24, 1987**

[54] **TOY SPACESHIP**

[76] Inventors: **Nilo Rodis-Jamero**, 12 Blossom, San Rafael, Calif. 94901; **David Carson**, 901 West St., Petaluma, Calif. 94952

[**] Term: **14 Years**

[21] Appl. No.: **676,468**

[22] Filed: **Nov. 29, 1984**

[52] U.S. Cl. **D21/87**

[58] Field of Search **D21/86, 97, 92, 124, D21/128; D12/325, 319; 446/46, 47, 48, 230, 231; 273/424**

[56] **References Cited**

U.S. PATENT DOCUMENTS

D. 190,572 6/1961 McDaniel **D21/86**

D. 259,889 7/1981 Probert **D21/87**
D. 260,789 9/1981 Probert **D21/87**
D. 263,856 4/1982 Probert **D21/87**
D. 272,839 2/1984 Jennings **D21/87**

Primary Examiner—Charles A. Rademaker

[57] **CLAIM**

The ornamental design for a toy spaceship, substantially as shown and described.

DESCRIPTION

FIG. 1 is a top plan view of a toy spaceship showing our new design;
FIG. 2 is a side elevational view thereof, the side opposite being substantially a mirror image thereof; and
FIG. 3 is a front elevational view thereof;
FIG. 4 is a rear elevational view thereof; and
FIG. 5 is a bottom plan view thereof.

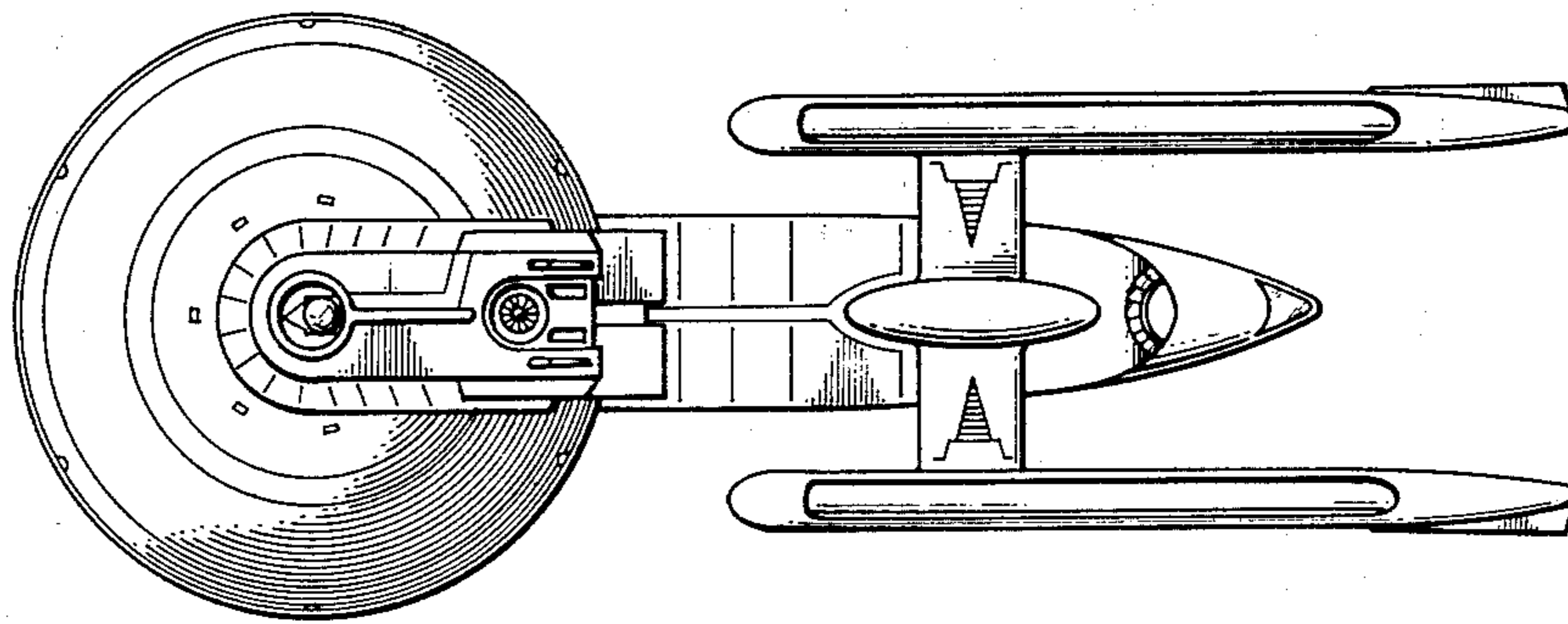


Fig. 1.

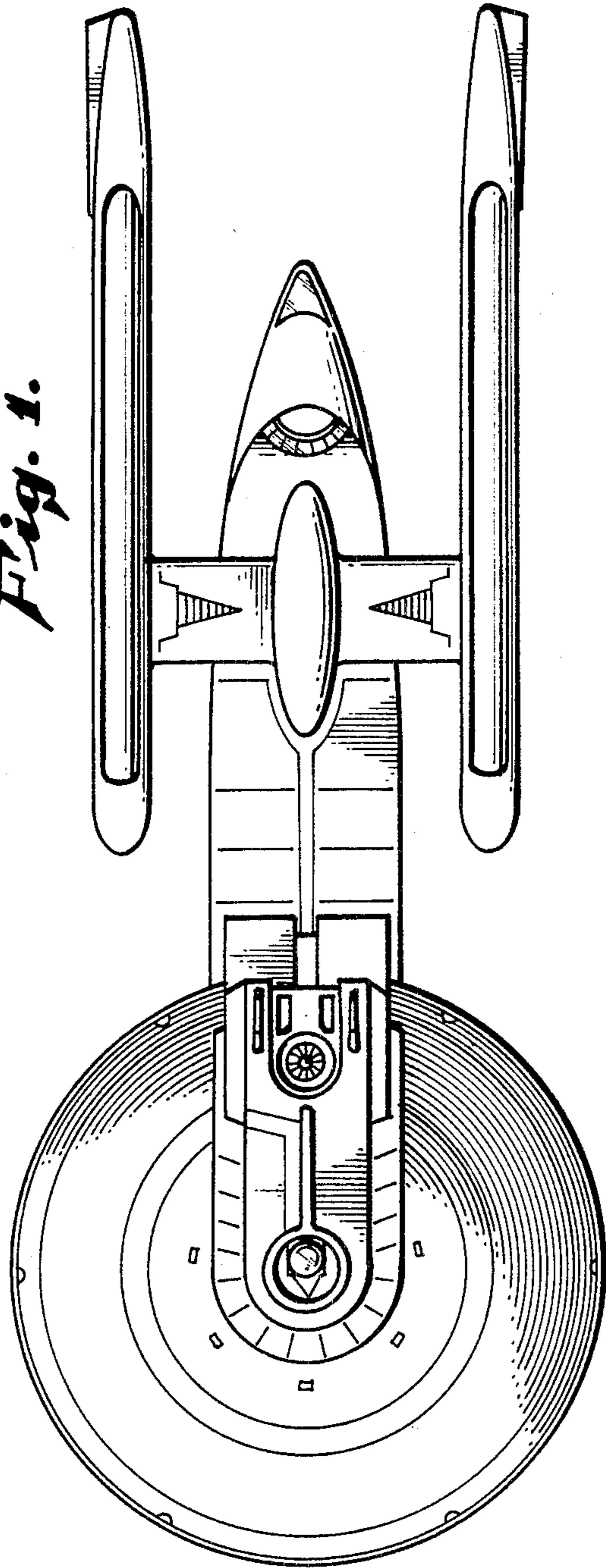


Fig. 2.

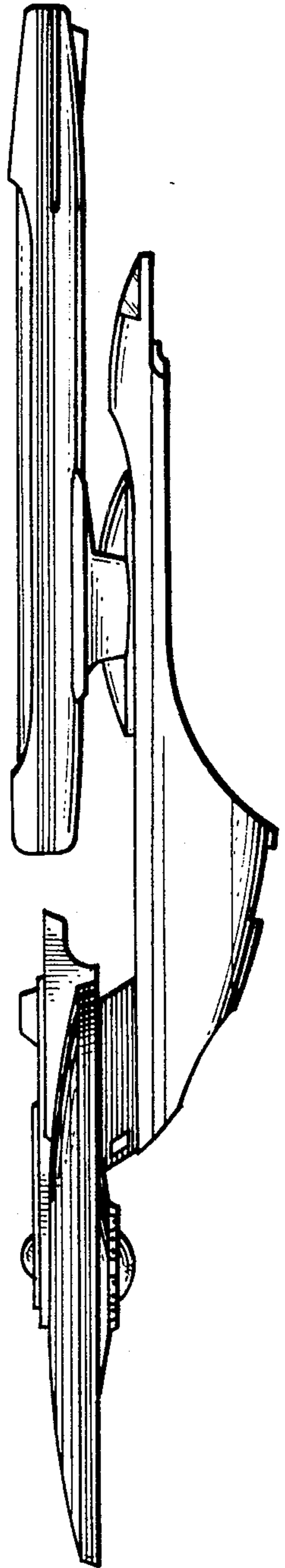


Fig. 4.

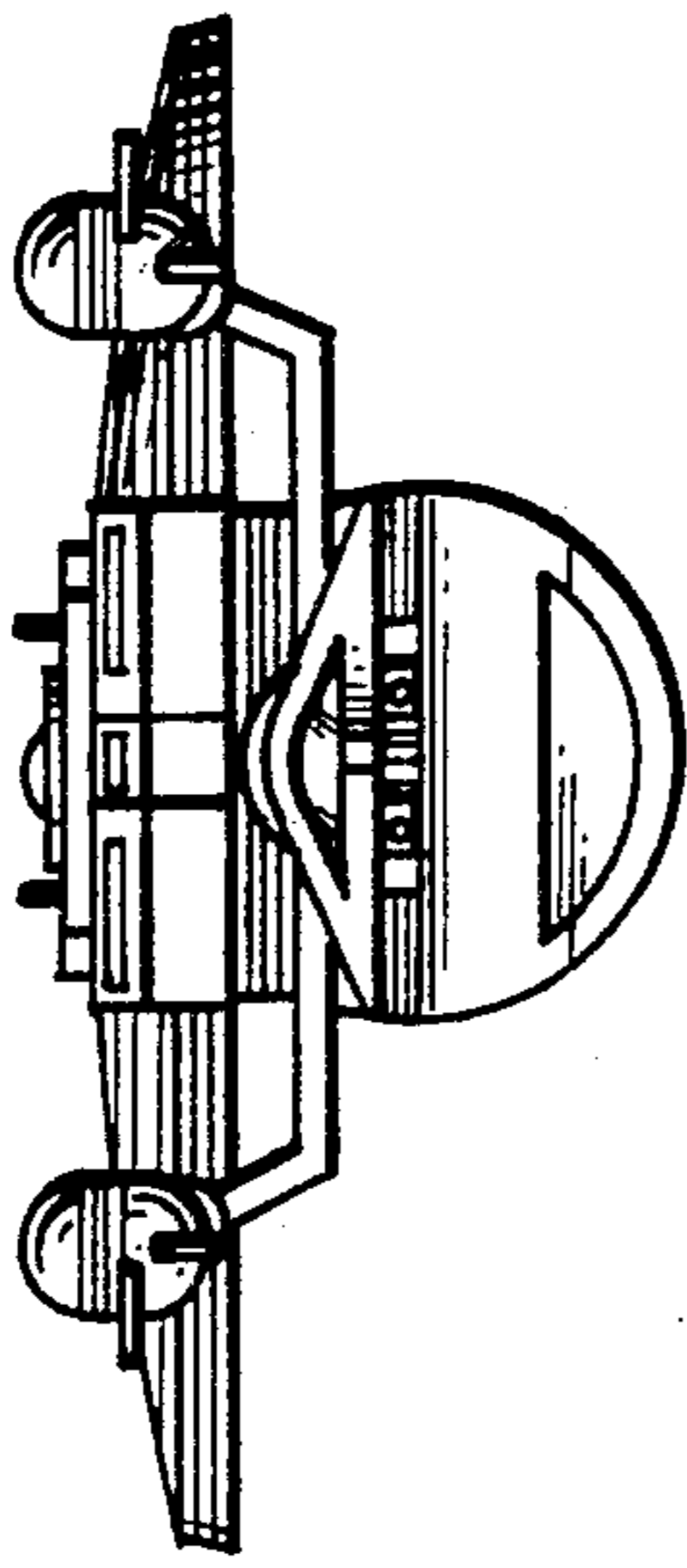


Fig. 3.

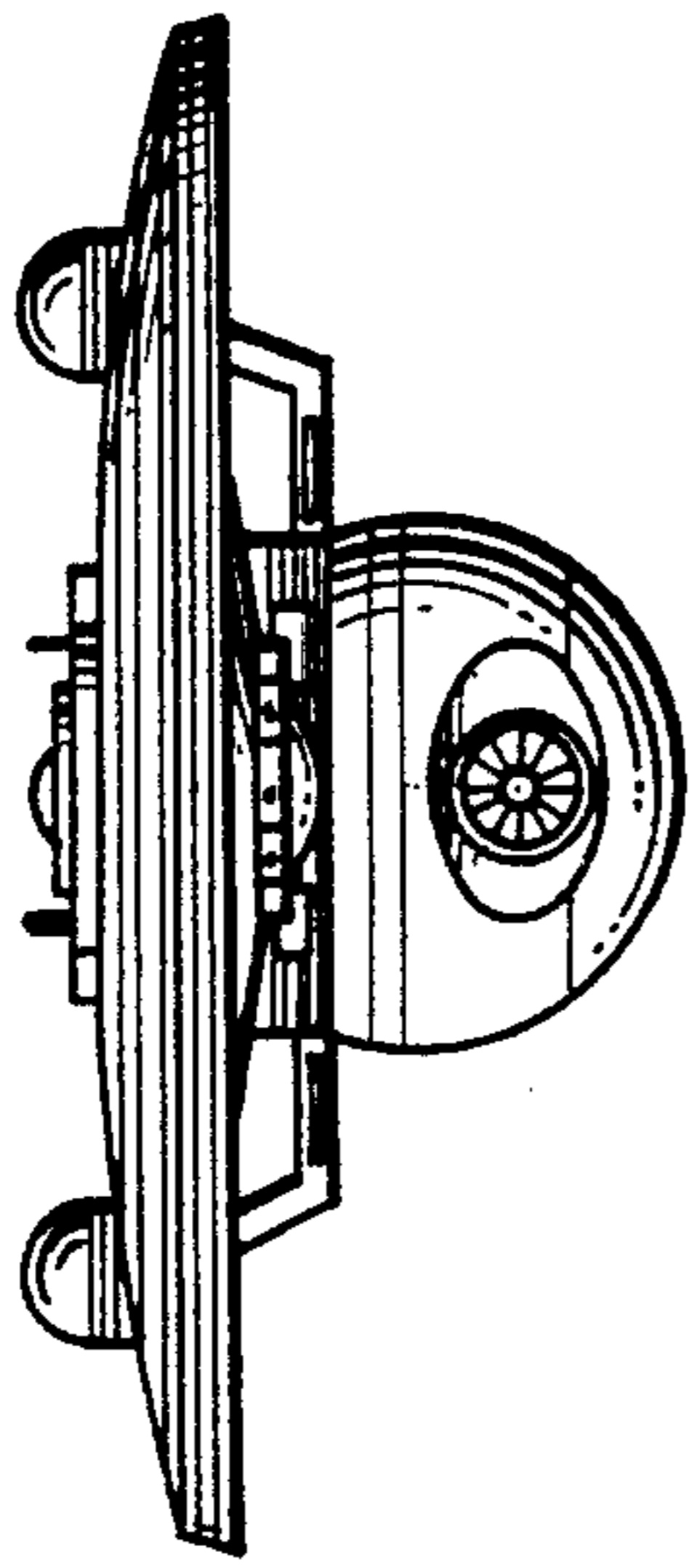


Fig. 5.

