

[54] **PLAYING CARD HOLDER**

[76] Inventor: **Carmine Salvatore**, 39 Wedgemere  
La., Stamford, Conn. 06905

[\*\*] Term: **14 Years**

[21] Appl. No.: **644,356**

[22] Filed: **Aug. 27, 1984**

[52] U.S. Cl. .... **D21/54**

[58] Field of Search ..... **D21/54-56,**  
**D21/41; 273/148 A, 150**

[56] **References Cited**

**U.S. PATENT DOCUMENTS**

D. 175,823	10/1955	Burchstead et al. ....	D21/55
1,076,850	10/1913	Wedderburn .....	273/150
2,520,490	8/1950	Boward .....	273/150

4,291,882 9/1981 Del Monte ..... 273/148 A

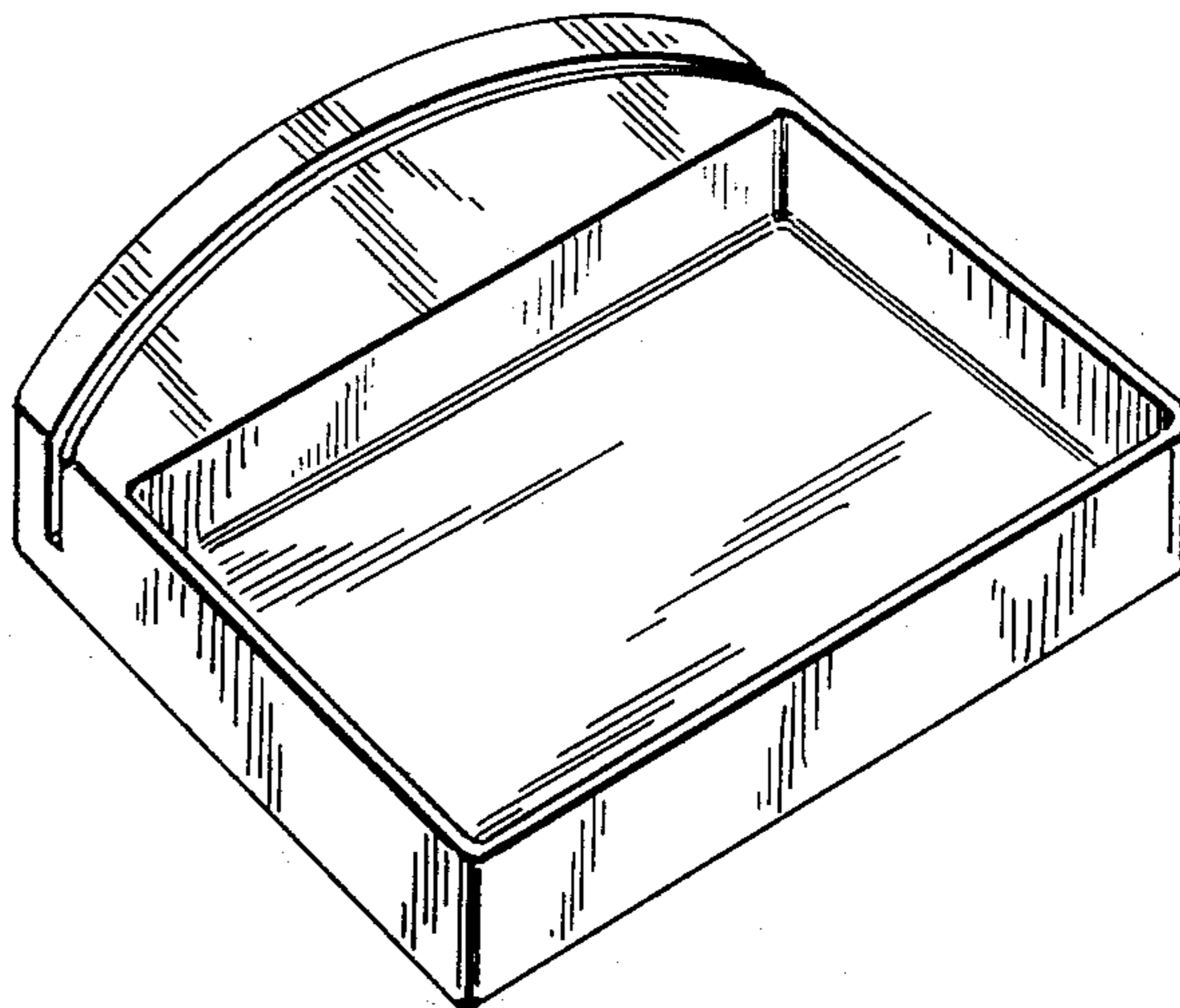
*Primary Examiner*—Melvin B. Feifer  
*Attorney, Agent, or Firm*—St. Onge Steward Johnston &  
Reens

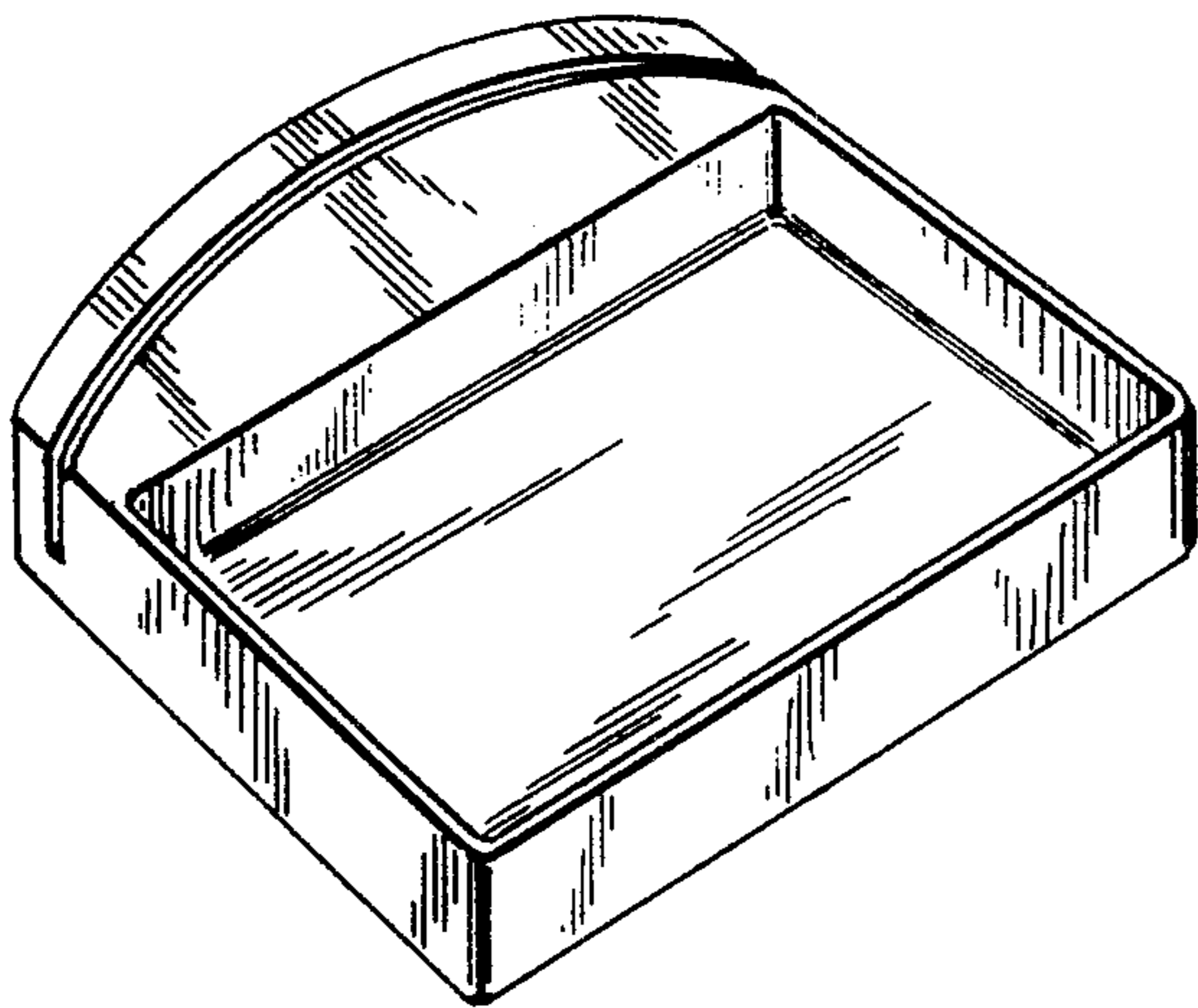
[57] **CLAIM**

The ornamental design for a playing card holder, sub-  
stantially as shown and described.

**DESCRIPTION**

FIG. 1 is a top, front and left side perspective view of a  
playing card holder showing my new design;  
FIG. 2 is a rear view of my new design;  
FIG. 3 is a top view of my new design;  
FIG. 4 is a front view of my new design;  
FIG. 5 is a left side view of my new design; and  
FIG. 6 is a bottom view of my new design.



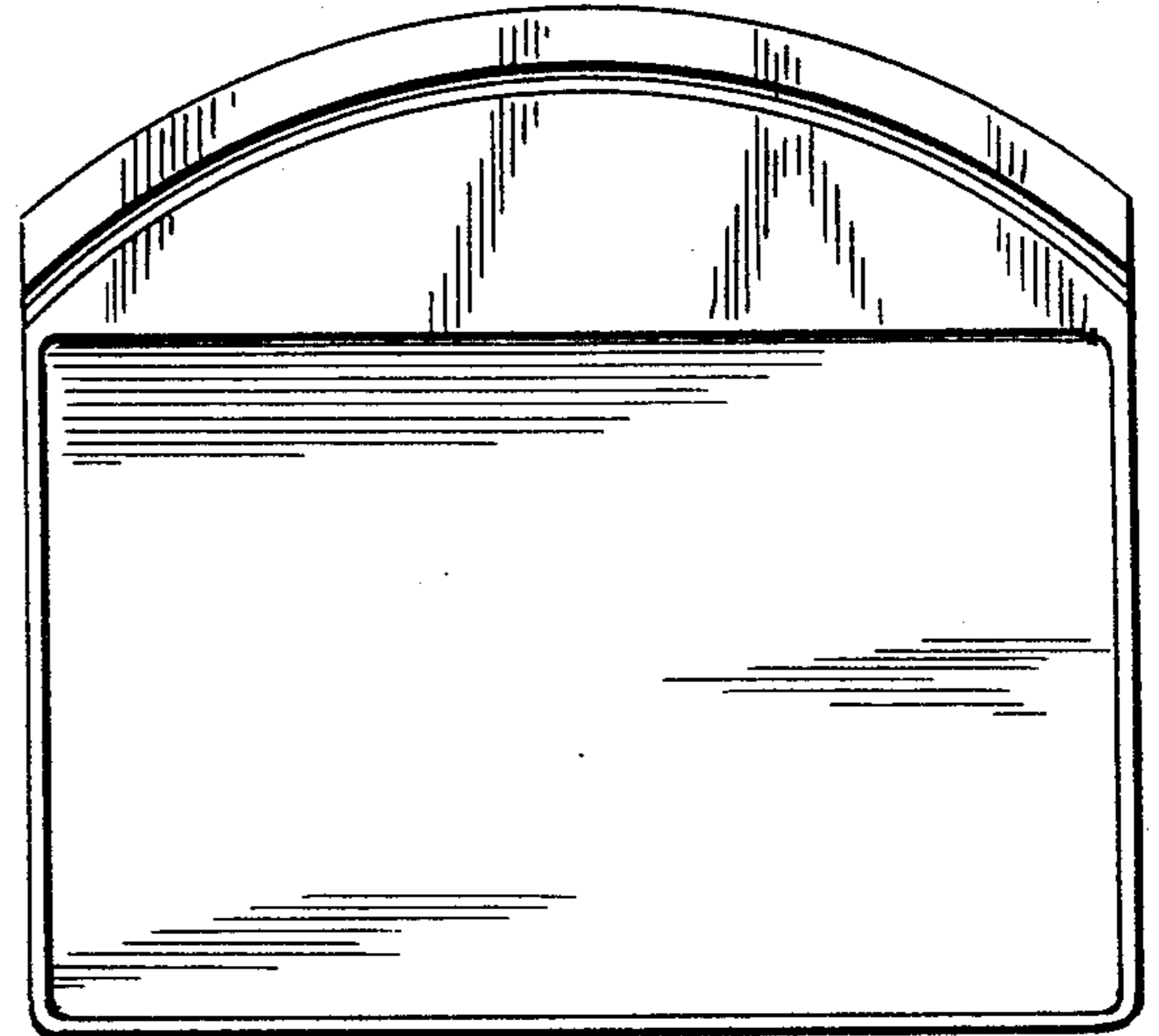


*Fig. 1.*

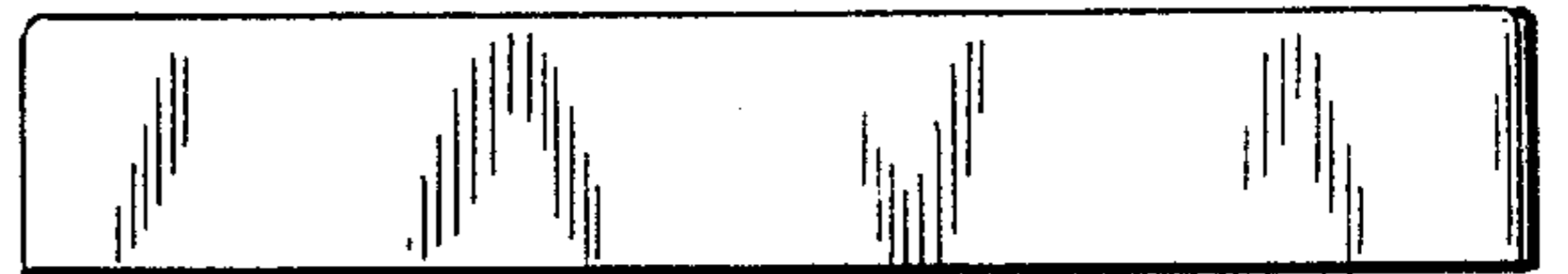
*Fig. 2.*



*Fig. 3.*



*Fig. 4.*



*Fig. 5.*

*Fig. 6.*

