

[54] DRAFTSMAN'S ORGANIZER

2,292,932 8/1942 Edwards 211/128
2,368,909 2/1945 Wright 211/128

[76] Inventor: James E. Boon, 501 E. Second St.,
Pass Christian, Miss. 39571

Primary Examiner—Bernard Ansher
Assistant Examiner—Linda Titolo
Attorney, Agent, or Firm—C. Emmett Pugh &
Associates

[**] Term: 14 Years

[21] Appl. No.: 546,748

[57] CLAIM

[22] Filed: Oct. 31, 1983

The ornamental design for a draftsman's organizer, as
shown and described.

[52] U.S. Cl. D19/78

[58] Field of Search D19/78, 77, 85, 90;
D6/468, 467, 474, 476; 211/52, 128

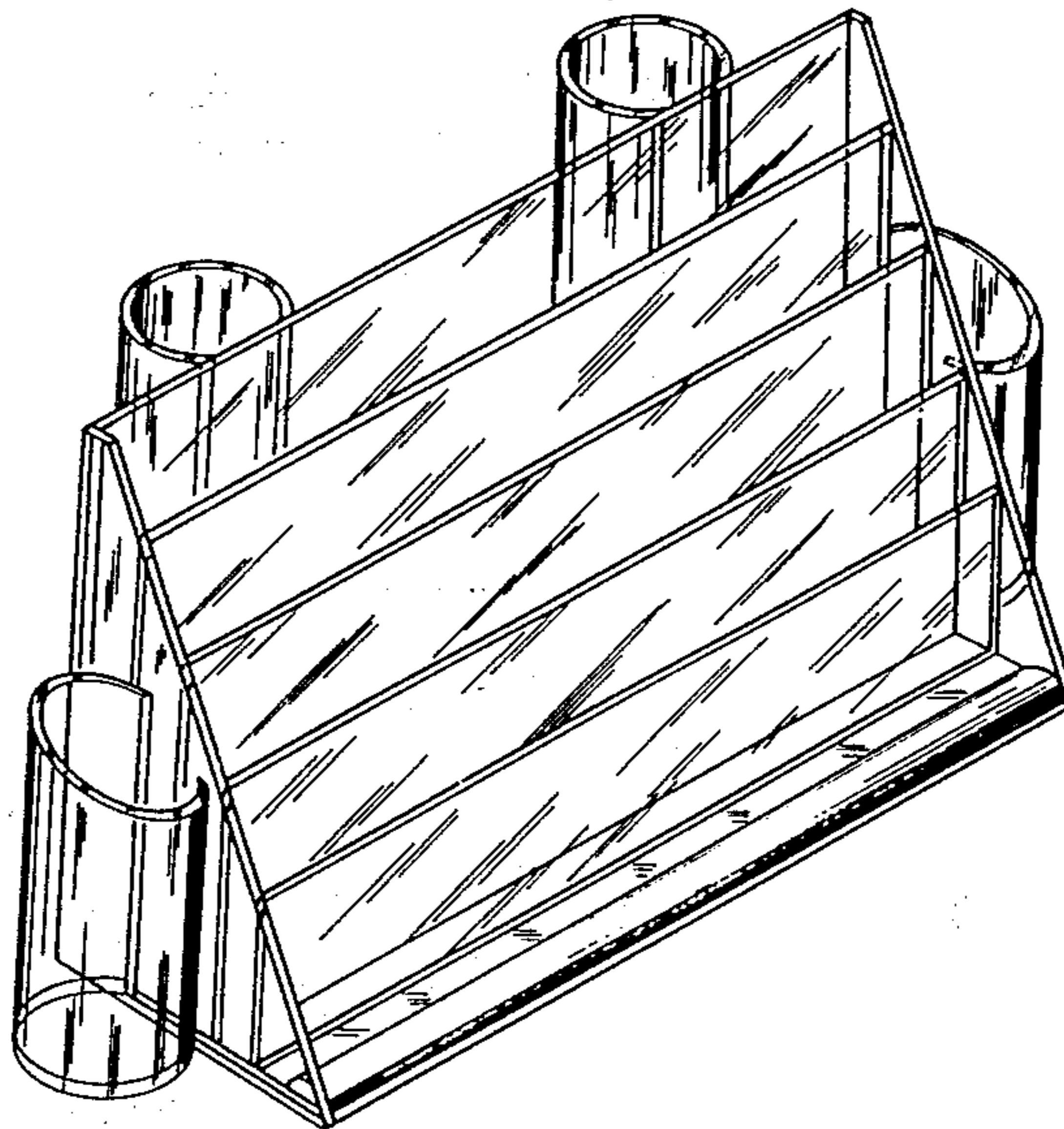
DESCRIPTION

[56] References Cited

U.S. PATENT DOCUMENTS

| | | | | |
|------------|---------|----------|-------|----------|
| D. 162,597 | 3/1951 | Turner | | D6/474 |
| D. 173,818 | 1/1955 | Rogers | | D19/78 |
| D. 201,411 | 6/1965 | Tucker | | D19/90 |
| D. 249,273 | 9/1978 | Day | | D19/78 |
| D. 261,011 | 9/1981 | Brown | | D19/90 |
| D. 276,777 | 12/1984 | Evenson | | D6/476 X |
| D. 277,969 | 3/1985 | Bustos | | D19/90 X |
| 451,910 | 5/1891 | Blodgett | | 211/128 |

FIG. 1 is a top front and left side perspective view of a
draftsman's organizer showing my new design, with
parts not shown for ease of illustration.
FIG. 2 is a rear elevational view thereof.
FIG. 3 is a top plan view thereof.
FIG. 4 is a front elevational view thereof, the broken
lines showing a bracket and table mounting clamp are
shown for illustrative purposes only.
FIG. 5 is a right side elevational view thereof, the left
side being a mirror image thereof; and
FIG. 6 is a bottom plan view thereof.



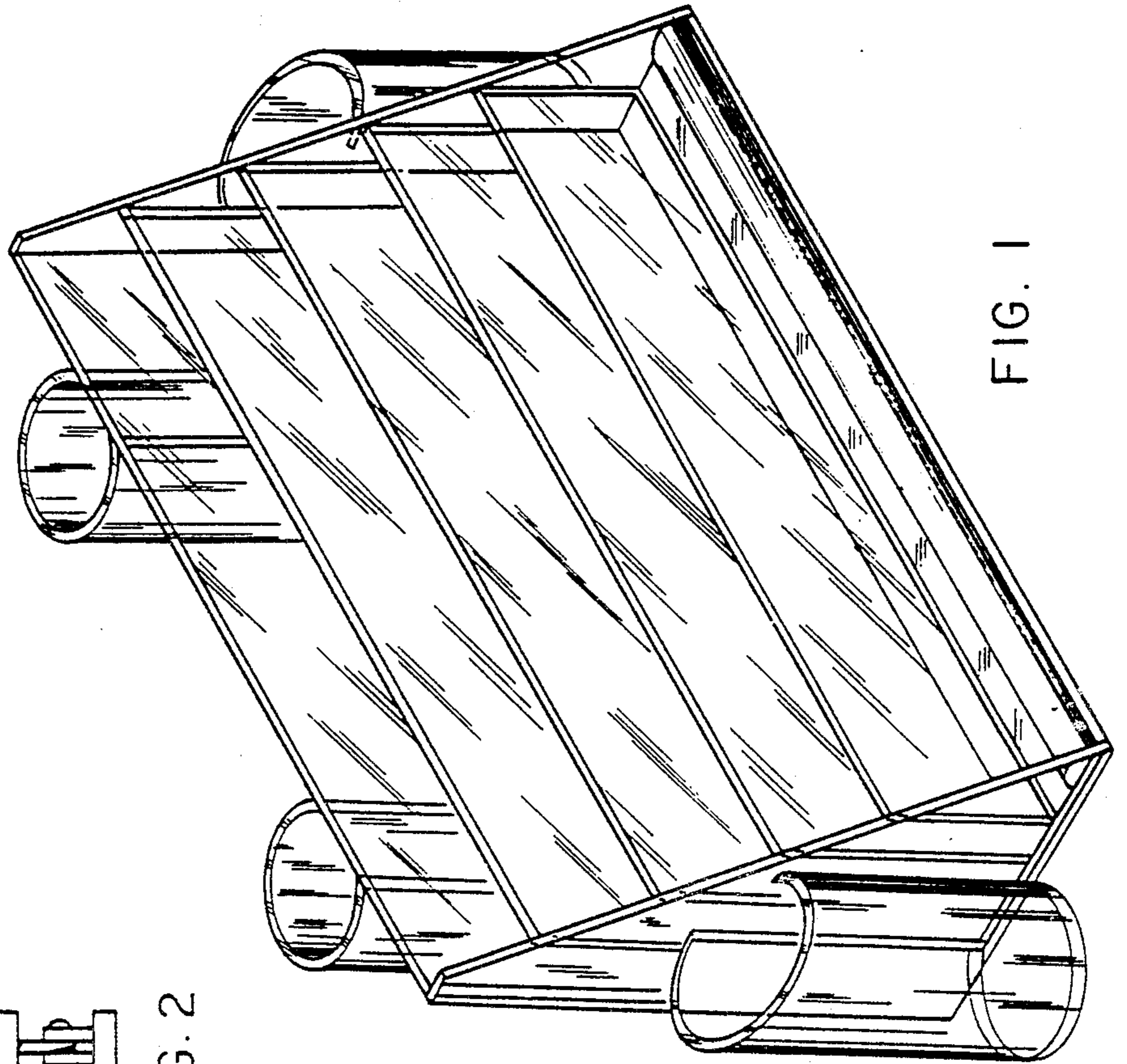


FIG. 1

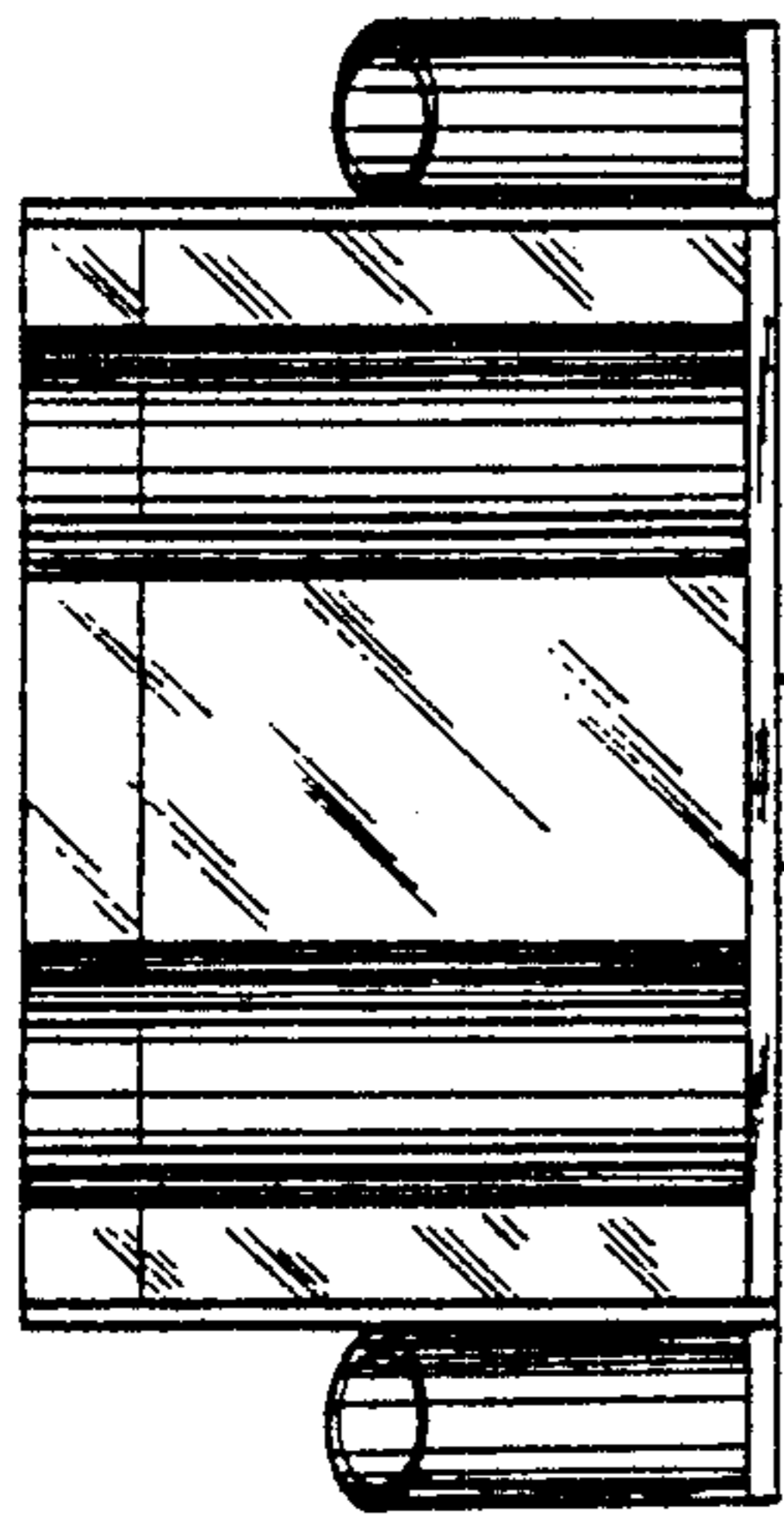


FIG. 2

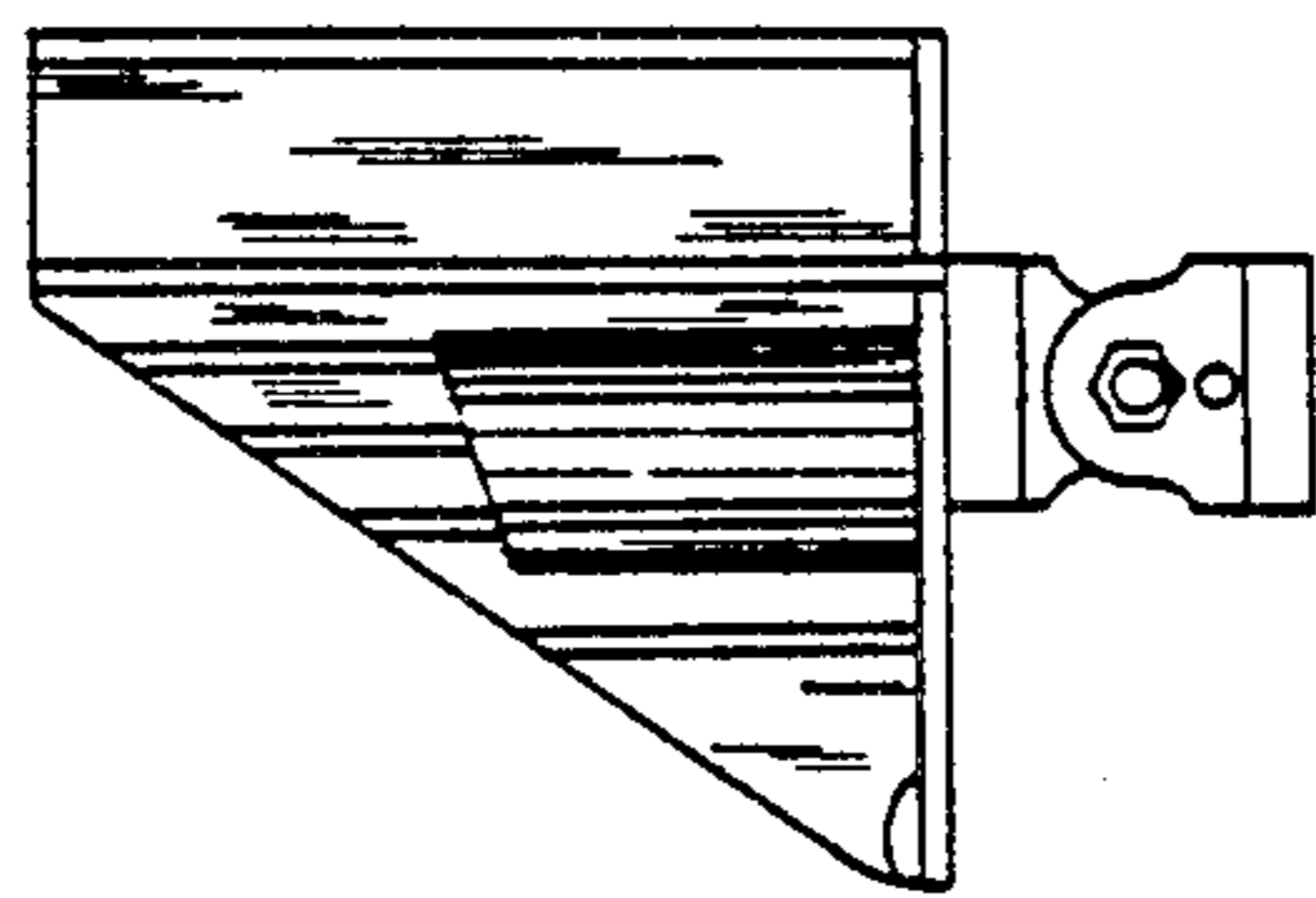


FIG. 5

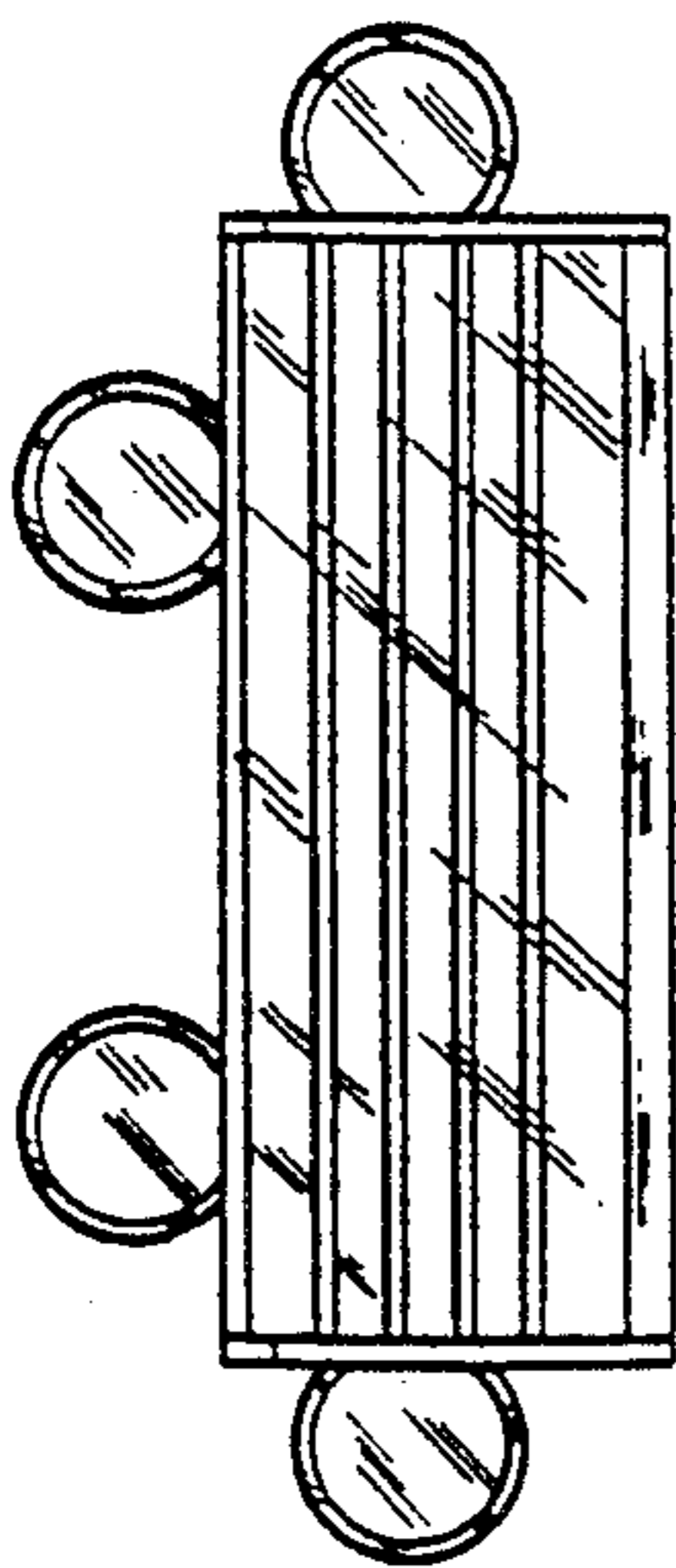


FIG. 3

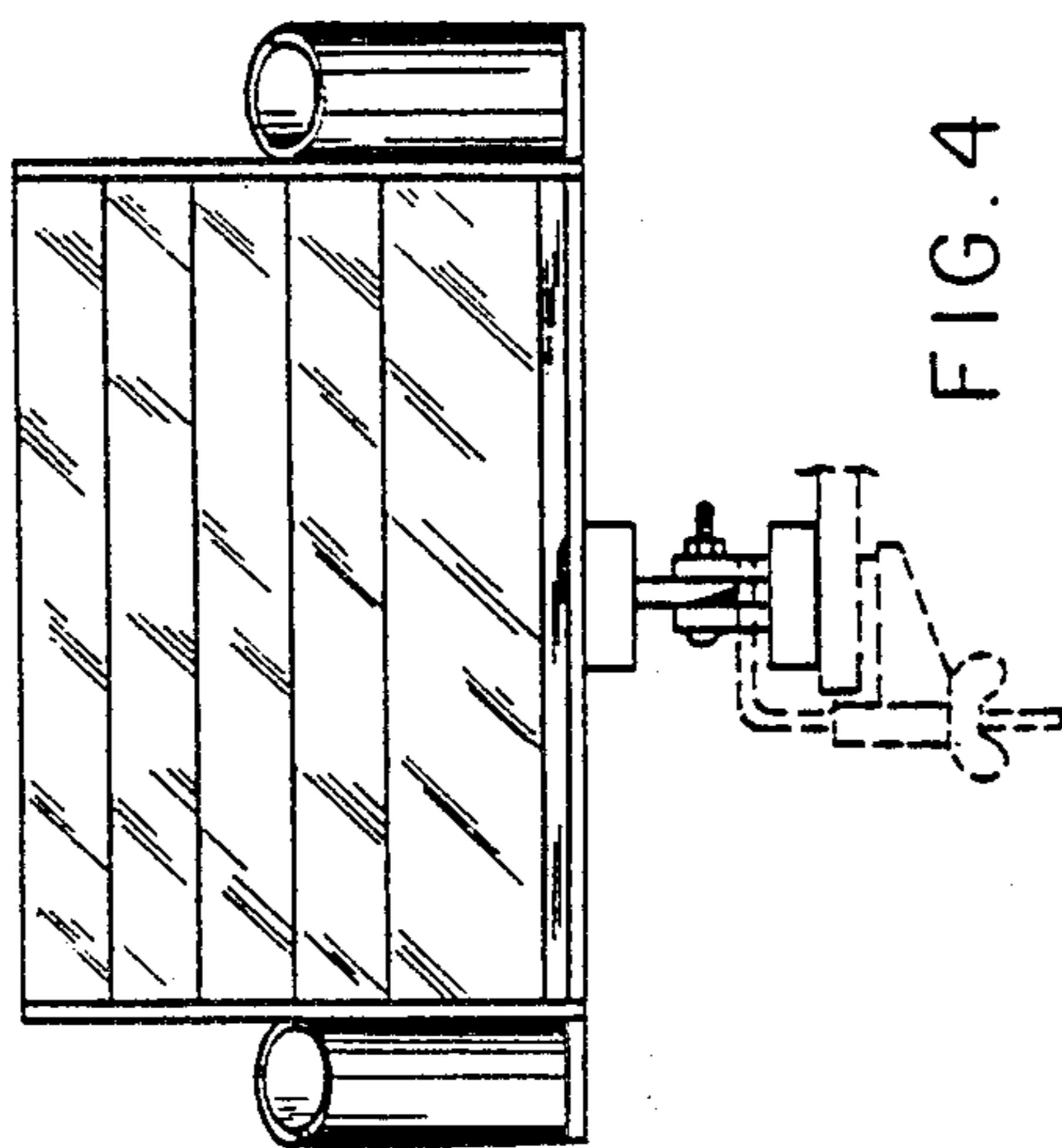


FIG. 4

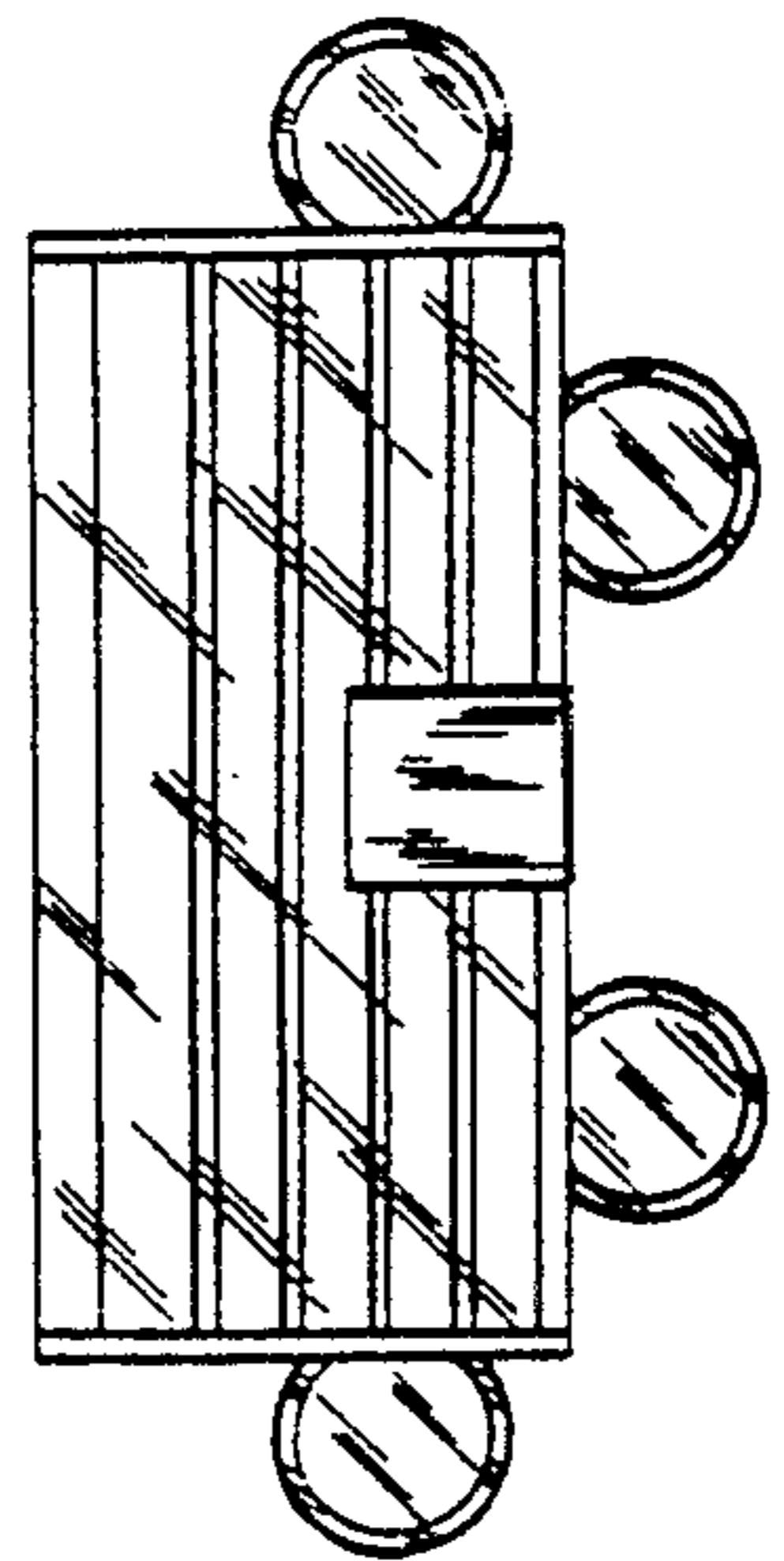


FIG. 6