

[54] **CARD FILE**

[75] **Inventor: Gerald J. Klodt, Madison, Wis.**

[73] **Assignee: W. T. Rogers Company, Madison, Wis.**

[\*\*] **Term: 14 Years**

[21] **Appl. No.: 661,519**

[22] **Filed: Oct. 16, 1984**

[52] **U.S. Cl. .... D19/76; D9/420**

[58] **Field of Search ..... D19/75-78,  
D19/90-92; D3/35, 76; D9/420, 421, 423, 432;  
206/371, 425; 224/42.42 R**

[56] **References Cited**

**U.S. PATENT DOCUMENTS**

- D. 208,832 10/1967 Braun ..... D9/420
- D. 211,714 7/1968 Braun ..... D9/420
- D. 249,744 9/1978 Lyman ..... D19/90 X
- D. 259,396 6/1981 Shiffman ..... D9/420 X

**OTHER PUBLICATIONS**

IDL Card Index Boxes Flyer, item 35P at right.  
W. T. Rogers 84/85 Office Products Catalog, p. 7.  
Boise Cascade 1984 Office Products Catalog, pp. 80-82.  
EVCO Office Products Accessory Systems (no date given).

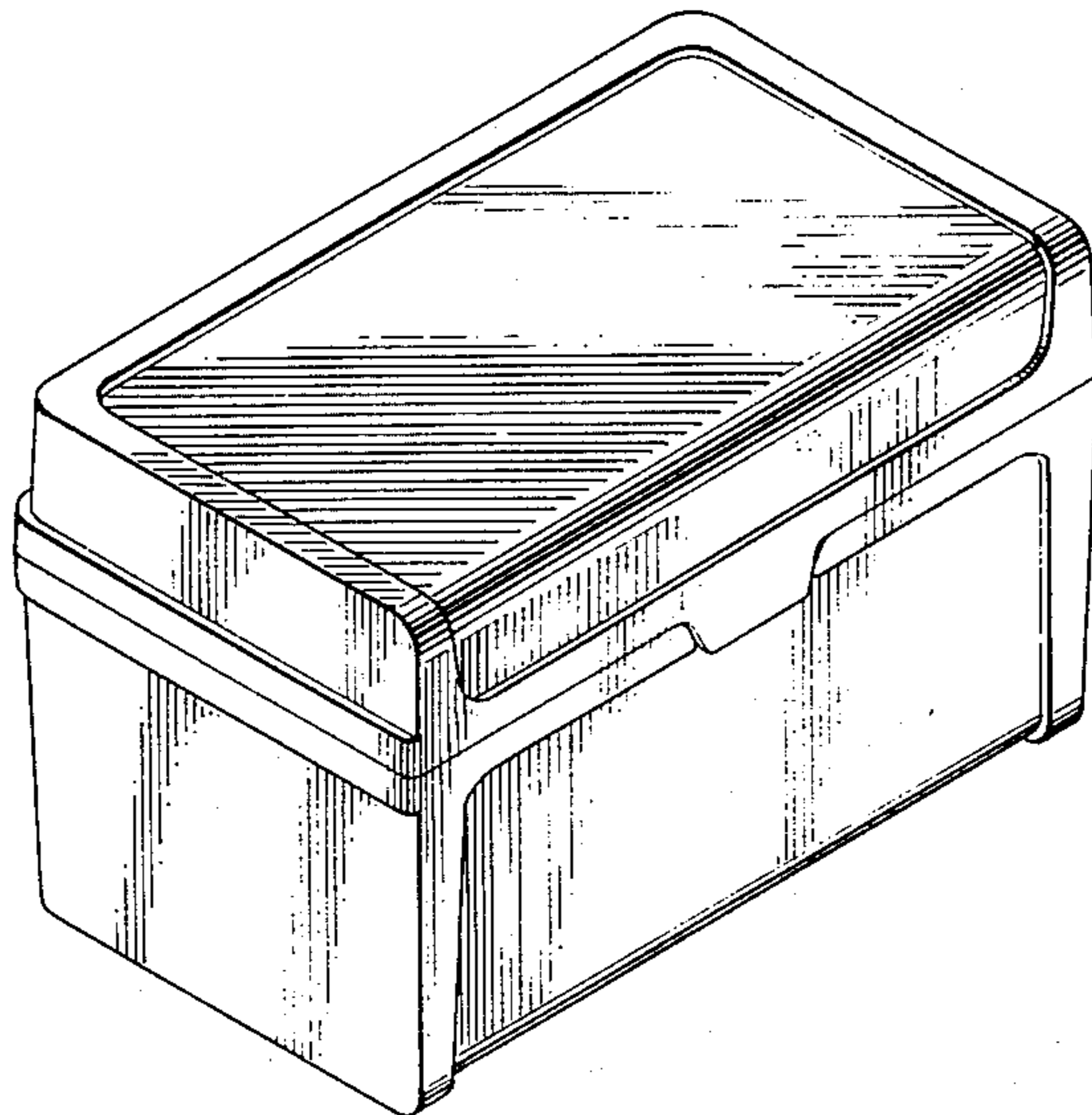
*Primary Examiner*—Louis S. Zarfaz  
*Attorney, Agent, or Firm*—Jones, Tullar & Cooper

[57] **CLAIM**

The ornamental design for a card file, as shown and described.

**DESCRIPTION**

FIG. 1 is a perspective view of the card file showing my new design;  
FIG. 2 is a rear elevational view thereof;  
FIG. 3 is a top plan view thereof and showing the cover in an open position;  
FIG. 4 is a top plan view thereof and showing the cover in a closed position;  
FIG. 5 is a front elevational view thereof; and  
FIG. 6 is a left side elevational view thereof, the right side elevational view being the same.



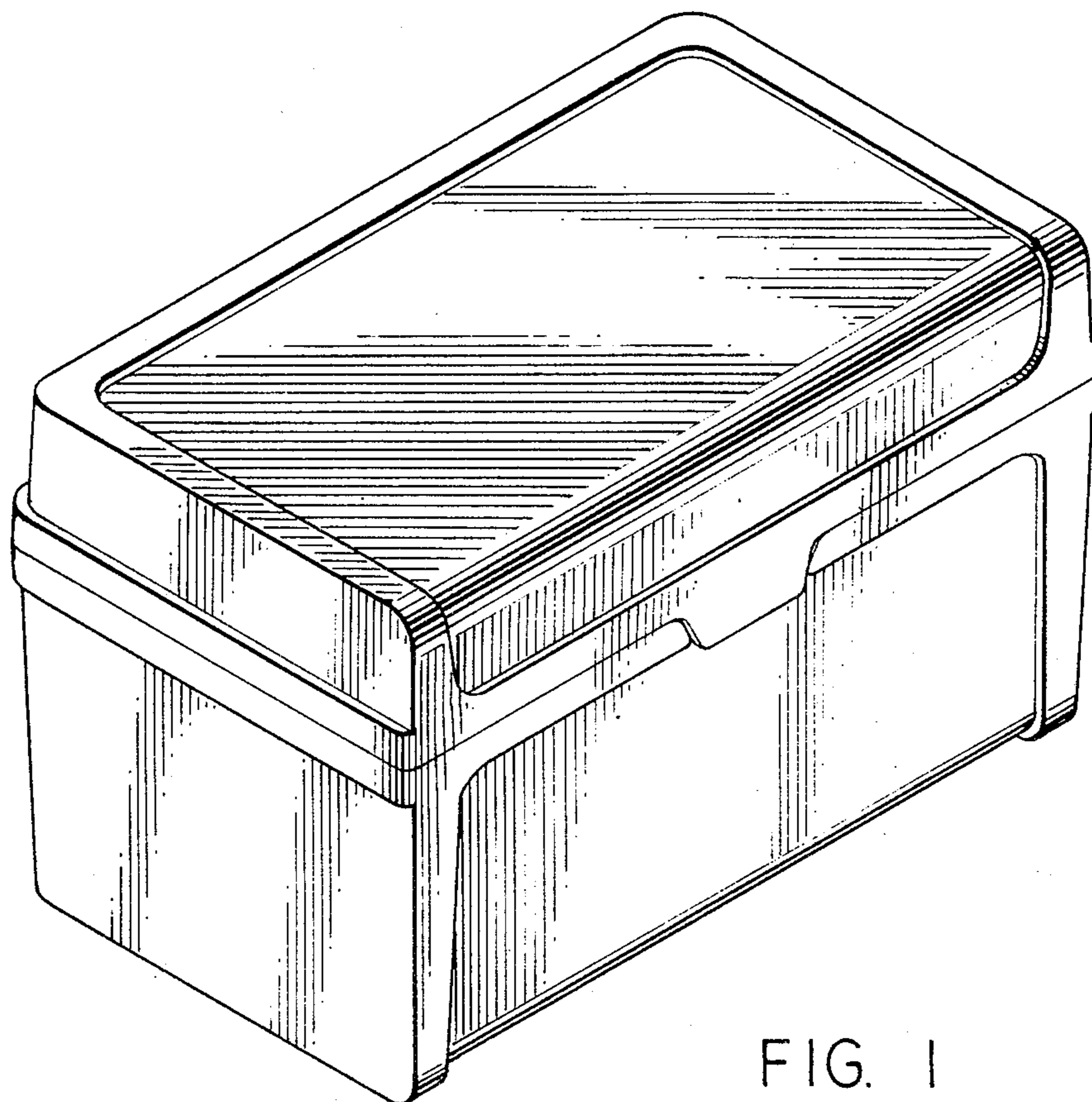


FIG. 1

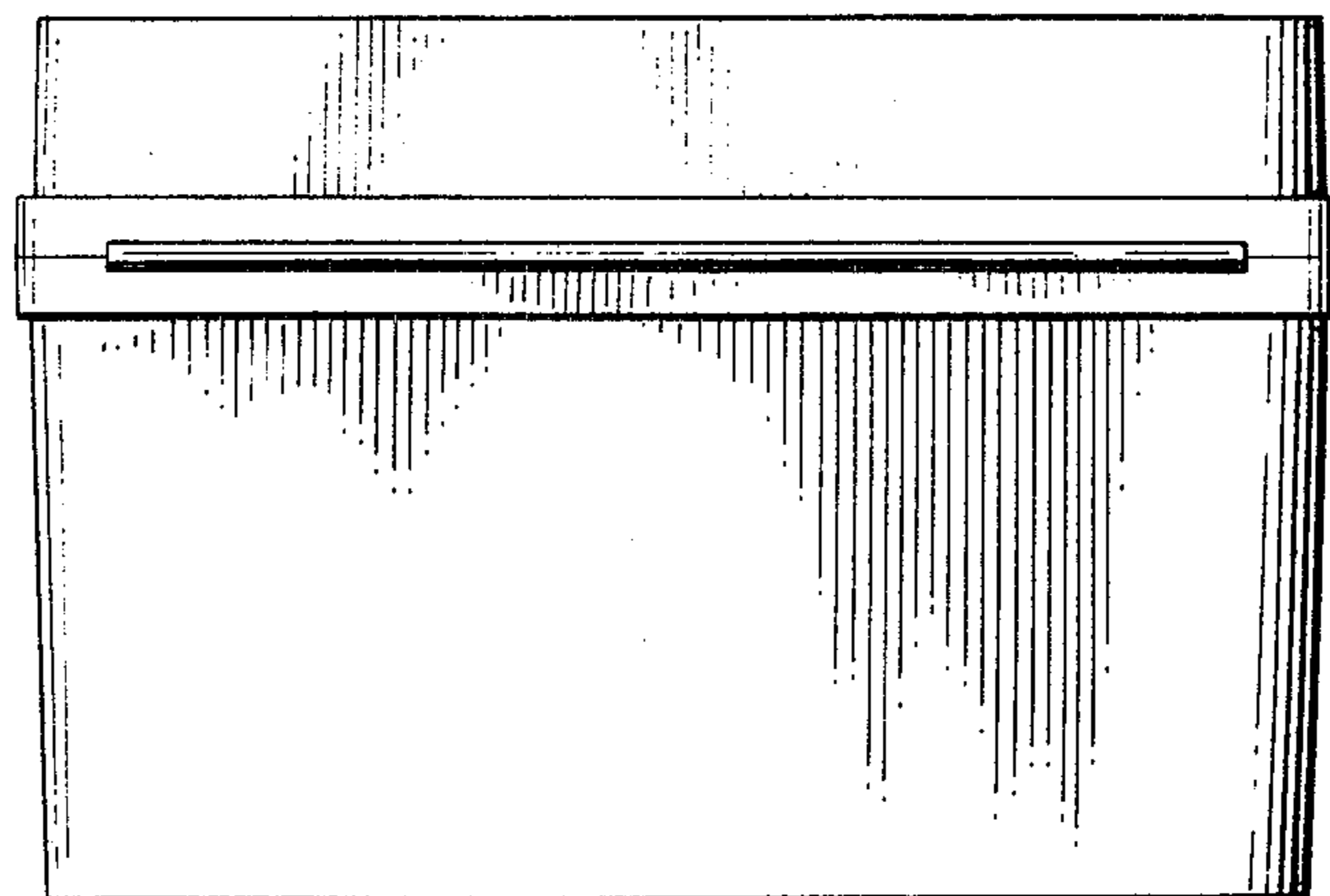


FIG. 2

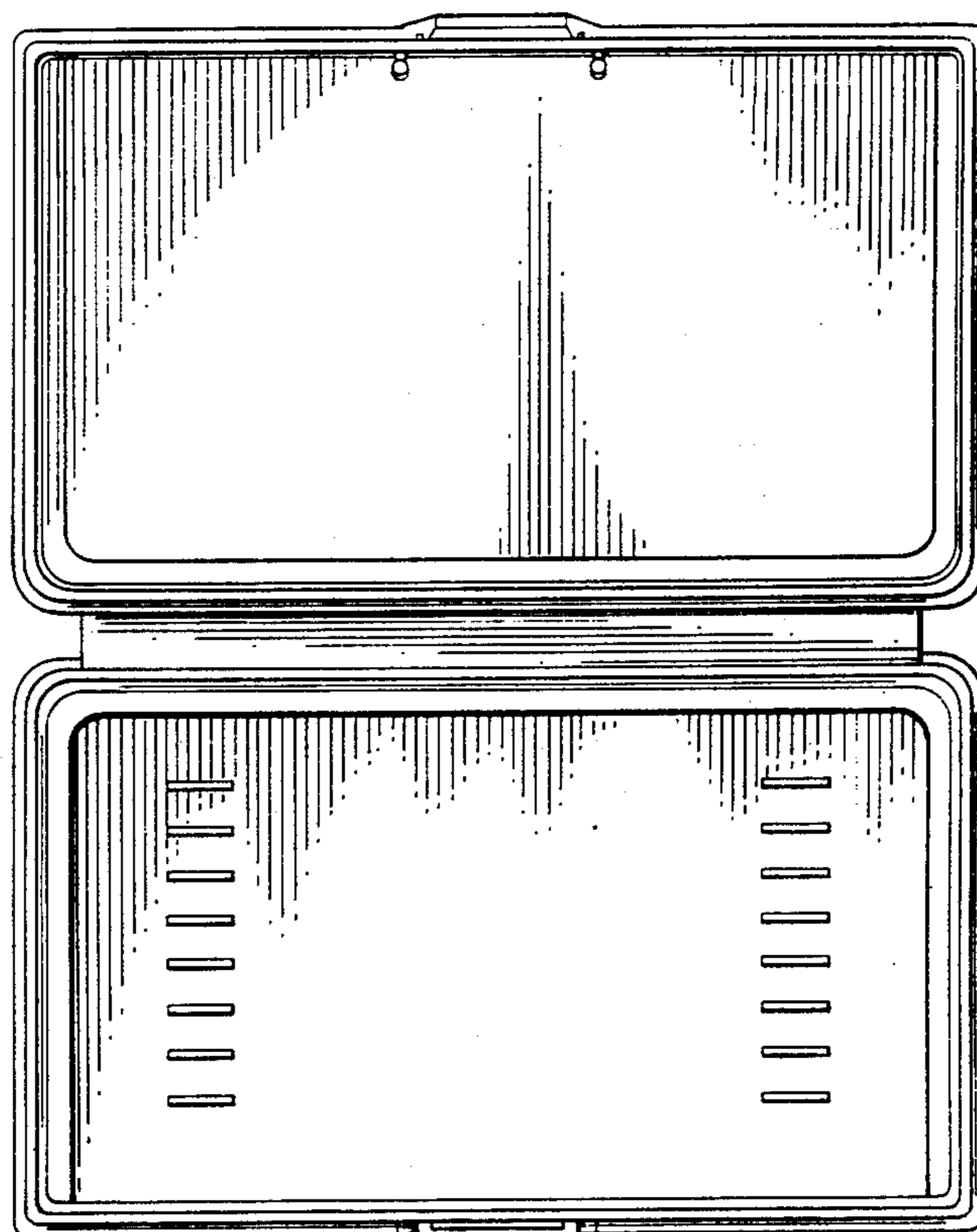


FIG. 3

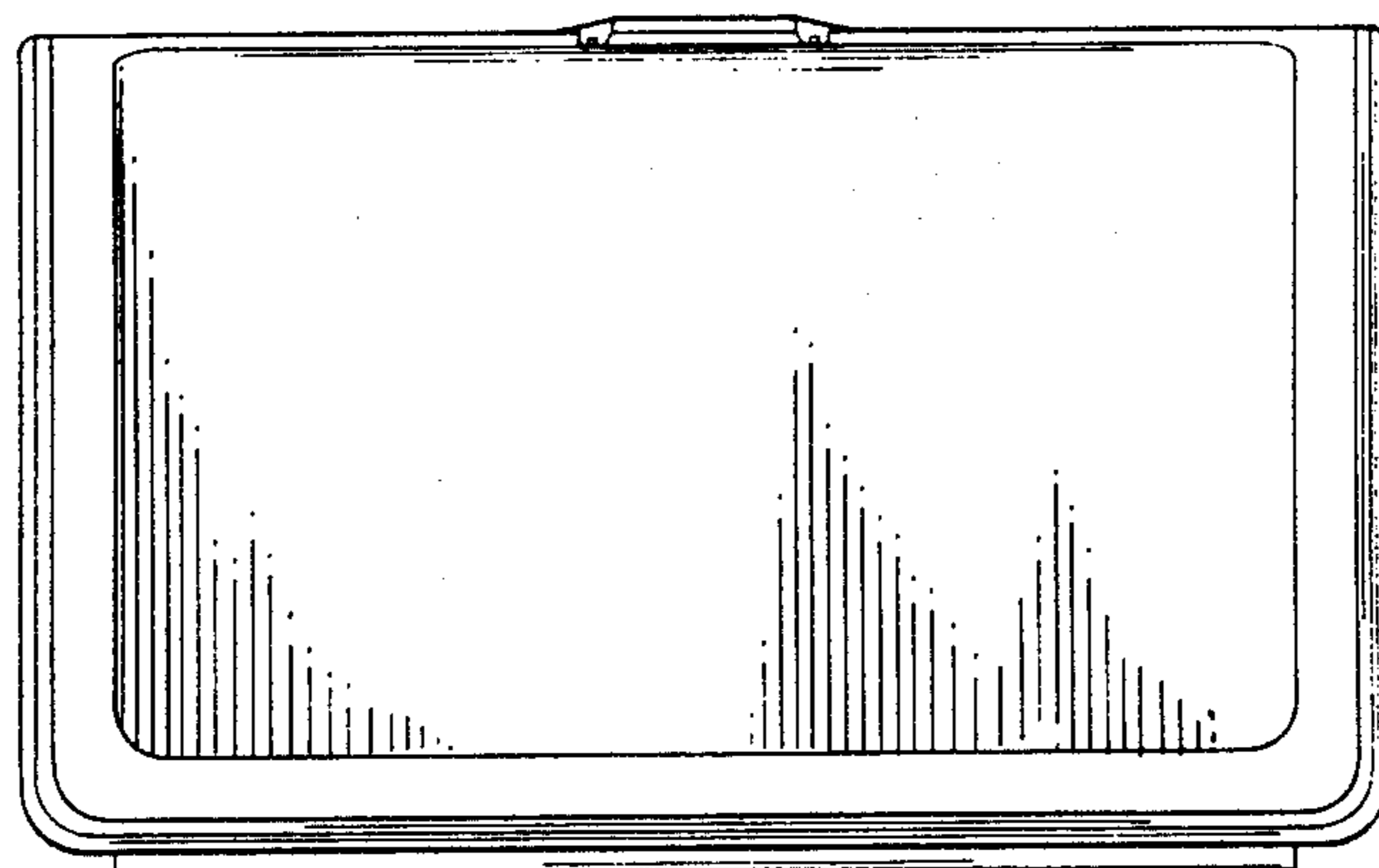


FIG. 4

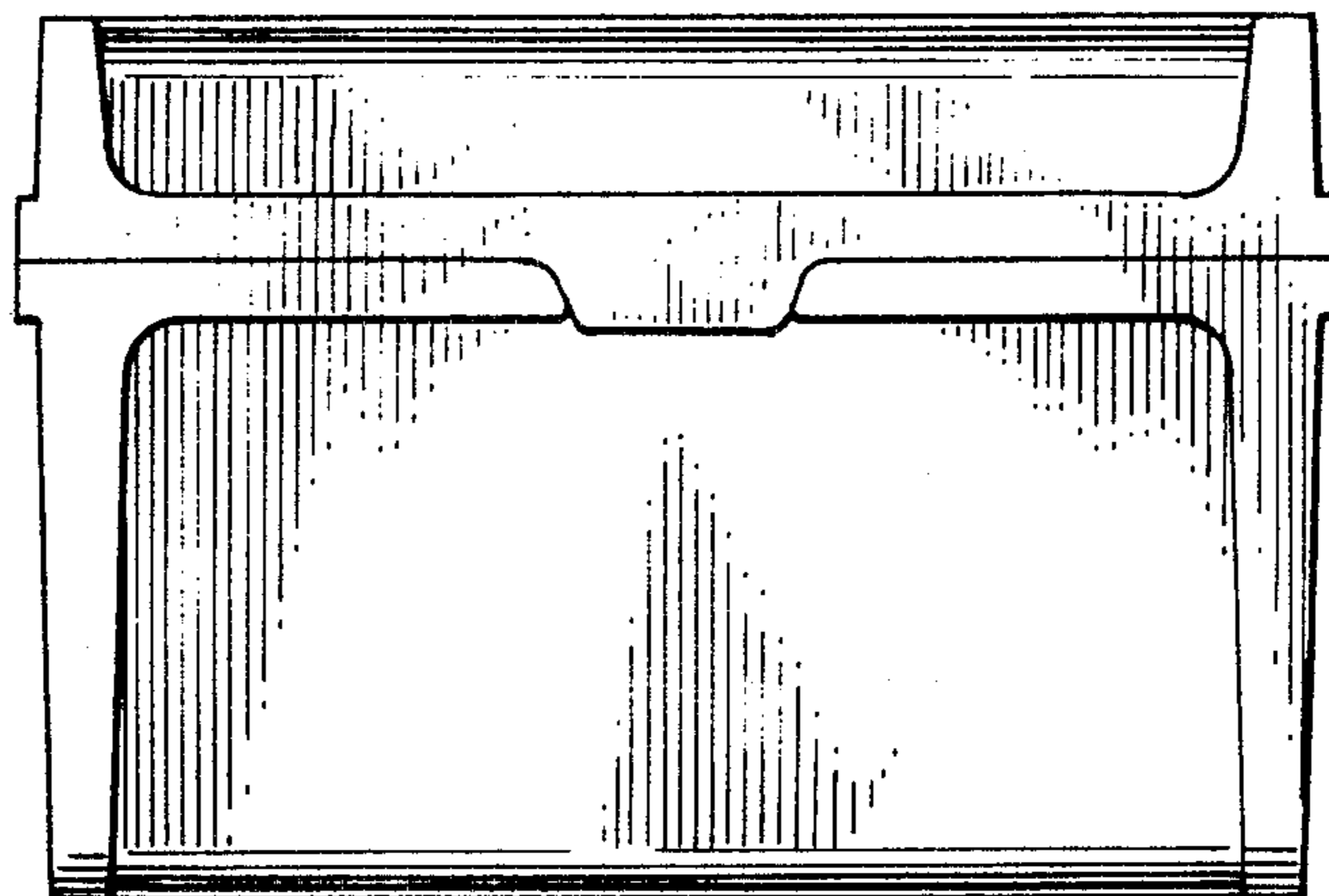


FIG. 5

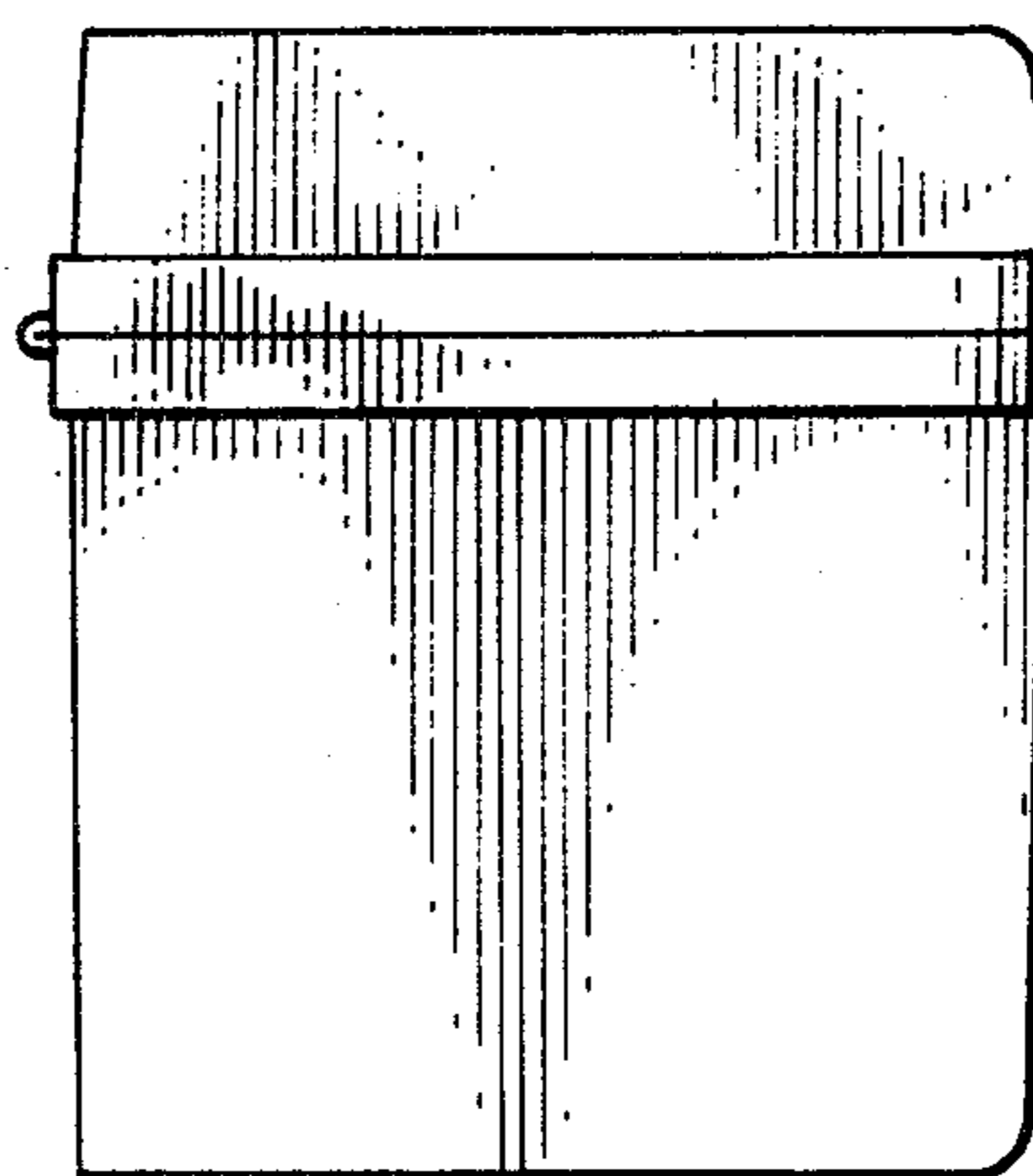


FIG. 6