

[54] COMBINED OPTICAL COUPLER FOR COUPLING A TELEVISION CAMERA TO AN ENDOSCOPE AND AN OBSERVATION EYEPIECE THEREFORE

[75] Inventors: Richard E. Feinbloom; Melvin Levine, both of New York; Lung T. Yee, Brooklyn, all of N.Y.

[73] Assignee: Designs for Vision, Inc., Ronkonkomo, N.Y.

[**] Term: 14 Years

[21] Appl. No.: 549,312

[22] Filed: Nov. 7, 1983

[52] U.S. Cl. D16/38; D16/132

[58] Field of Search D16/130, 131, 132, 134, D16/136, 137, 38; 128/4, 6; 354/62, 79; D14/78, 84

[56] References Cited

U.S. PATENT DOCUMENTS

D. 248,160	6/1978	Feinbloom et al.	D16/38
D. 265,482	7/1982	Bressler	D16/132
D. 271,698	12/1983	Shishido	D16/134 X
4,192,591	3/1980	Yobaccio	354/79 X

4,439,030 3/1984 Ueda 354/62

FOREIGN PATENT DOCUMENTS

1215710 12/1970 United Kingdom 354/79

Primary Examiner—Susan J. Lucas
Attorney, Agent, or Firm—Arthur L. Plevy

[57] CLAIM

The ornamental design for a combined optical coupler for coupling a television camera to an endoscope and an observation eyepiece therefore, as shown and described.

DESCRIPTION

FIG. 1 is a perspective view of a combined optical coupler for coupling a television camera to an endoscope and an observation eyepiece therefore showing our new design;

FIG. 2 is a side elevational view thereof, the opposite side being a mirror image;

FIG. 3 is a front elevational view thereof;

FIG. 4 is a rear elevational view thereof;

FIG. 5 is a top plan view thereof;

FIG. 6 is a bottom plan view thereof;

FIG. 7 is a perspective view thereof on a reduced scale, the television camera and endoscope cable unit being shown in broken lines for illustrative purposes only.

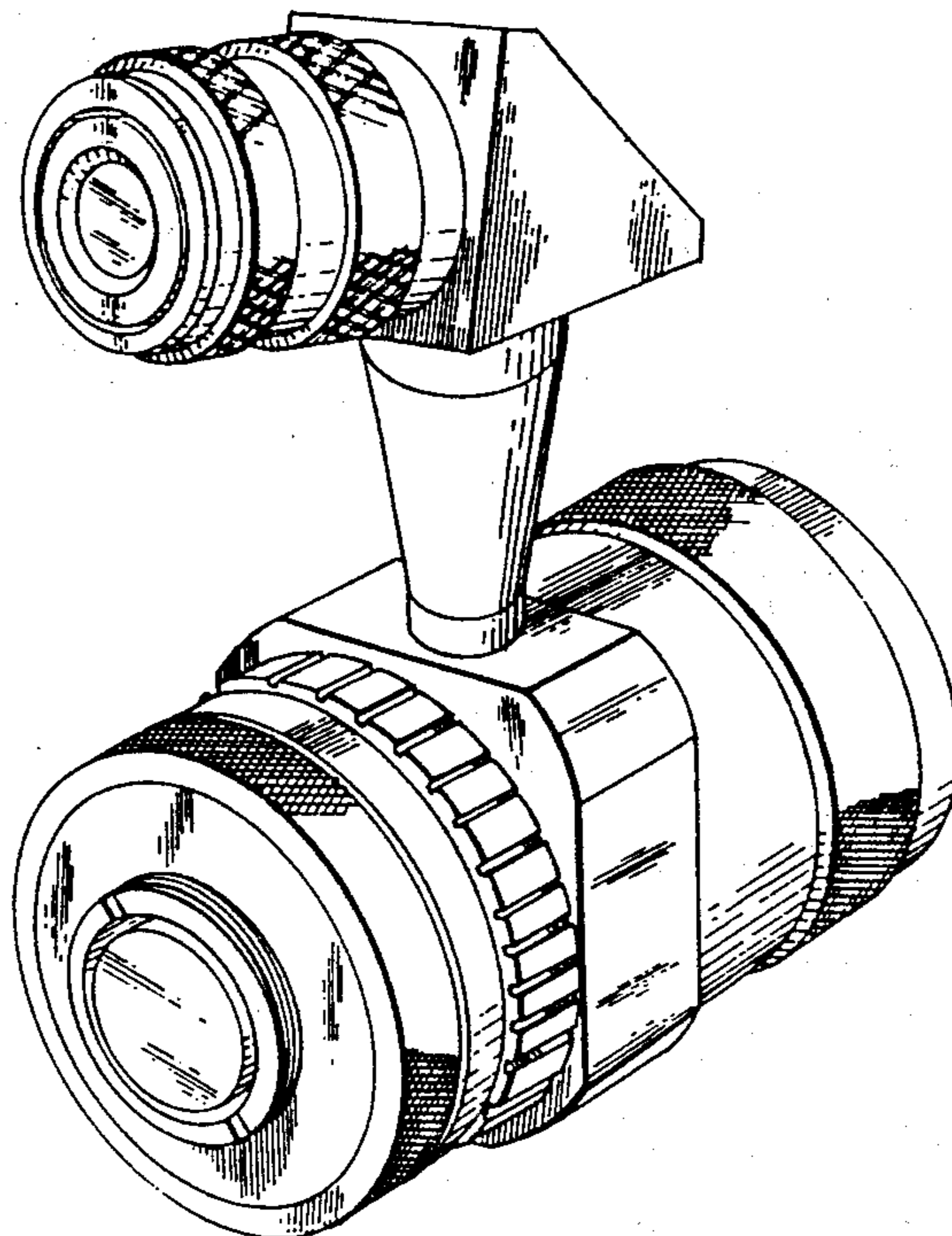


FIG. 1

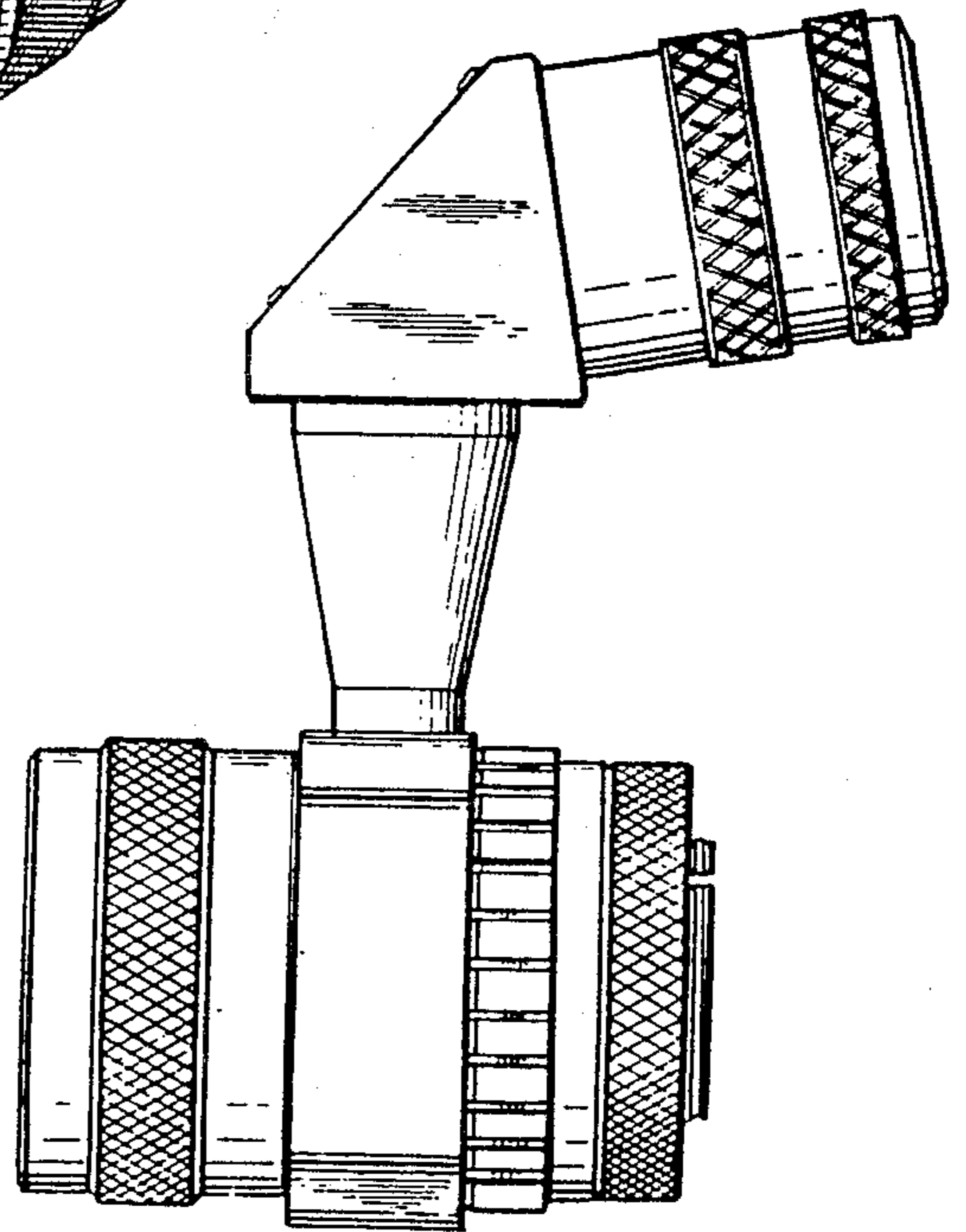
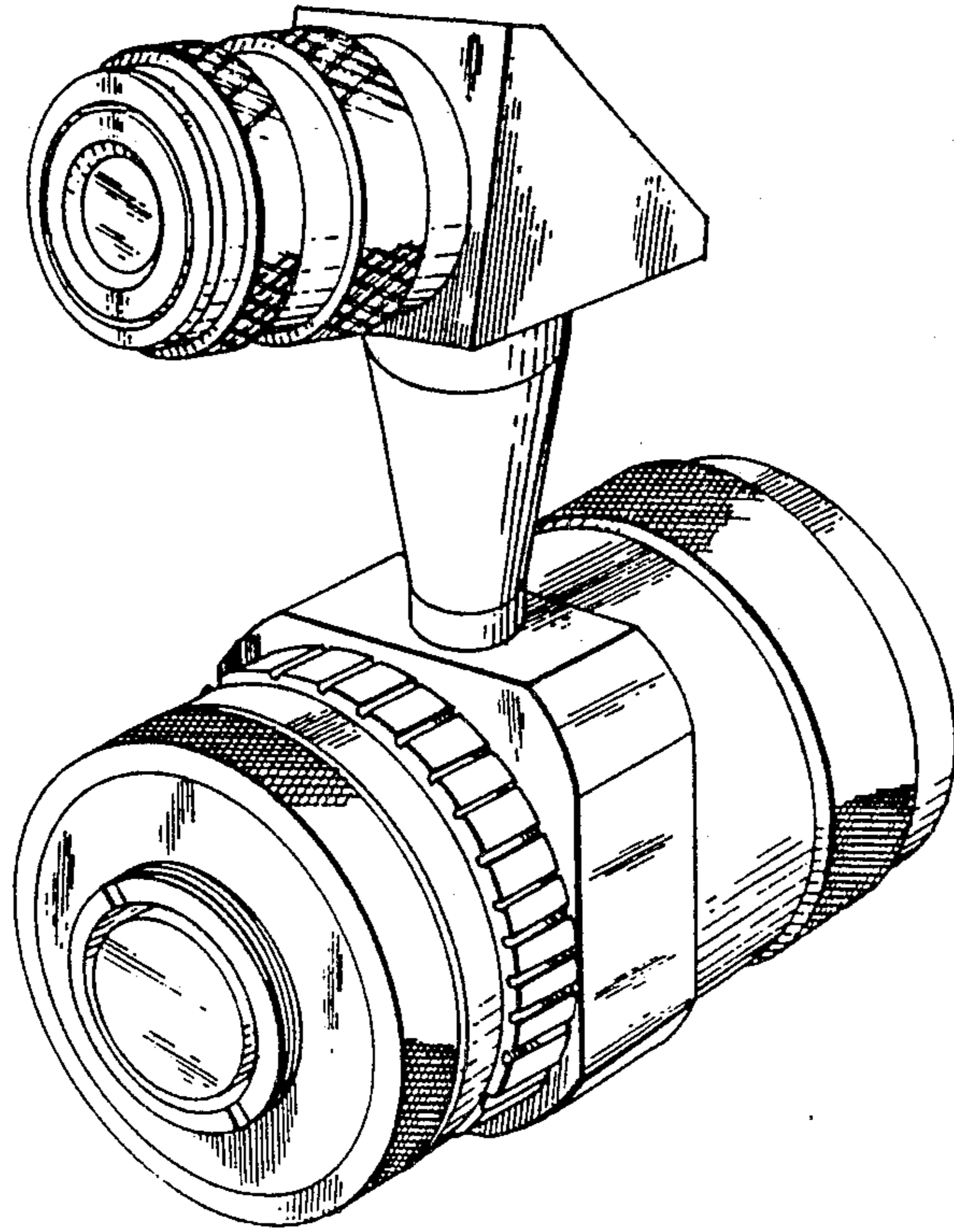


FIG. 2

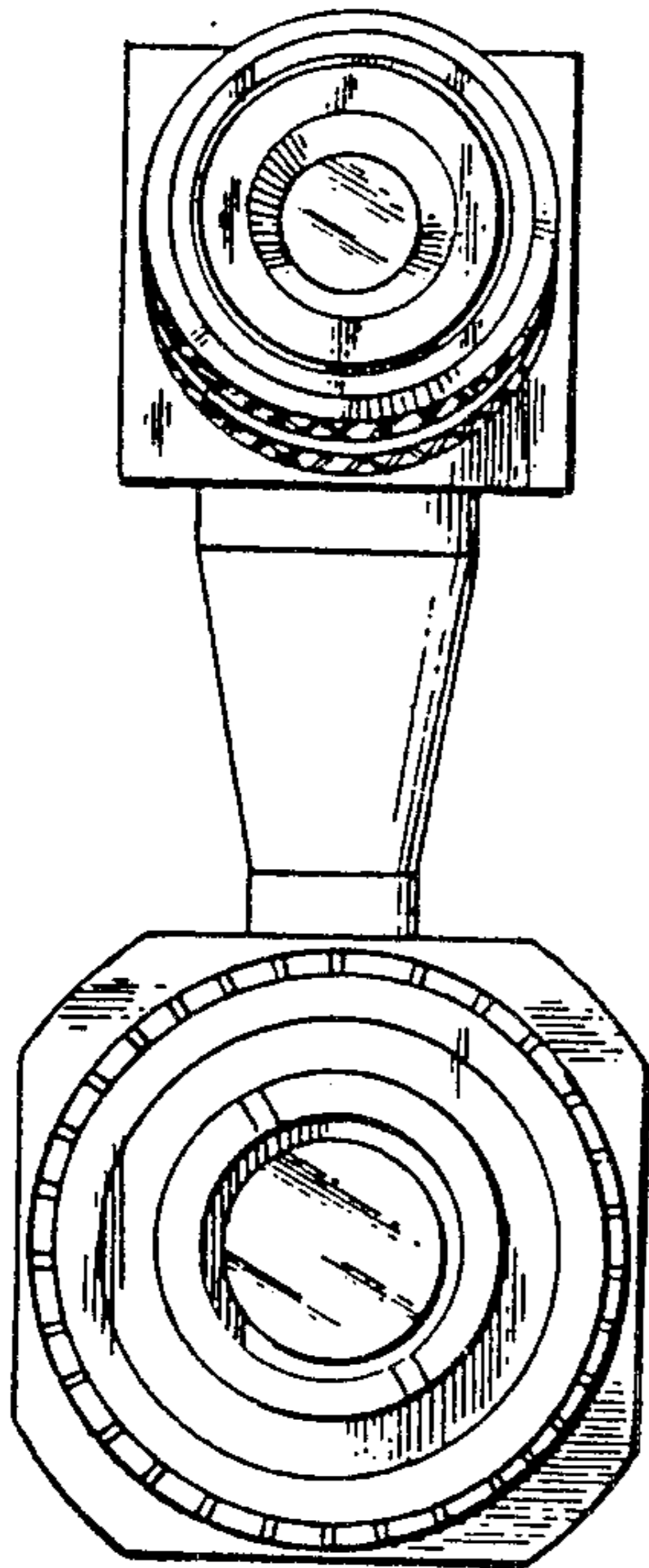


FIG. 3

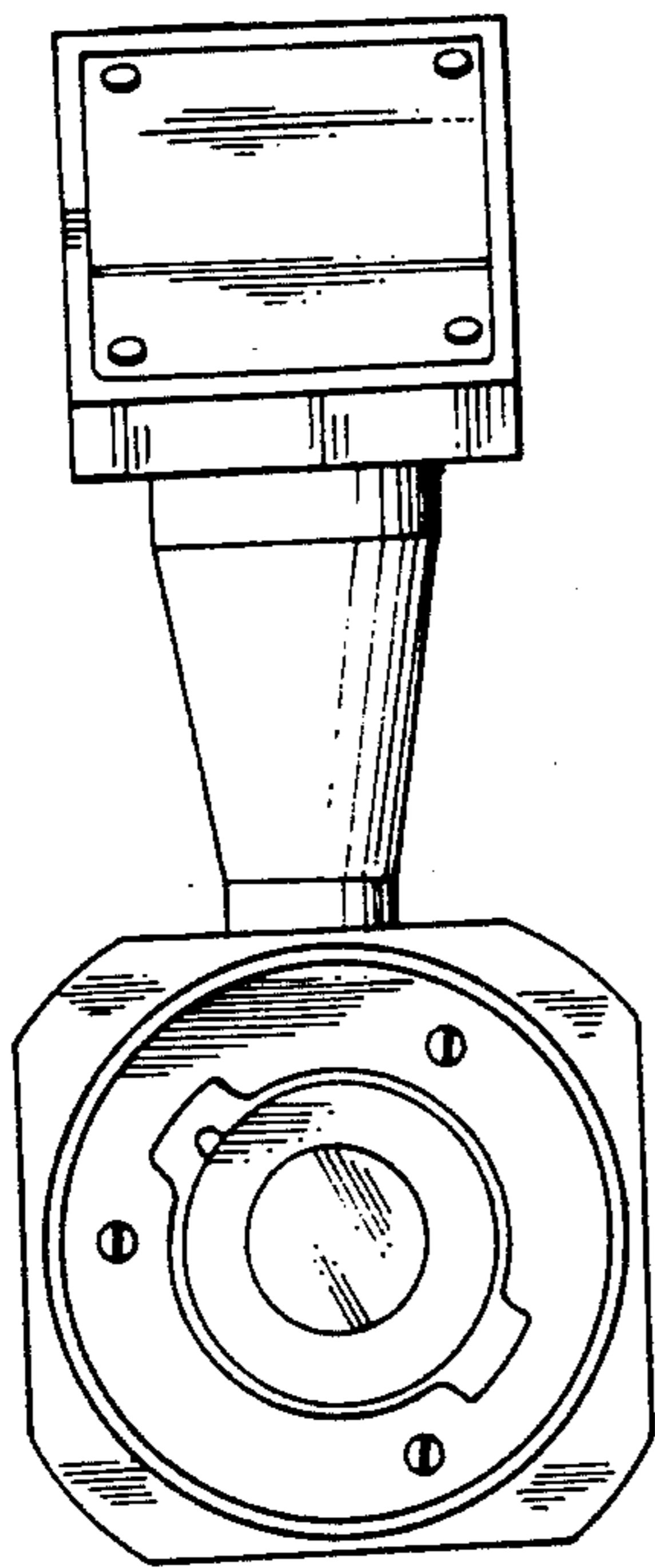


FIG. 4

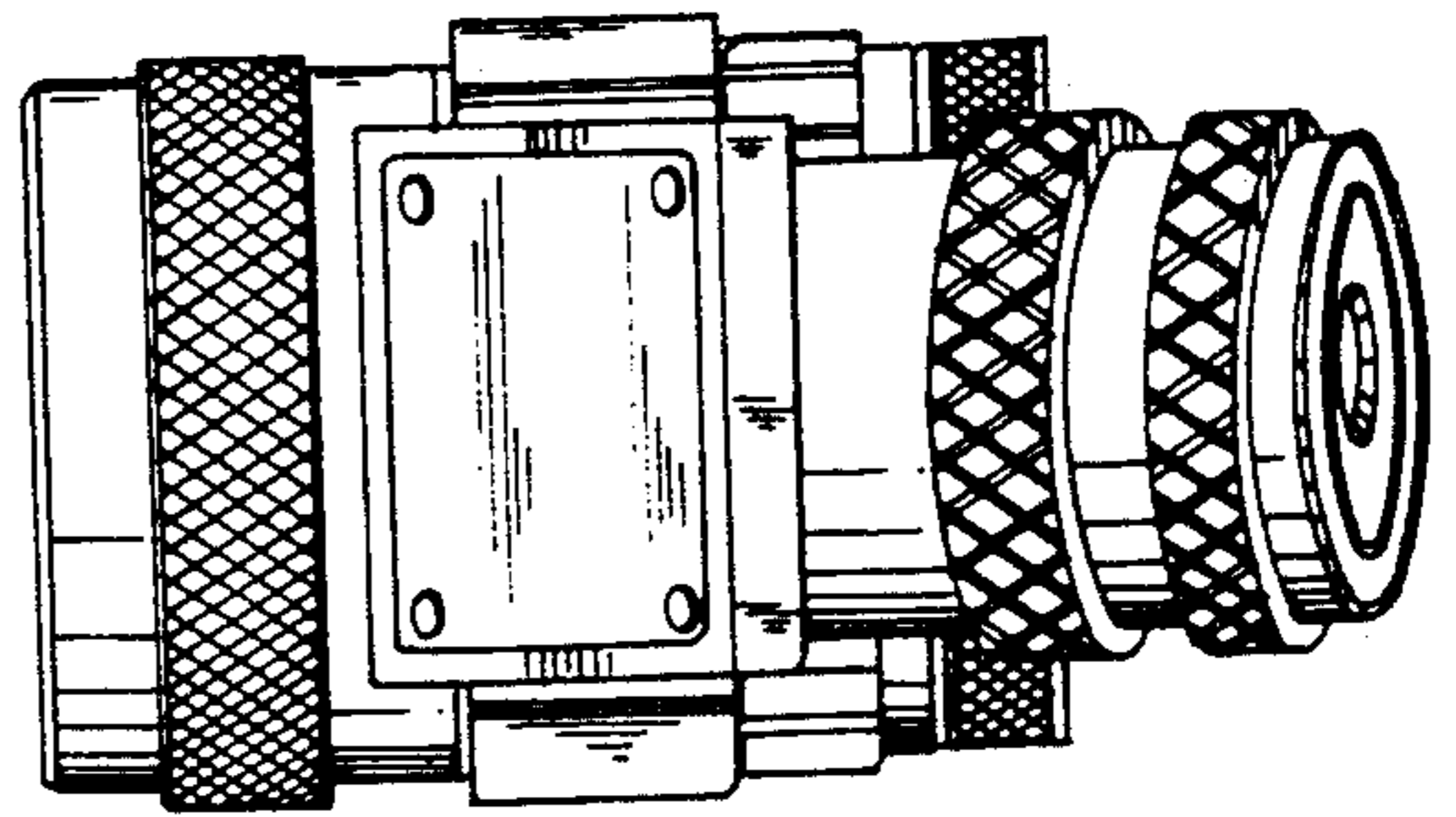


FIG. 5

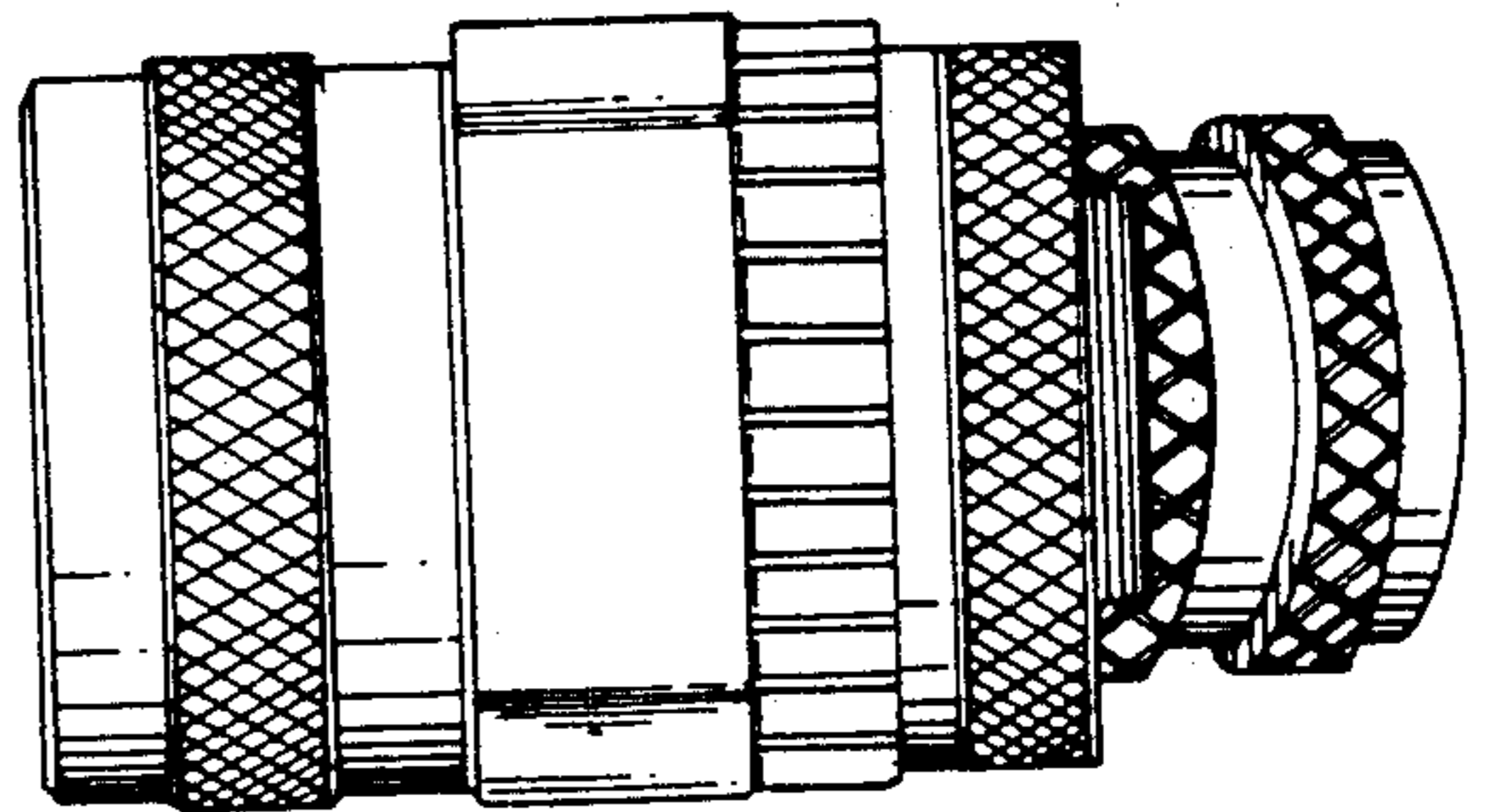


FIG. 6

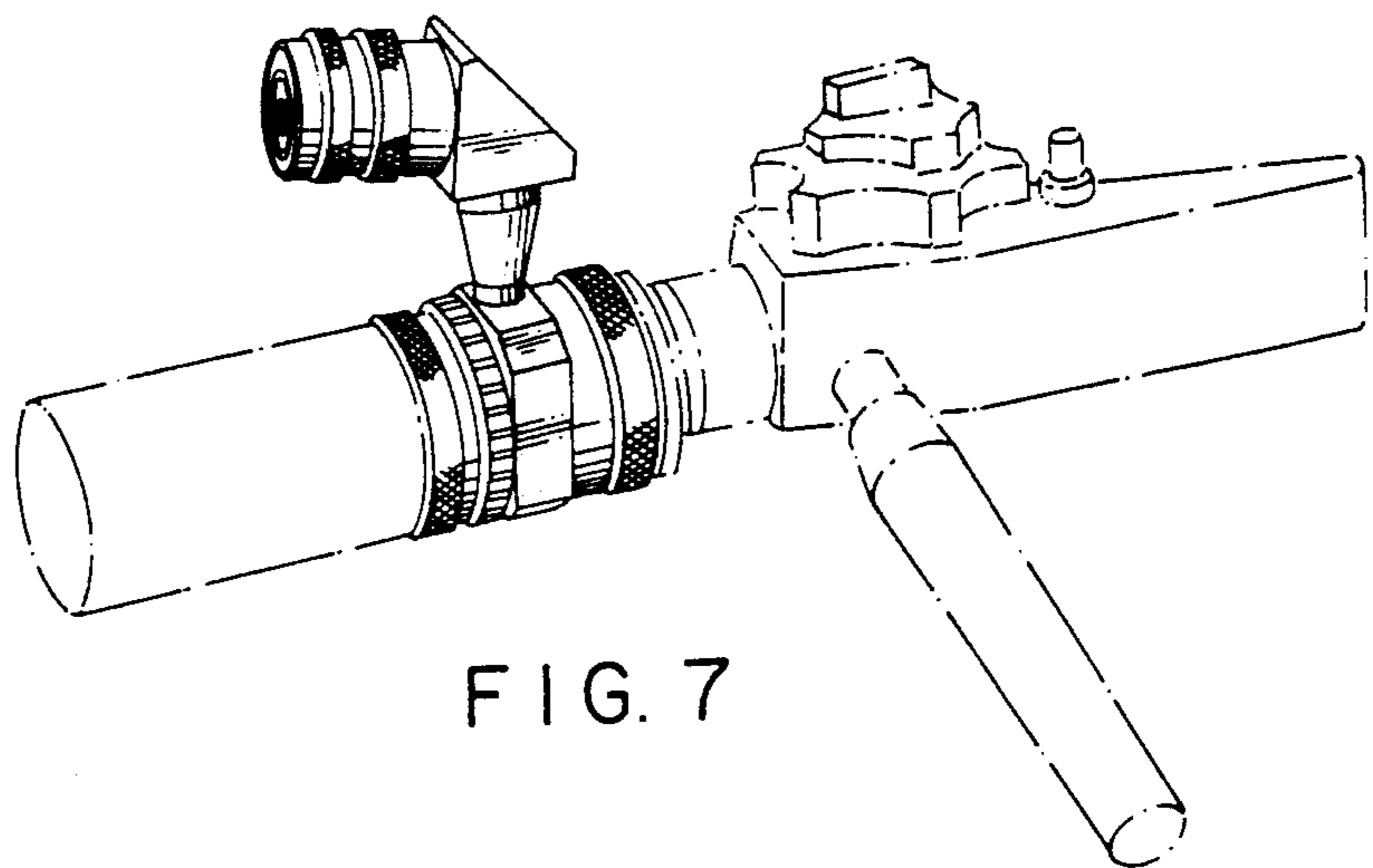


FIG. 7