

[54] CLUTCH SPRING RETAINER PLATE

[76] Inventor: William E. Brown, P.O. Box 602, Franklin, Ohio 45005

[\*\*] Term: 14 Years

[21] Appl. No.: 619,541

[22] Filed: Jun. 11, 1984

[52] U.S. Cl. .... D15/148

[58] Field of Search ..... D15/148; 192/106.1, 192/106.2

[56] References Cited

U.S. PATENT DOCUMENTS

3,091,949	6/1963	Sink	192/106.2
4,440,283	4/1984	Nioloux	192/106.1
4,556,136	12/1985	Lech, Jr.	192/106.2
4,570,775	2/1986	Caray	192/106.1

Primary Examiner—B. J. Bullock  
Attorney, Agent, or Firm—Jacox & Meckstroth

[57] CLAIM

The ornamental design of a clutch spring retainer plate, substantially as shown and described.

DESCRIPTION

FIG. 1 is a perspective view of a clutch spring retainer plate showing my new design;  
 FIG. 2 is a perspective view of the side opposite that shown in FIG. 1;  
 FIG. 3 is a side elevational view of FIG. 1;  
 FIG. 4 is a side elevational view of FIG. 2;  
 FIG. 5 is an end elevational view taken from the right of FIG. 1, the end opposite being a mirror image;  
 FIG. 6 is a top plan view of FIG. 1, the bottom being substantially a mirror image.

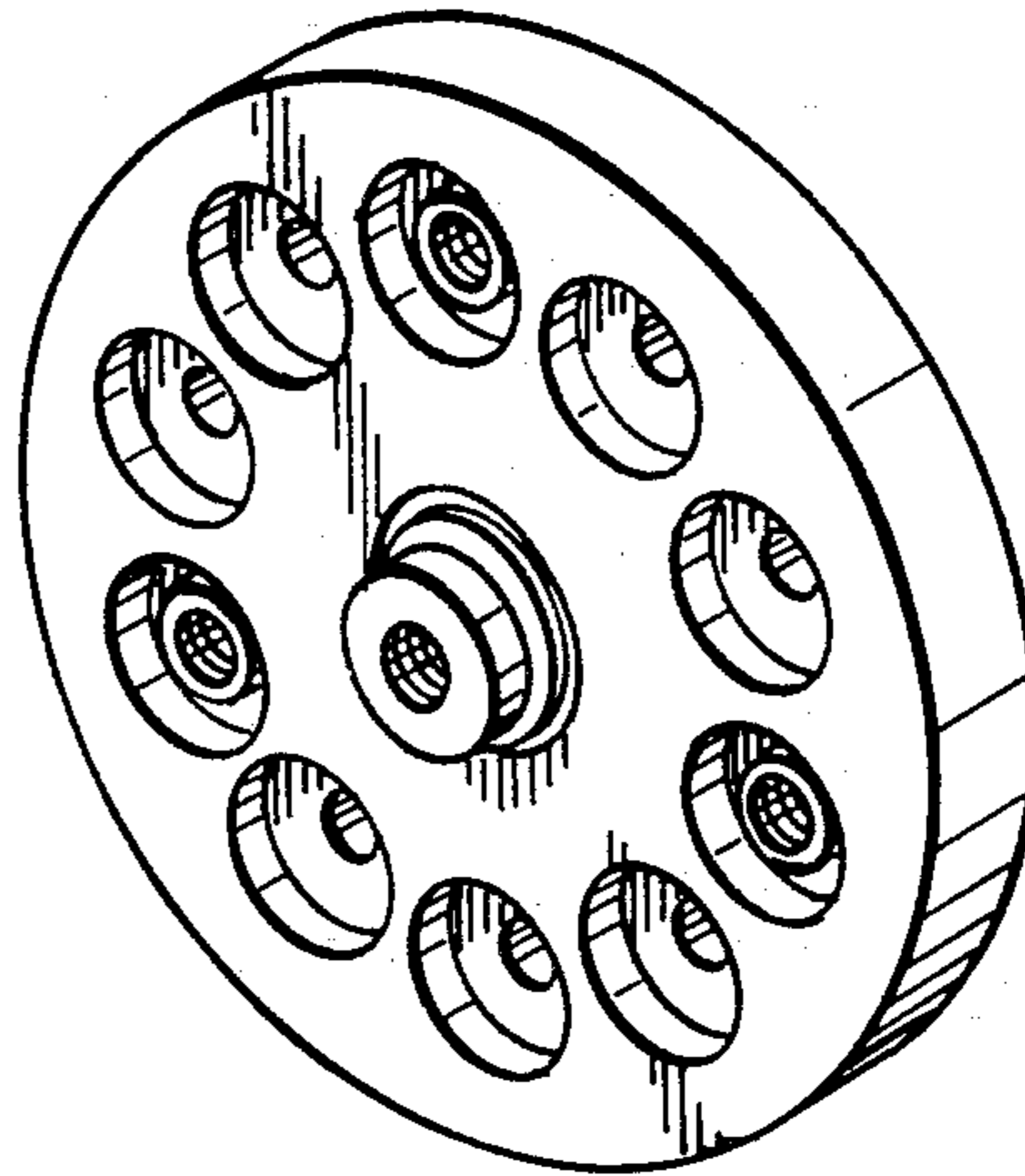
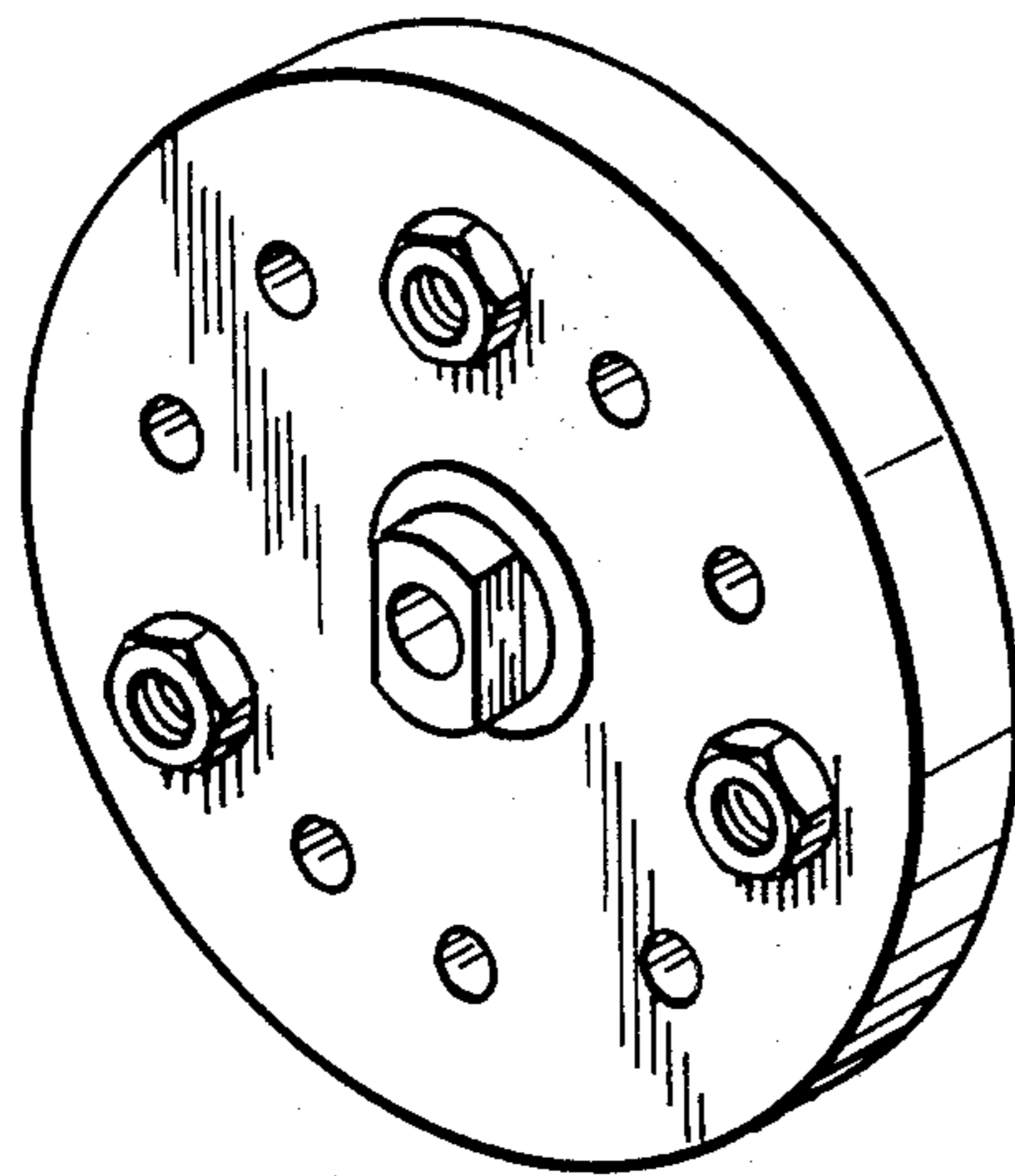


FIG-1

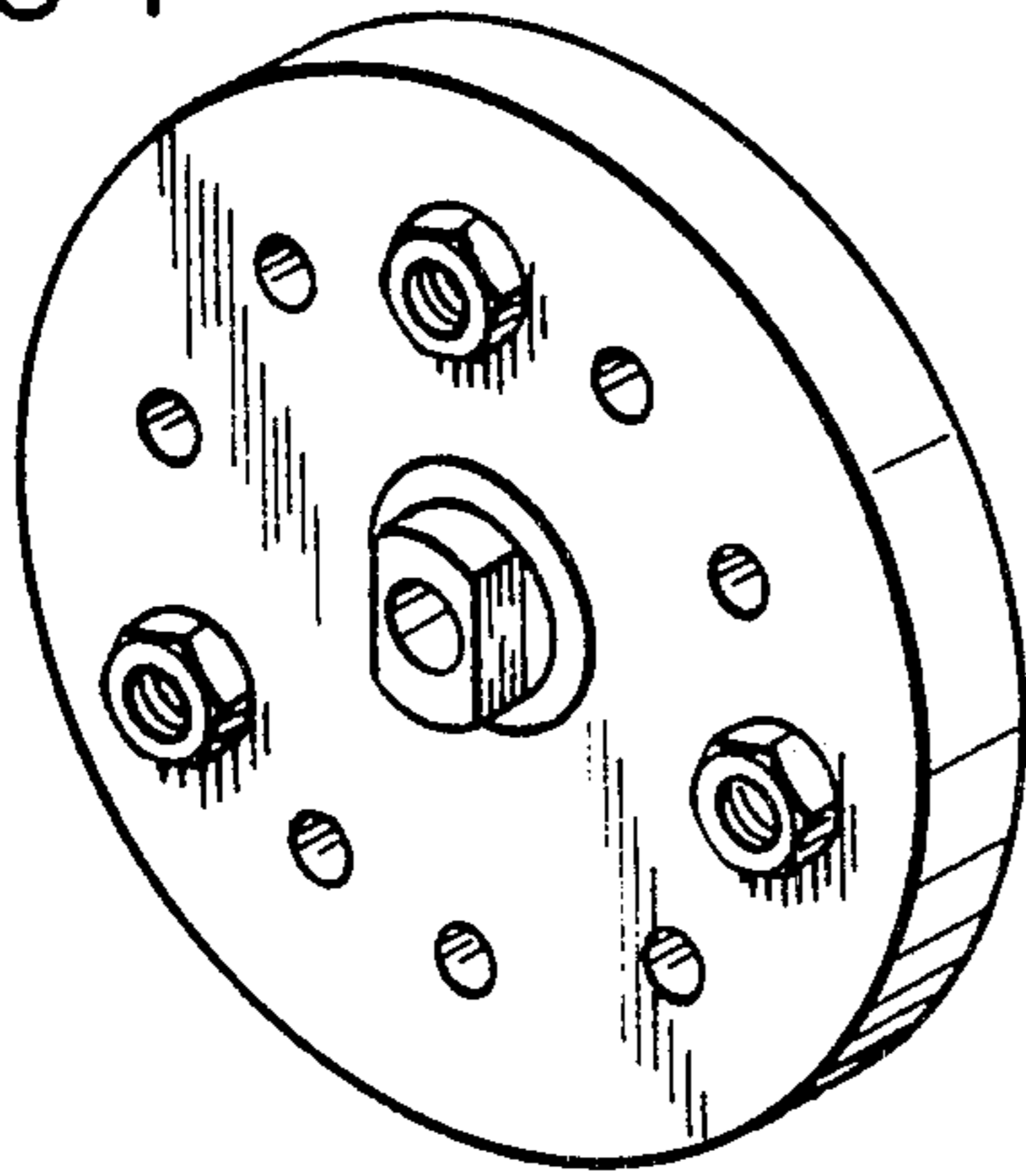


FIG-2

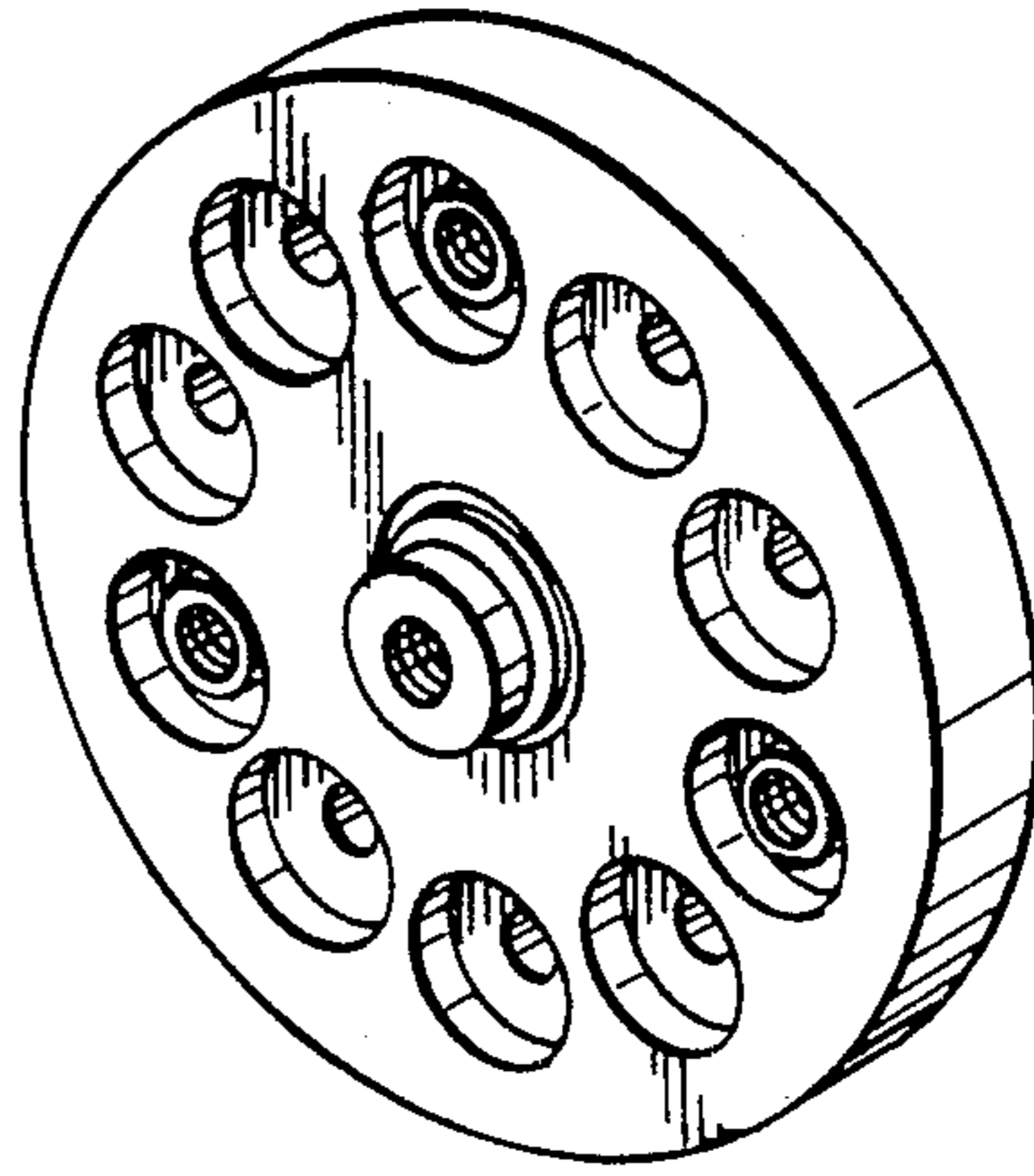


FIG-3

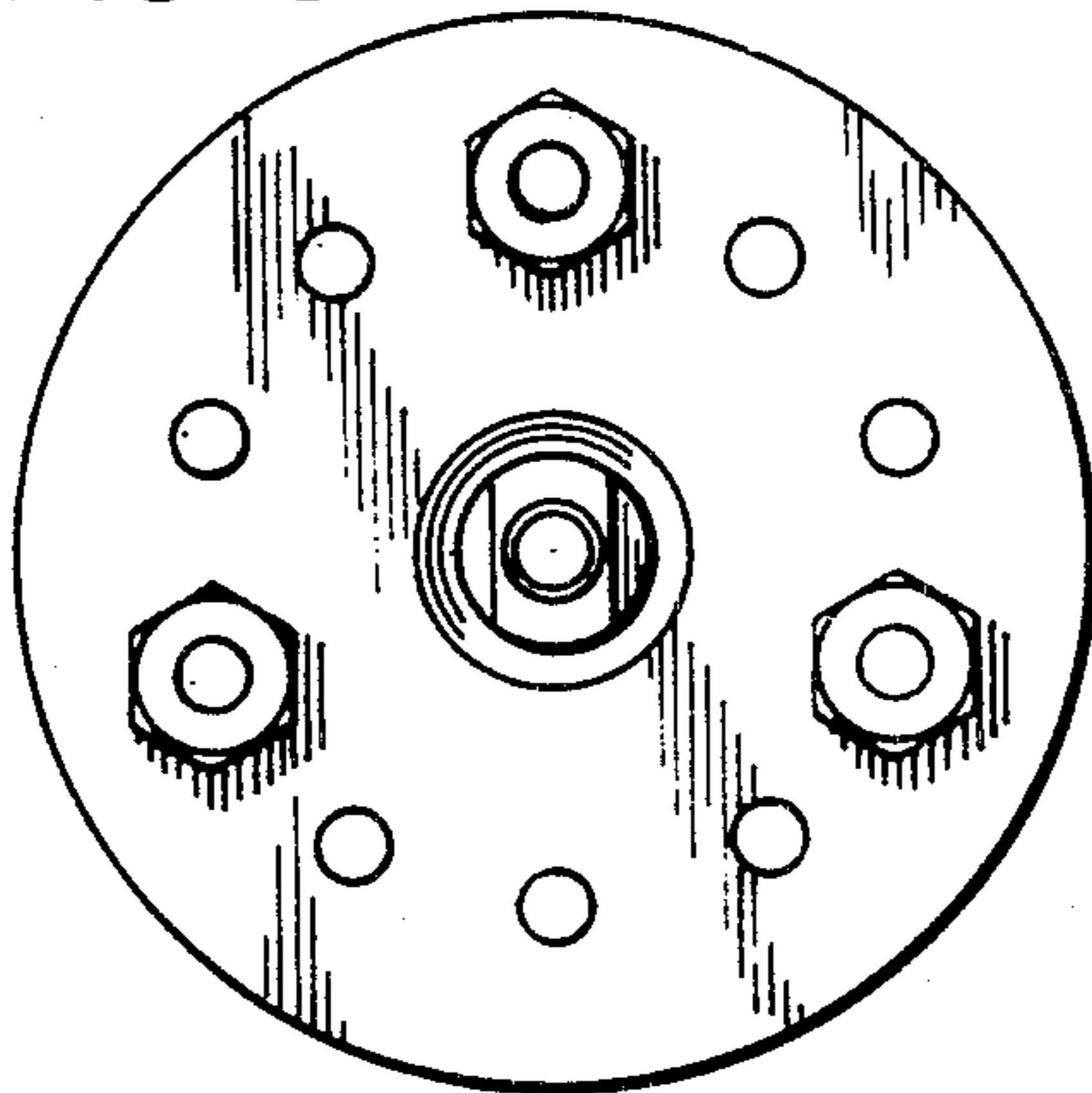


FIG-4

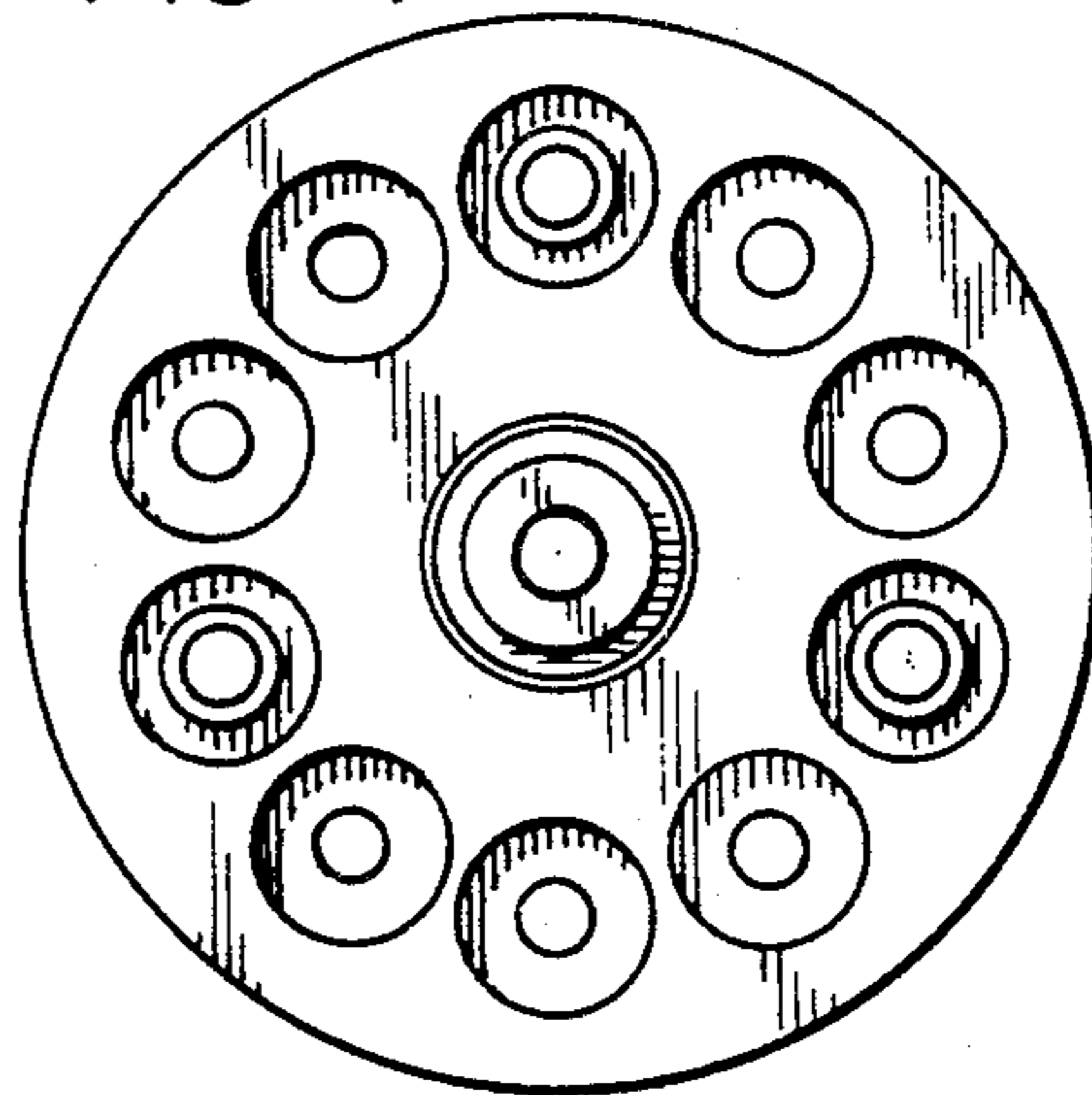


FIG-5

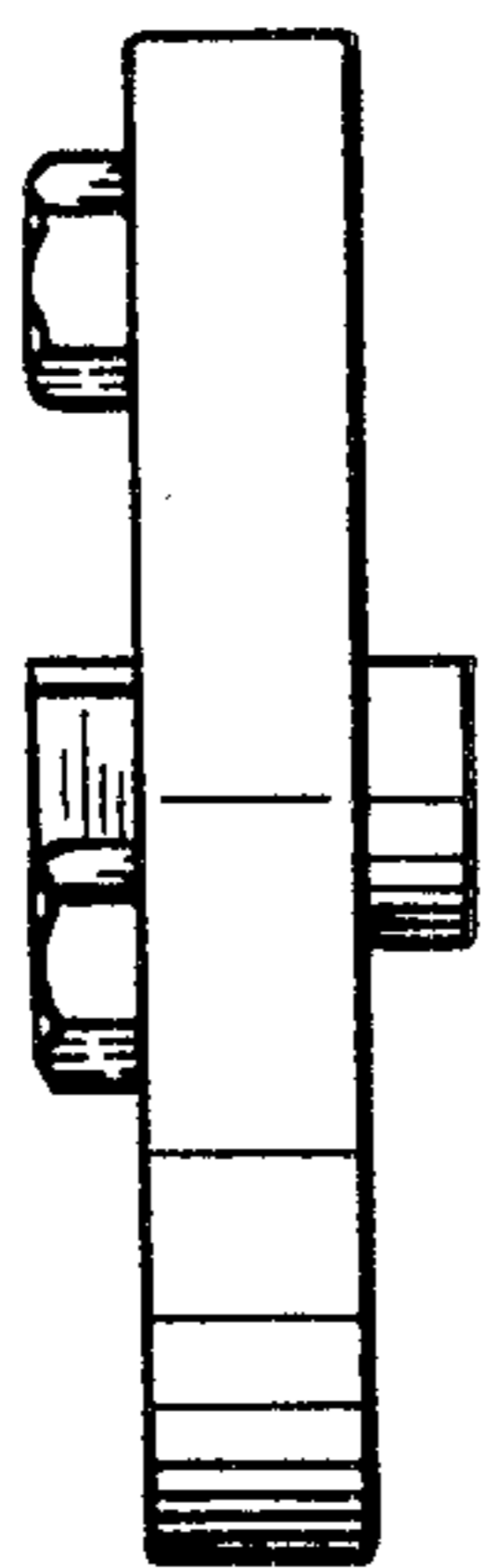


FIG-6

