

# United States Patent [19]

Nishimura

[11] Patent Number: **Des. 288,933**

[45] Date of Patent: **\*\* Mar. 24, 1987**

[54] BAND SAW

[75] Inventor: **Kikuo Nishimura, Kamakura, Japan**

[73] Assignee: **Nishimura Denki Kabushiki-Kaisha, Kanagawa, Japan**

[\*\*] Term: **14 Years**

[21] Appl. No.: **620,729**

[22] Filed: **Jun. 14, 1984**

[52] U.S. Cl. .... **D15/134**

[58] Field of Search ..... **D15/127, 133, 134;**  
**83/788, 810, 811**

[56] **References Cited**

**U.S. PATENT DOCUMENTS**

D. 277,822 3/1985 Doggett ..... **D15/134**  
3,566,731 3/1971 Ensley ..... **83/811**

3,799,024 3/1974 Alexander ..... **83/811**  
4,454,795 6/1984 Ellis ..... **D15/134**  
4,487,097 12/1984 Hara et al. .... **D15/134**

*Primary Examiner*—**B. J. Bullock**  
*Attorney, Agent, or Firm*—**Fred Philpitt**

[57] **CLAIM**

The ornamental design for a band saw, as shown and described.

**DESCRIPTION**

FIG. 1 is a front view of a band saw embodying my design;

FIG. 2 is a rear view thereof;

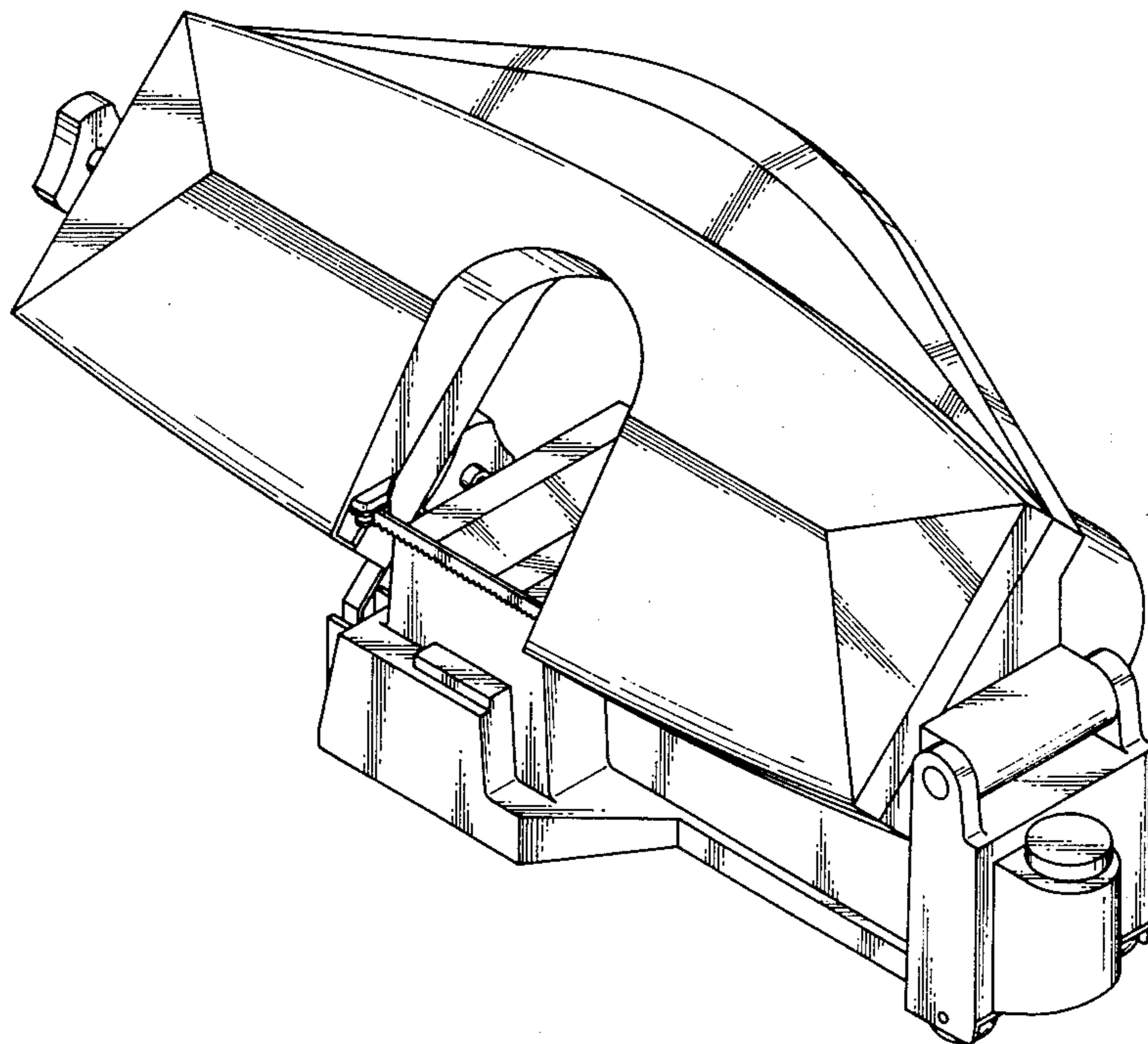
FIG. 3 is a top view thereof;

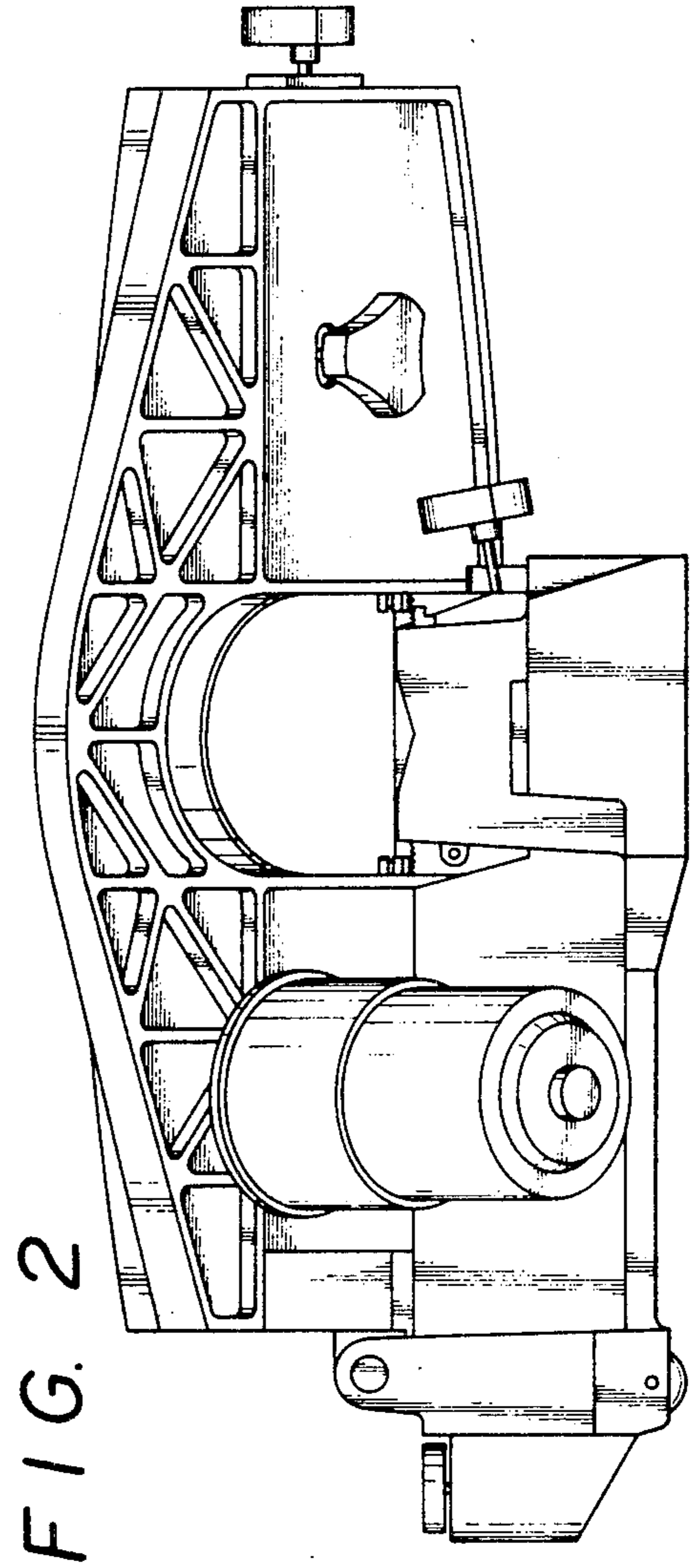
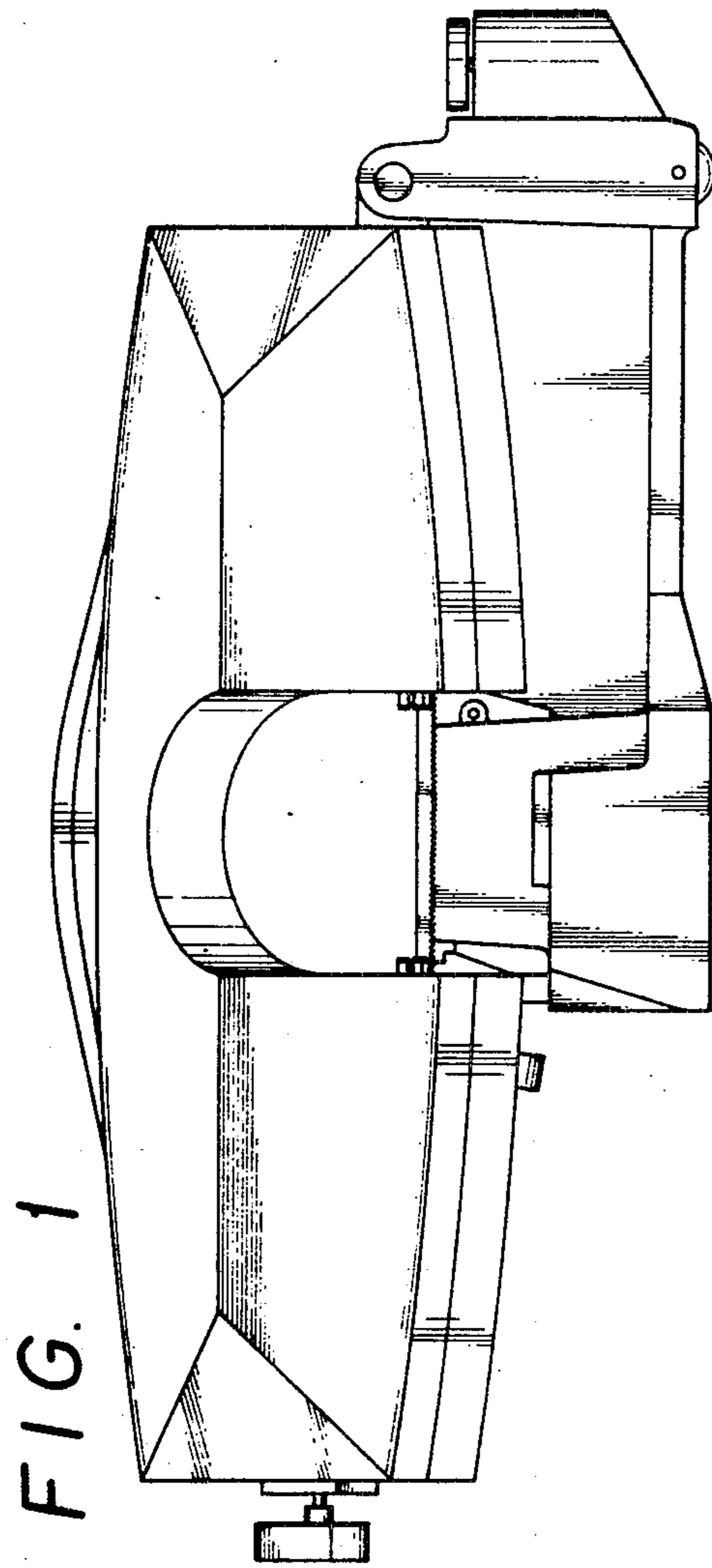
FIG. 4 is a bottom view thereof;

FIG. 5 is a left side view thereof;

FIG. 6 is a right side view thereof;

FIG. 7 is a perspective view thereof.





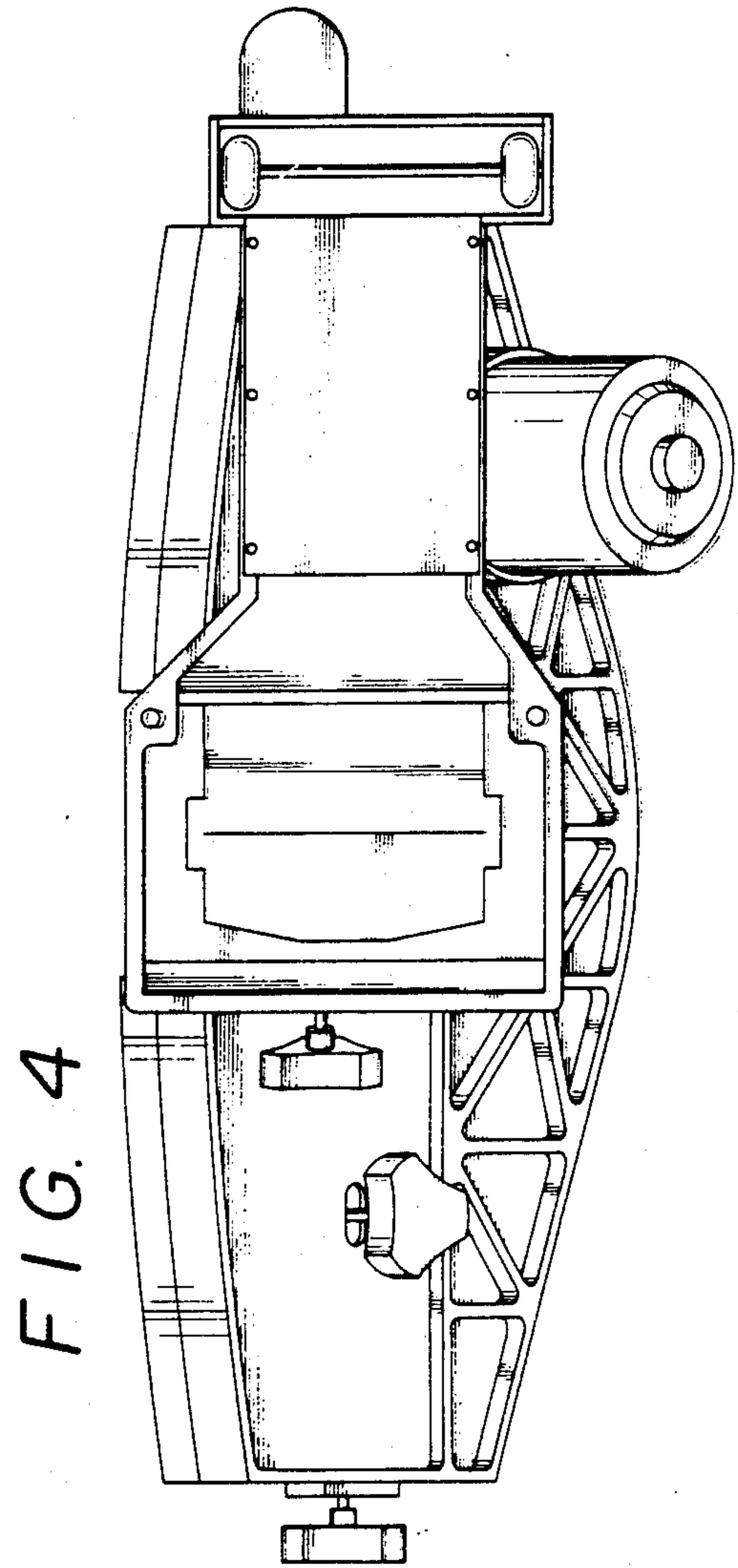
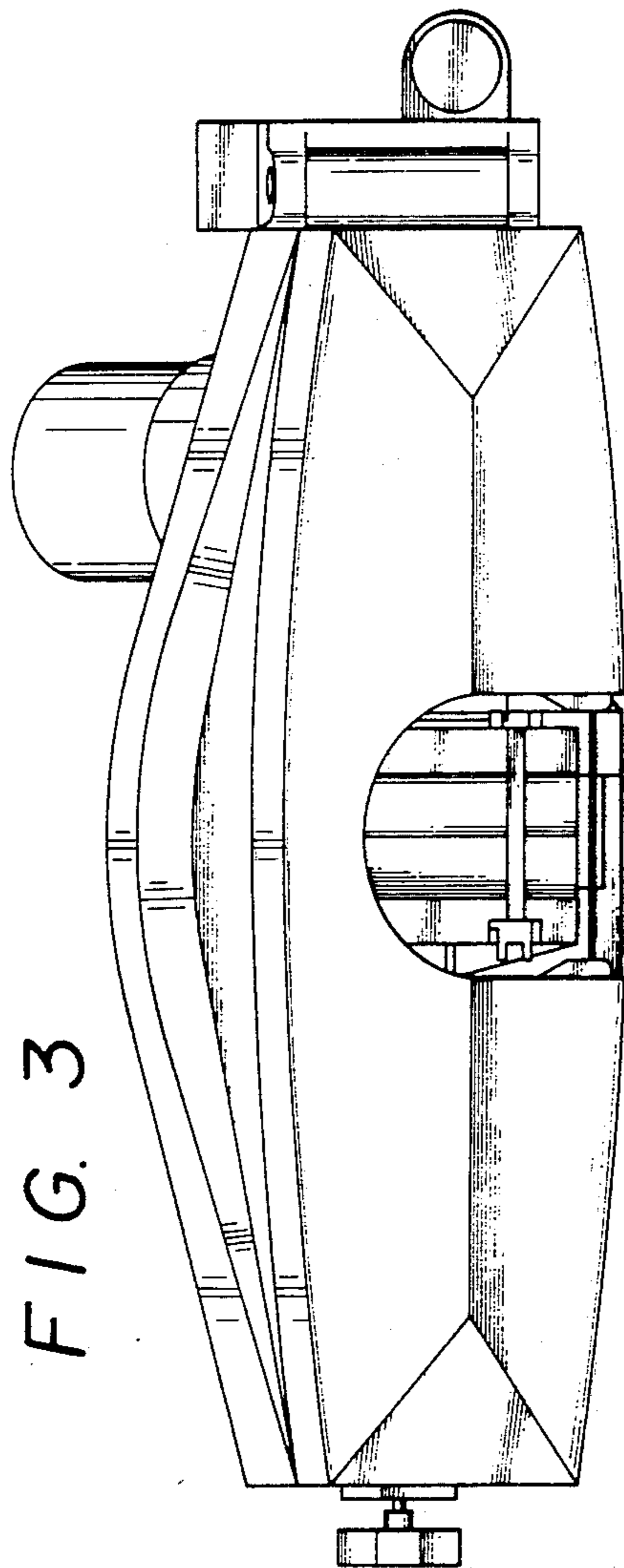


FIG. 5

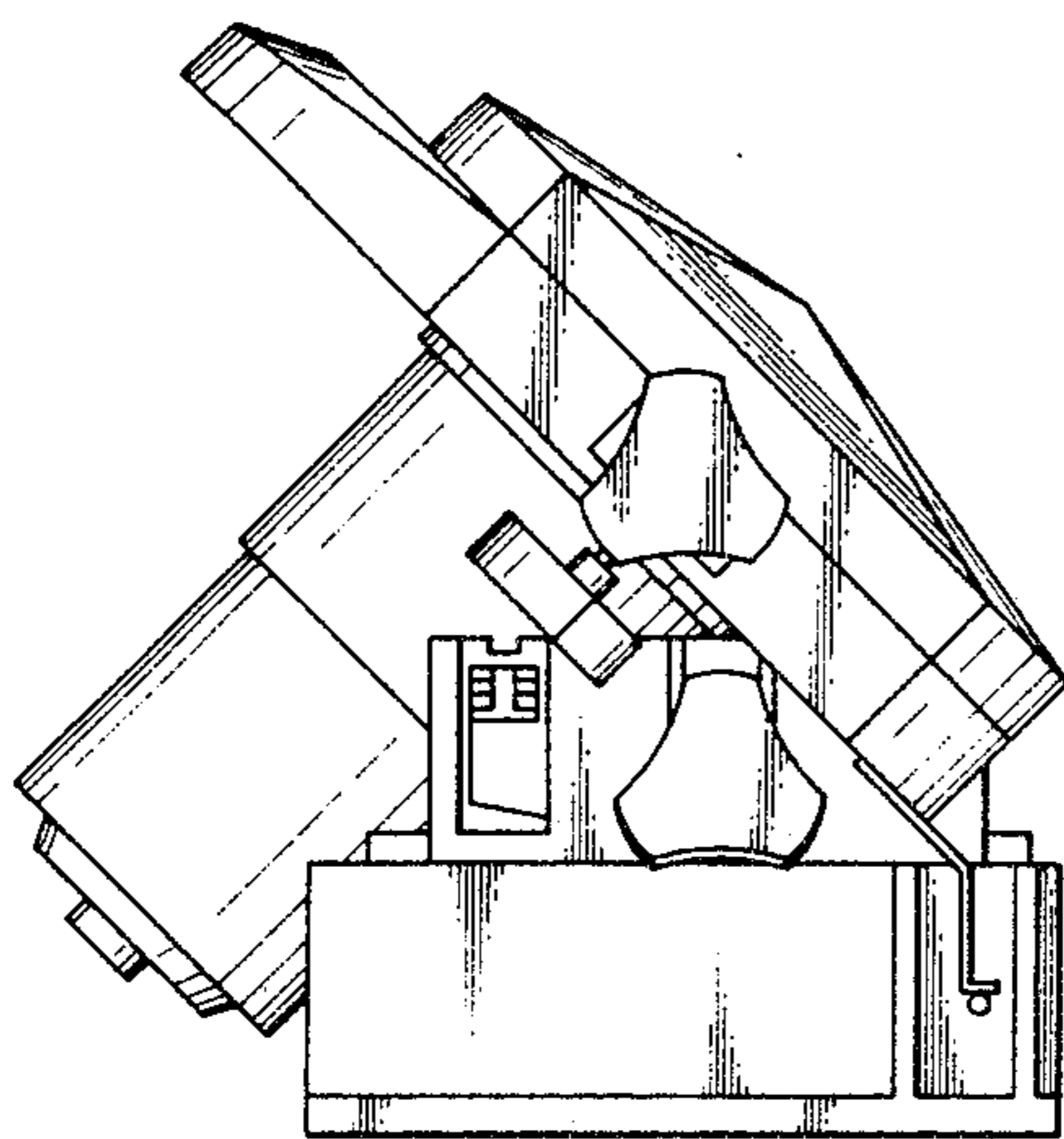


FIG. 6

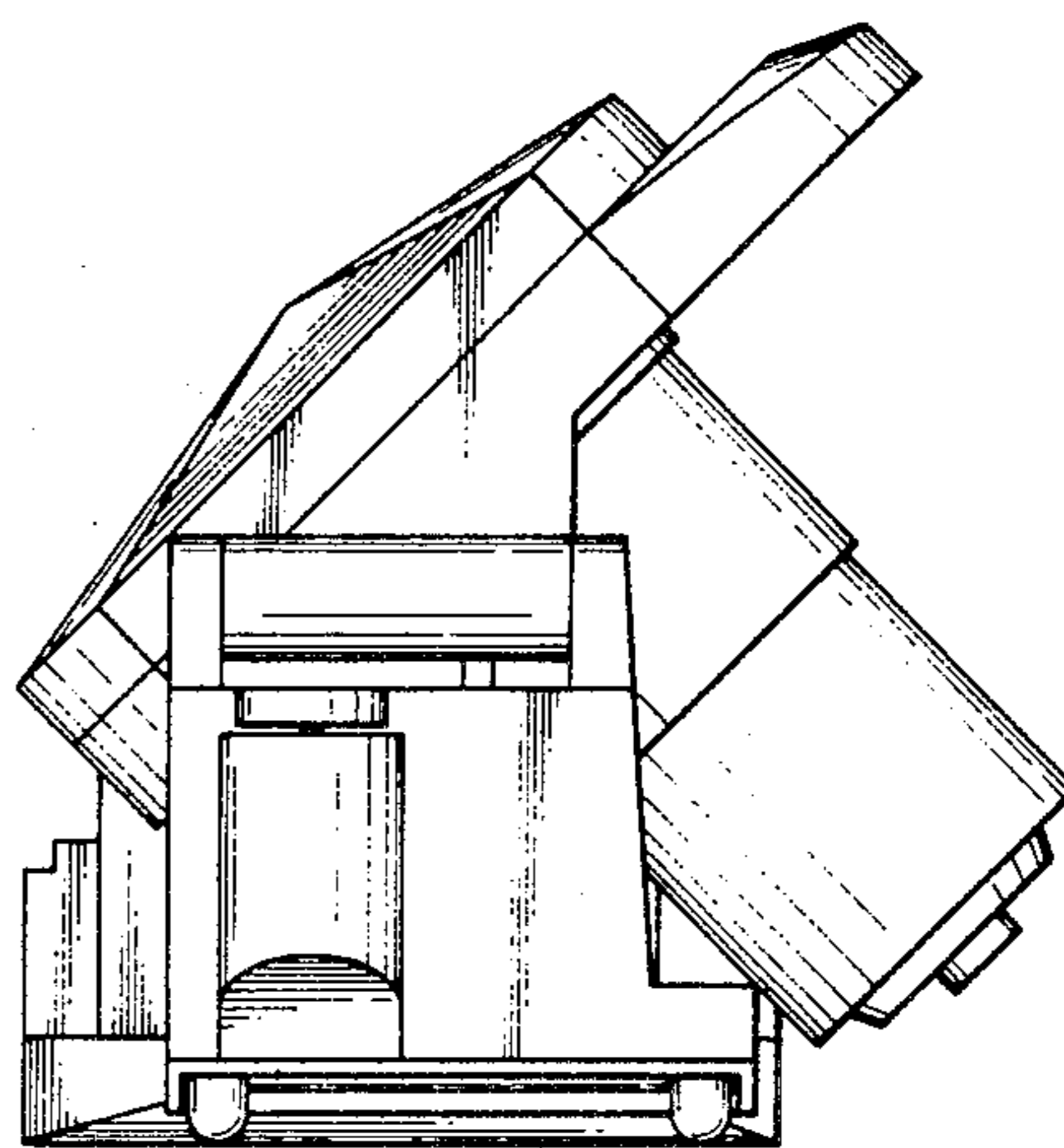


FIG. 7

