

[54] FUEL DISPENSING UNIT

[75] Inventors: Greg Gabourie, Ajax; Rod Senior; Glen Crolly, both of Don Mills, all of Canada

[73] Assignee: Ultramar Canada Inc., Don Mills, Canada

[**] Term: 14 Years

[21] Appl. No.: 606,114

[22] Filed: May 2, 1984

[30] Foreign Application Priority Data

Nov. 3, 1983 [CA] Canada 03-11-83-5
[52] U.S. Cl. D15/9.2; D15/9.1
[58] Field of Search D15/9.1-9.3; 141/382-386; 222/14-22, 74

[56] References Cited

U.S. PATENT DOCUMENTS

D. 181,354	11/1957	Greene	D15/9.2
D. 207,602	5/1967	Freed	D15/9.2
D. 235,917	7/1975	Hickey et al.	D15/9.1
D. 252,994	9/1979	Pettingill	D15/9.2
1,718,393	6/1929	Thompson	222/74 X
3,199,727	8/1965	Romanowski	222/20
3,883,042	5/1975	Junker	222/74 X
3,921,684	11/1975	Allen	141/382 X
4,217,993	8/1980	Jess et al.	222/14

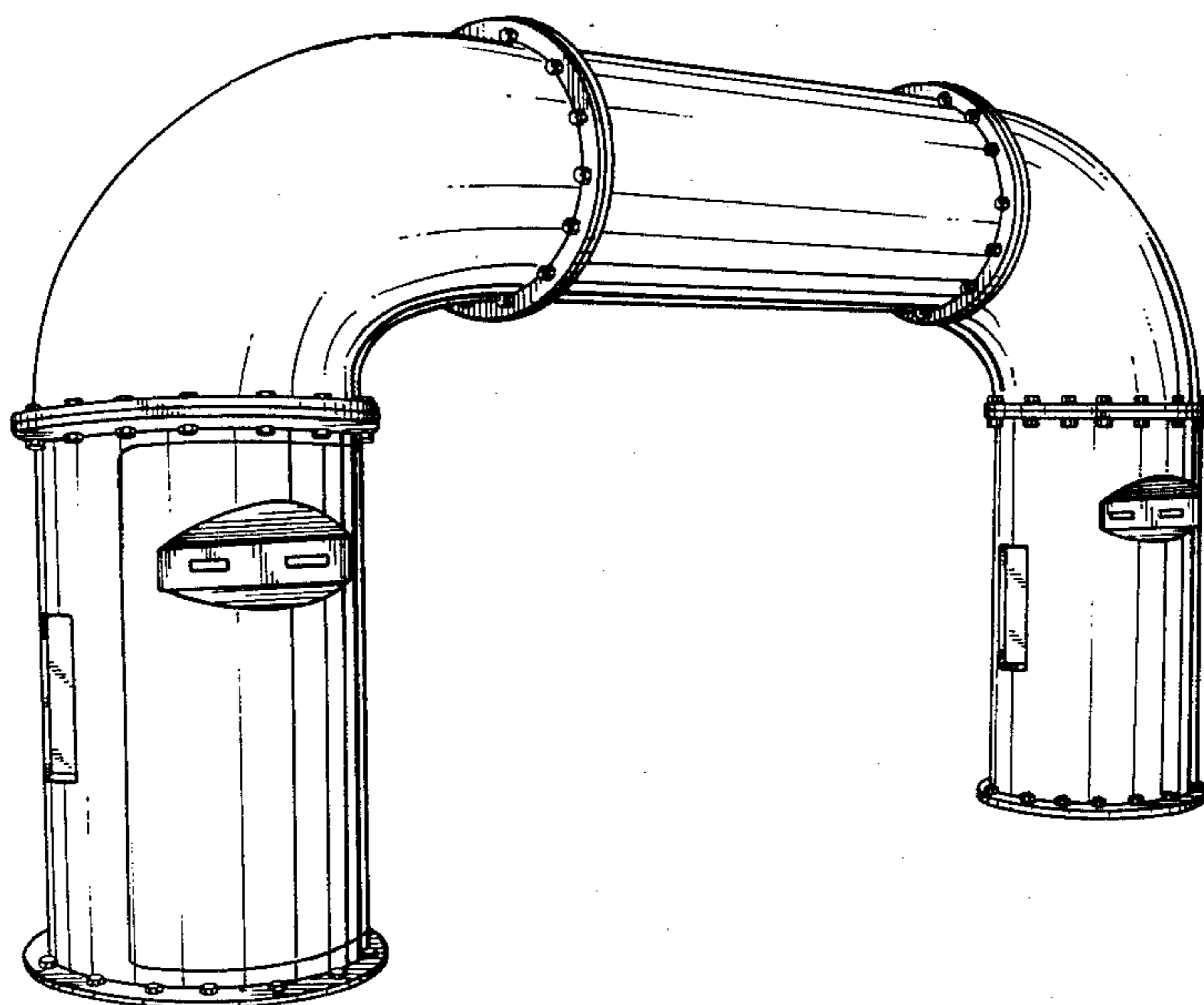
Primary Examiner—Charles A. Rademaker
Assistant Examiner—Linda Titolo
Attorney, Agent, or Firm—Jordan and Hamburg

[57] CLAIM

The ornamental design for a fuel dispensing unit, as shown and described.

DESCRIPTION

FIG. 1 is a front perspective view of a fuel dispensing unit, showing our new design; and FIG. 2 is a rear perspective view thereof.



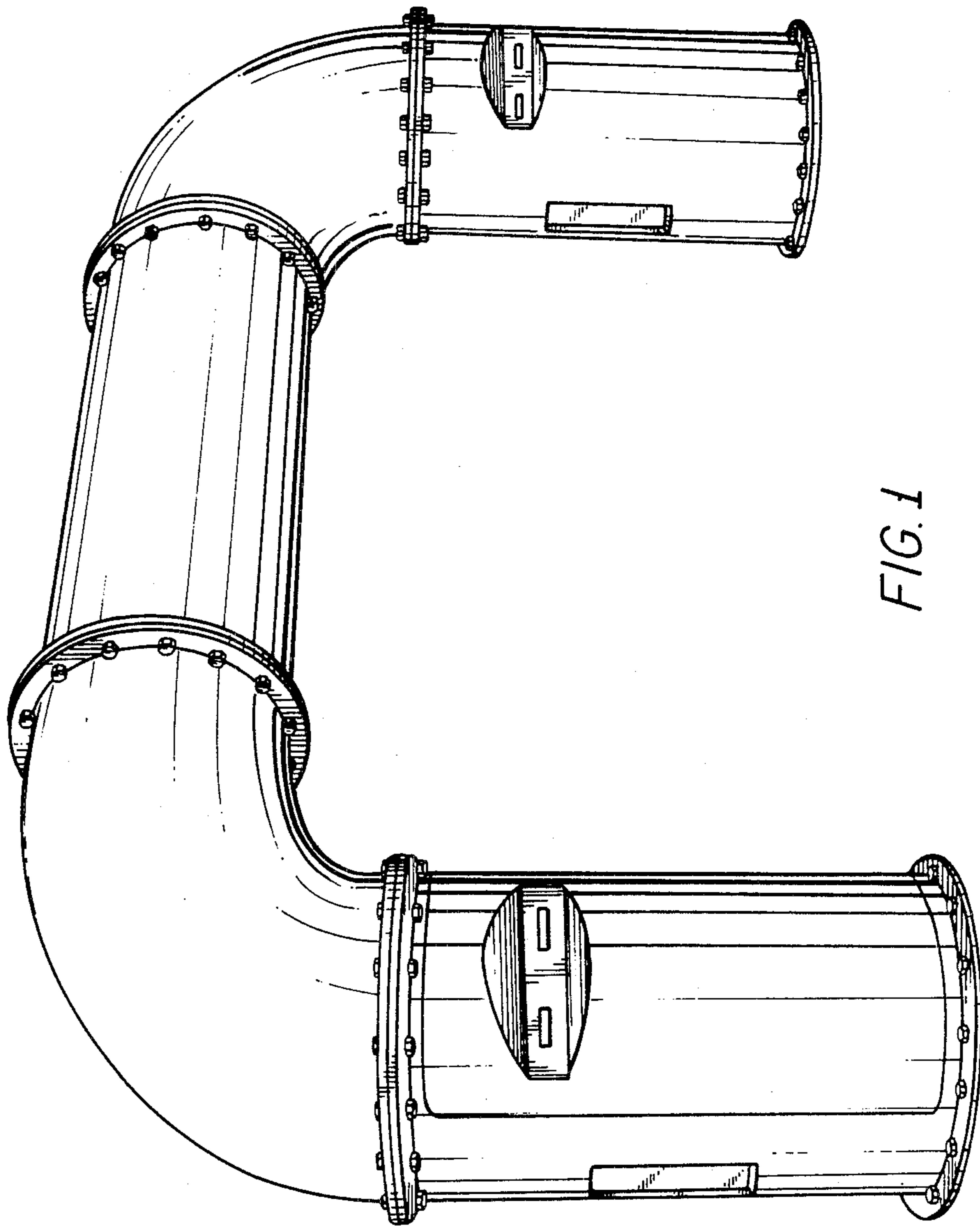


FIG. 1

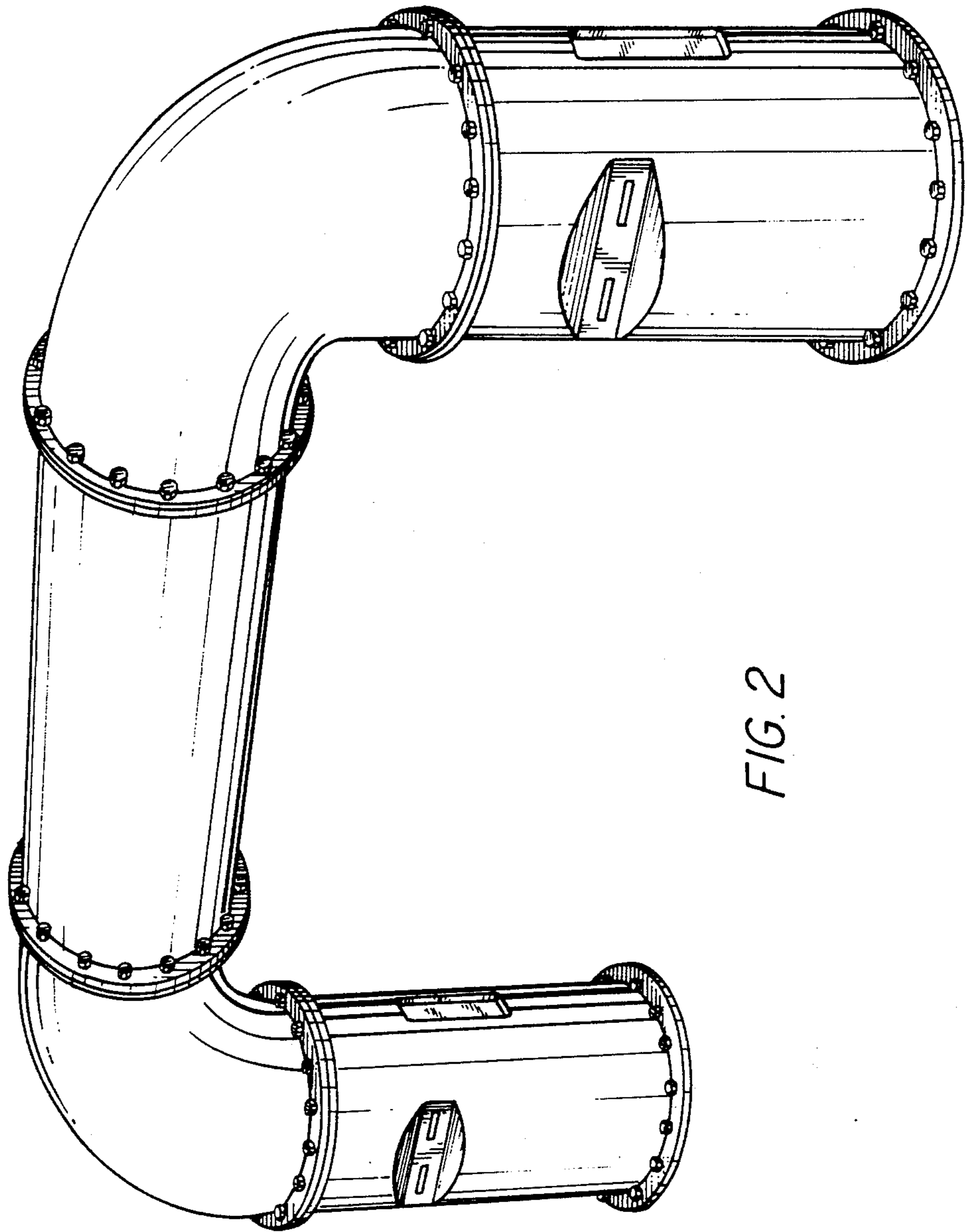


FIG. 2