

[54] DUAL WHEEL COMBINATION LOCK FOR LUGGAGE OR SIMILAR ARTICLE

[75] Inventor: Urs Gisiger, Selzach, Switzerland

[73] Assignee: Amiet AG, Oberdorf, Switzerland

[**] Term: 14 Years

[21] Appl. No.: 554,080

[22] Filed: Nov. 21, 1983

[30] Foreign Application Priority Data

Jun. 1, 1983 [CH] Switzerland 73243

[52] U.S. Cl. D8/330

[58] Field of Search D8/330, 331, 338, 339, D8/341, 344; 70/312, 306, 316, DIG. 26, DIG. 42; D3/76; 292/DIG. 48, DIG. 49, 177

[56] References Cited

U.S. PATENT DOCUMENTS

D. 191,372	9/1961	Storey	D8/338
D. 201,988	8/1965	Gehrie	D8/341
D. 209,083	10/1967	Gehrie	D8/338
D. 233,959	12/1974	Bako	D8/331
D. 253,747	12/1979	Stolarz	D8/338
D. 270,425	9/1983	Stolarz	D8/341
D. 274,305	6/1984	Gisiger	D8/338
D. 275,823	10/1984	Seynhaeve	D3/76
D. 276,130	10/1984	Gisiger	D8/330
2,007,663	7/1935	Rapp	70/306
3,776,006	12/1973	Atkinson	70/312

3,973,419	8/1976	Atkinson	70/312
4,155,234	5/1979	Bako	70/312
4,324,120	4/1982	Gisiger	70/312
4,385,509	5/1983	Milles	70/312

FOREIGN PATENT DOCUMENTS

913134	7/1948	Fed. Rep. of Germany	.	
2000769	7/1971	Fed. Rep. of Germany	70/312
2030208	4/1980	United Kingdom	70/312

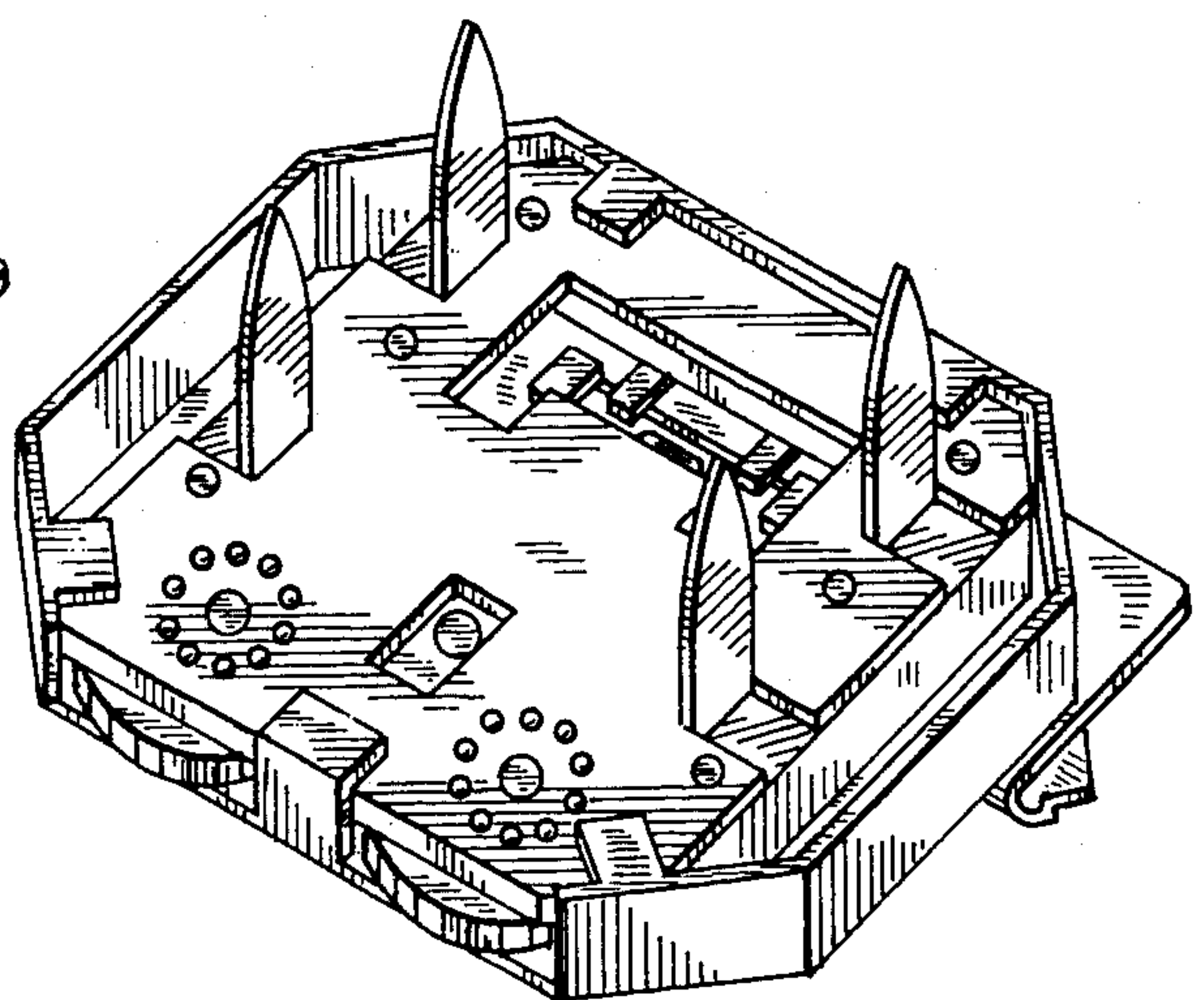
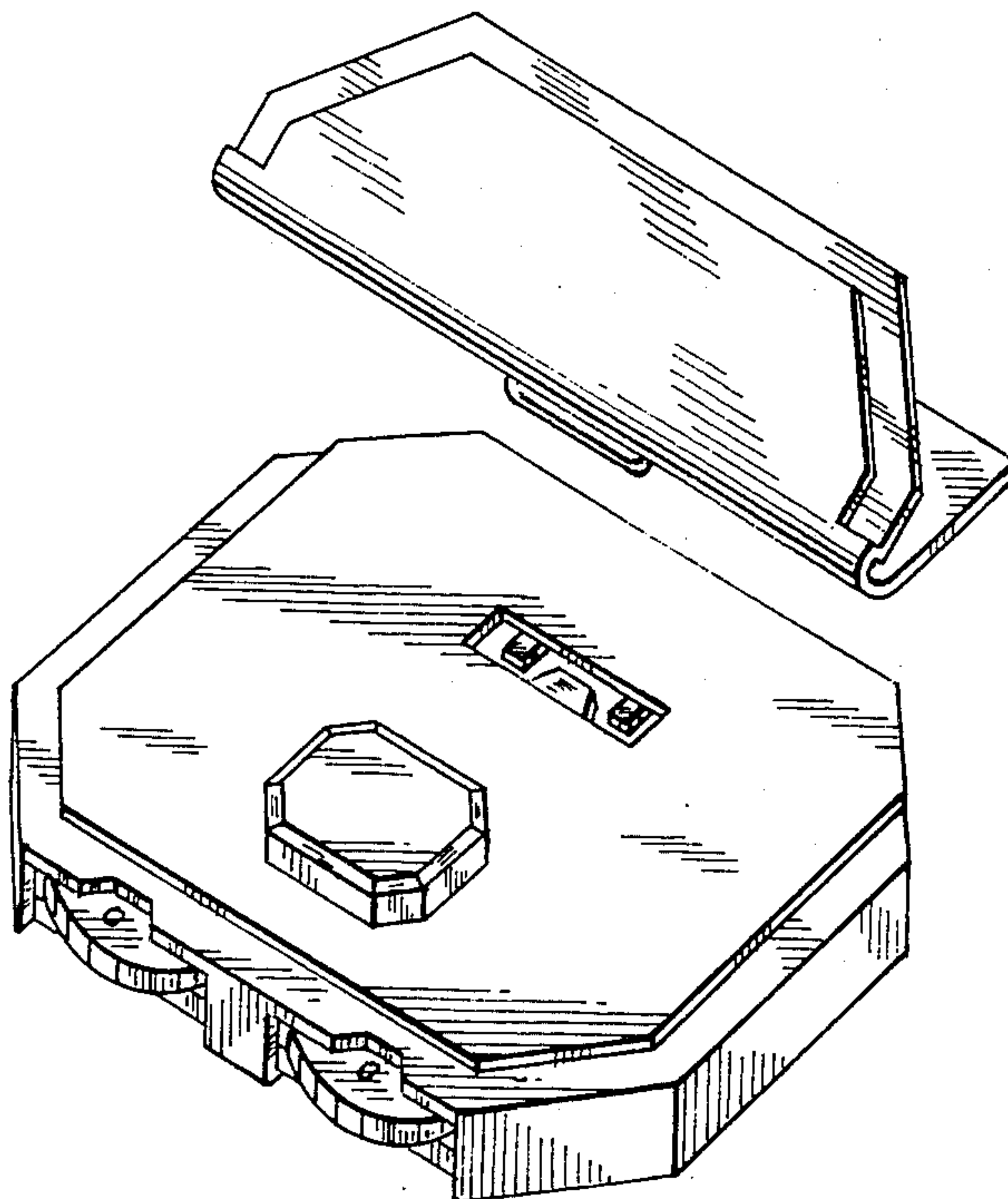
Primary Examiner—Wallace R. Burke
Assistant Examiner—Horace B. Fay
Attorney, Agent, or Firm—Werner W. Kleeman

[57] CLAIM

The ornamental design for a dual wheel combination lock for luggage or similar article, as shown and described.

DESCRIPTION

FIGS. 1 and 2 are respectively top front and bottom perspective views, in mounted, closed position, of a dual wheel combination lock for luggage or similar article showing my new design;
FIGS. 3 and 4 are respectively exploded front and left side elevational views thereof, with the right side being a mirror image of the left;
FIGS. 5 and 7 are respectively top and bottom plan views thereof; and
FIGS. 6 and 8 are respectively exploded front perspective and rear elevational views thereof.



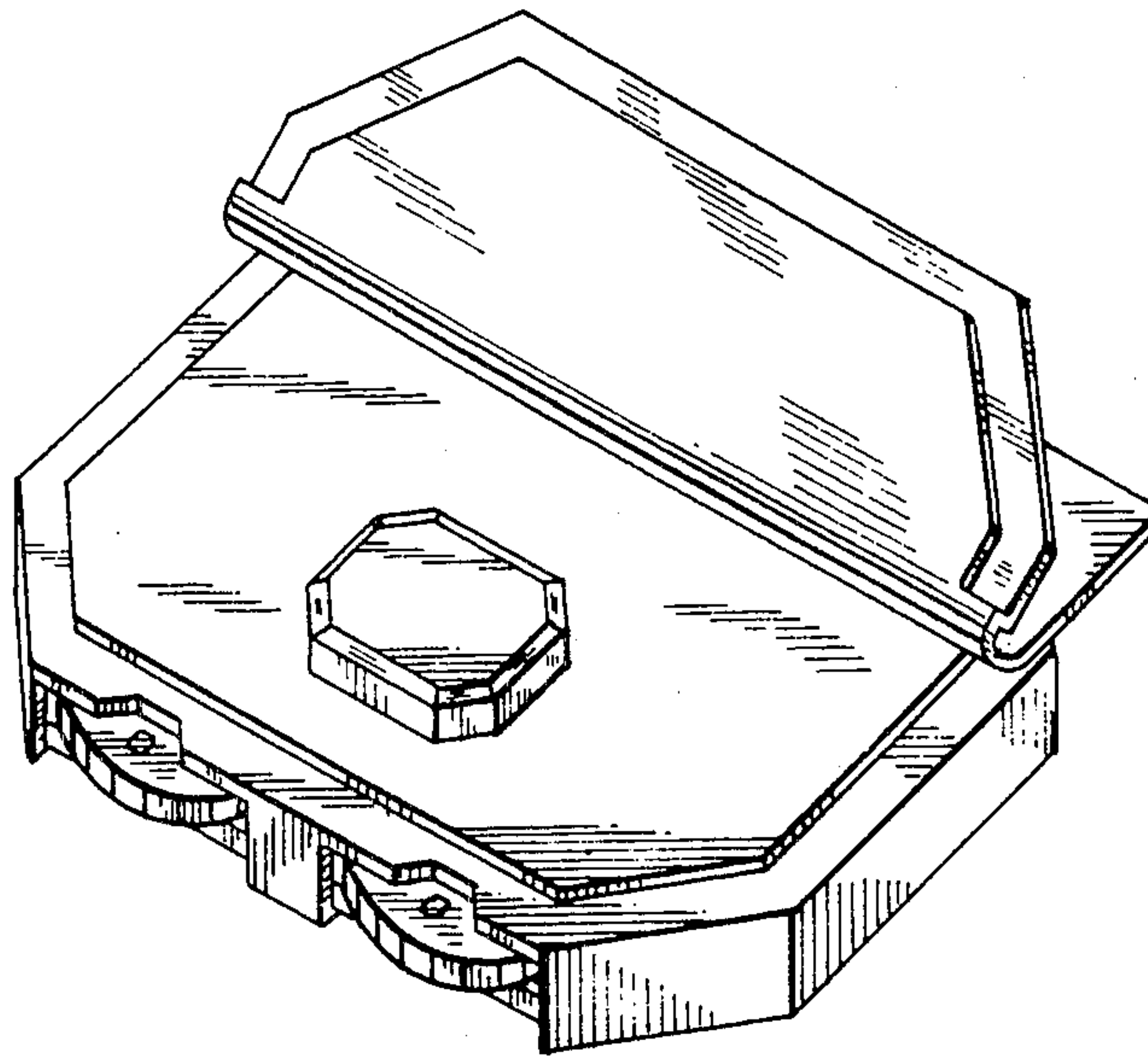


Fig. 1

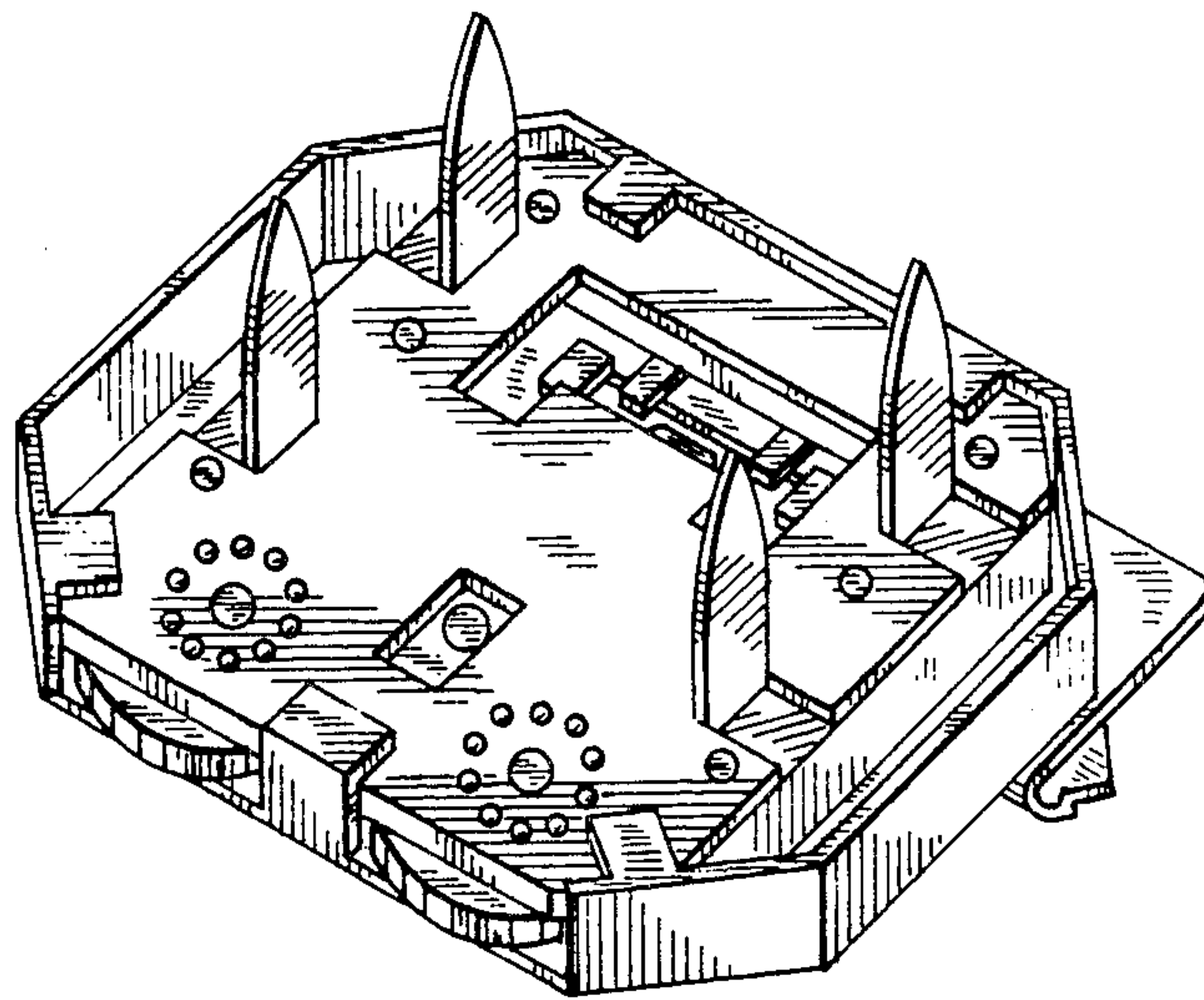


Fig. 2

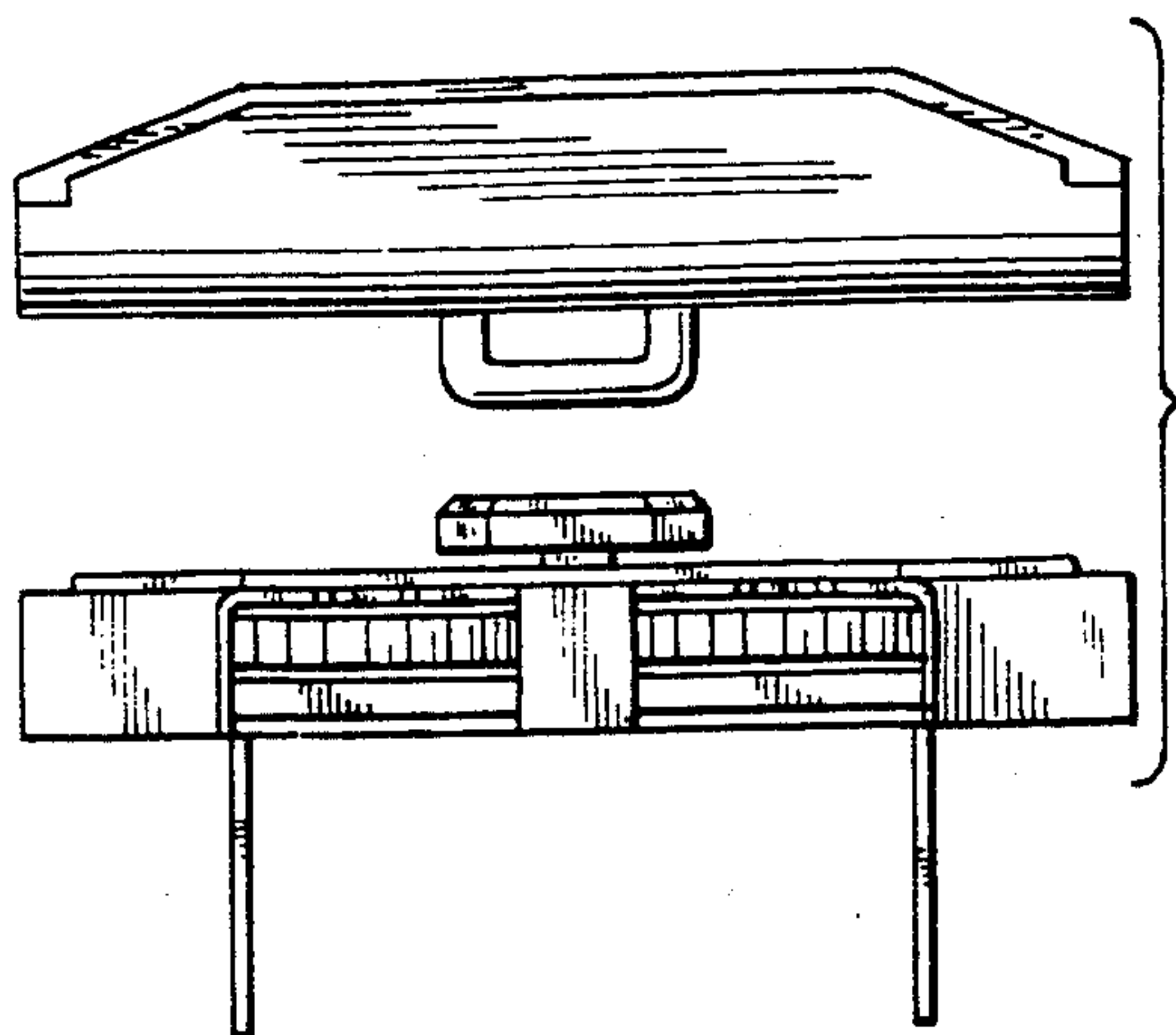


Fig. 3

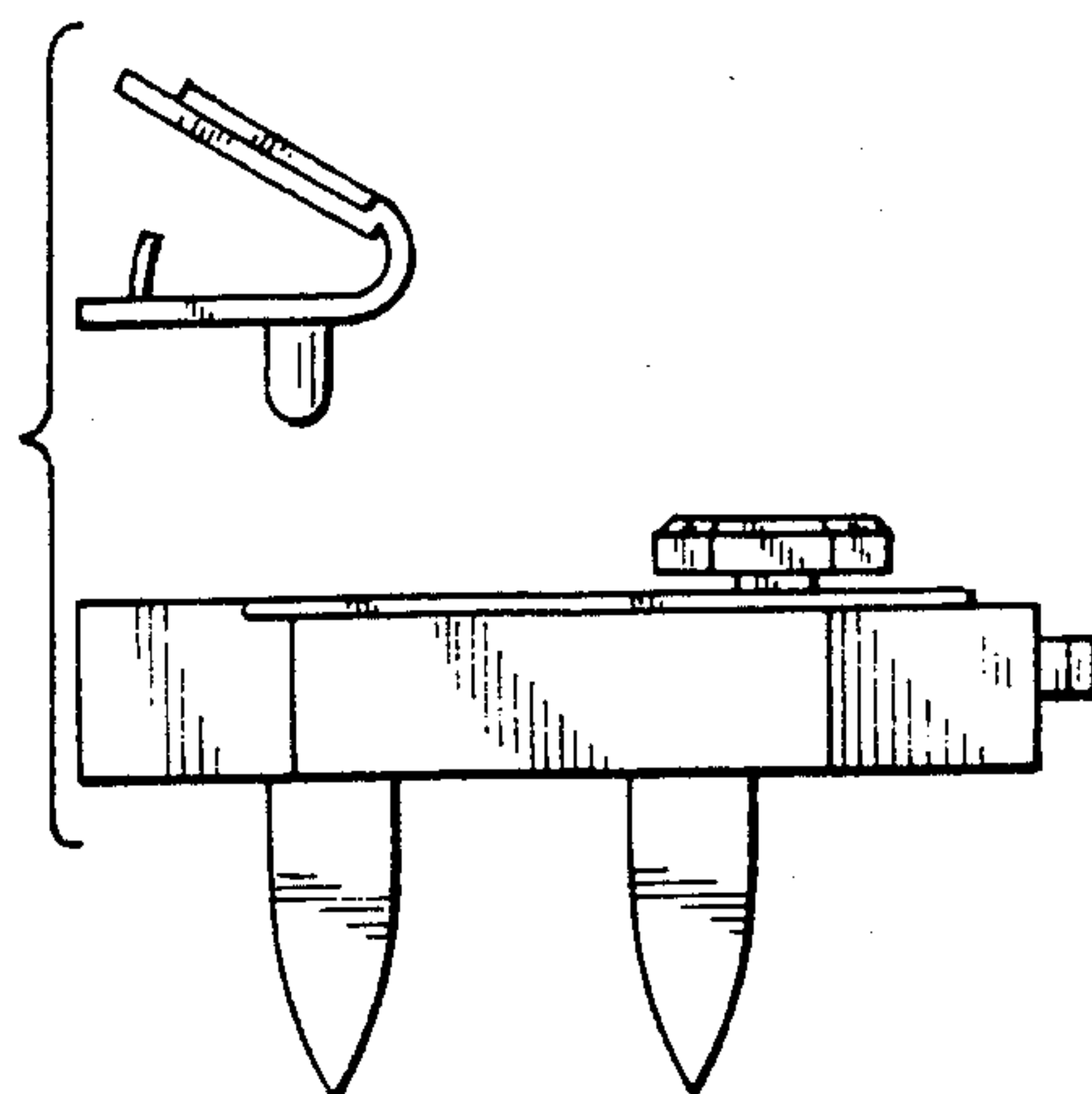


Fig. 4

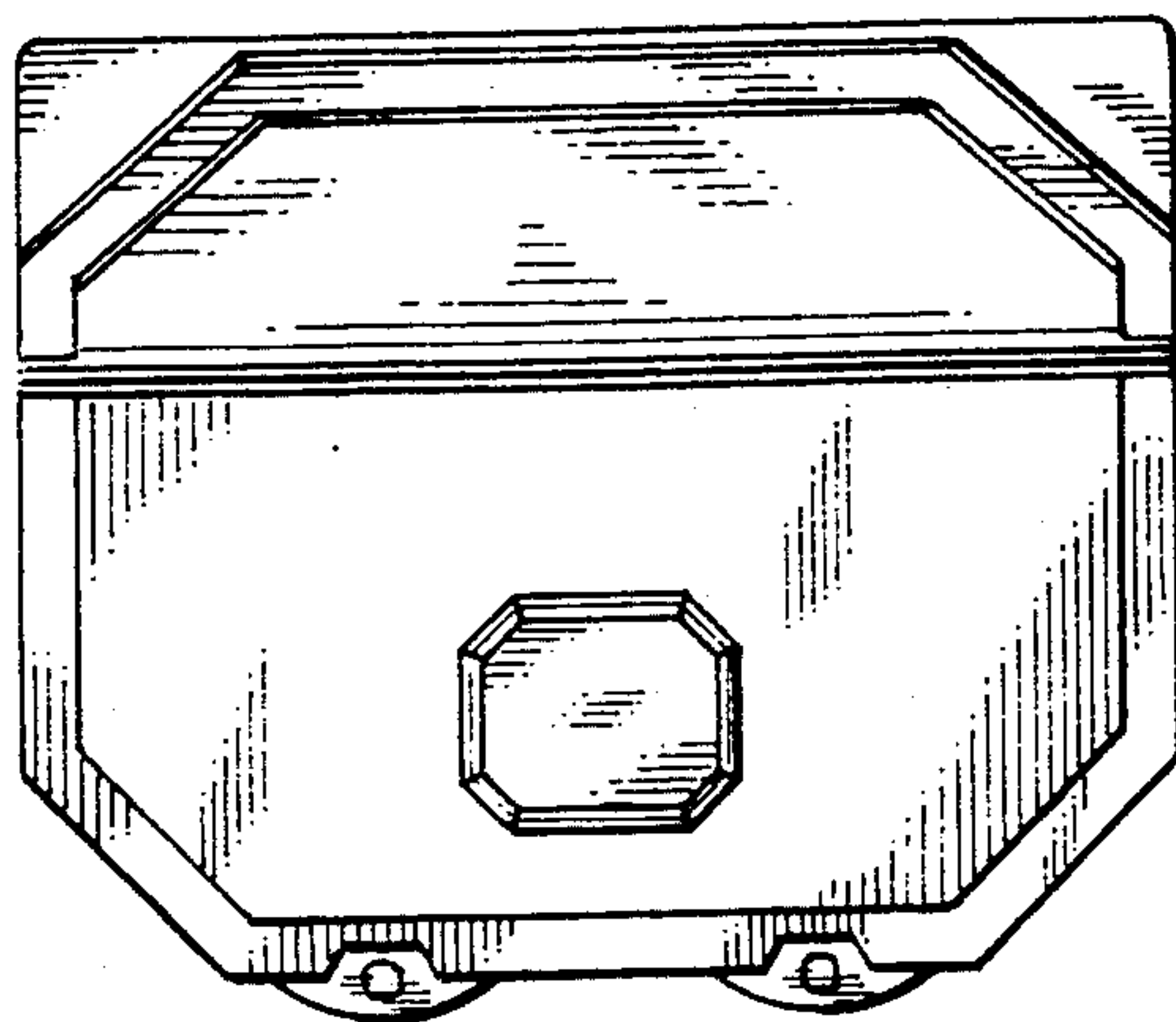


Fig. 5

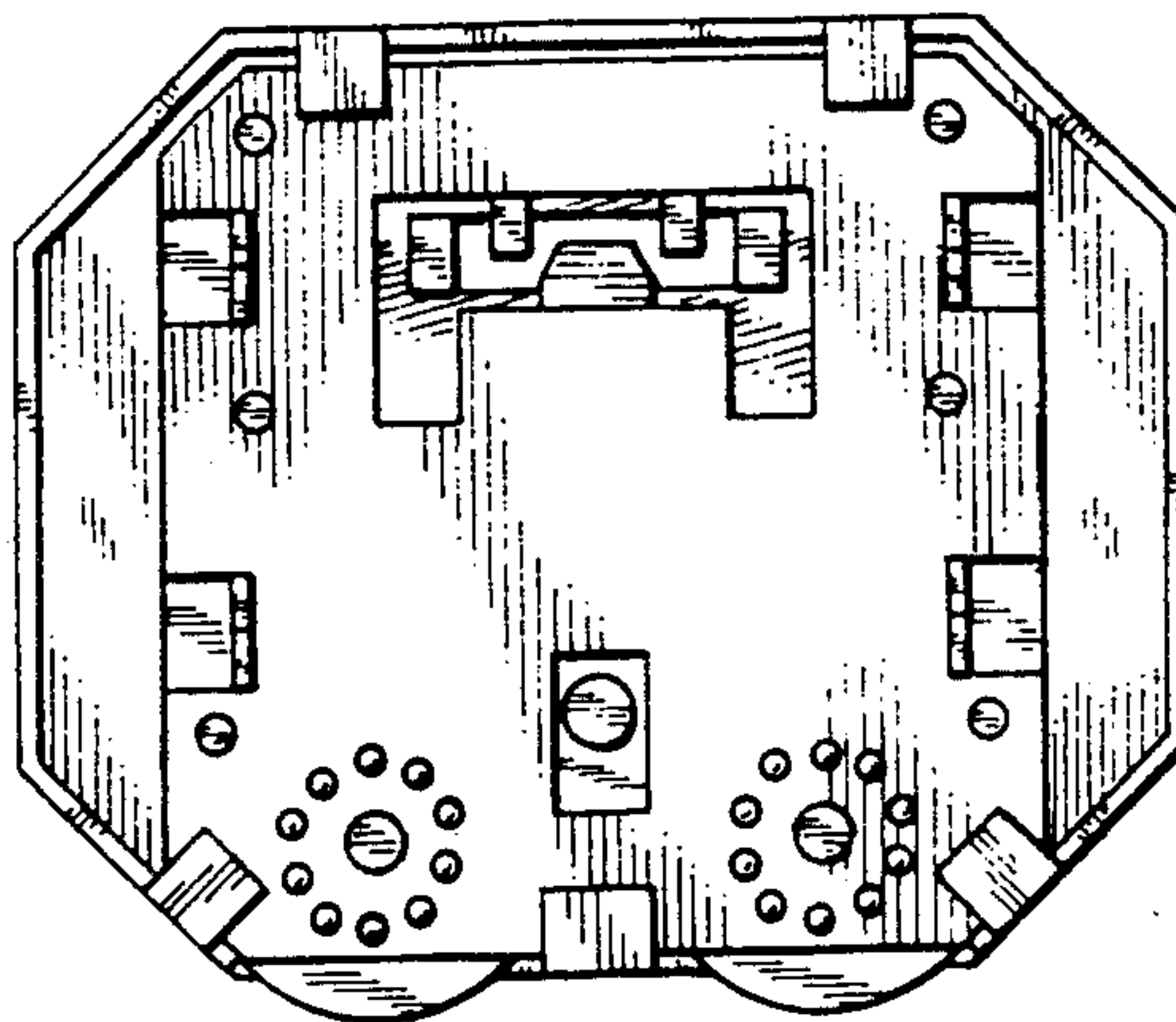


Fig. 7

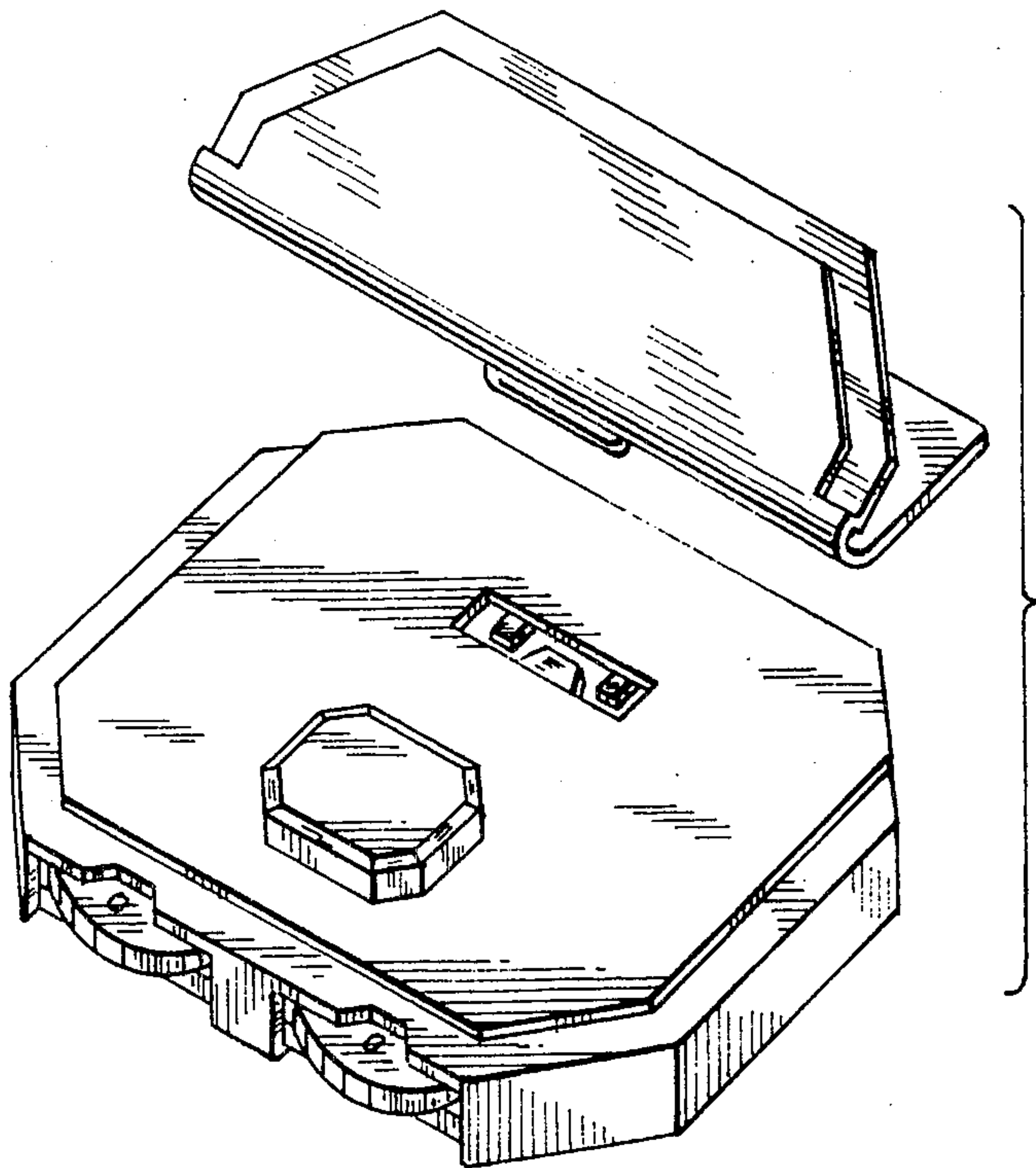


Fig. 6

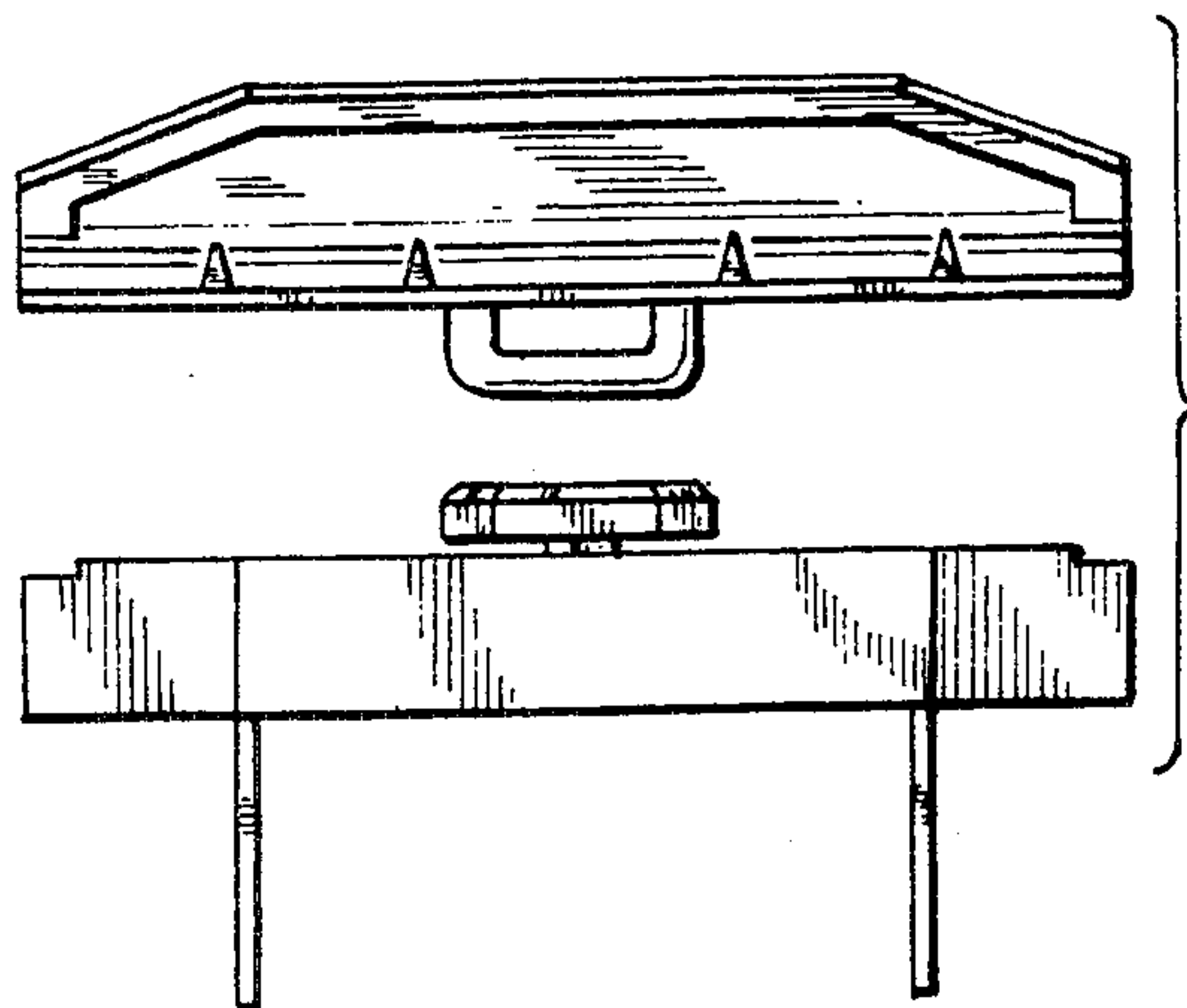


Fig. 8