

[54] TERMINAL PRINTER COVER

D. 272,156 1/1984 Meister ..... D16/27  
D. 274,907 7/1984 Reese ..... D14/100

[75] Inventors: Vincent Giannotti, Jr.; Jeffrey L. Kline; Harville M. Parks, all of Austin, Tex.

OTHER PUBLICATIONS

Byte, 5-1983, p. 445, Toshiba Printer, bottom left.

[73] Assignee: International Business Machines Corporation, Armonk, N.Y.

Primary Examiner—Susan J. Lucas  
Attorney, Agent, or Firm—J. F. Villella, Jr.

[\*\*] Term: 14 Years

[57] CLAIM

[21] Appl. No.: 615,983

The ornamental design for a terminal printer cover, or the like, substantially as shown and described.

[22] Filed: May 31, 1984

DESCRIPTION

[52] U.S. Cl. .... D14/111

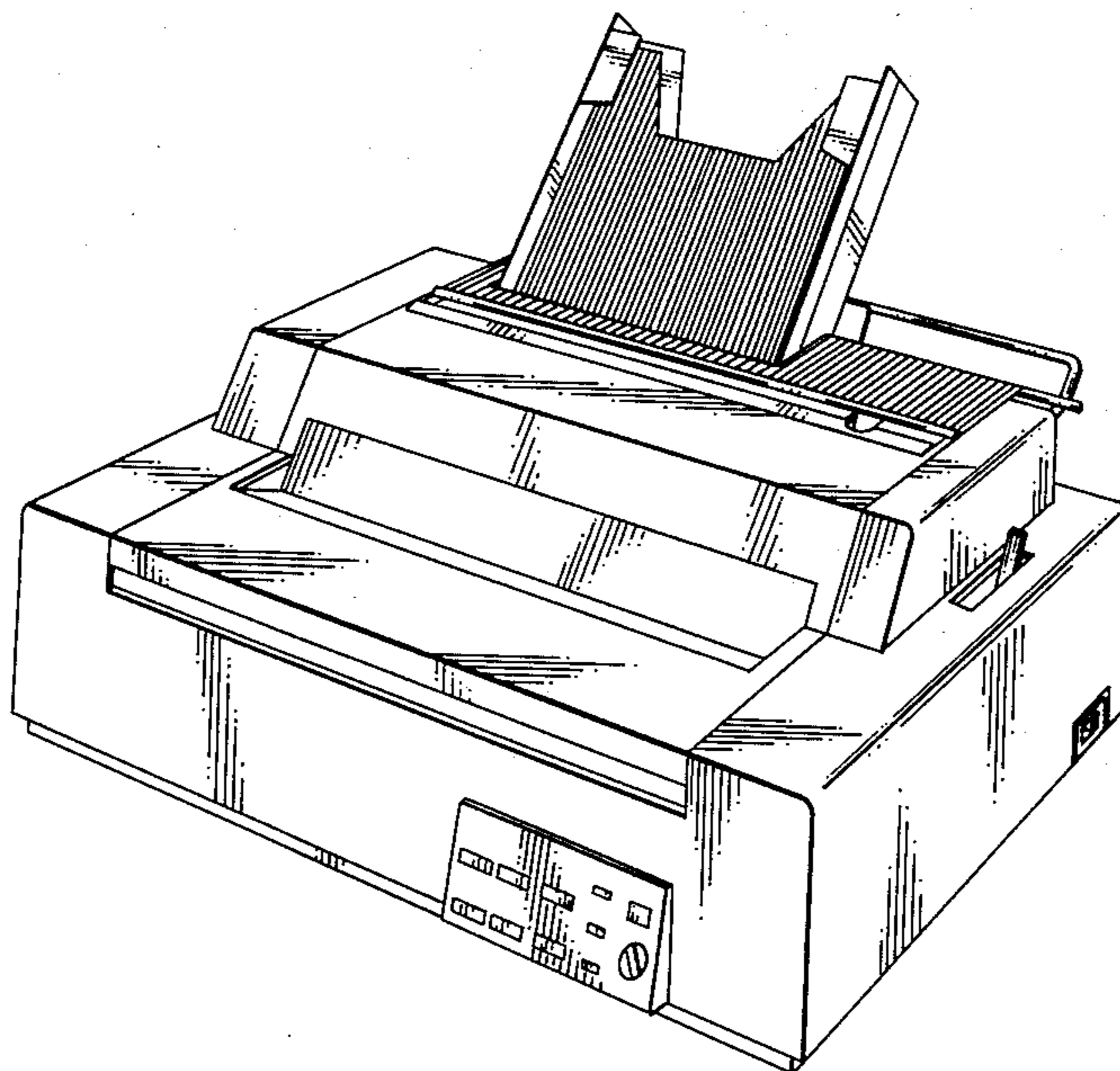
[58] Field of Search ..... D14/100, 107, 111;  
D18/13, 22, 23; 400/578, 584, 613, 613.2, 616.2,  
624, 685, 690.1, 691, 693

FIG. 1 is a right front perspective view of a terminal printer cover, or the like, showing our new design; FIG. 2 is a left front perspective view thereof; FIG. 3 is a left rear perspective view thereof; FIG. 4 is a right rear perspective view thereof; FIG. 5 is a front perspective view of a second embodiment of our new design; FIG. 6 is a rear perspective view thereof; FIG. 7 is a top plan view thereof on an enlarged scale; and FIG. 8 is a bottom plan view common to both embodiments.

[56] References Cited

U.S. PATENT DOCUMENTS

- D. 225,411 12/1972 Chaffee ..... D26/5
- D. 260,516 9/1981 Giannotti et al. .... D14/111
- D. 261,646 11/1981 Stirling ..... D14/114
- D. 264,083 4/1982 Grae ..... D14/111
- D. 266,849 11/1982 Meister, Jr. et al. .... D14/111



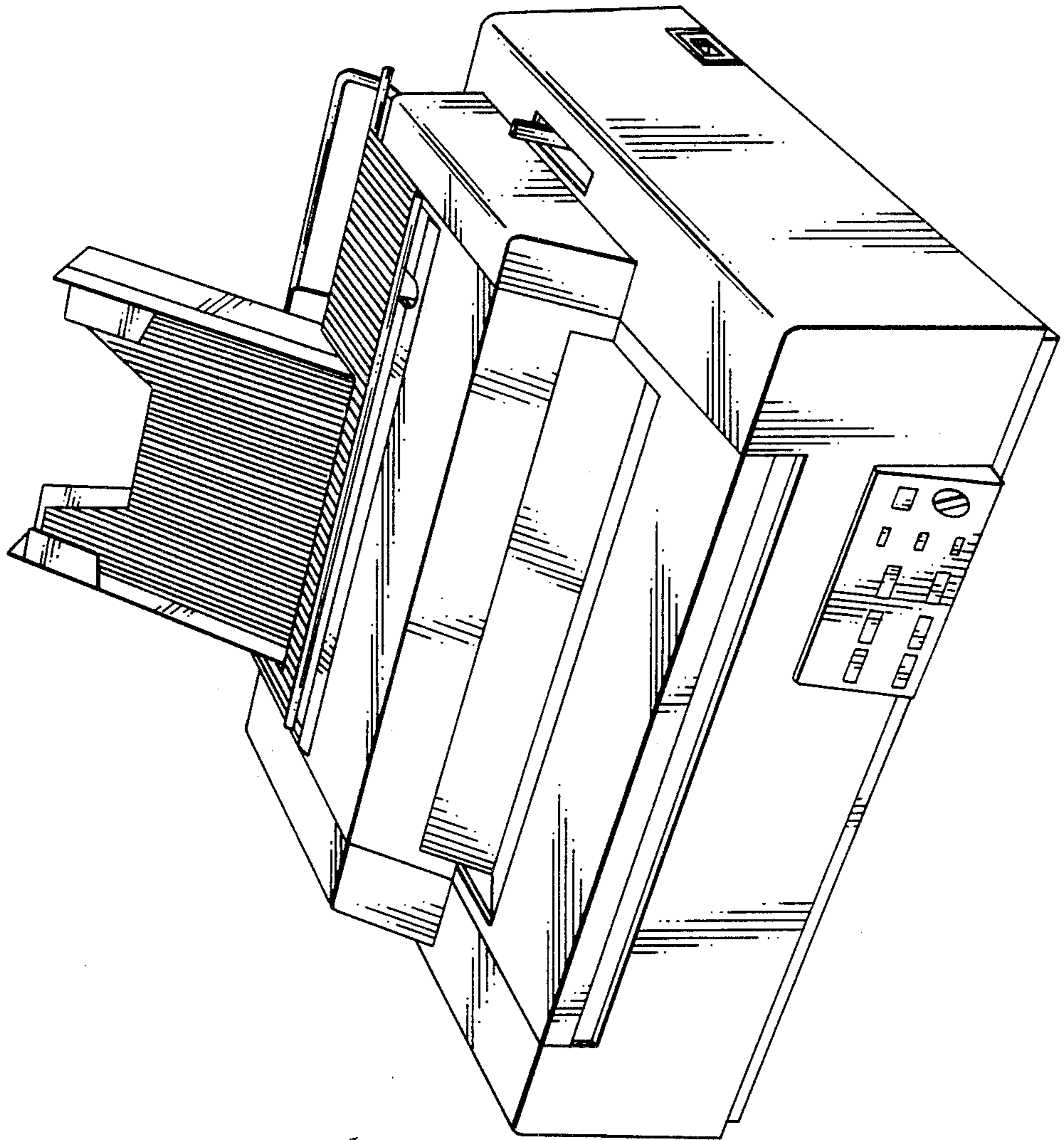


FIG. 1

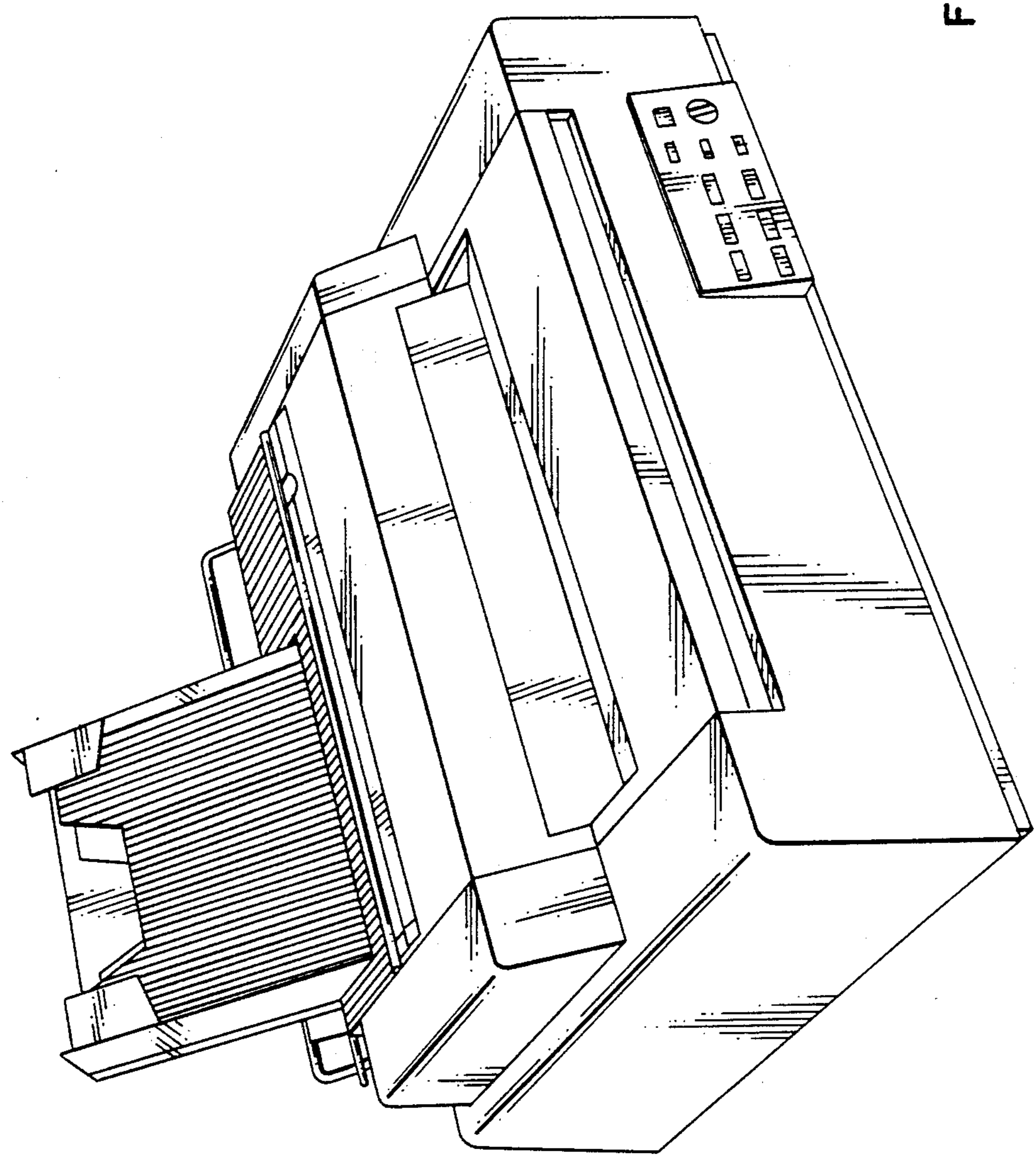


FIG. 2



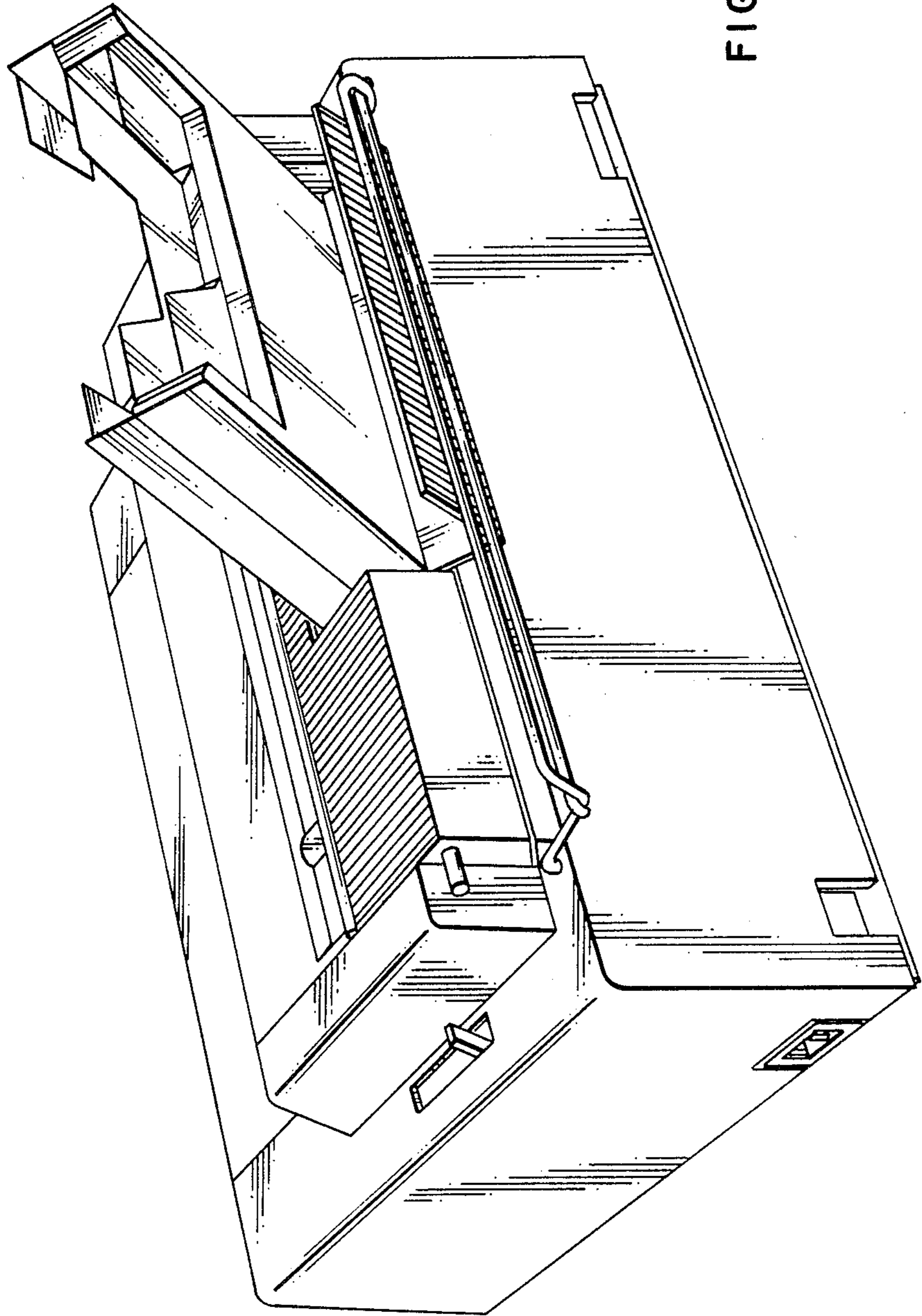


FIG. 3

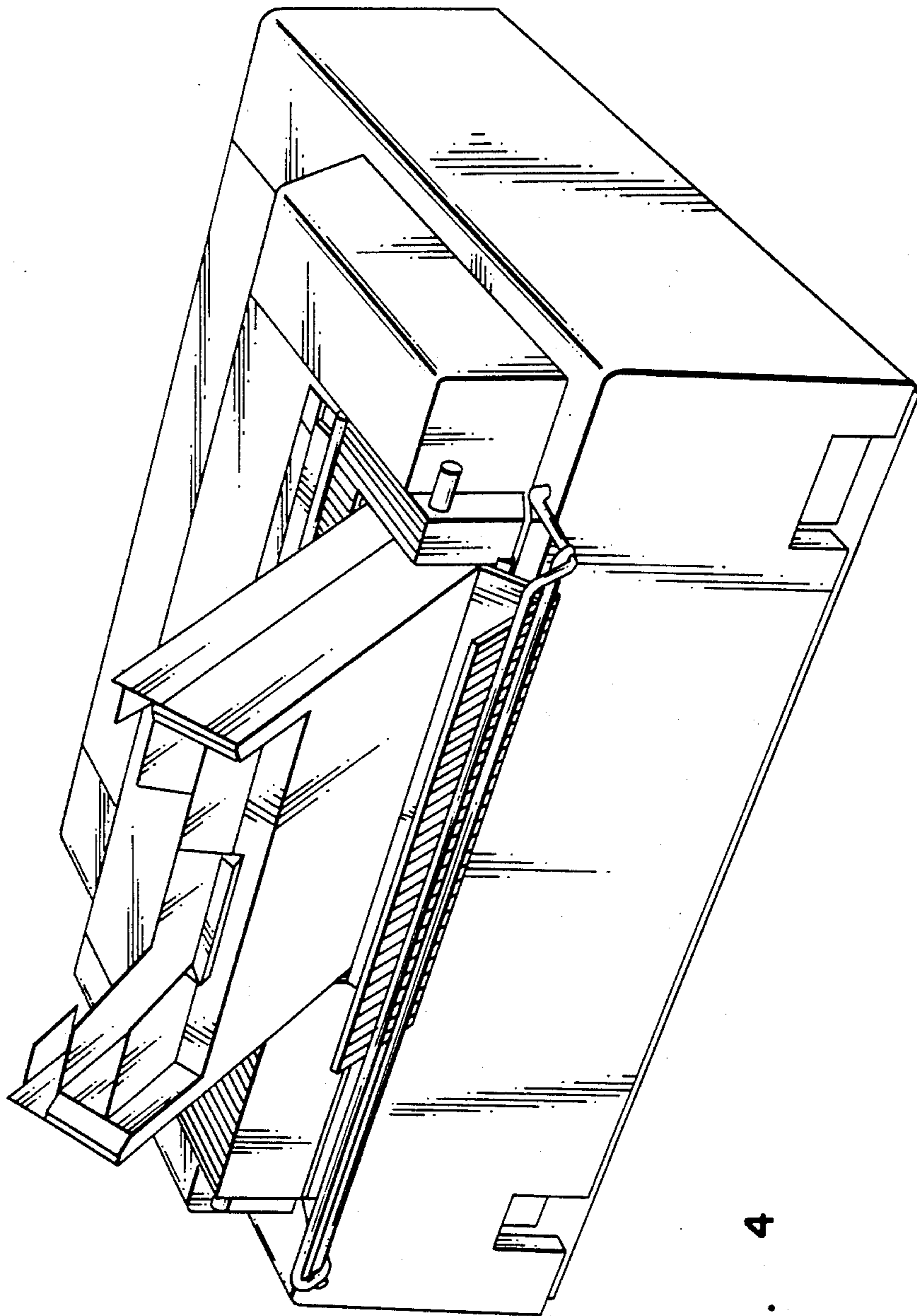


FIG. 4

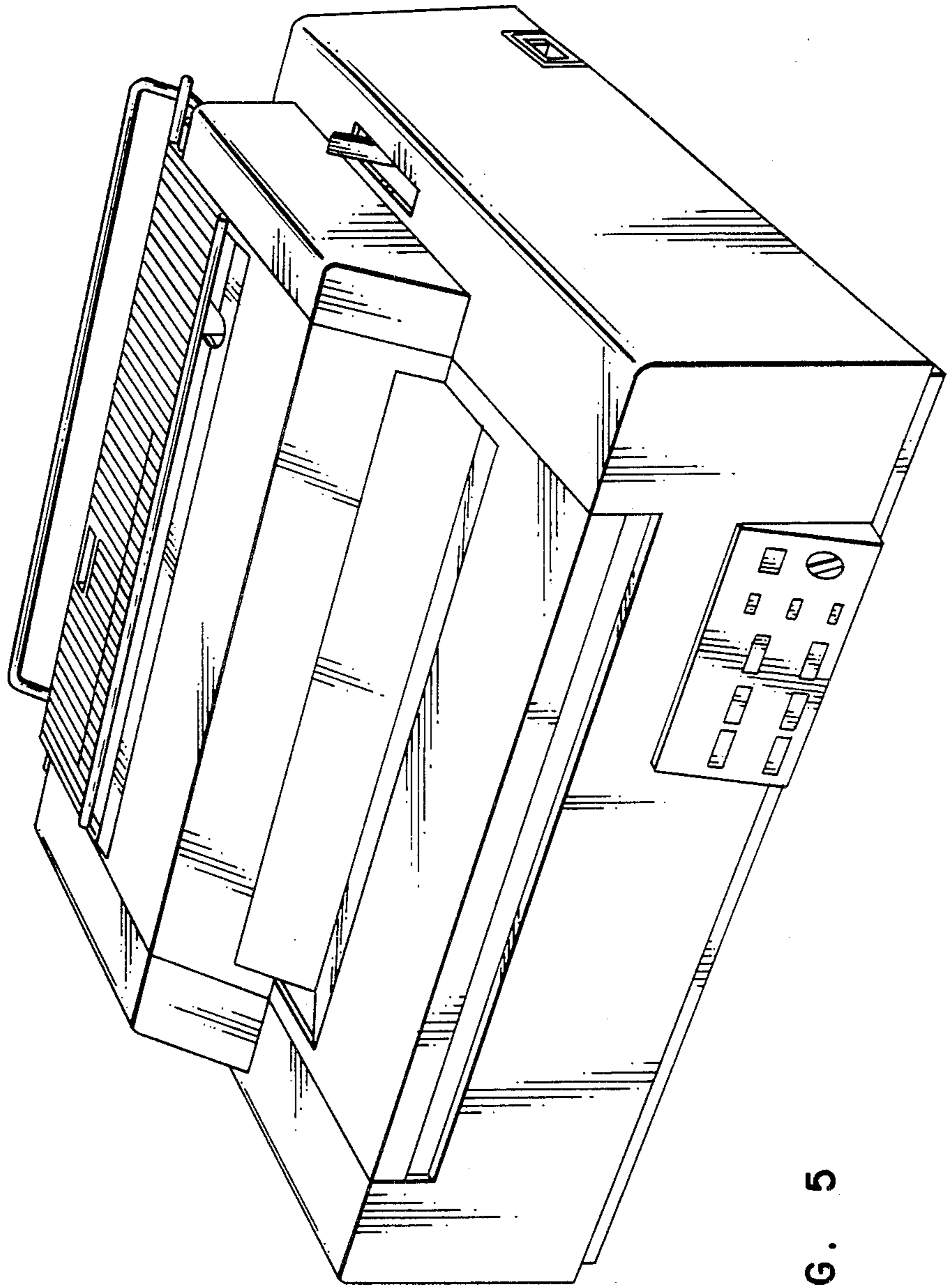


FIG. 5

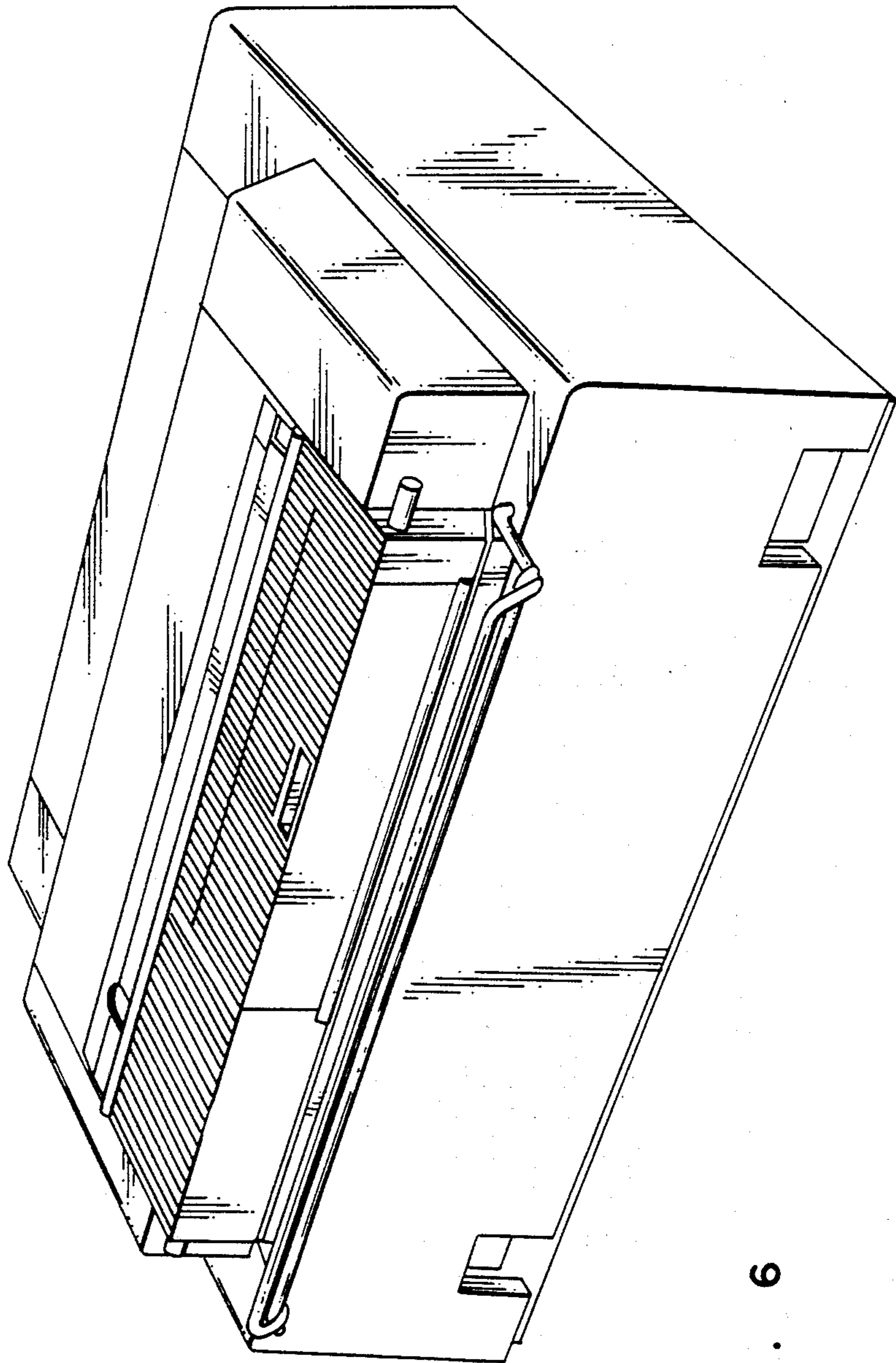


FIG. 6



FIG. 7

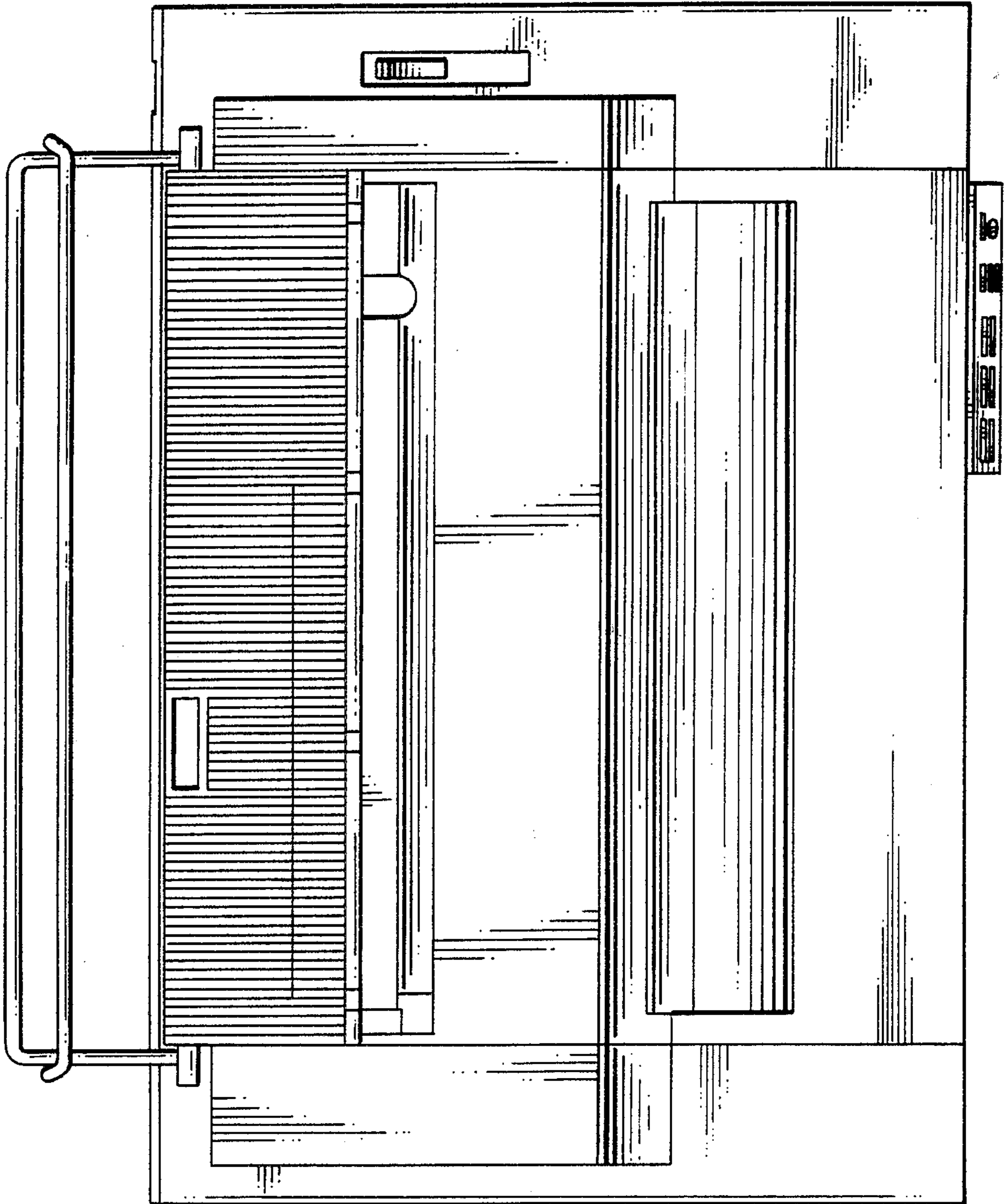




FIG. 8

