

- [54] ANTENNA
- [75] Inventor: Kazuyoshi Imazeki, Tokyo, Japan
- [73] Assignee: General Research of Electronics, Inc., Tokyo, Japan
- [**] Term: 14 Years
- [21] Appl. No.: 638,857
- [22] Filed: Aug. 8, 1984
- [52] U.S. Cl. D14/86; D14/88
- [58] Field of Search D14/86, 87, 88, 89, D14/90, 91; 343/833, 834, 837

tion Finding, U.S. Department of Transportation, Sep. 1978, pp. 2-16, 4-4 and 4-20.

Primary Examiner—Bernard Ansher
Assistant Examiner—Theodore M. Shooman
Attorney, Agent, or Firm—Trexler, Bushnell & Wolters, Ltd.

[57] CLAIM

The ornamental design for an antenna, as shown and described.

DESCRIPTION

FIG. 1 is a top, front and left side perspective view of an antenna showing my new design;
FIG. 2 is an elevational view thereof, taken from the front of FIG. 1;
FIG. 3 is an enlarged top plan view thereof;
FIG. 4 is an enlarged front elevational view thereof;
FIG. 5 is an enlarged bottom plan view thereof; and
FIG. 6 is an enlarged side elevational view thereof.
The vertical elements are broken away in FIGS. 2, 4 and 6 for ease of illustration.

- [56] References Cited
- U.S. PATENT DOCUMENTS
- 3,191,177 6/1965 Parzen 343/837 X
- 4,219,821 8/1980 Selim 343/113

OTHER PUBLICATIONS
Radio News, Jan. 1937, p. 396, top left of page.
Murphy, An Evaluation of Shore-Based Radio Direc-

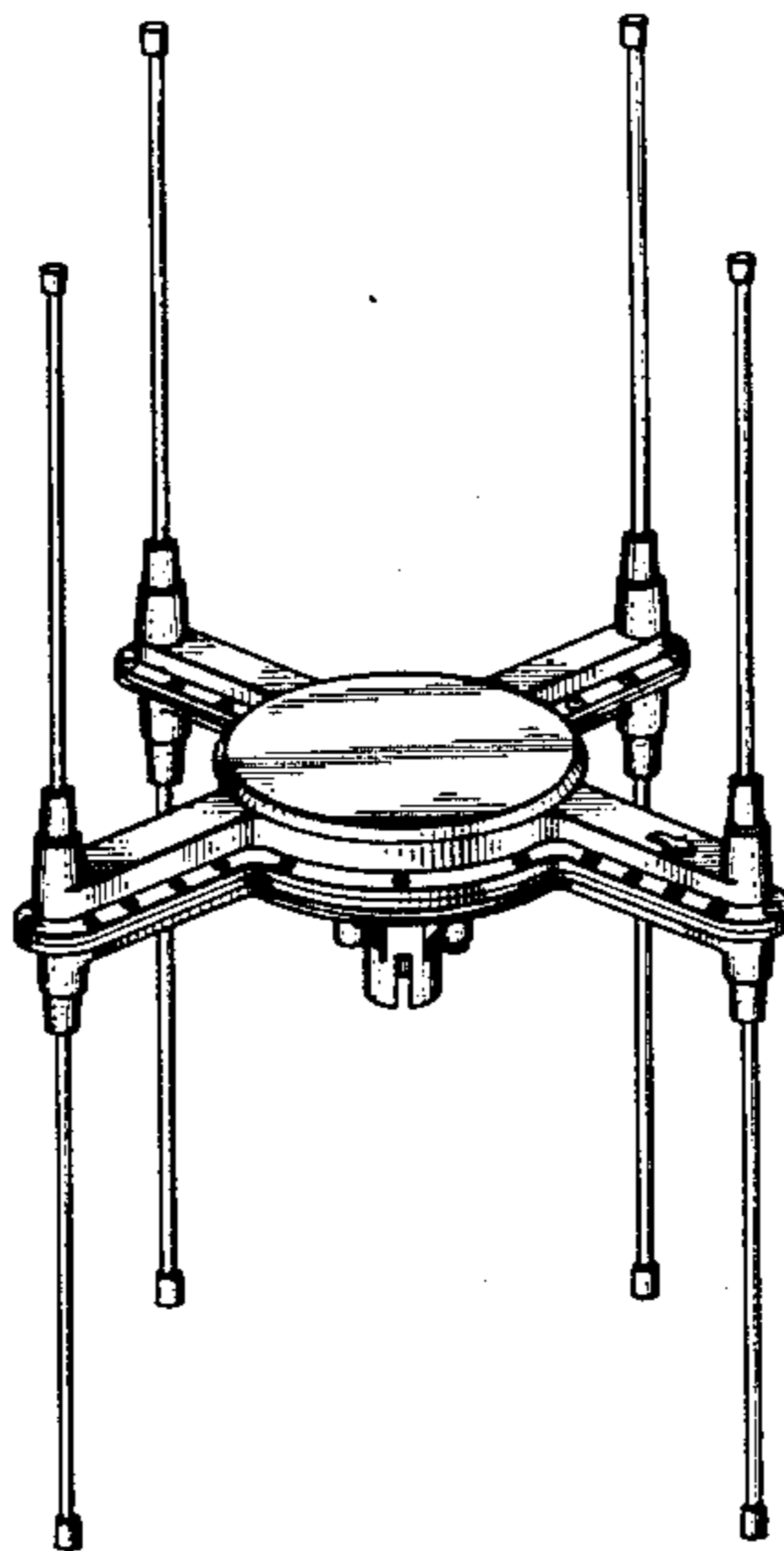


FIG. 1

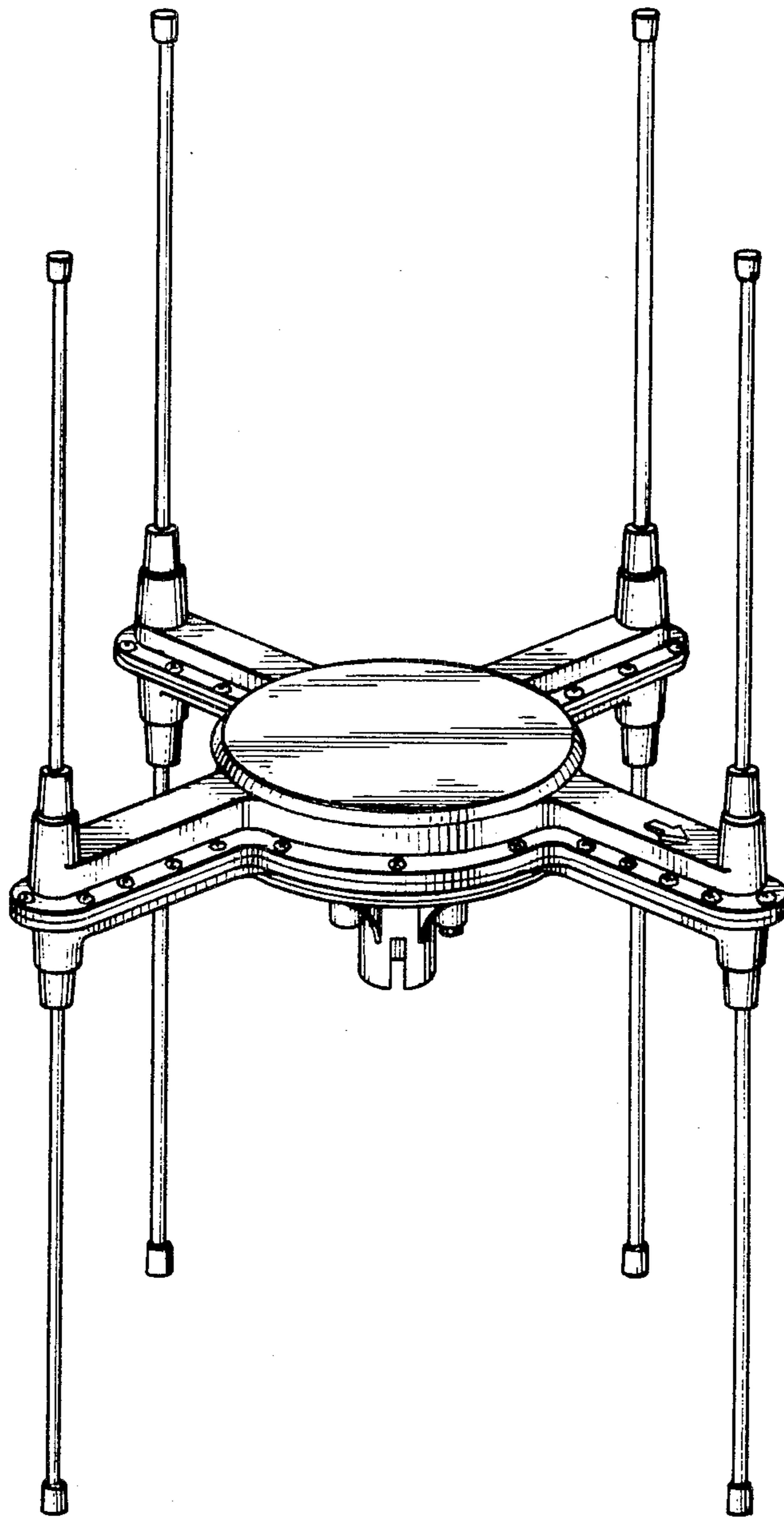


FIG. 2

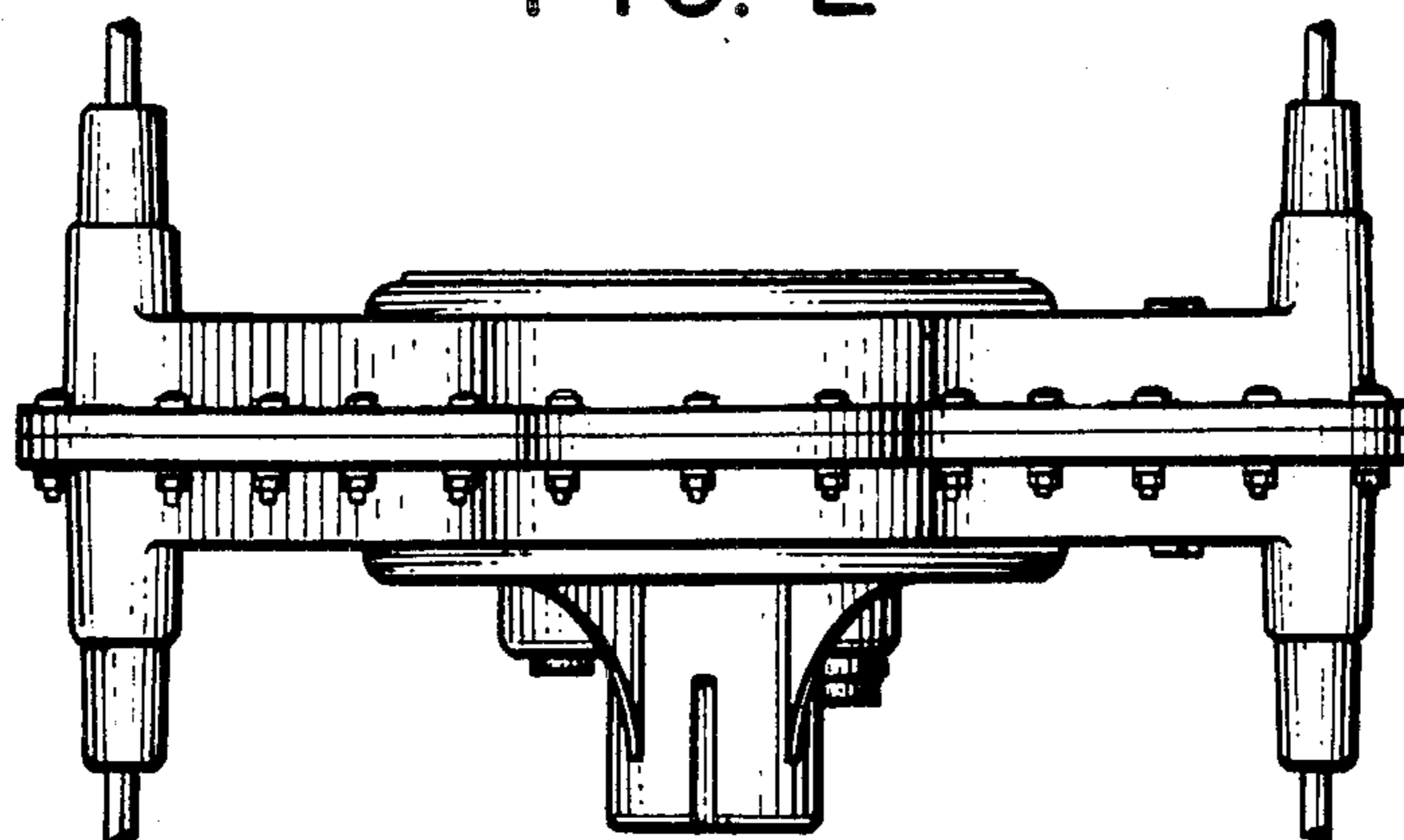


FIG. 3

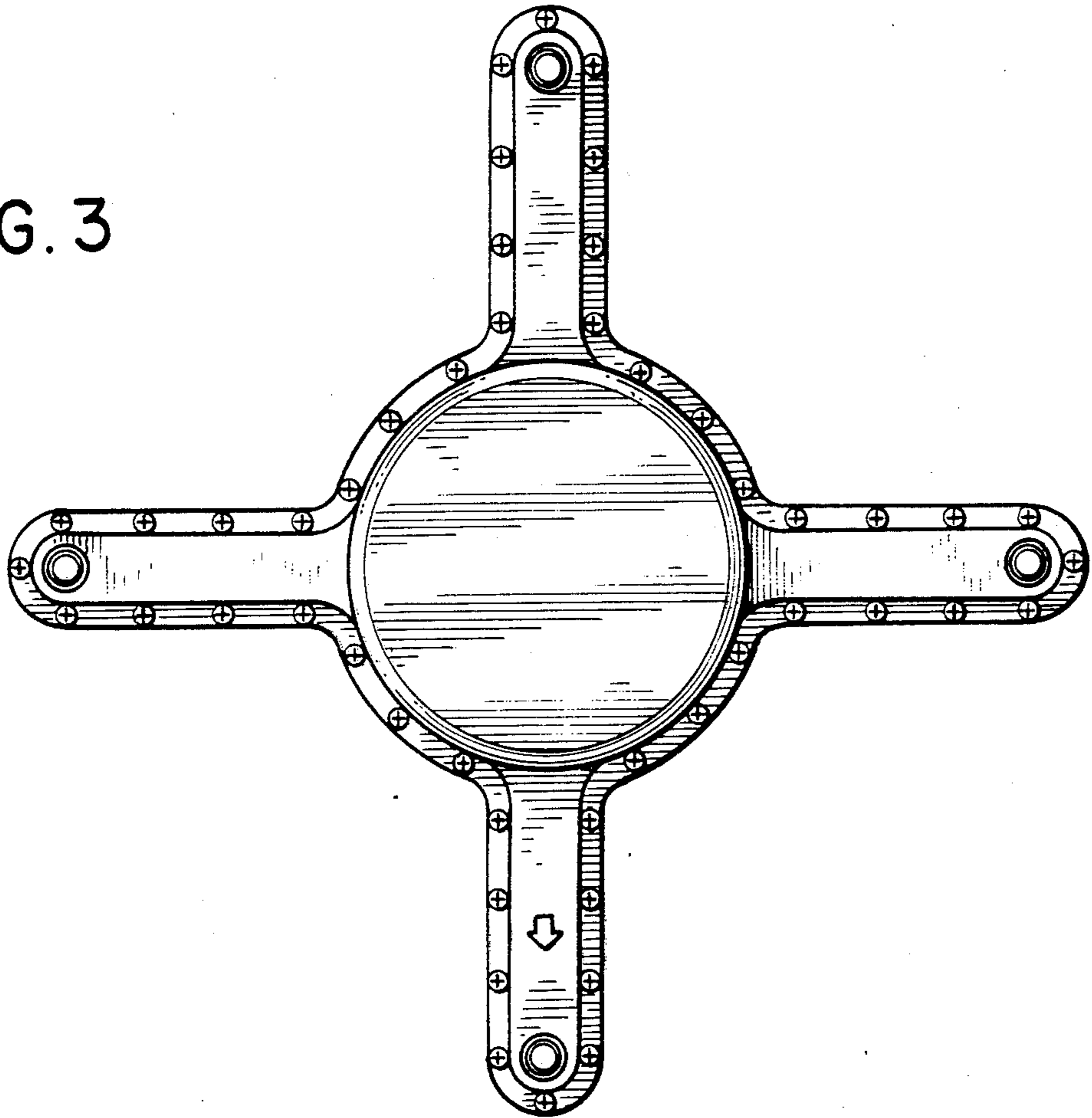
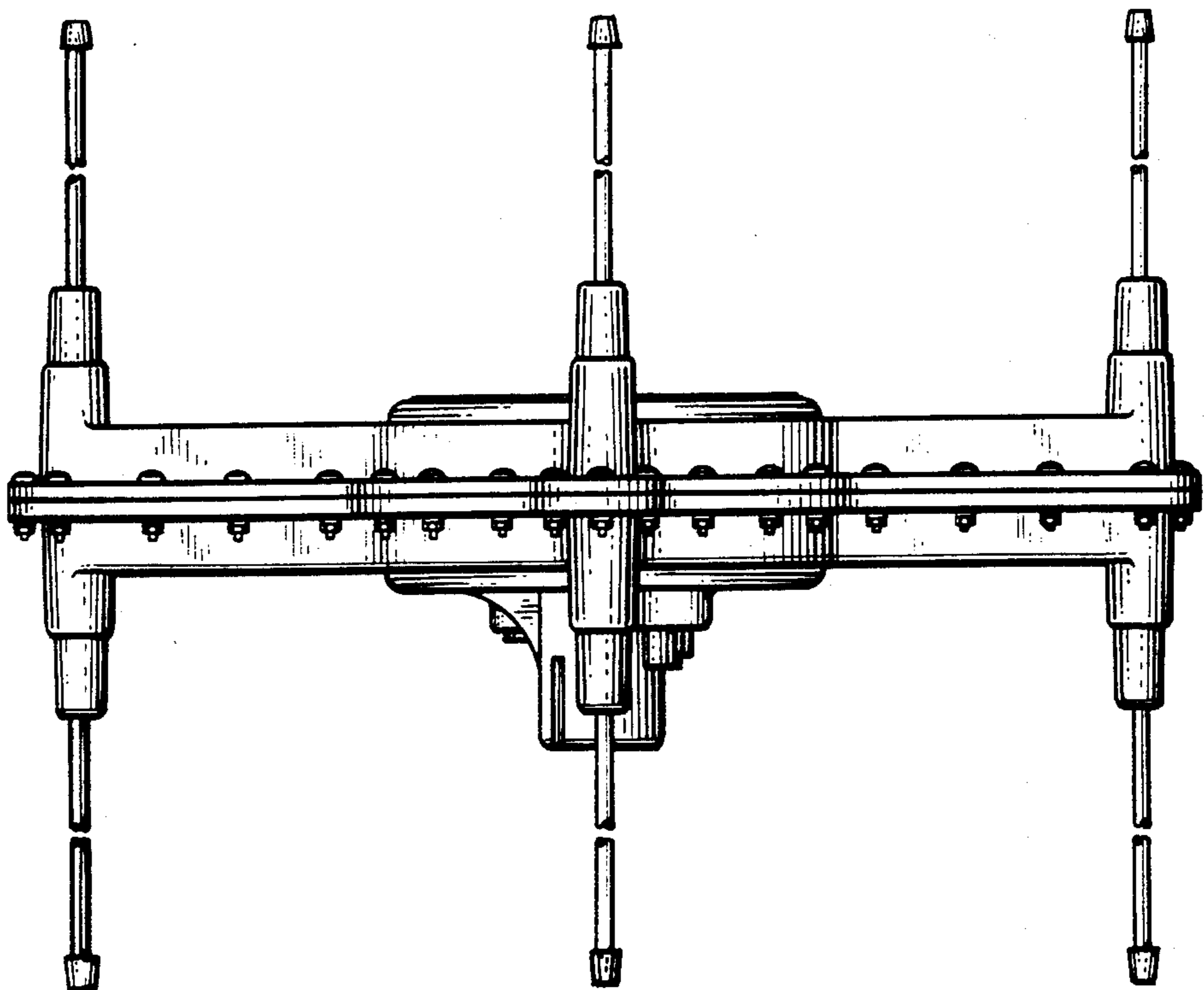


FIG. 4



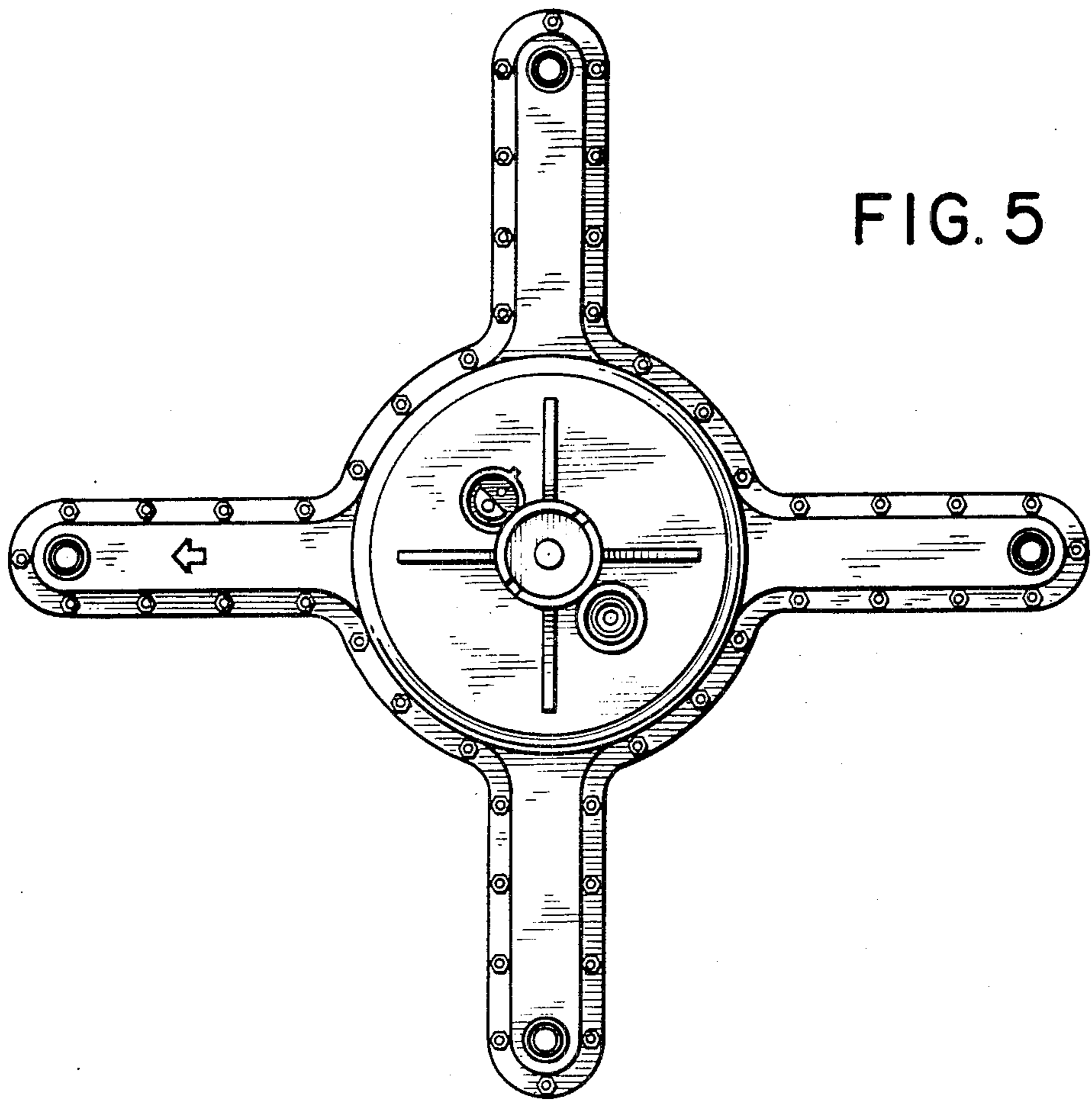


FIG. 6

