

[54] ZERO POWER RANDOM ACCESS MEMORY PACKAGE

[75] Inventor: Michael A. Olla, Flower Mound, Tex.

[73] Assignee: Thomson Components-Mostek Corporation, Carrollton, Tex.

[**] Term: 14 Years

[21] Appl. No.: 601,906

[22] Filed: Apr. 19, 1984

[52] U.S. Cl. D13/41; D13/99

[58] Field of Search D13/40, 41, 99; 361/394, 395, 399, 400, 331; 174/52 R, 52 PE, 52 S; 357/72, 70, 74

[56] References Cited

U.S. PATENT DOCUMENTS

4,012,579 3/1977 Fox et al. 174/52 PE

4,355,719 10/1982 Hinds et al. 174/52 PE X

OTHER PUBLICATIONS

Electronic Design, 12-9-1982, p. 154, Raytheon Comparator 4805, Circuit Package.

Primary Examiner—Susan J. Lucas
Attorney, Agent, or Firm—Roland Plottel

[57] CLAIM

The ornamental design for a zero power random access memory package, as shown and described.

DESCRIPTION

FIG. 1 is a perspective view of a zero power random access memory package showing my new design; FIG. 2 is a top plan view thereof on a reduced scale; FIG. 3 is a side elevational view on a reduced scale, the opposite end being a mirror image; FIG. 4 is an end elevational view thereof on a reduced scale, the opposite end being a mirror image; and FIG. 5 is a bottom plan view thereof on a reduced scale.

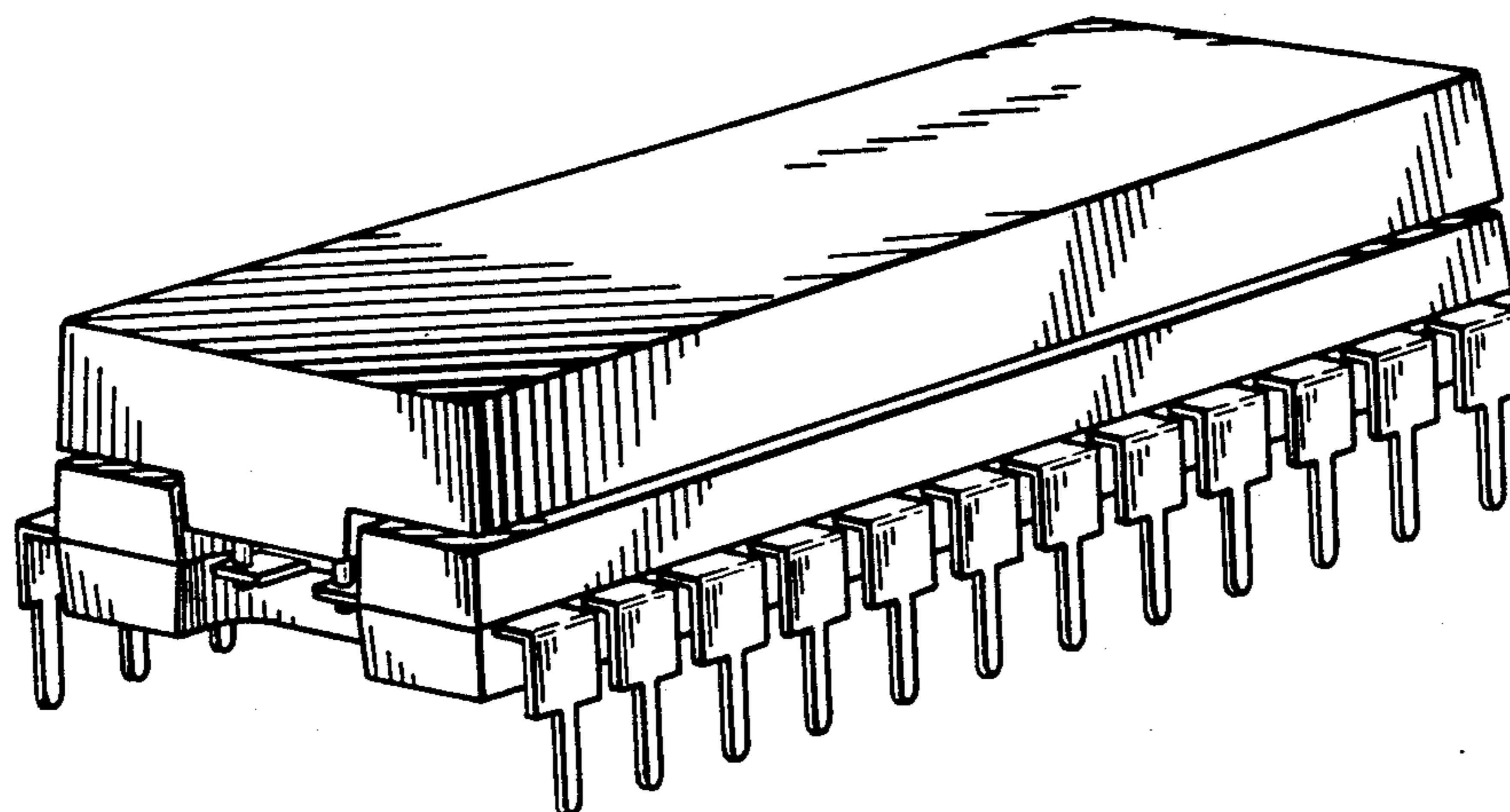


FIG. 1

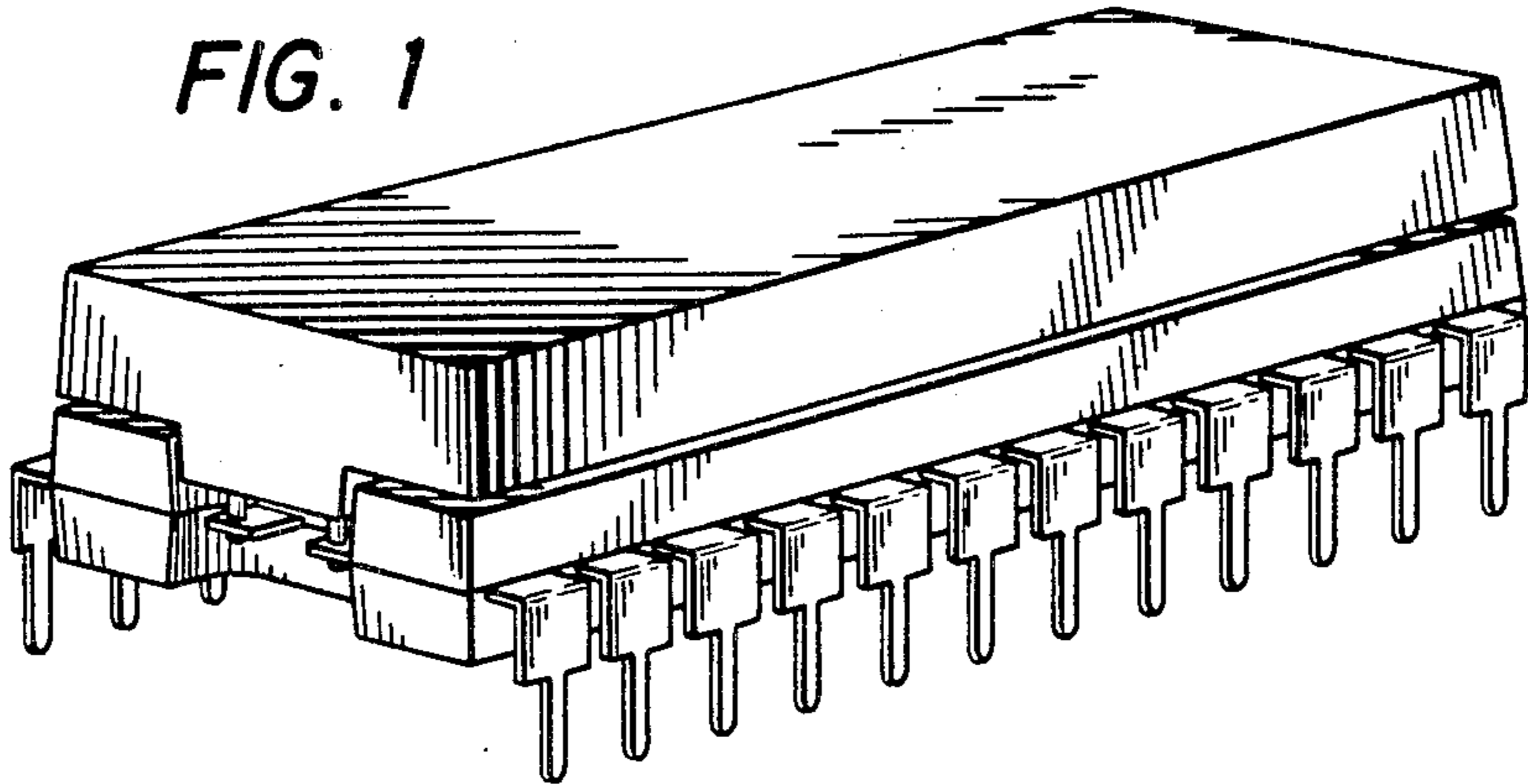


FIG. 2

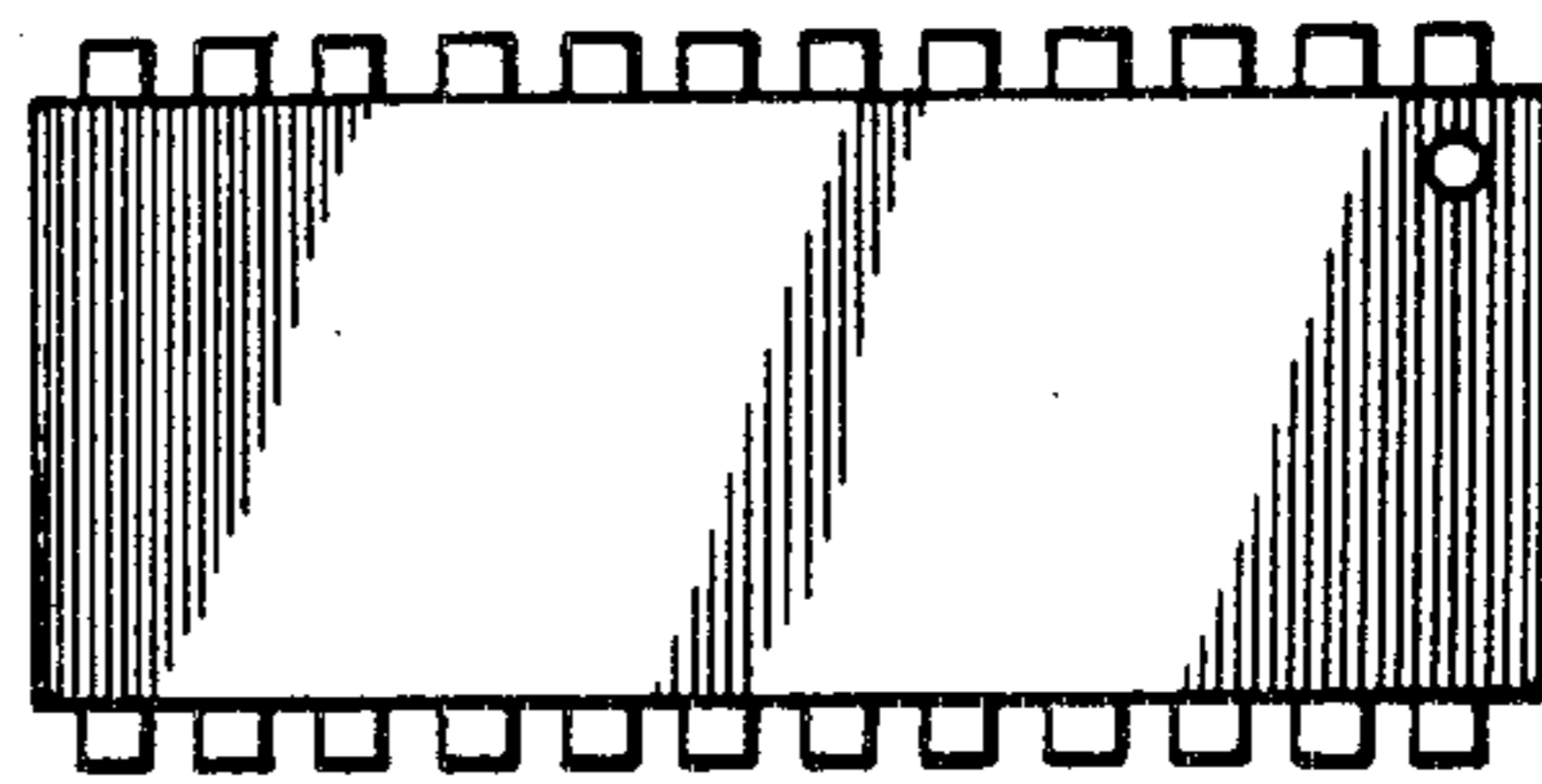


FIG. 4

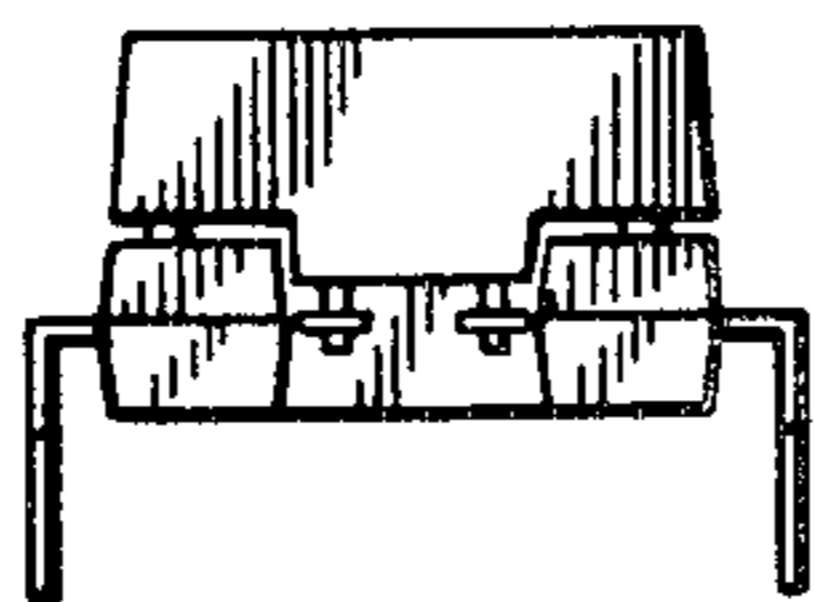


FIG. 3



FIG. 5

