

[54] TIRE

[75] Inventor: Bill J. Wallet, Marshallville, Ohio

[73] Assignee: The Firestone Tire & Rubber Company, Akron, Ohio

[**] Term: 14 Years

[21] Appl. No.: 673,079

[22] Filed: Nov. 19, 1984

[52] U.S. Cl. D12/147

[58] Field of Search D12/146-151, D12/136, 137, 140; 152/209 R, 209 D

[56] References Cited

U.S. PATENT DOCUMENTS

D. 238,486	1/1976	Candiliotis	D12/143
D. 253,467	11/1979	Ezura et al.	D12/147
D. 256,907	9/1980	Baus et al.	D12/147
D. 261,497	10/1981	Baus et al.	D12/147
D. 261,878	11/1981	Baus et al.	D12/147
D. 262,102	12/1981	Baus et al.	D12/147
D. 262,282	12/1981	Peron	D12/147
D. 274,897	7/1984	Skerl	D12/147

FOREIGN PATENT DOCUMENTS

2948479 6/1981 Fed. Rep. of Germany .

OTHER PUBLICATIONS

1984 Tread Design Guide-p. 62, Samyang Steel Belted Radial 761 Tire and p. 43, Kelly-Springfield Charger 65 Tire.

Qualifier H Tire-photocopy of clipping from Modern Tire Dealer-Oct. 1984-p. 47.

8" x 10" black and white photograph of P-971 Tire Tread.

Primary Examiner—James M. Gandy
Attorney, Agent, or Firm—Ernst H. Ruf

[57] CLAIM

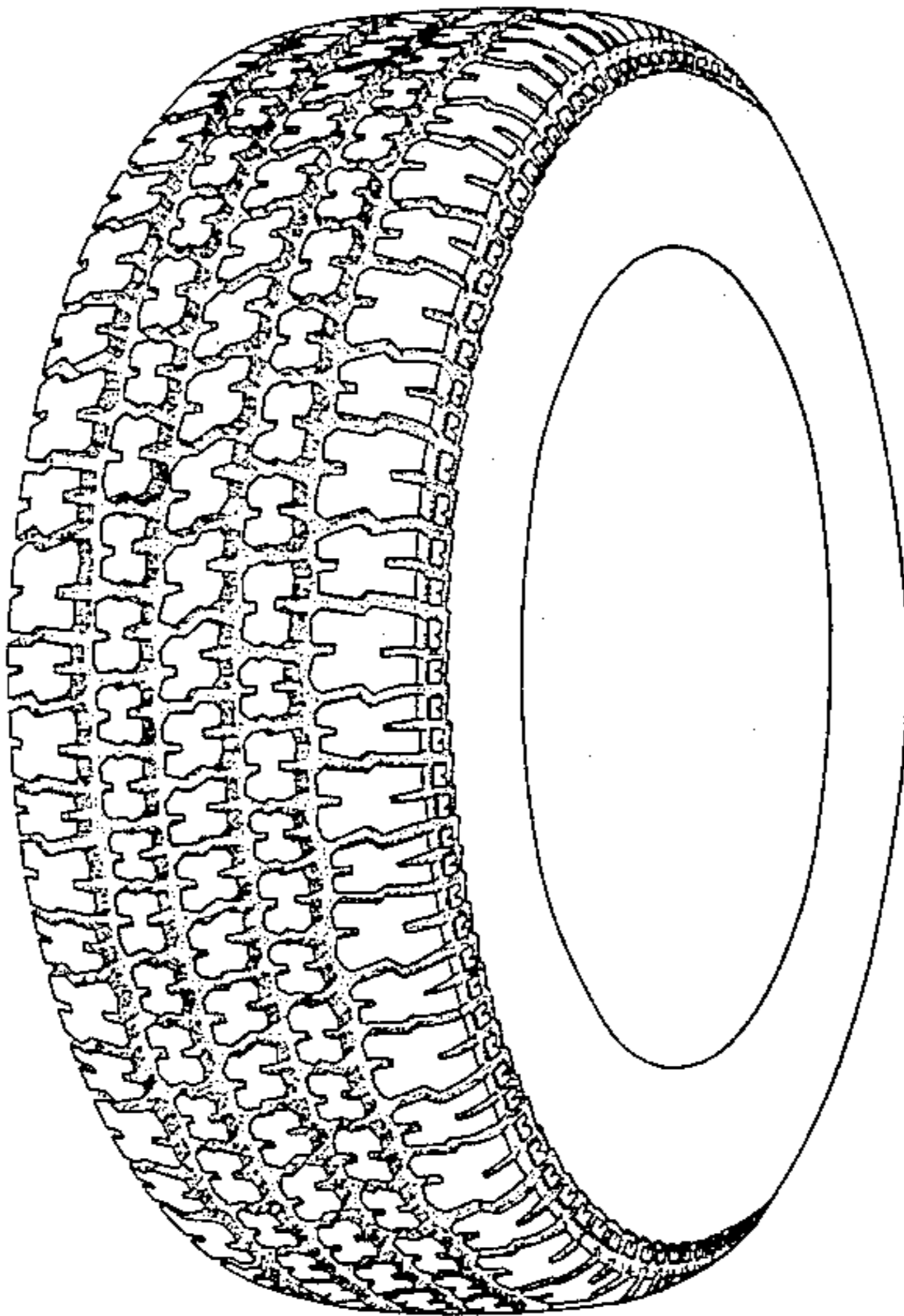
The ornamental design for a tire, as shown and described.

DESCRIPTION

FIG. 1 is a perspective view of a tire embodying my new design, it being understood that the pattern is repeated throughout the circumference of the tire, the opposite side being substantially the same as that shown.

FIG. 2 is a front elevational view thereof.

FIG. 3 is a side elevational view thereof.



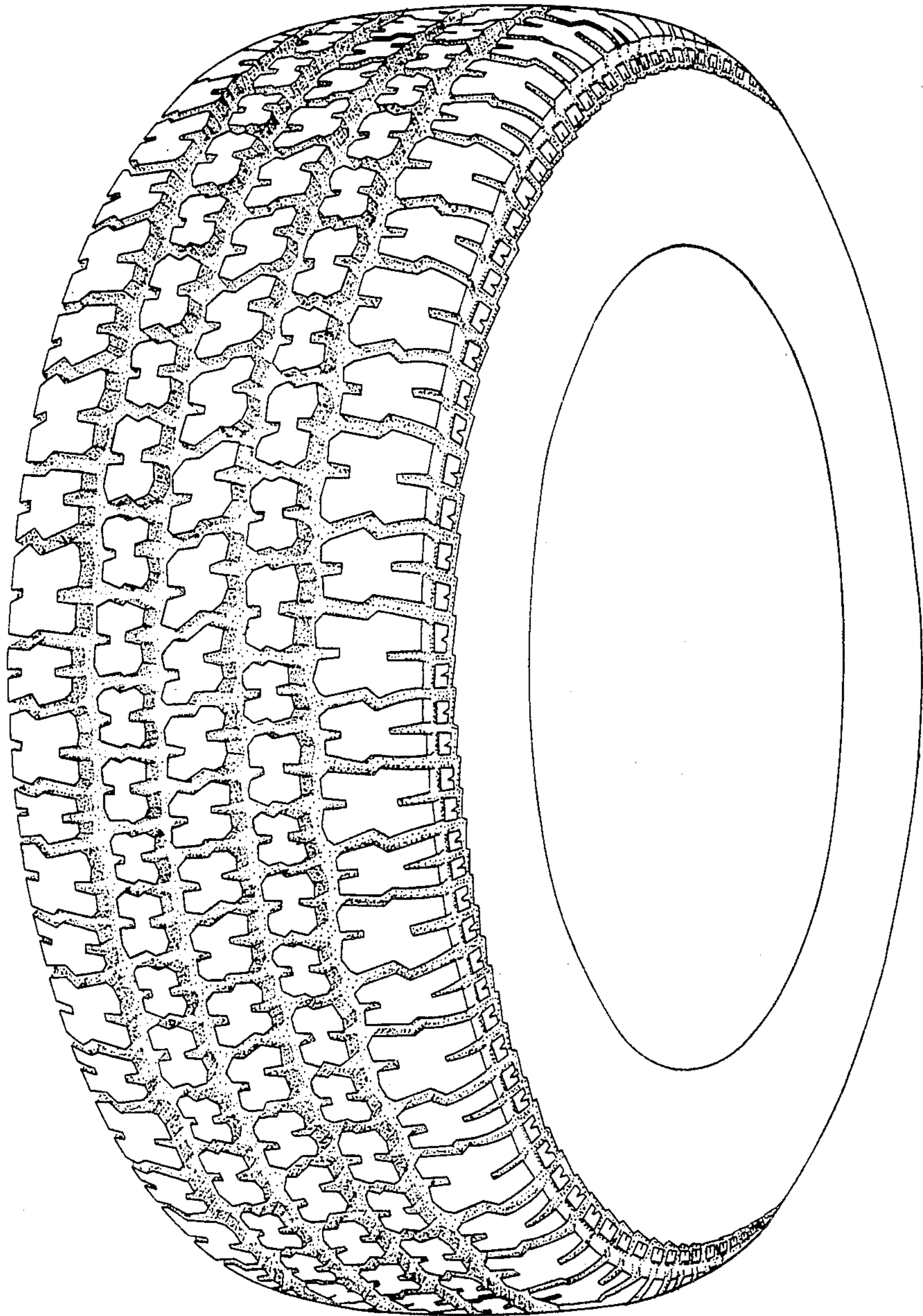


FIG. 1

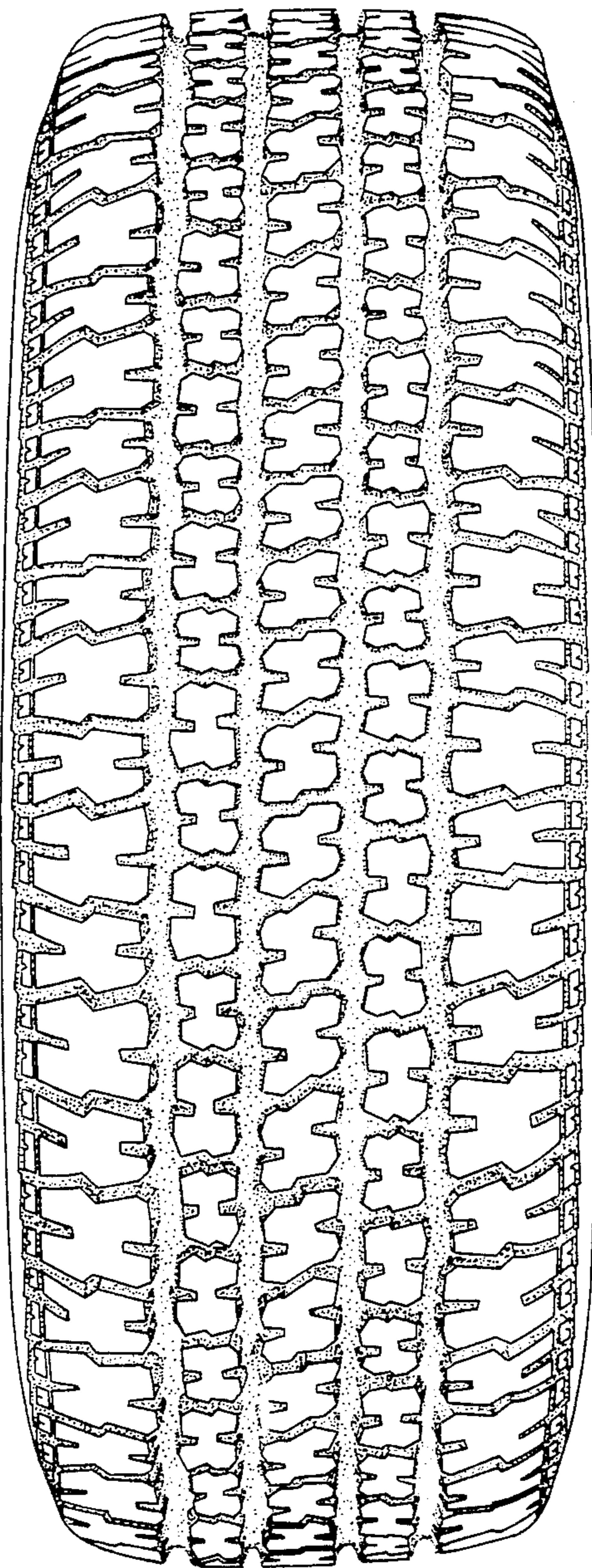


FIG. 2

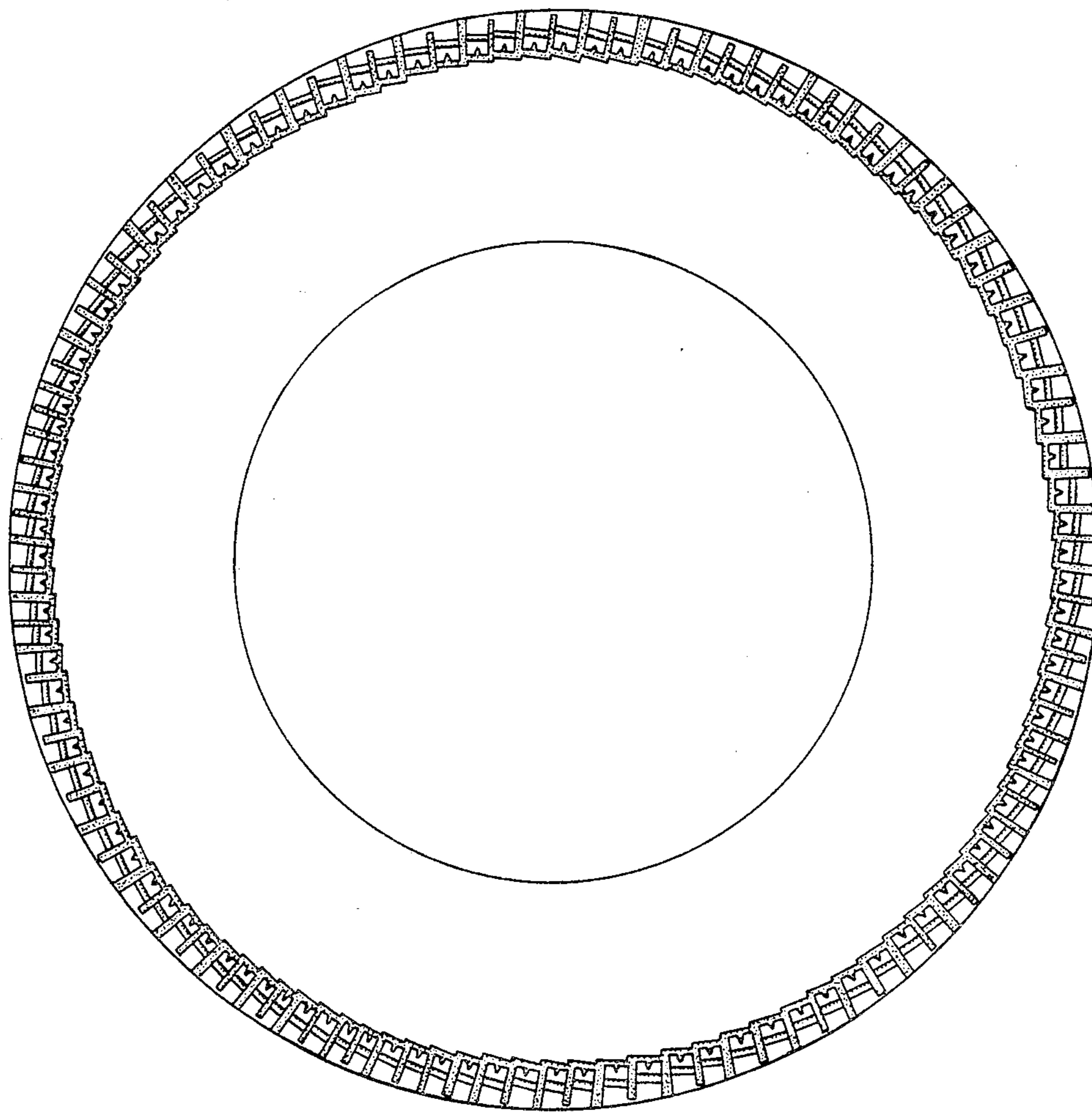


FIG. 3