

[54] ADJUSTABLE STROLLER

[75] Inventor: Peter C. Hawkes, Rugby, England

[73] Assignee: Andrews Maclaren Ltd., England

[**] Term: 14 Years

[21] Appl. No.: 607,626

[22] Filed: May 7, 1984

[30] Foreign Application Priority Data

Nov. 10, 1983 [GB] United Kingdom 1016198
[52] U.S. Cl. D12/129
[58] Field of Search D12/129, 130, 132, 133;
280/642, 643, 644, 42, 647, 648, 649, 650;
297/429, 437, 377; D6/333

[56] References Cited

U.S. PATENT DOCUMENTS

D. 258,816 4/1981 Headley et al. D12/129
D. 262,696 1/1982 Perego D12/129
3,736,021 5/1973 MacLaren D12/131
4,293,144 10/1981 Ida 280/644
4,426,113 1/1984 Schutz 297/441

FOREIGN PATENT DOCUMENTS

3311973 10/1983 Fed. Rep. of Germany 280/642

Primary Examiner—James M. Gandy
Assistant Examiner—Kay H. Chin
Attorney, Agent, or Firm—Parkhurst & Oliff

[57] CLAIM

The ornamental design for an adjustable stroller, as shown and described.

DESCRIPTION

FIG. 1 is a front perspective view of an adjustable stroller showing my new design;
FIG. 2 is a rear perspective view thereof;
FIG. 3 is a top perspective view thereof;
FIG. 4 is a side perspective view thereof, the opposite side being a mirror image of that shown;
FIG. 5 is a front perspective view thereof;
FIG. 6 is a rear perspective view thereof;
FIG. 7 is a perspective view thereof in an alternate position;
FIG. 8 is a side perspective view of FIG. 7;
FIG. 9 is a perspective view thereof in a second alternate position;
FIG. 10 is a side perspective view of FIG. 9;
FIG. 11 is a front perspective view of FIG. 9; and
FIG. 12 is a rear perspective view of FIG. 9.

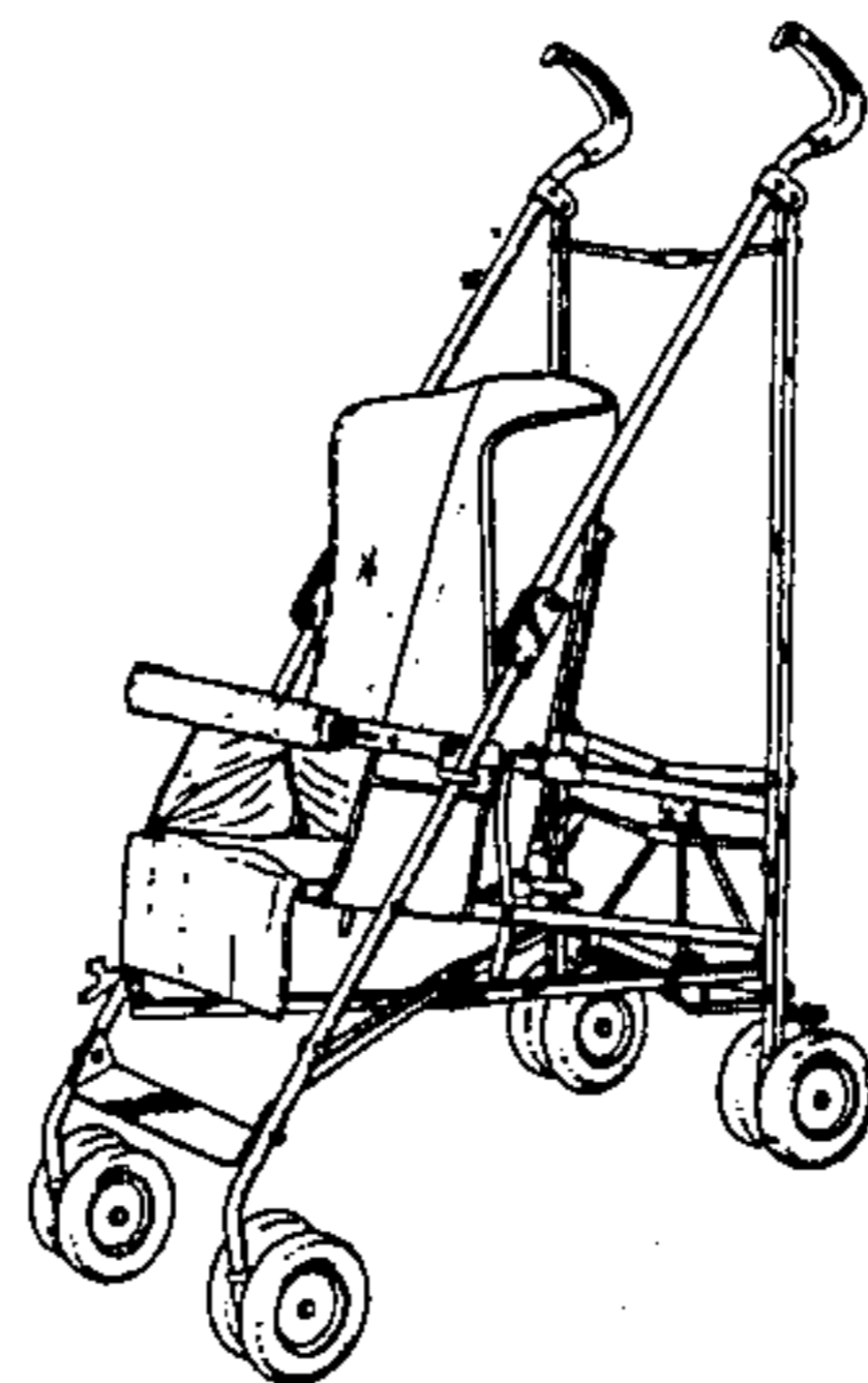


FIG. 1.

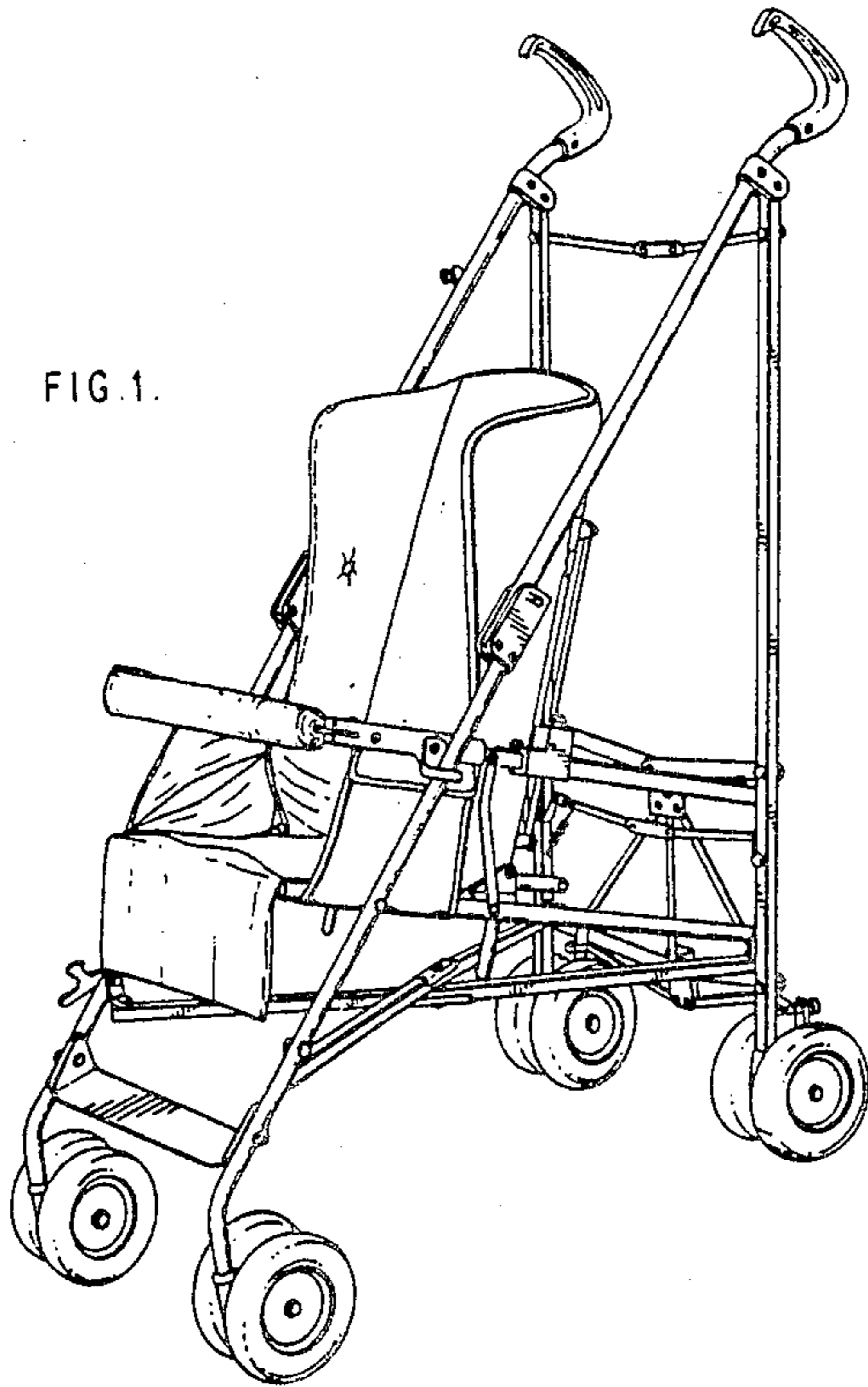
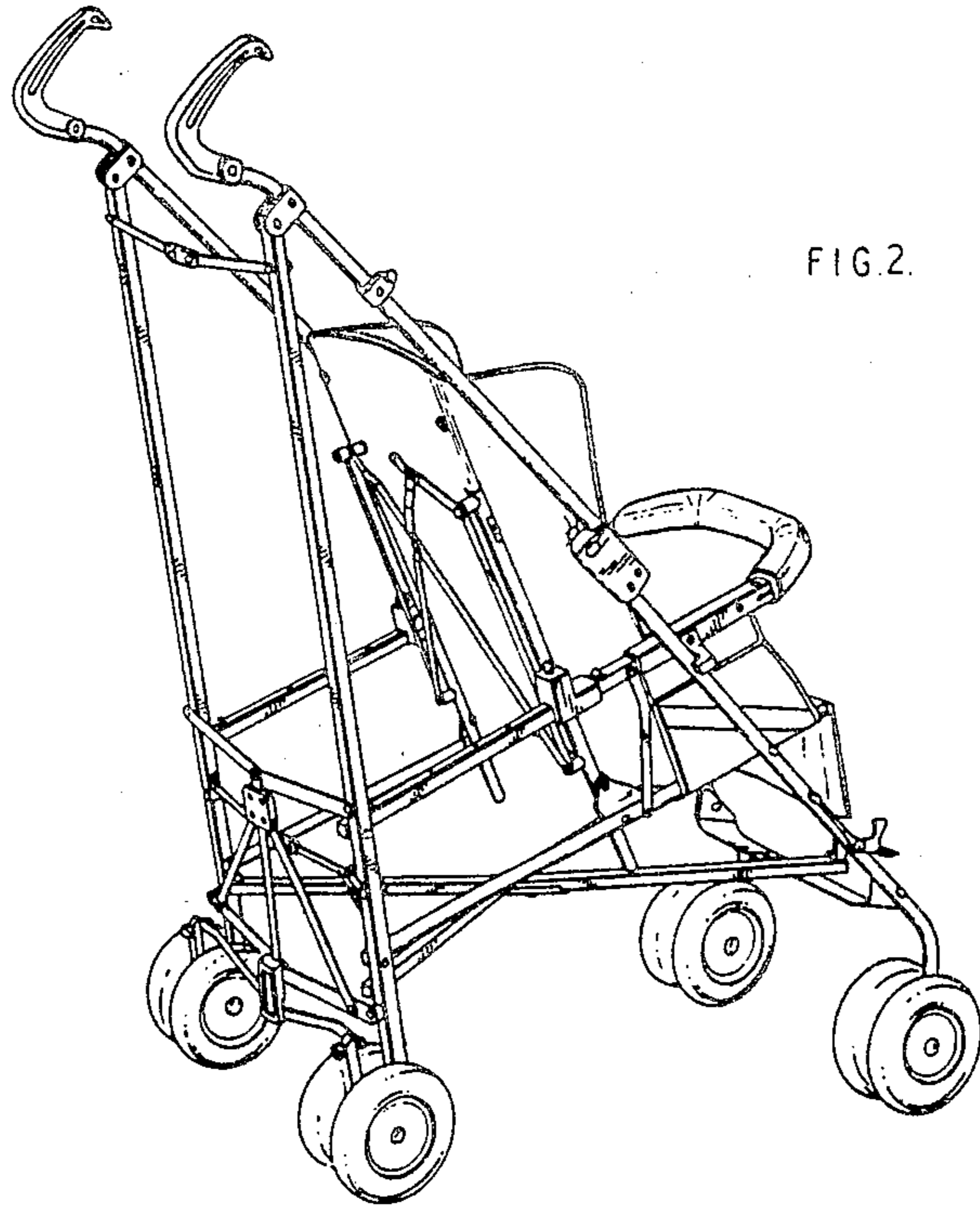
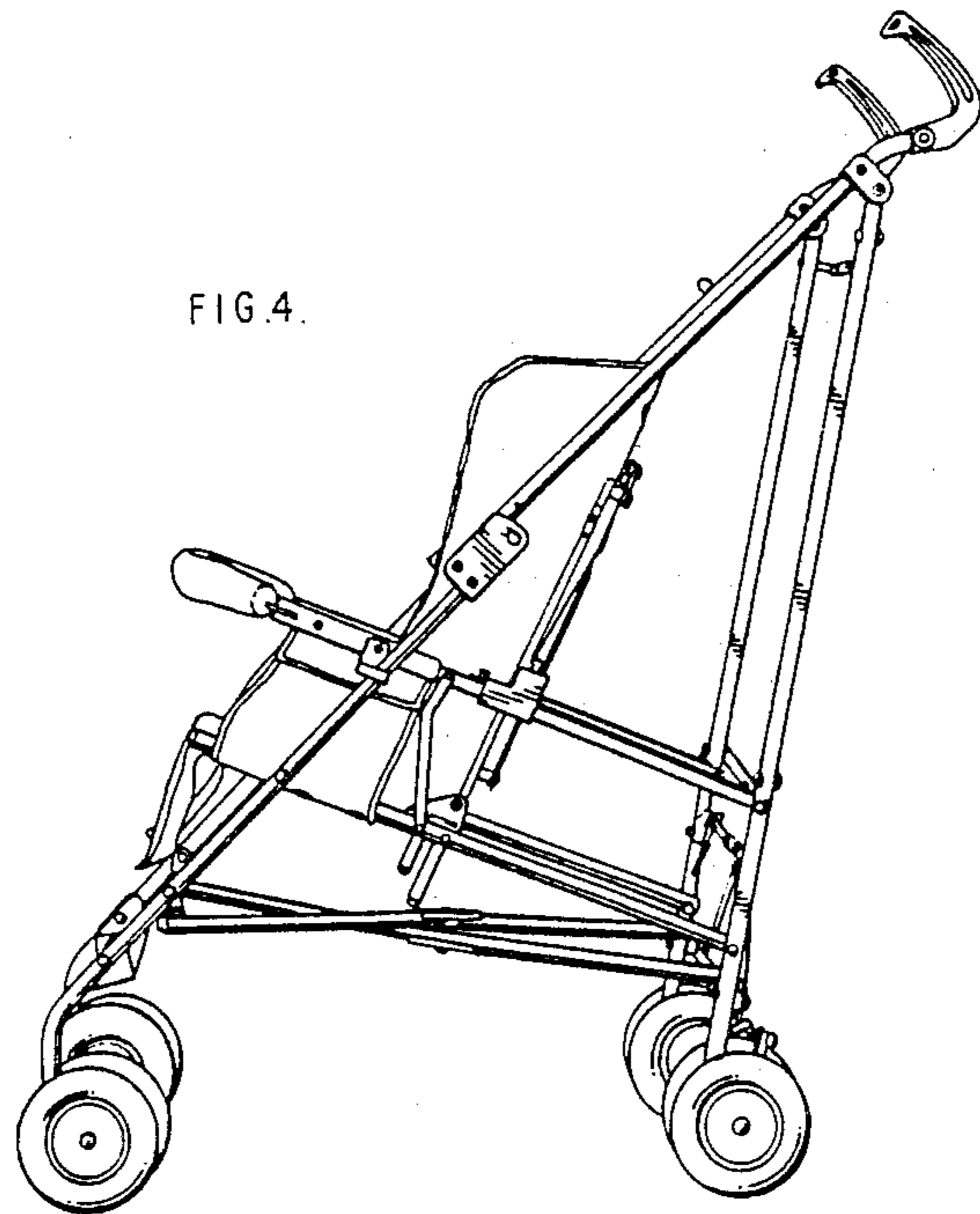
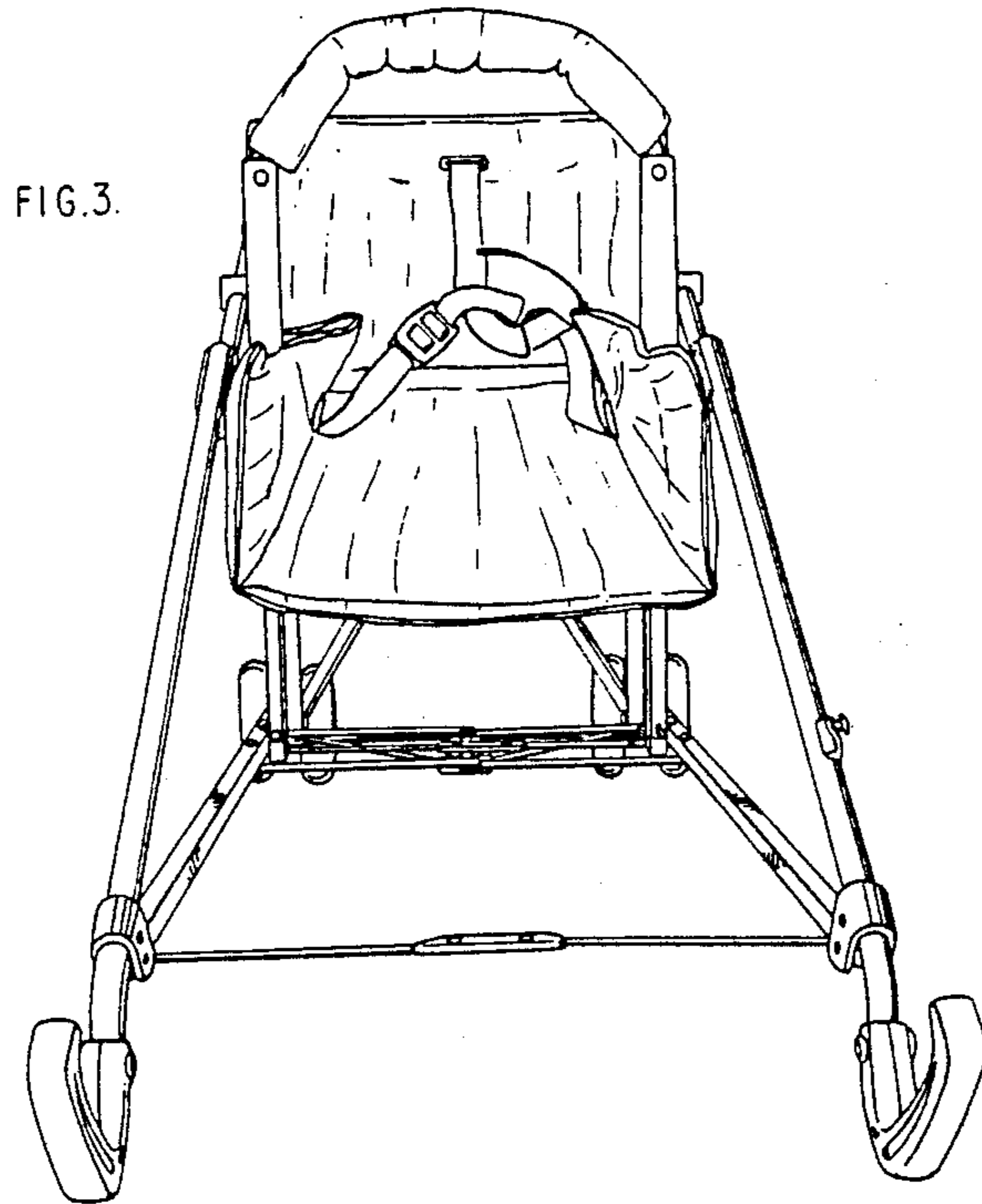


FIG. 2.





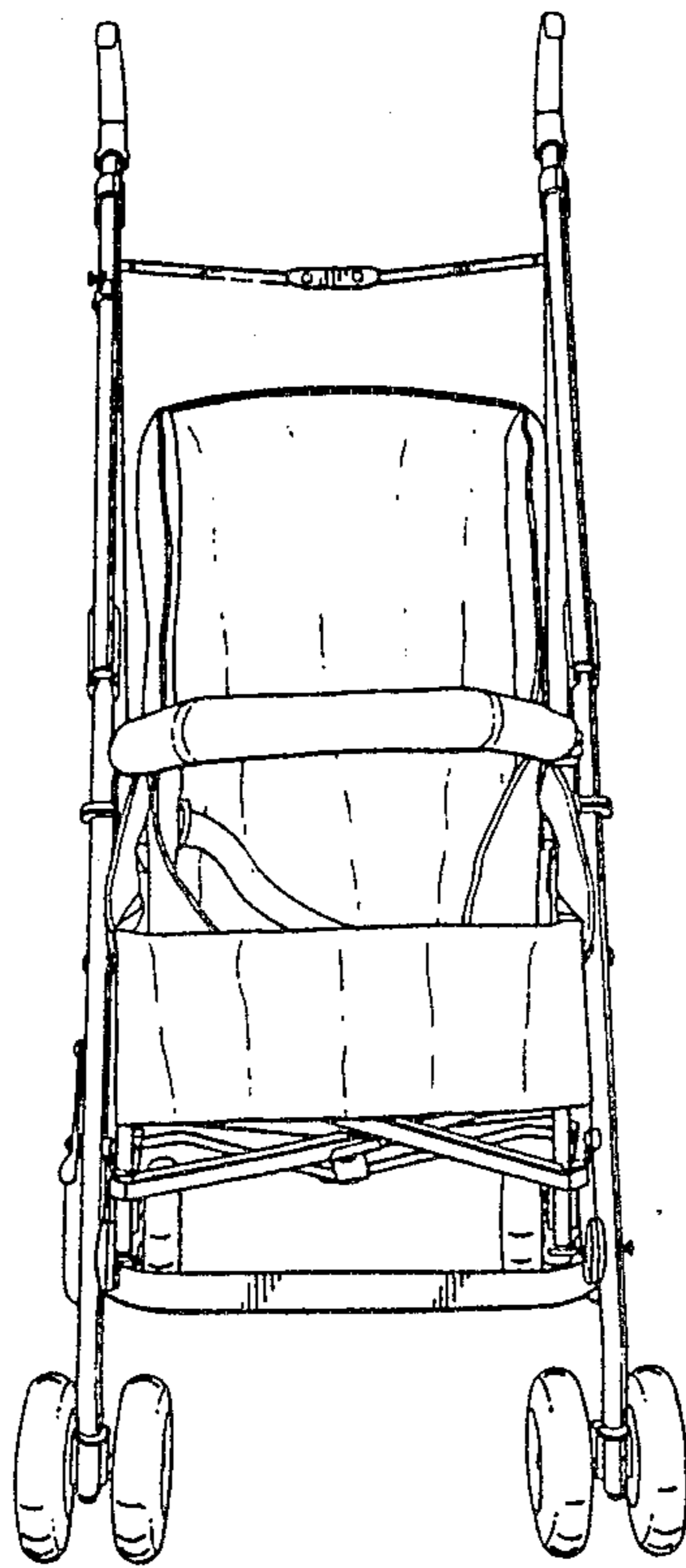


FIG. 5.

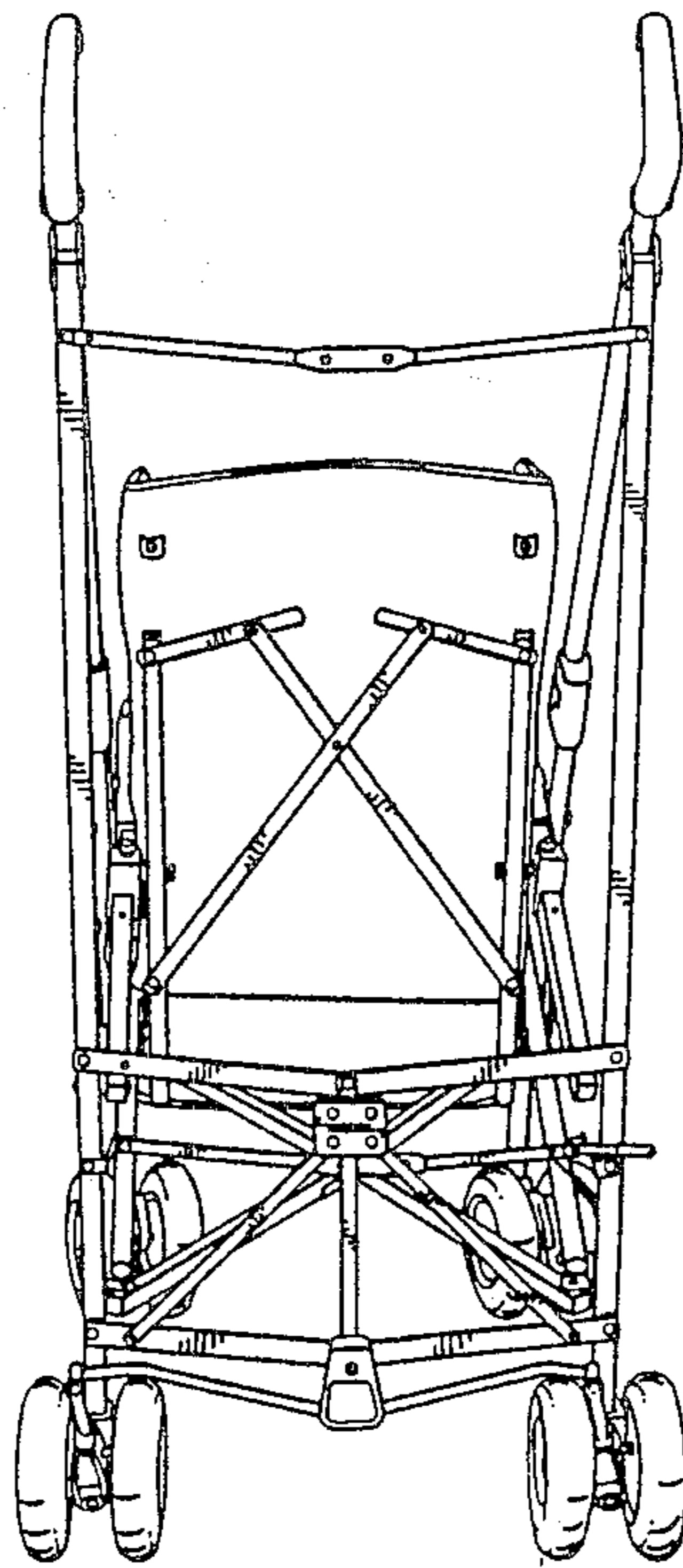


FIG. 6.

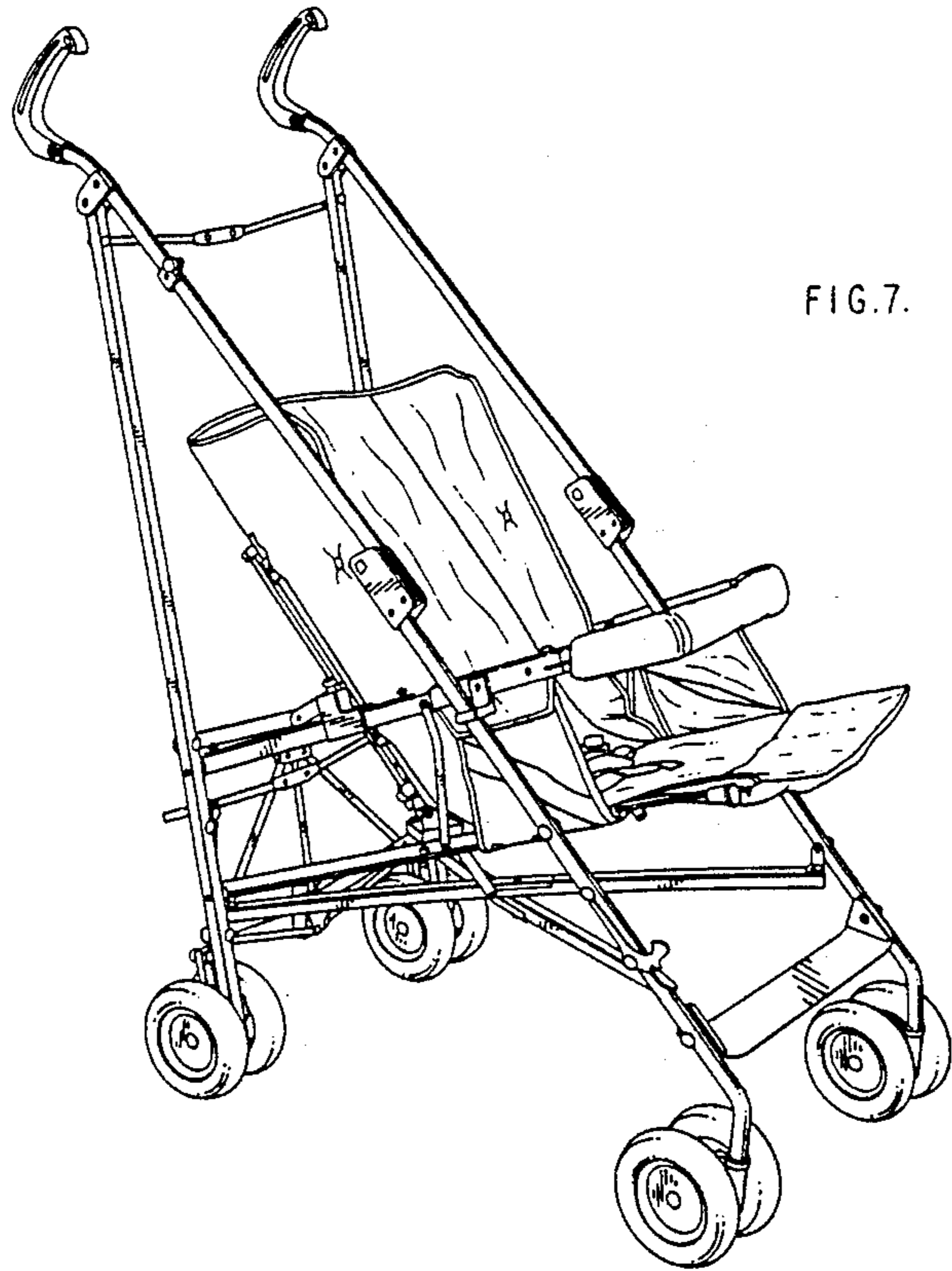


FIG. 7.

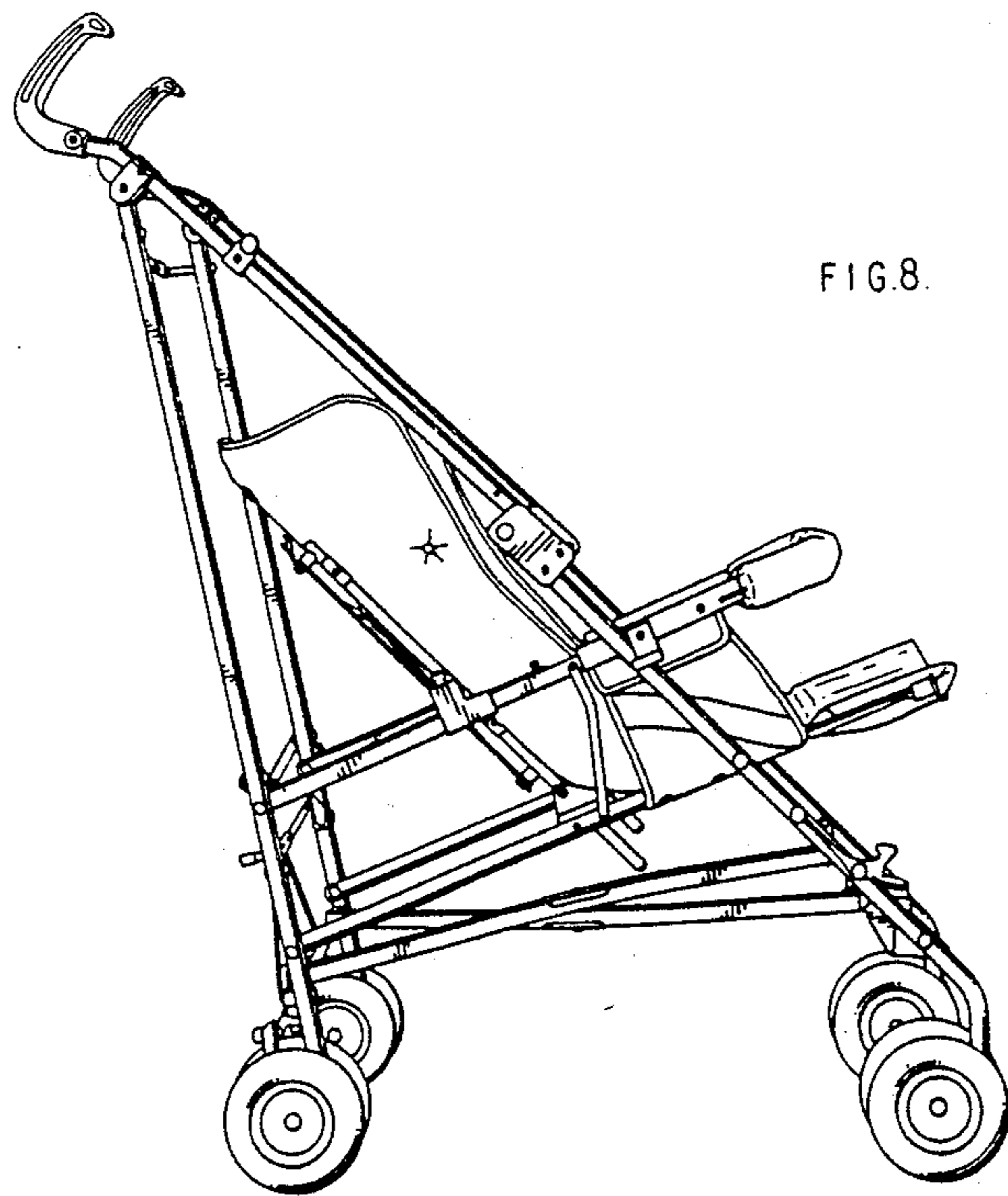
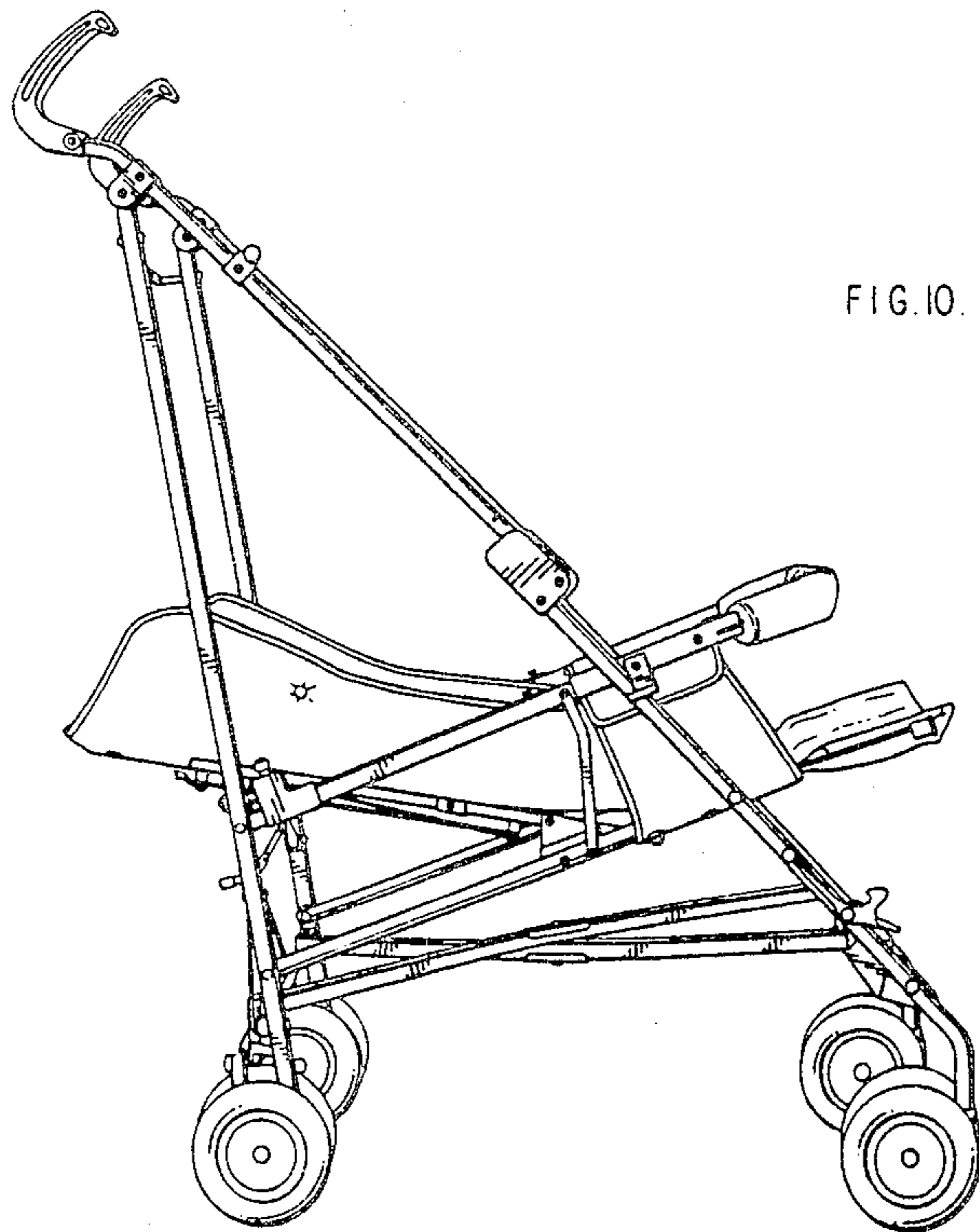
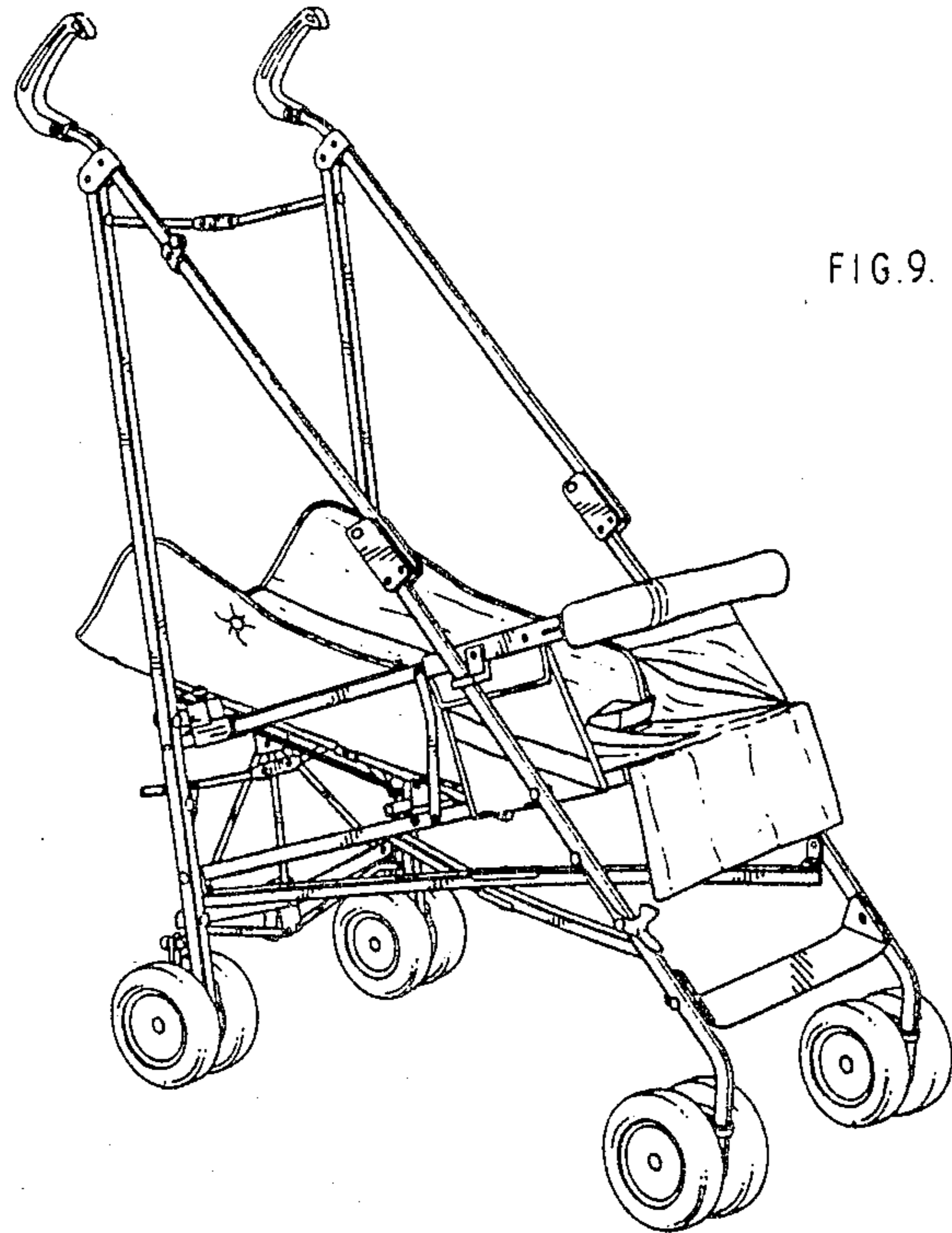


FIG. 8.



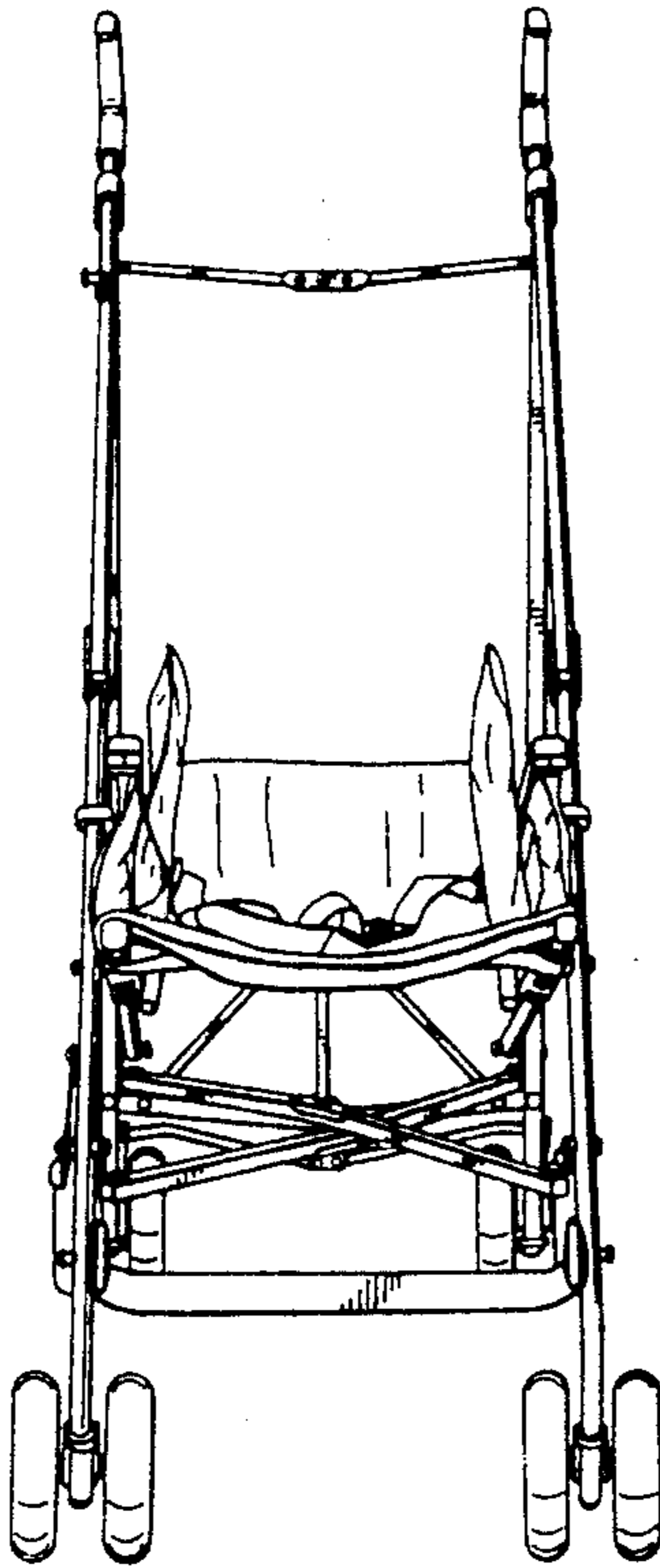


FIG. 11.

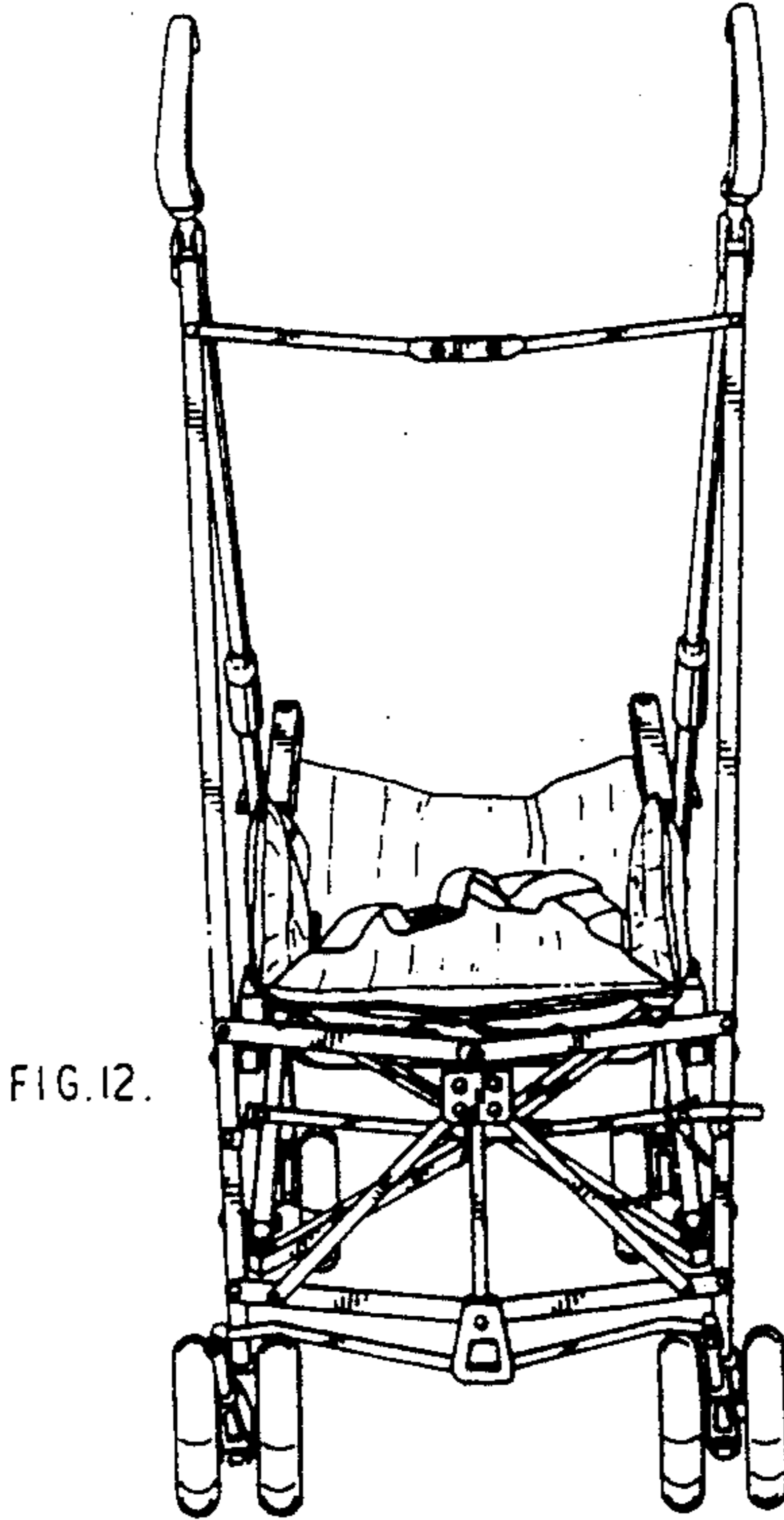


FIG. 12.