

[54] COMBINED TOWING AND ENGINE PULLING WRECKER TRAILER

3,896,949 7/1975 Shipley D12/101
4,323,328 4/1982 Walsh, III 280/402

[75] Inventor: Thomas J. Lucas, P.O. Box 6156, Gulfport, Miss. 39506

Primary Examiner—James M. Gandy
Attorney, Agent, or Firm—Cushman, Darby & Cushman

[73] Assignee: Thomas J. Lucas, Biloxi, Miss.

[57] CLAIM

[**] Term: 14 Years

The ornamental design for a combined towing and engine pulling wrecker trailer, as shown and described.

[21] Appl. No.: 563,868

DESCRIPTION

[22] Filed: Dec. 21, 1983

[52] U.S. Cl. D12/101; D34/34

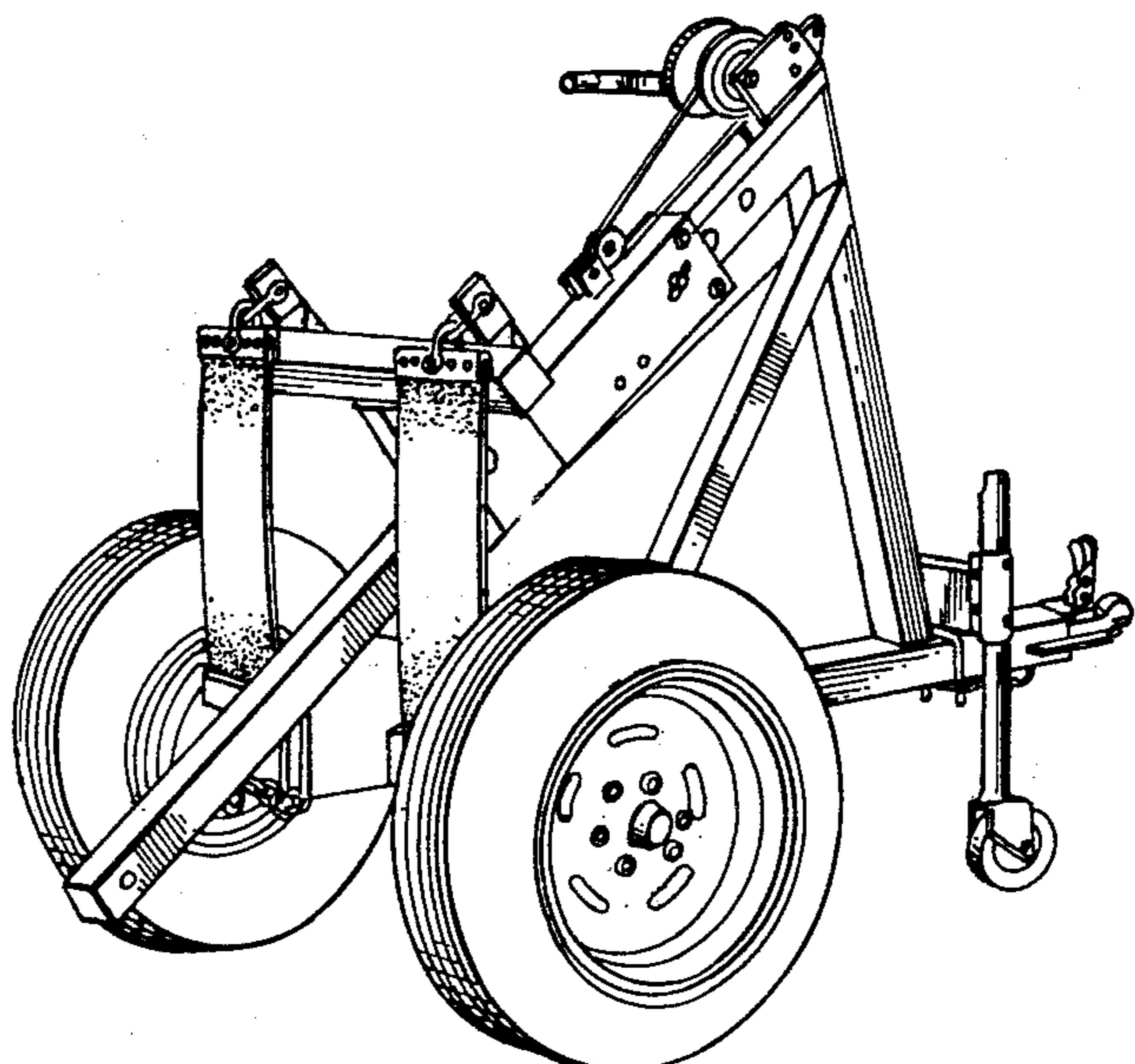
[58] Field of Search D12/101, 14; D34/34; 414/563; 280/402

FIG. 1 is a perspective view of a combined towing and engine pulling wrecker trailer showing my new design from the rear and side in towing condition; FIG. 2 is a top plan view thereof; FIG. 3 is a side elevational view thereof from the side opposite that shown in FIG. 1; FIG. 4 is a rear elevational view thereof; and FIG. 5 is a perspective view thereof from the rear and side opposite to that shown in FIG. 1 in engine pulling condition which comprises the substitution of boom assembly for the lifting straps assembly and the addition of a towing dolly.

[56] References Cited

U.S. PATENT DOCUMENTS

3,627,154	12/1971	Troup	414/563
3,720,330	3/1973	Forse et al.	280/402
3,825,132	7/1974	Colangelo	414/563
3,841,506	10/1974	Smith	280/402



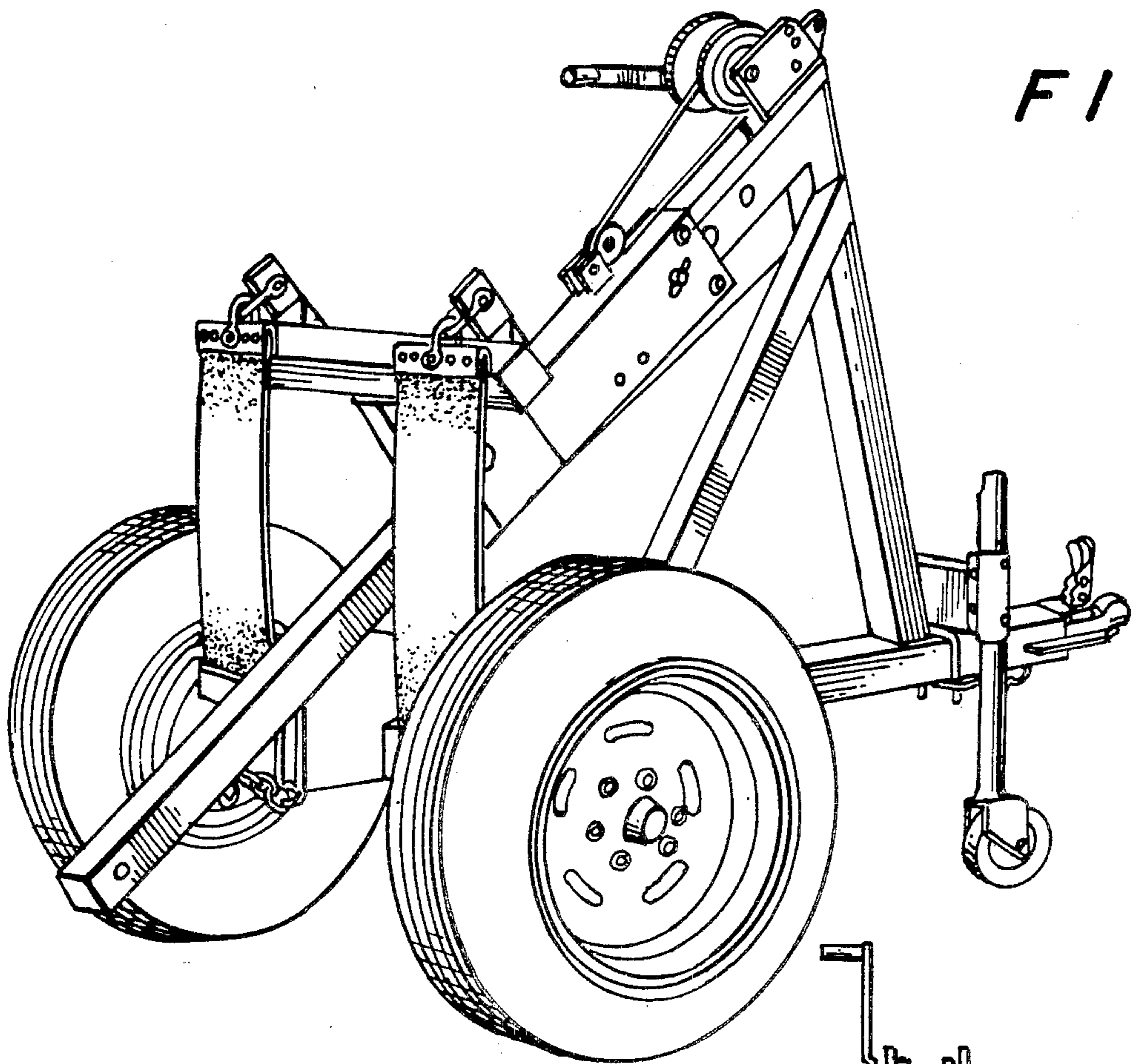
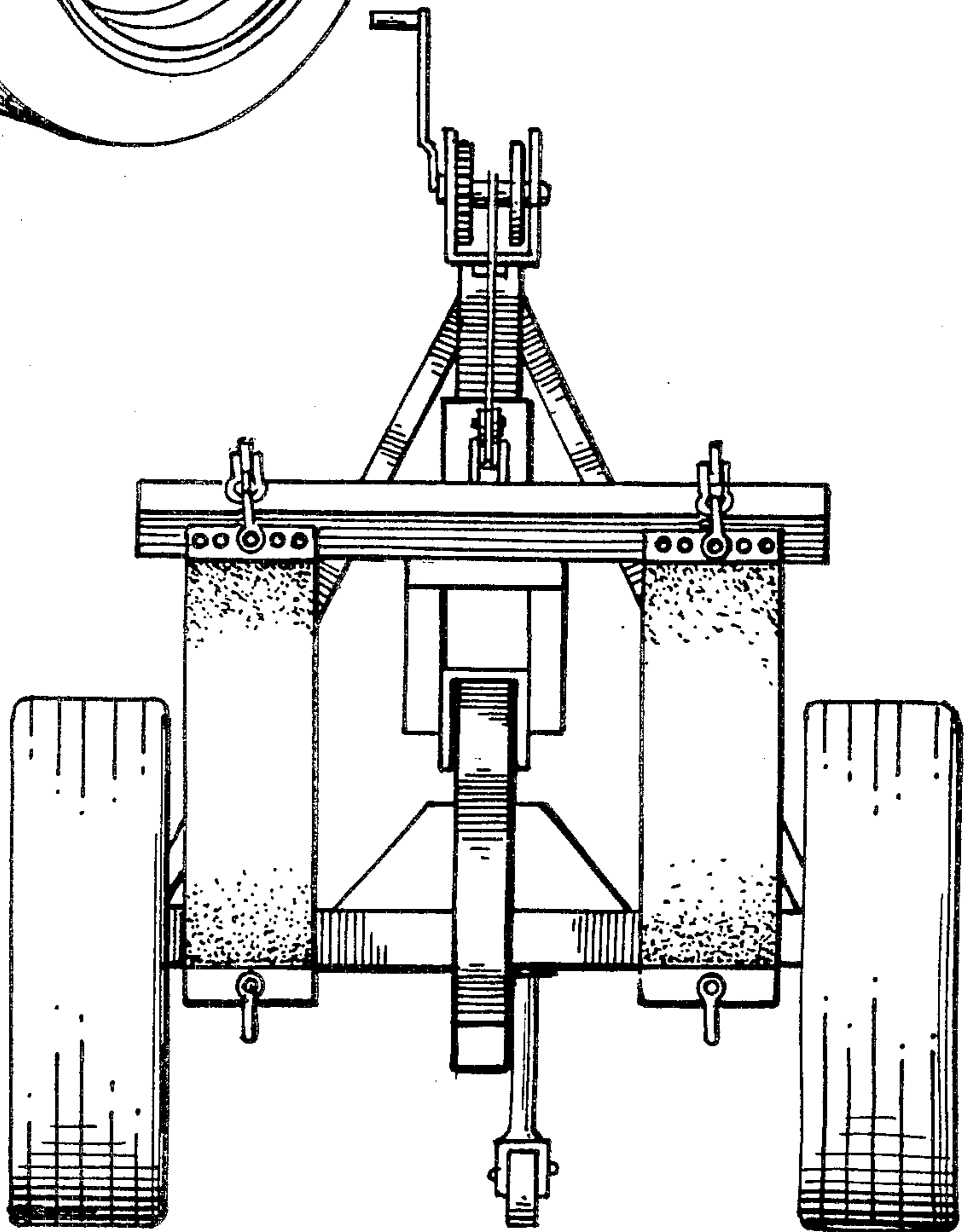
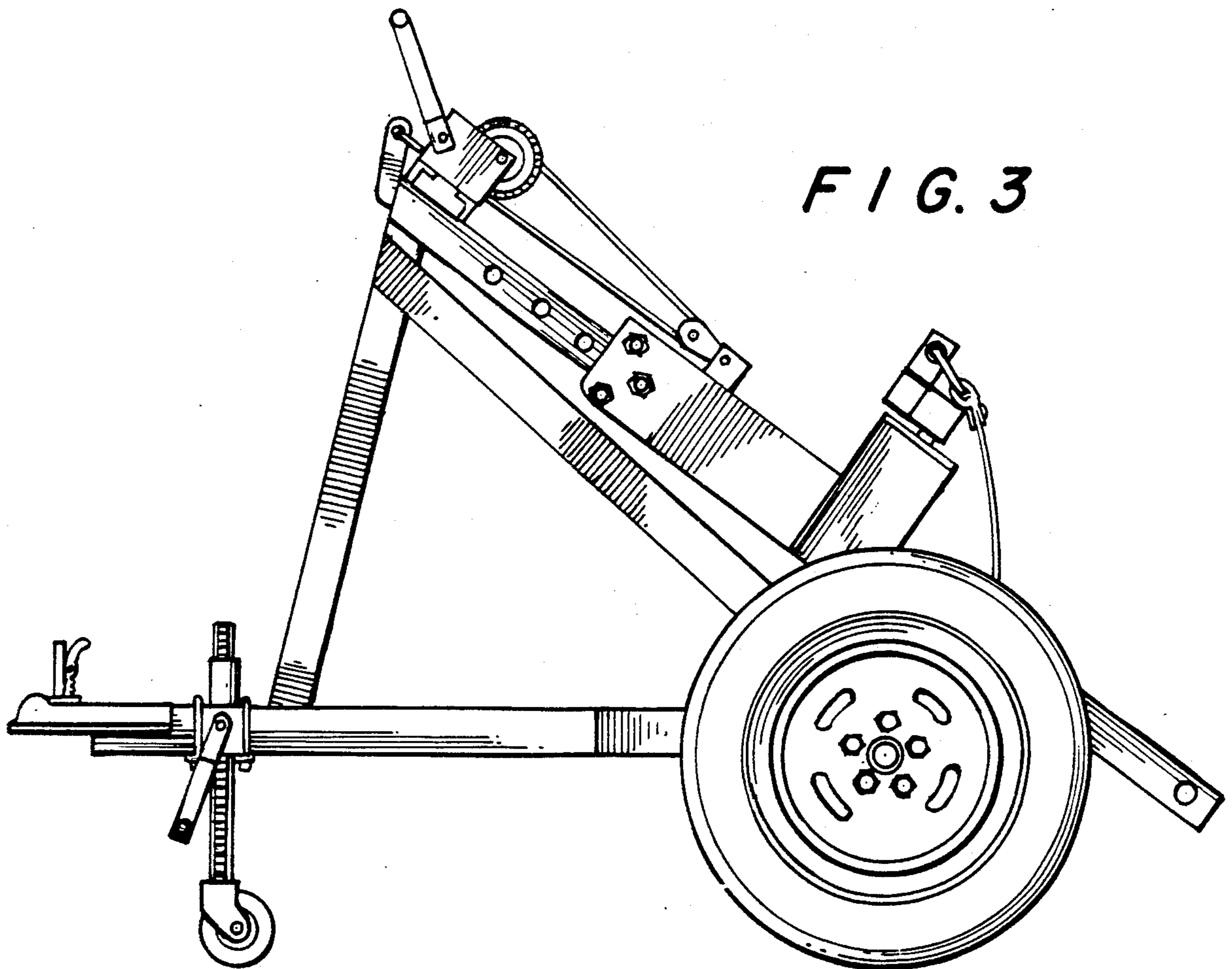
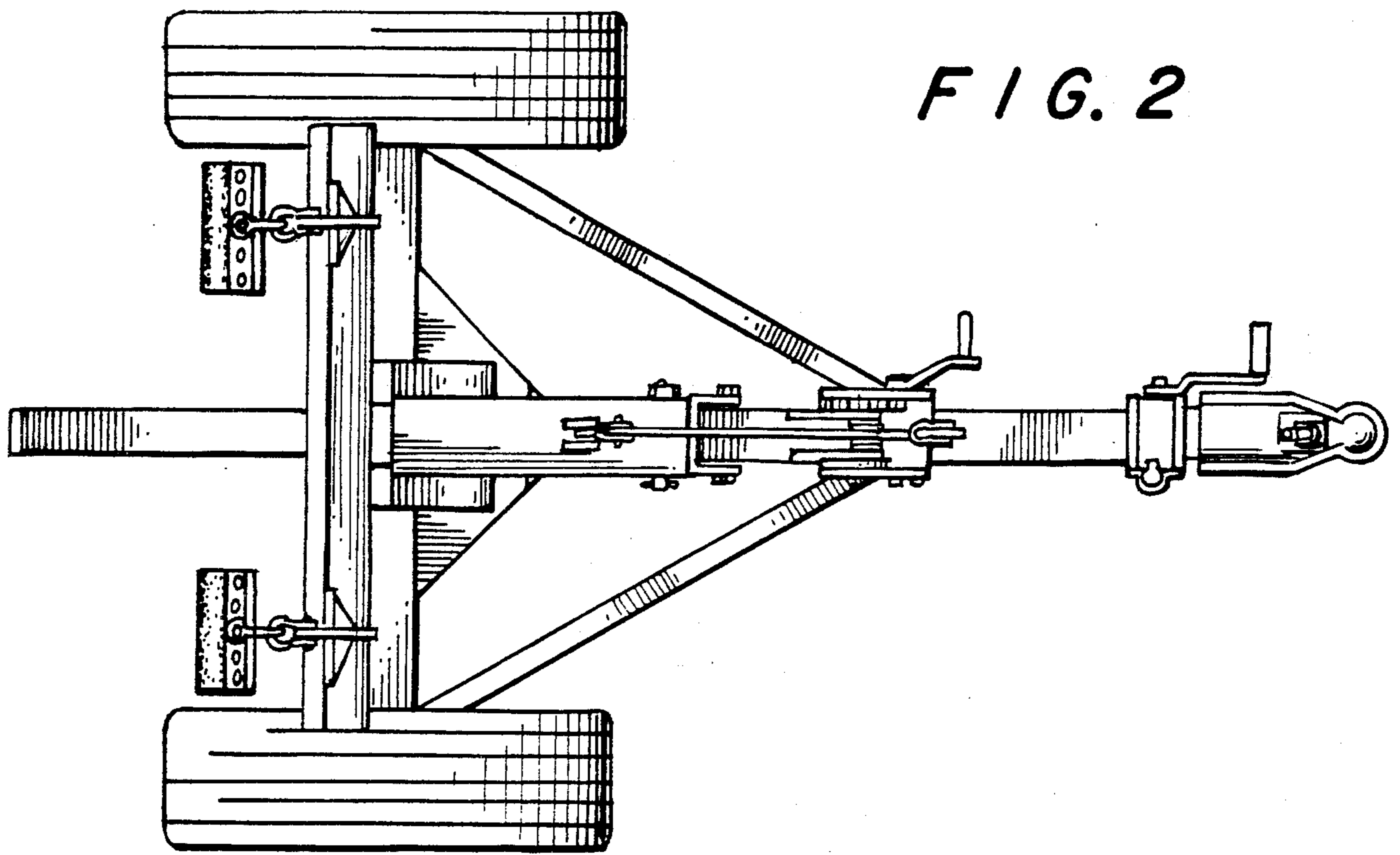


FIG. 1

FIG. 4





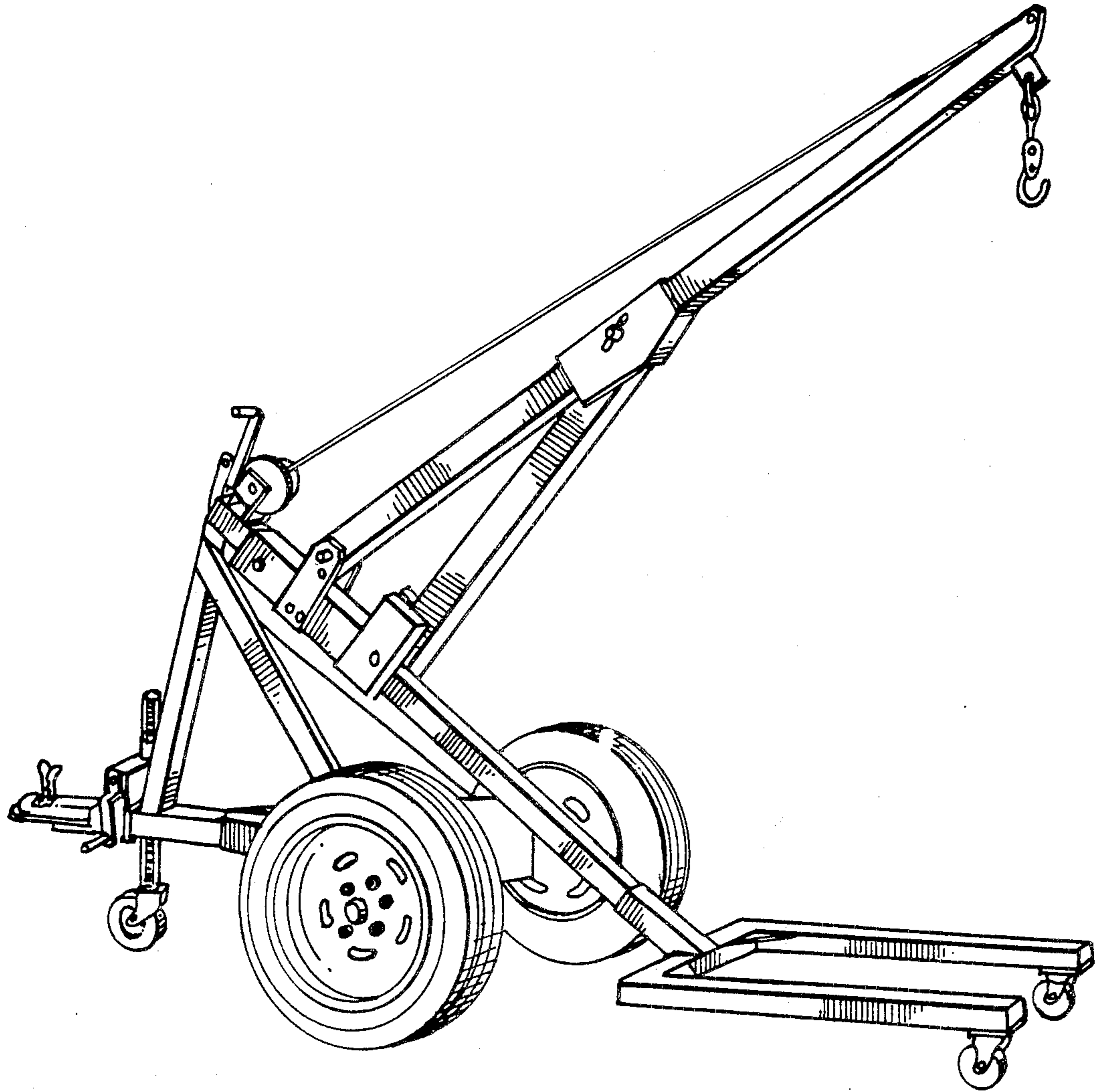


FIG. 5