

[54] RETRACTABLE KNIFE

[75] Inventor: Ralph F. Osterhout, San Francisco, Calif.

[73] Assignee: TEKNA, Belmont, Calif.

[\*\*] Term: 14 Years

[21] Appl. No.: 634,232

[22] Filed: Jul. 24, 1984

[52] U.S. Cl. .... D8/99

[58] Field of Search ..... D8/14, 98-100, D8/106, 107, 104; 30/153-162, 335-339, 343, 344; 7/160

[56] References Cited

U.S. PATENT DOCUMENTS

D. 264,804	6/1982	Machida	.....	D8/99
2,599,439	6/1952	Drake	.....	30/339
2,998,650	9/1961	Latham	.....	30/162

FOREIGN PATENT DOCUMENTS

1069862	7/1954	France	.....	30/159
9044	of 1885	United Kingdom	.....	7/160

Primary Examiner—Susan J. Lucas  
Assistant Examiner—C. E. Heflin  
Attorney, Agent, or Firm—Townsend & Townsend

[57] CLAIM

The ornamental design for a retractable knife, as shown and described.

DESCRIPTION

FIG. 1 is a perspective view of the retractable knife showing my new design with the blade shown retracted;

FIG. 2 is a top plan view thereof;

FIG. 3 is a front elevational view thereof;

FIG. 4 is a right side elevational view thereof;

FIG. 5 is a left side elevational view thereof;

FIG. 6 is a rear elevational view thereof;

FIG. 7 is a bottom plan view thereof;

FIG. 8 is a perspective view of the retractable knife showing my new design with the blade shown extended;

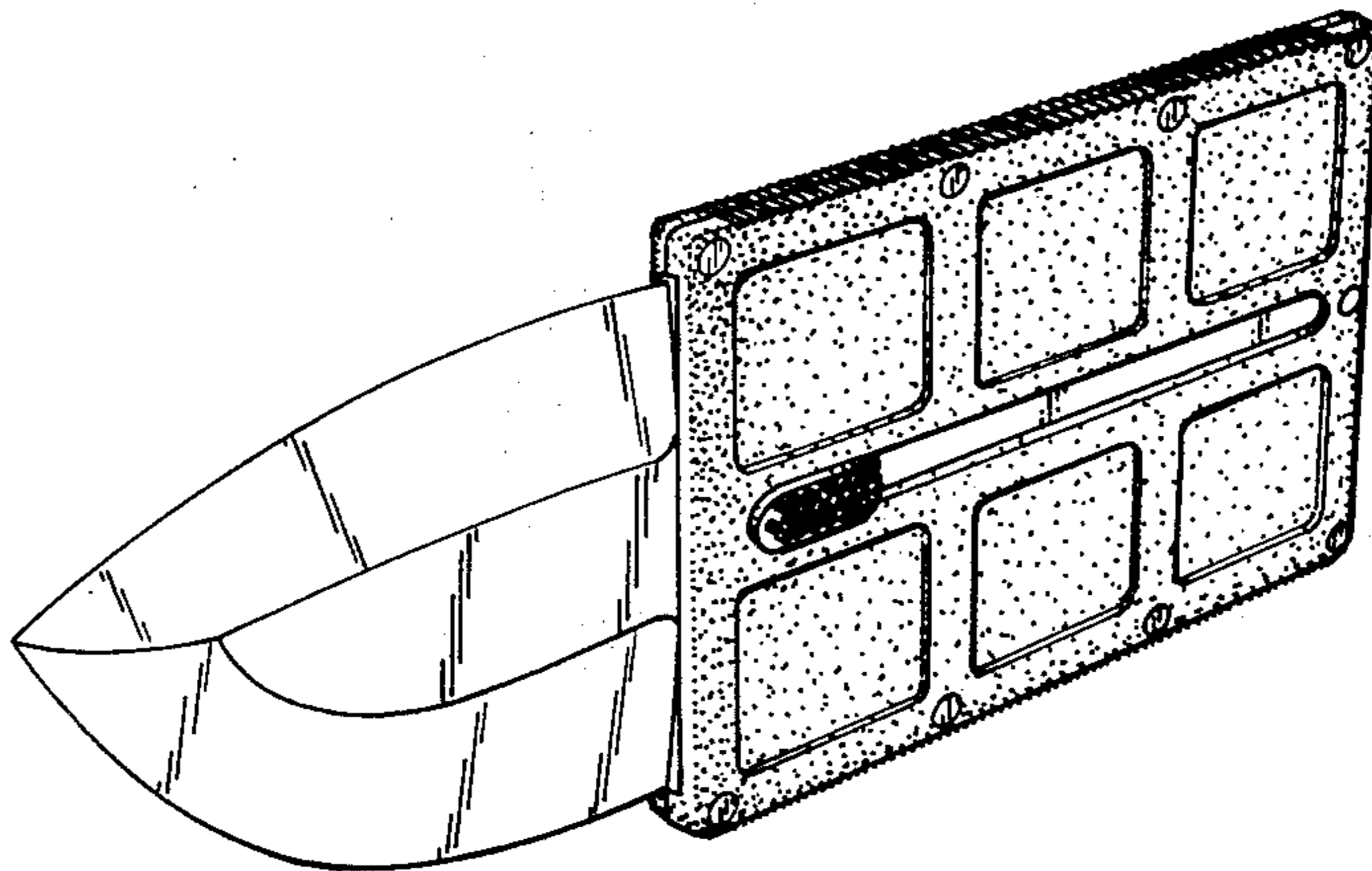
FIG. 9 is a top plan view thereof;

FIG. 10 is a front elevational view thereof;

FIG. 11 is a right side elevational view thereof;

FIG. 12 is a left side elevational view thereof;

FIG. 13 is a bottom plan view thereof.



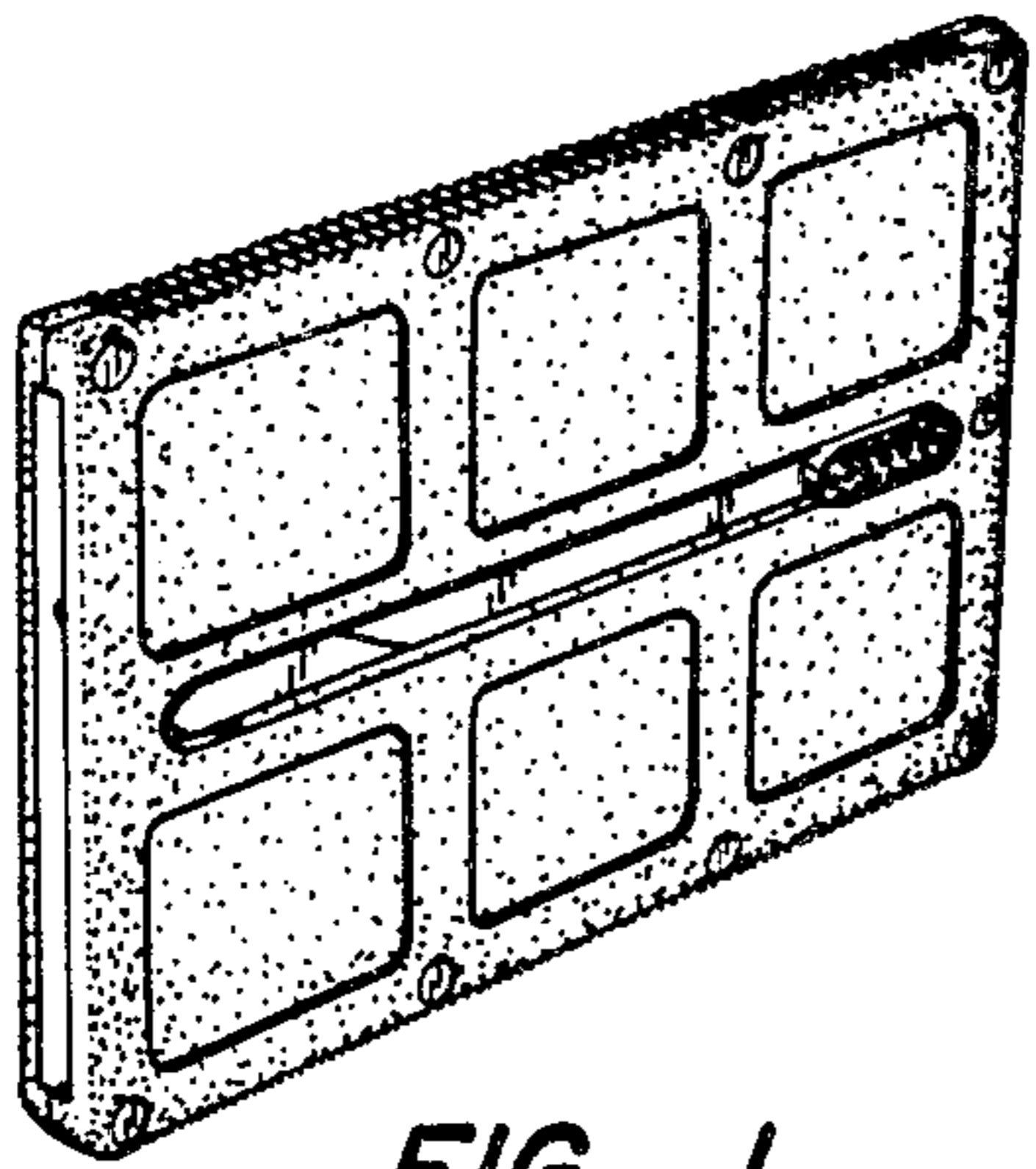


FIG. 1.



FIG. 2.



FIG. 6.

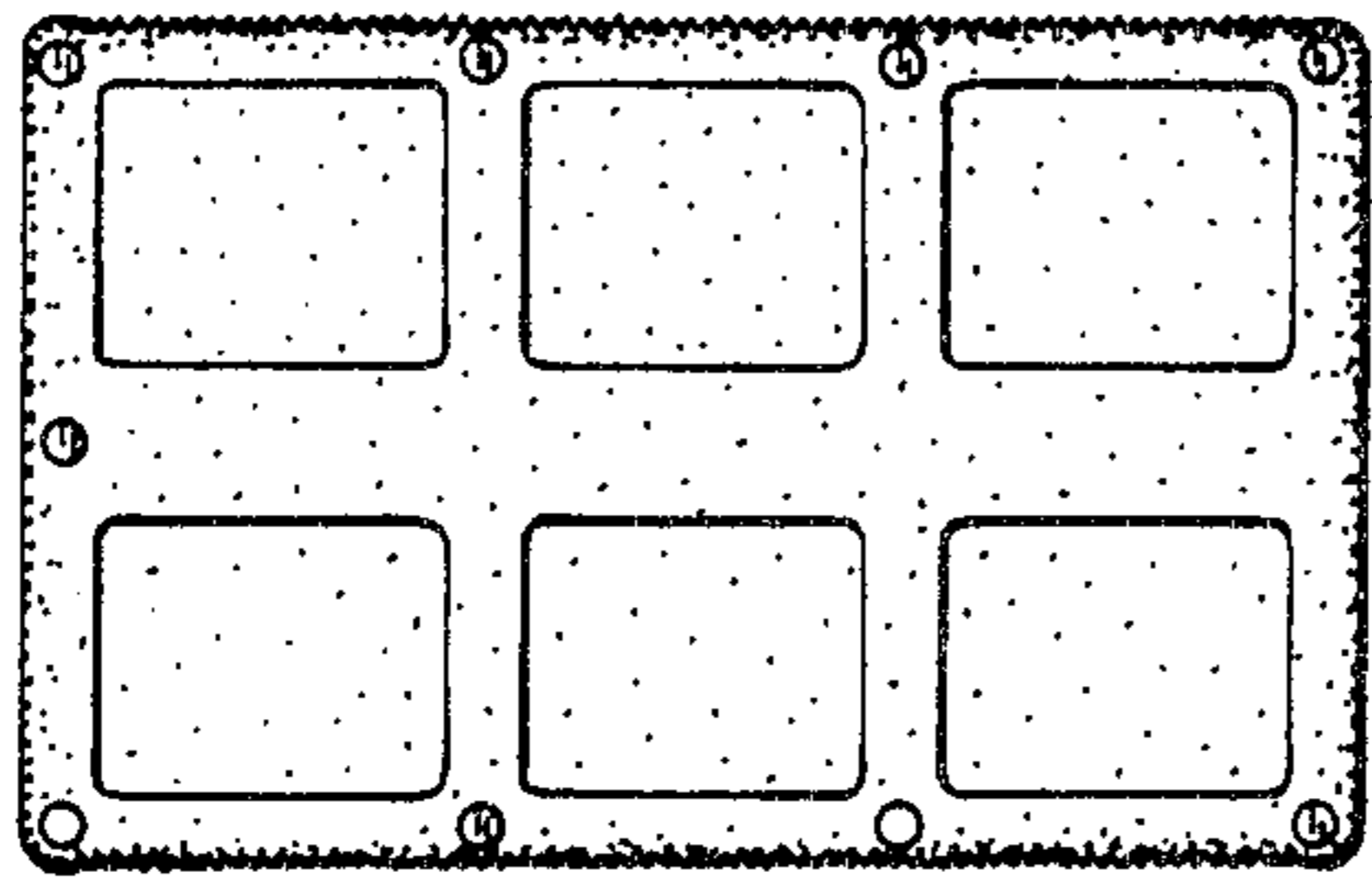


FIG. 5.



FIG. 3.

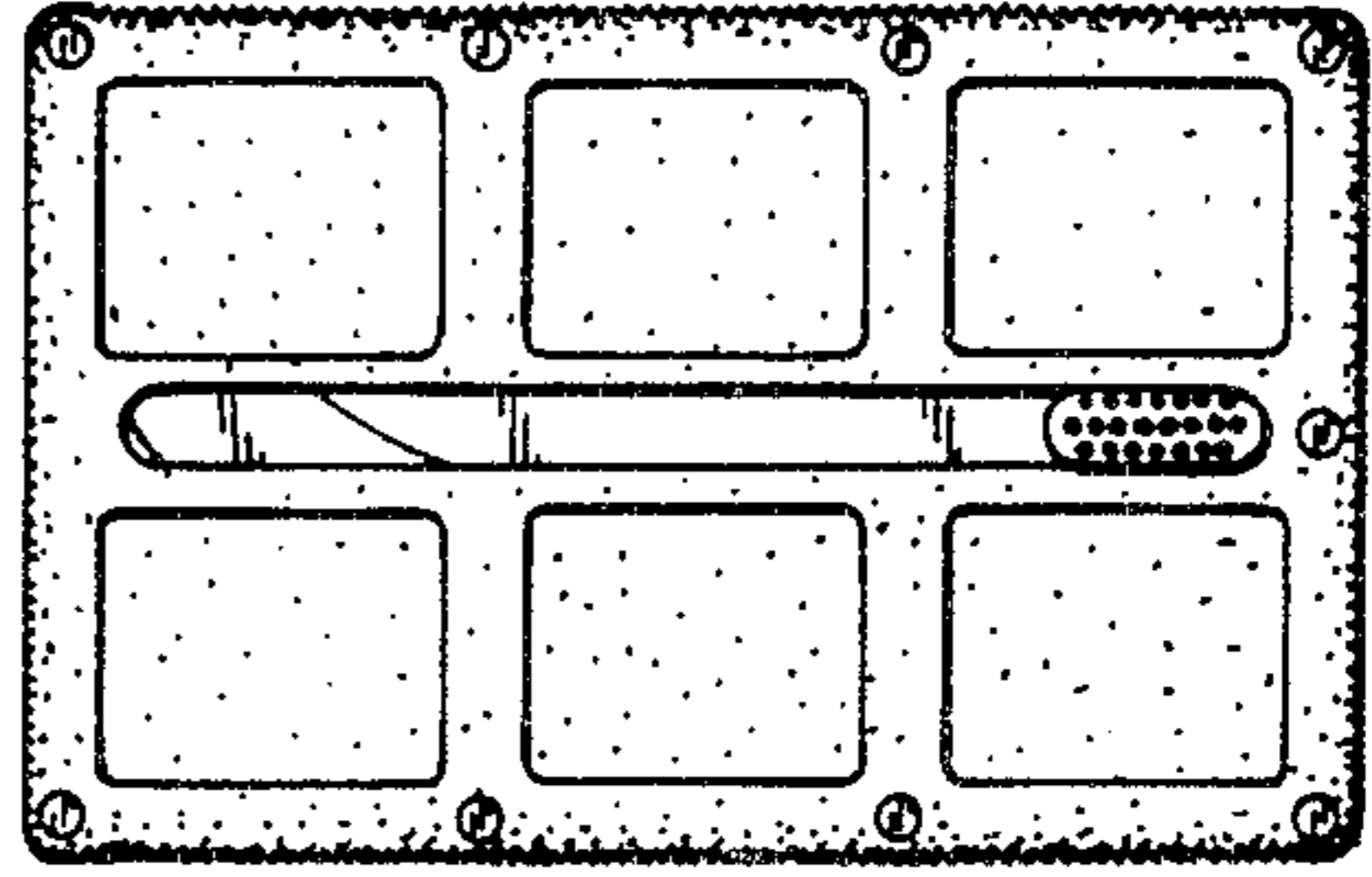


FIG. 4.



FIG. 7.



FIG. 9.

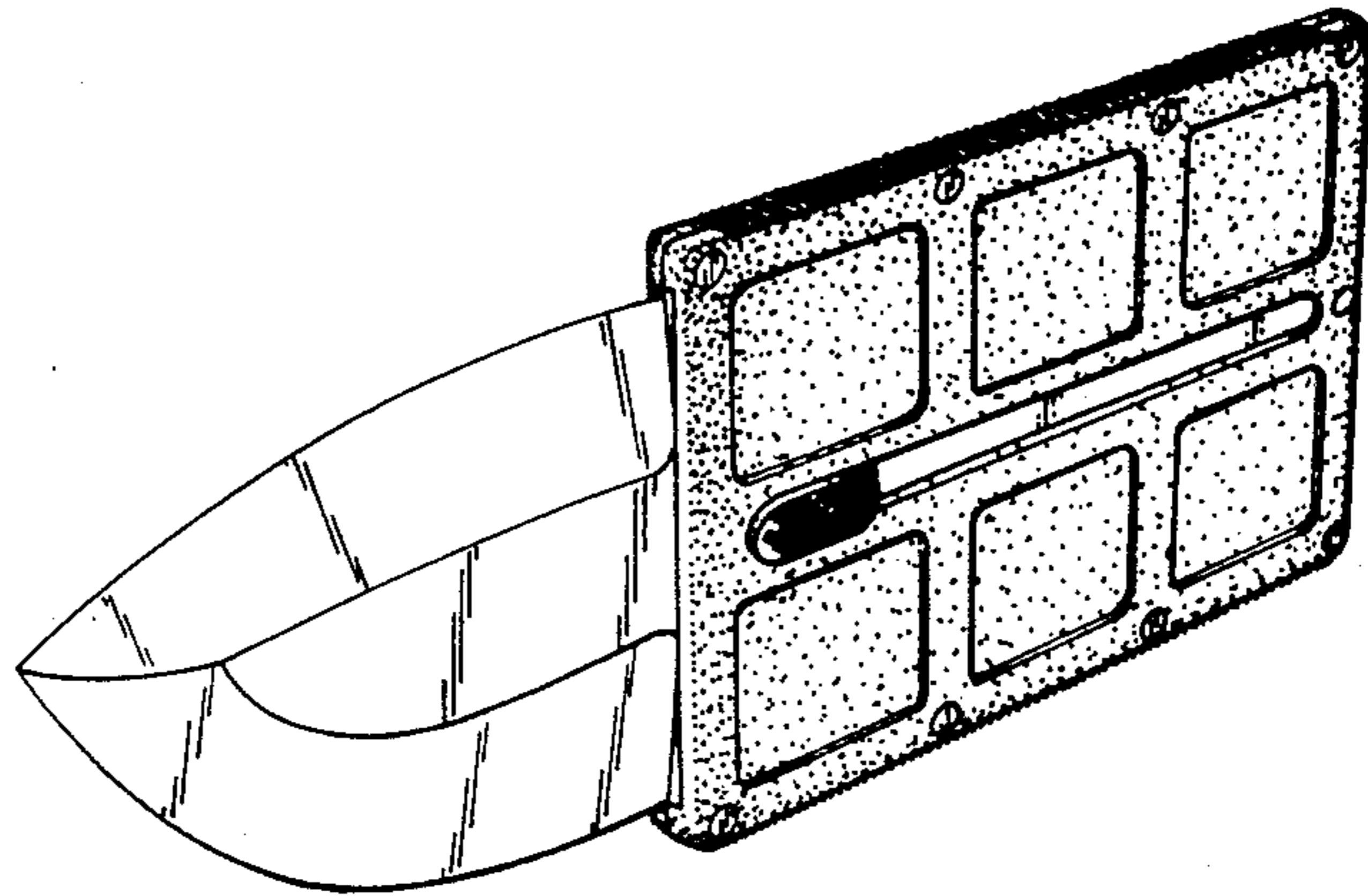


FIG. 8.



FIG. 10.

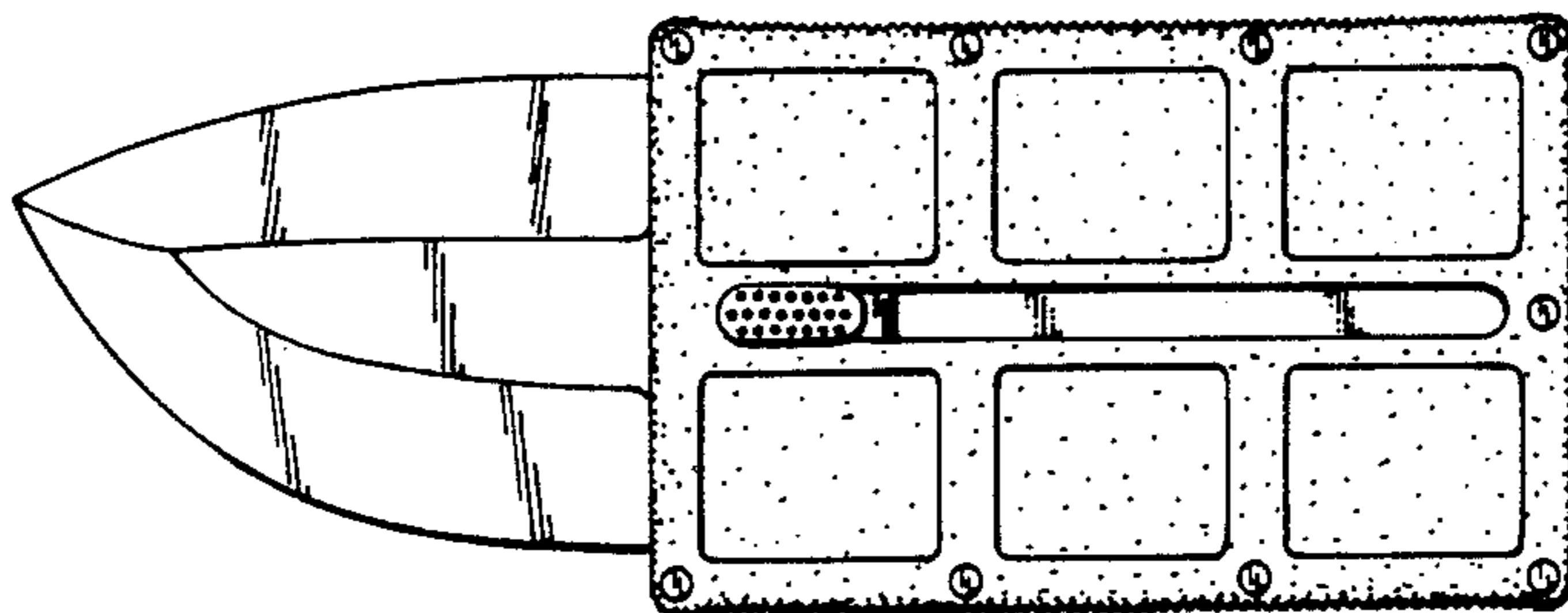


FIG. 11.

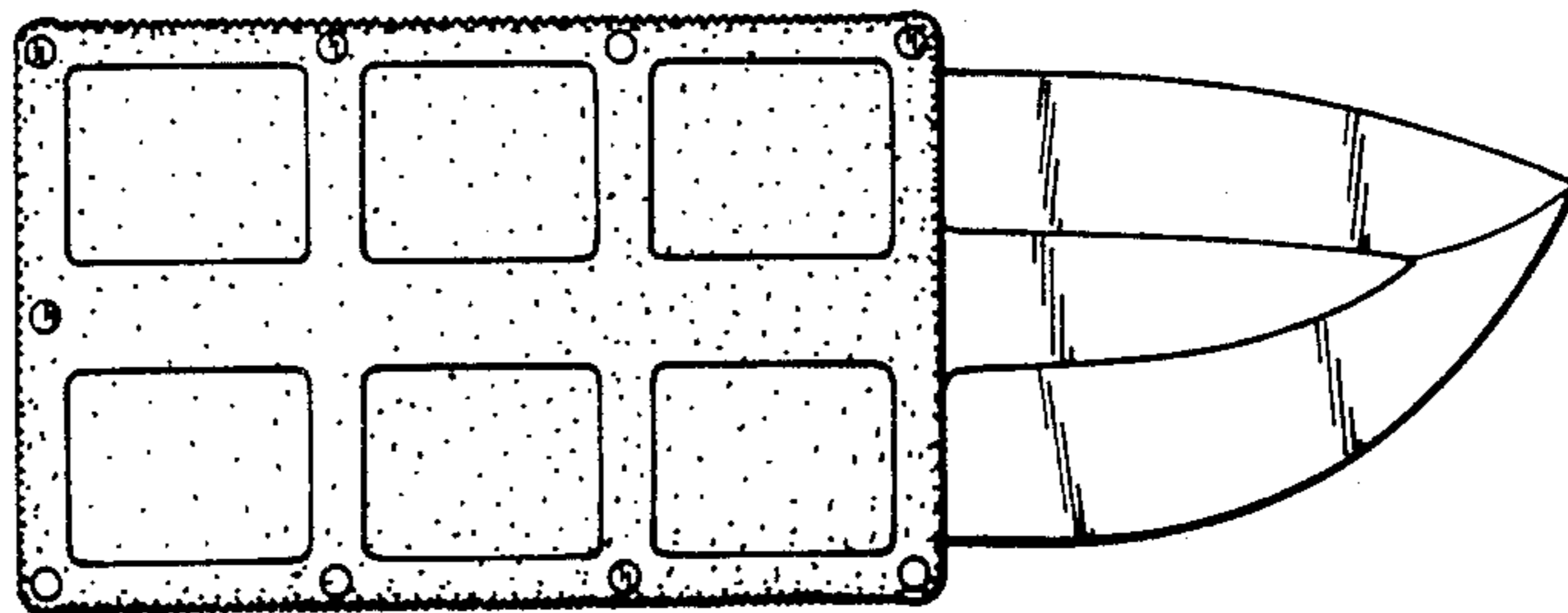


FIG. 12.



FIG. 13.