

[54] **ELECTRIC CHAINSAW**

[75] **Inventors:** Etsushi Yamamoto, Ibara; Kazuyuki Takahashi, Hiroshima; Yasuhiro Oe, Higashi-Hiroshima, all of Japan

[73] **Assignee:** Ryobi Limited, Hiroshima, Japan

[**] **Term:** 14 Years

[21] **Appl. No.:** 622,218

[22] **Filed:** Jun. 19, 1984

[30] **Foreign Application Priority Data**

Feb. 22, 1984 [JP] Japan 59-6631
Feb. 22, 1984 [JP] Japan 59-6632

[52] **U.S. Cl.** D8/65

[58] **Field of Search** D8/61-69;
30/381-386; D15/1

[56] **References Cited**

U.S. PATENT DOCUMENTS

D. 223,600 5/1972 Averitt D8/65
D. 255,770 7/1980 Asamoto D8/65
4,193,193 3/1980 Holzworth 30/382

FOREIGN PATENT DOCUMENTS

2098272 11/1982 United Kingdom 30/383

OTHER PUBLICATIONS

McCulloch Advertising Brochure ©1972, p. 1, "Mini Mac Electric" Chainsaw.

PCT Application No. 8200438 published 2-1982, "Safety Braking Apparatus for a Portable Chainsaw".

Primary Examiner—Susan J. Lucas

Assistant Examiner—C. E. Heflin

Attorney, Agent, or Firm—Frishauf, Holtz, Goodman & Woodward

[57] **CLAIM**

The ornamental design for an electric chainsaw, as shown and described.

DESCRIPTION

FIG. 1 is a front elevational view of an electric chainsaw showing our new design;

FIG. 2 is a rear elevational view thereof;

FIG. 3 is a bottom plan view thereof;

FIG. 4 is a front-right side perspective view thereof;

FIG. 5 is a rear-right side perspective view thereof;

FIG. 6 is a front elevational view of a modified embodiment of the electric chainsaw shown in FIG. 1.

FIG. 7 is a rear elevational view thereof;

FIG. 8 is a bottom plan view thereof;

FIG. 9 is a front-right side perspective view thereof; and

FIG. 10 is a rear-right side perspective view thereof.

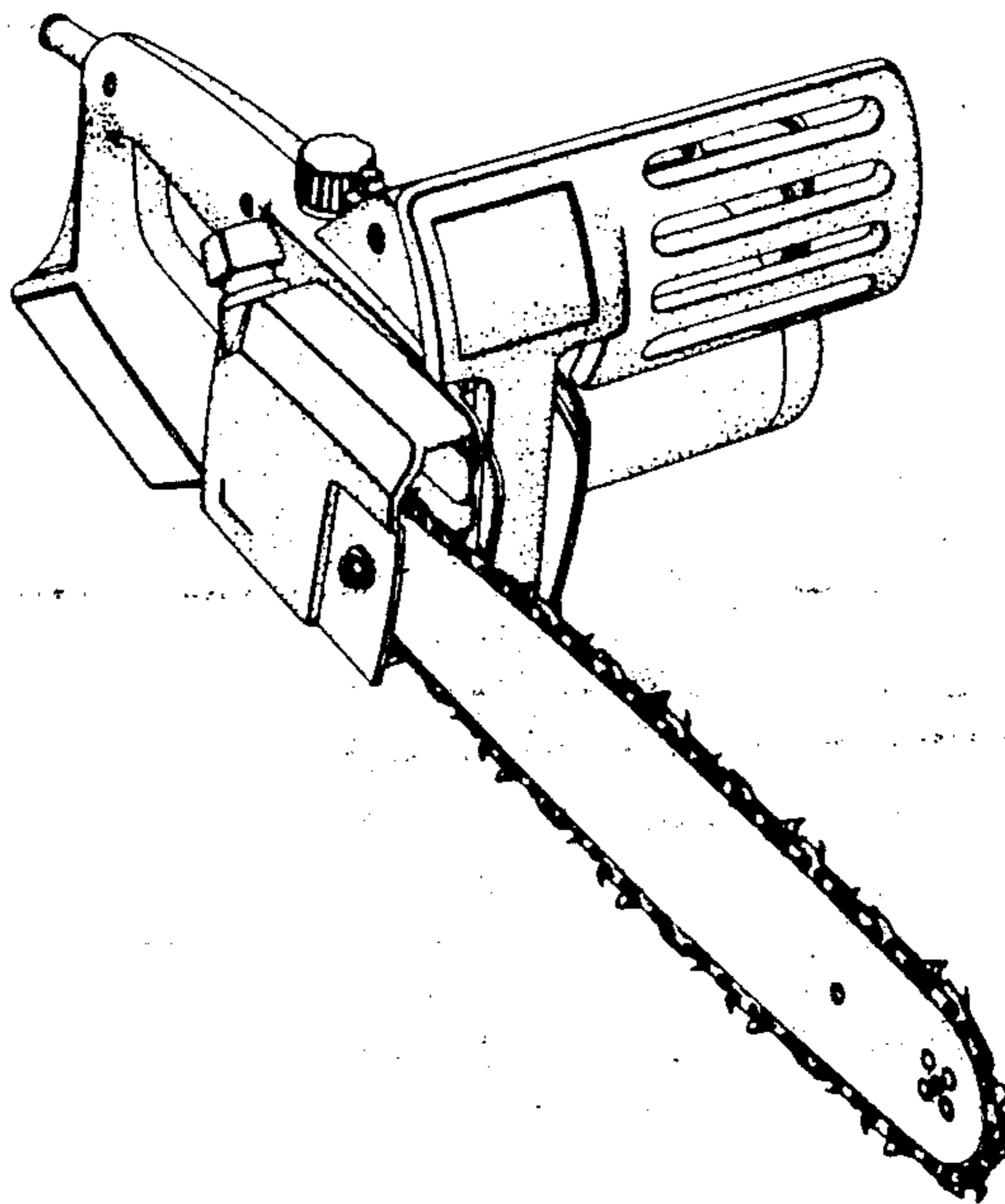


FIG. 1

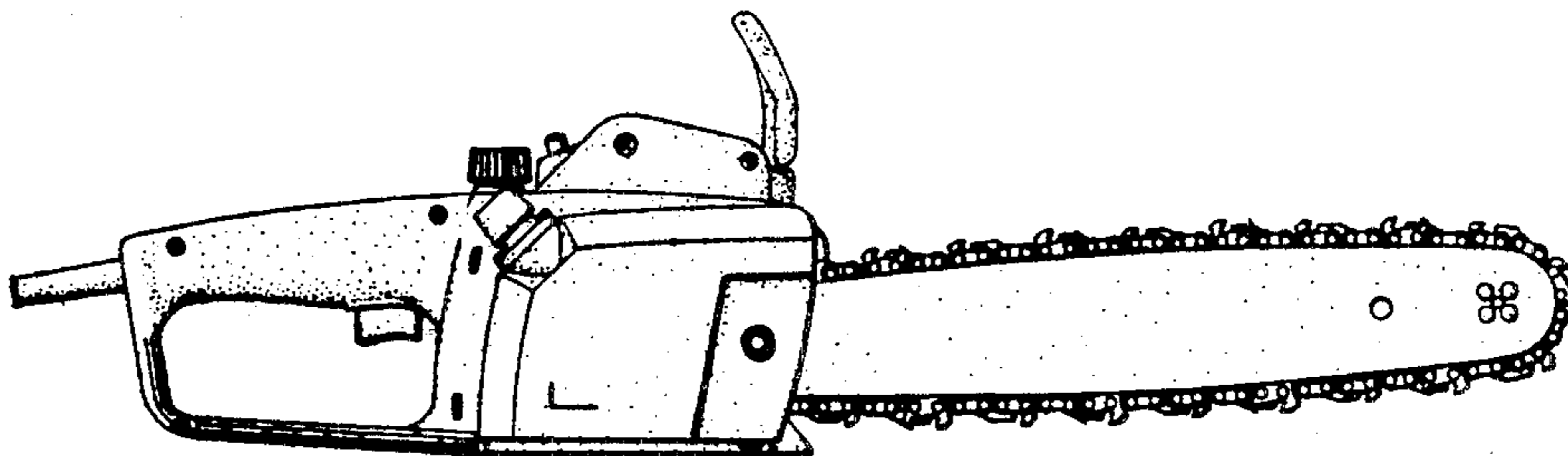


FIG. 2

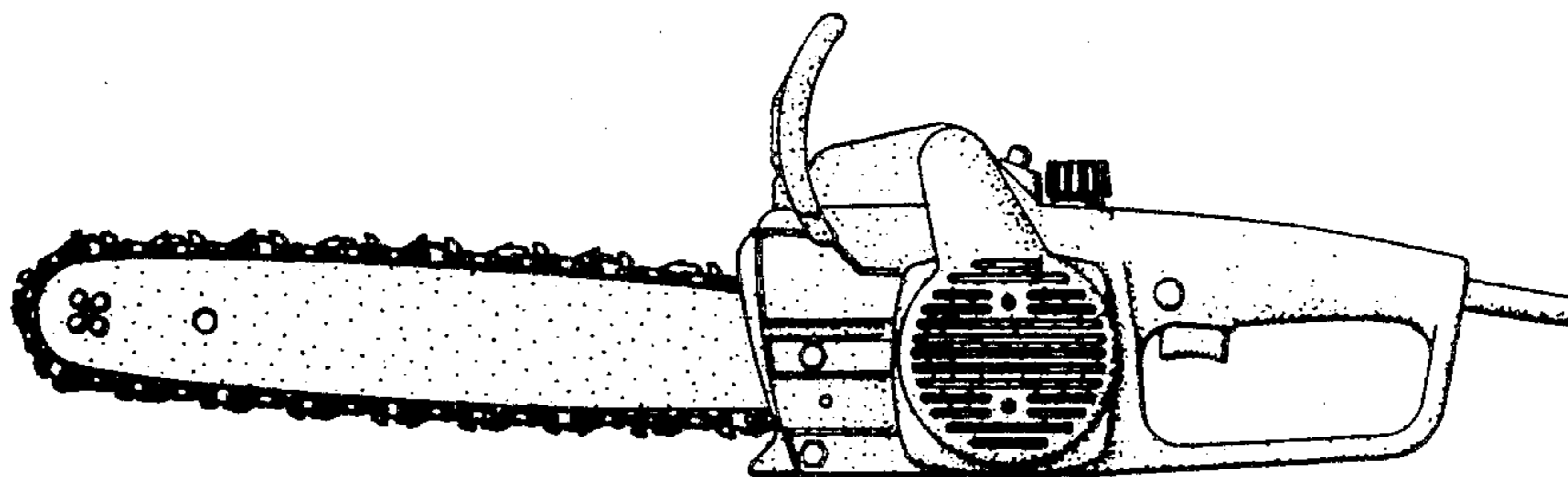


FIG. 3

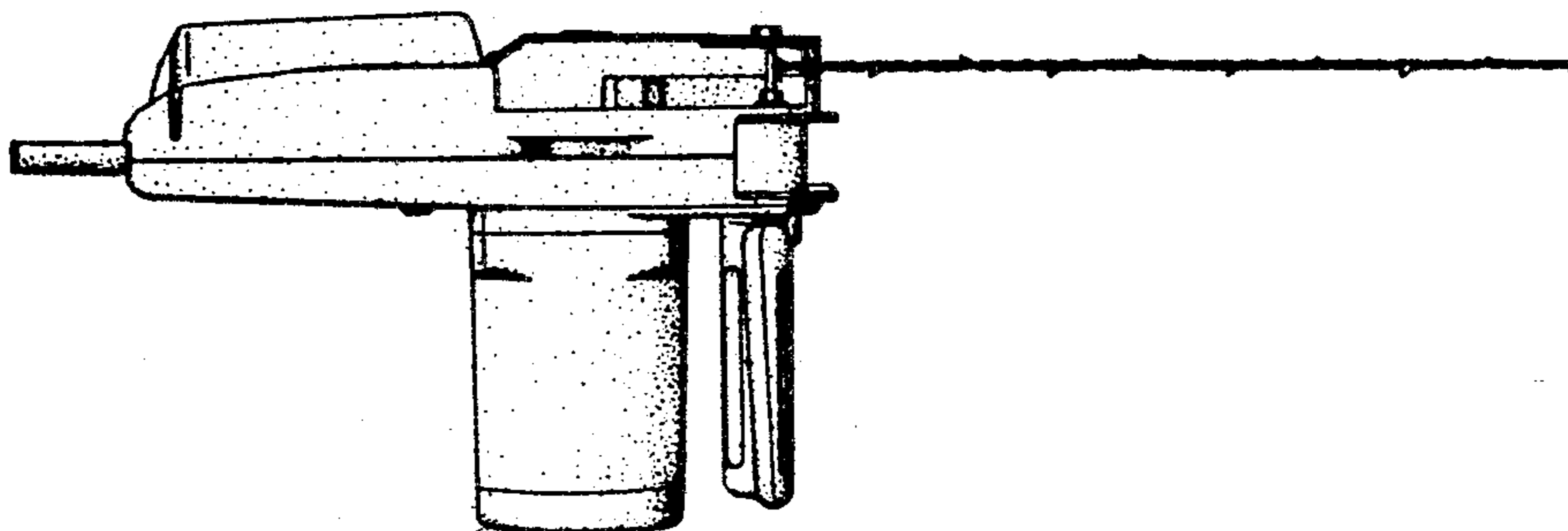


FIG. 4

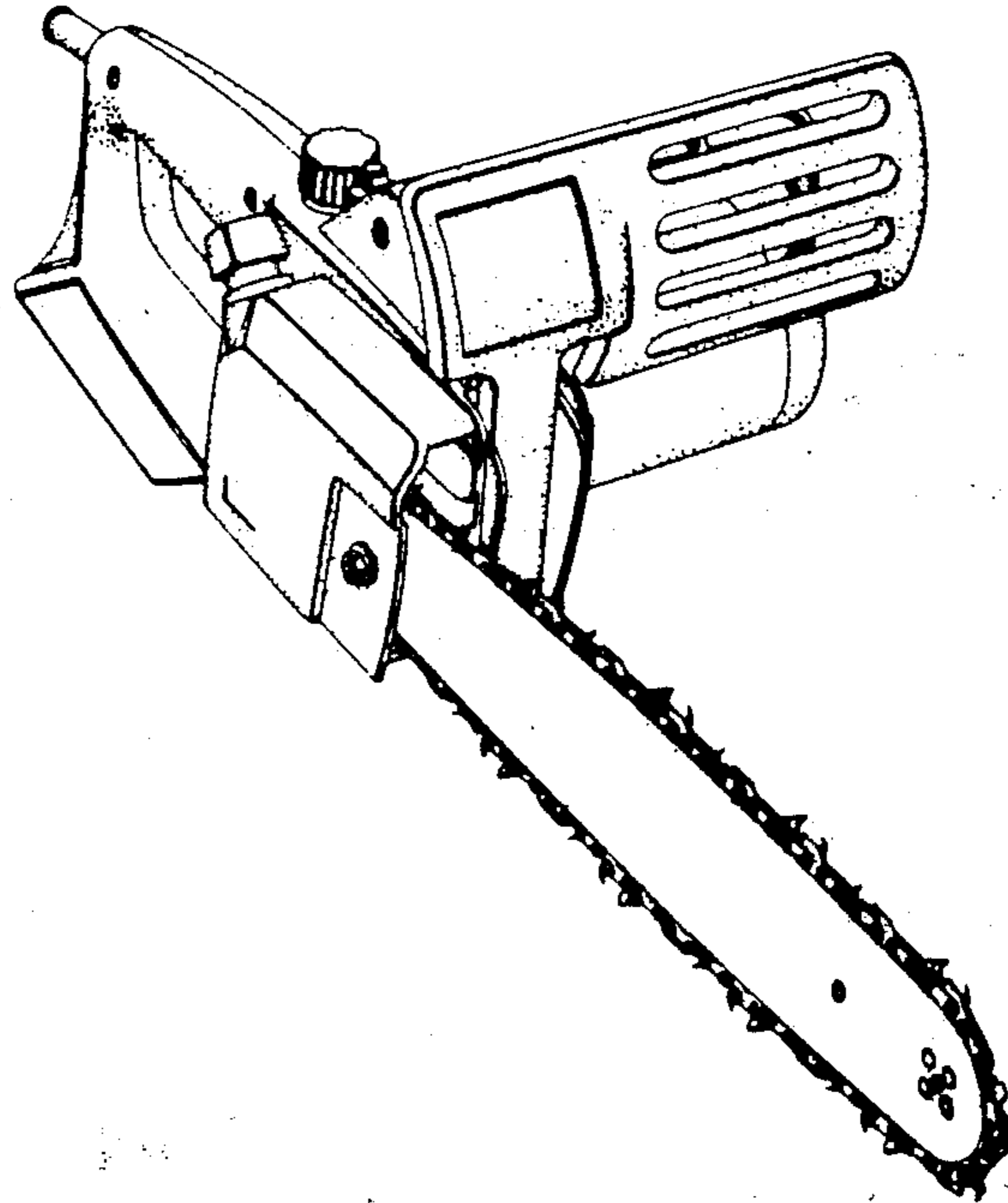


FIG. 5

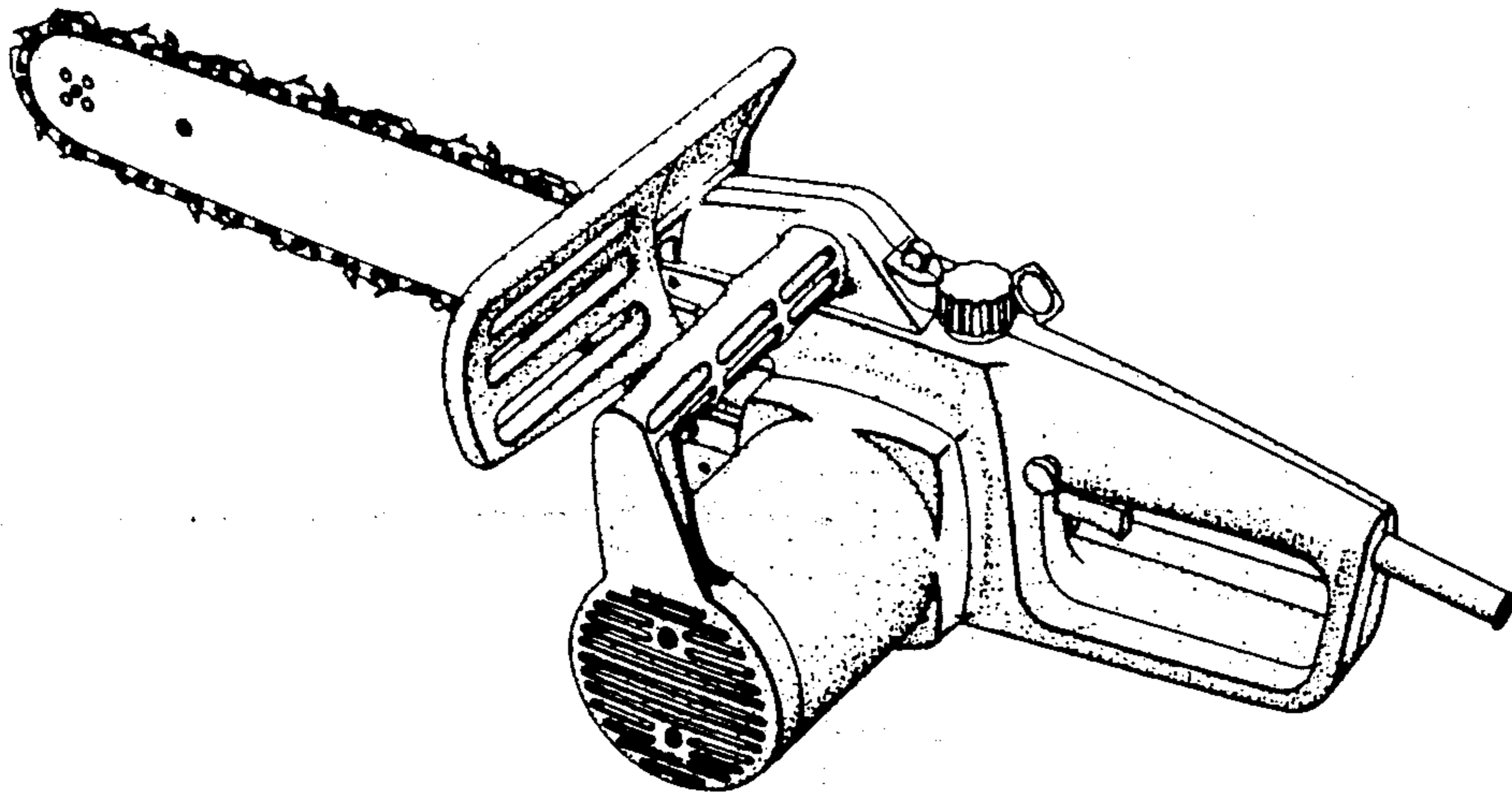


FIG.6

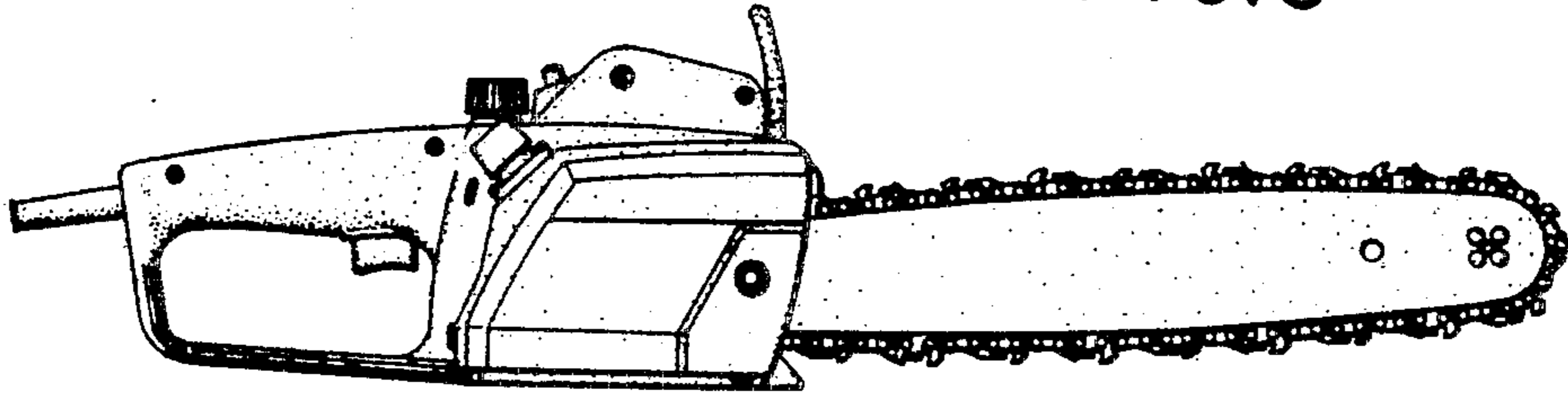


FIG.7

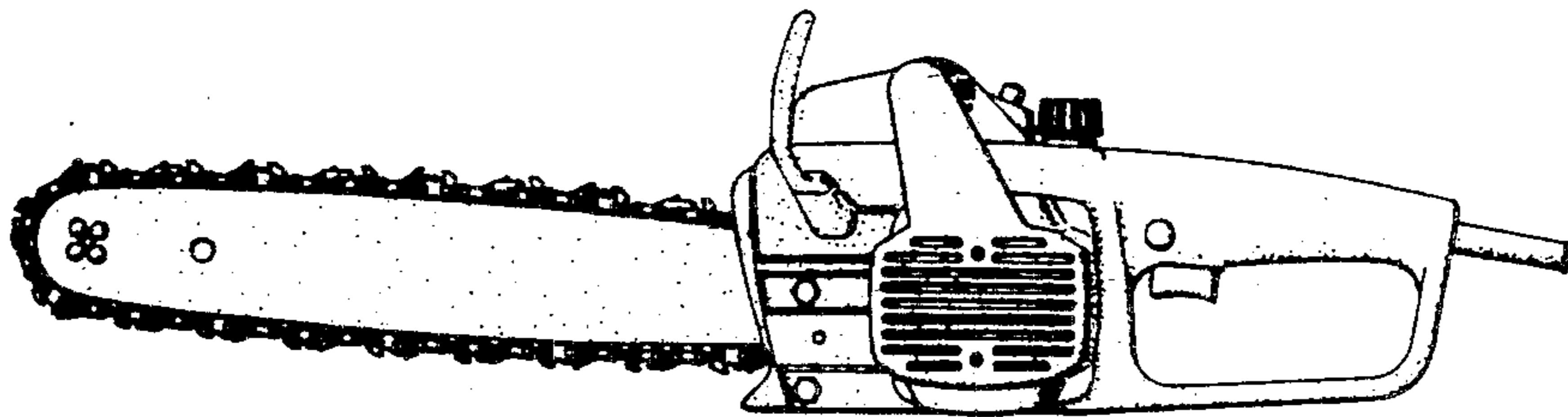


FIG.8

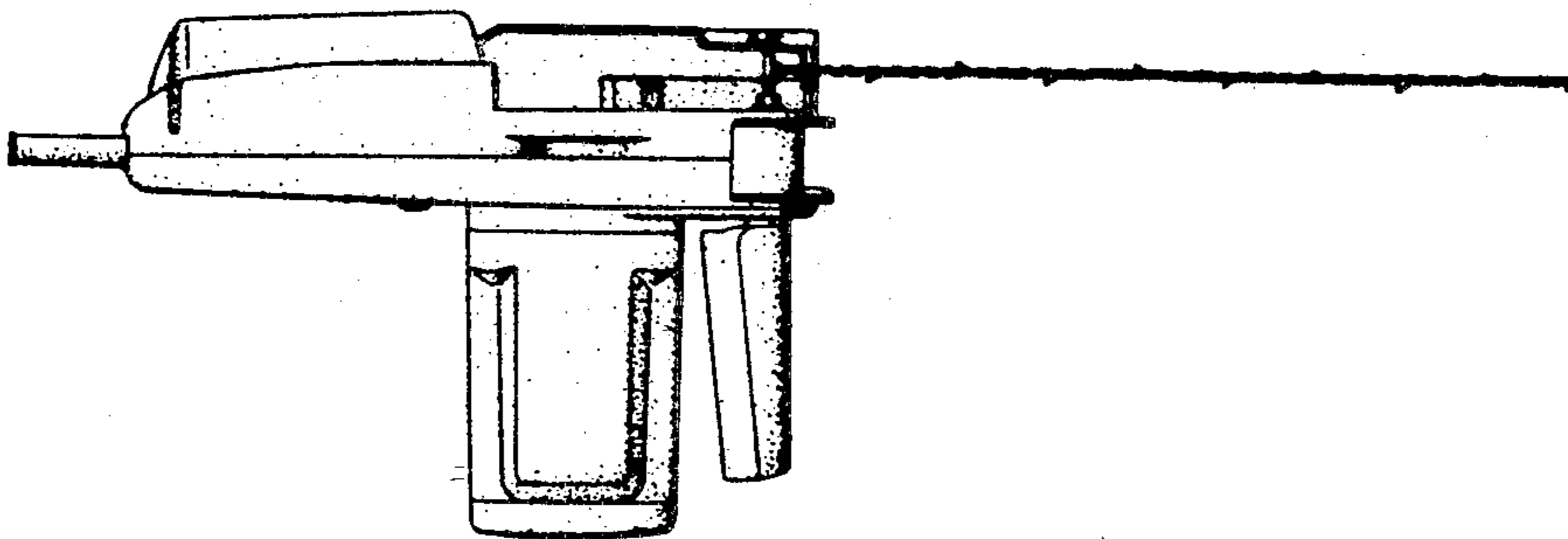


FIG. 9

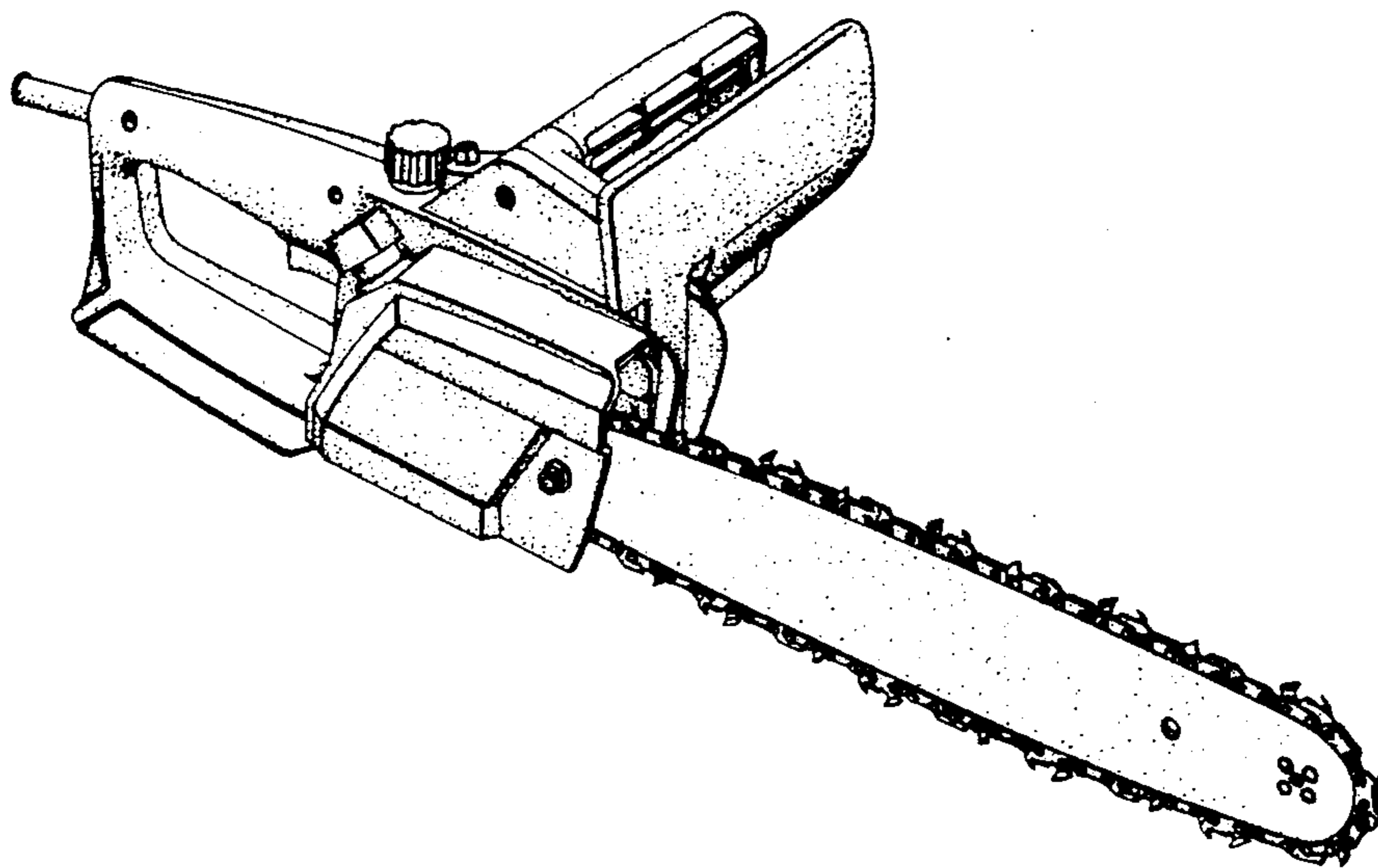


FIG. 10

