

[54] **WRENCH FOR RELEASING A VACUUM SEAL ON A WATER PUMP OR THE LIKE**

[76] **Inventor: Martin C. Epstein, 145 Third St., San Rafael, Calif. 94901**

[**] **Term: 14 Years**

[21] **Appl. No.: 655,764**

[22] **Filed: Oct. 1, 1984**

[52] **U.S. Cl. D8/17; D8/19**

[58] **Field of Search D8/17-29, D8/40; 81/121.1, 125.1, 177.1, 3.07, 3.55, 3.4, 99, 97, 98**

[56] **References Cited**

U.S. PATENT DOCUMENTS

D. 248,613	7/1978	Pace et al.	D8/17
D. 264,796	6/1982	Frick et al.	D8/17
D. 268,473	4/1983	Rust	D8/17
D. 282,046	1/1986	Dumond et al.	D8/17 X
1,529,075	3/1925	McIntyre	81/125.1

Primary Examiner—Susan J. Lucas
Assistant Examiner—C. E. Heflin
Attorney, Agent, or Firm—Manfred M. Warren; Robert B. Chickering; Glen R. Grunewald

[57] **CLAIM**

The ornamental design for a wrench for releasing a vacuum seal on a water pump or the like, as shown.

DESCRIPTION

FIG. 1 is a perspective view of a wrench for releasing a vacuum seal on a water pump or the like showing my new design;

FIG. 2 is an enlarged side elevational view thereof;

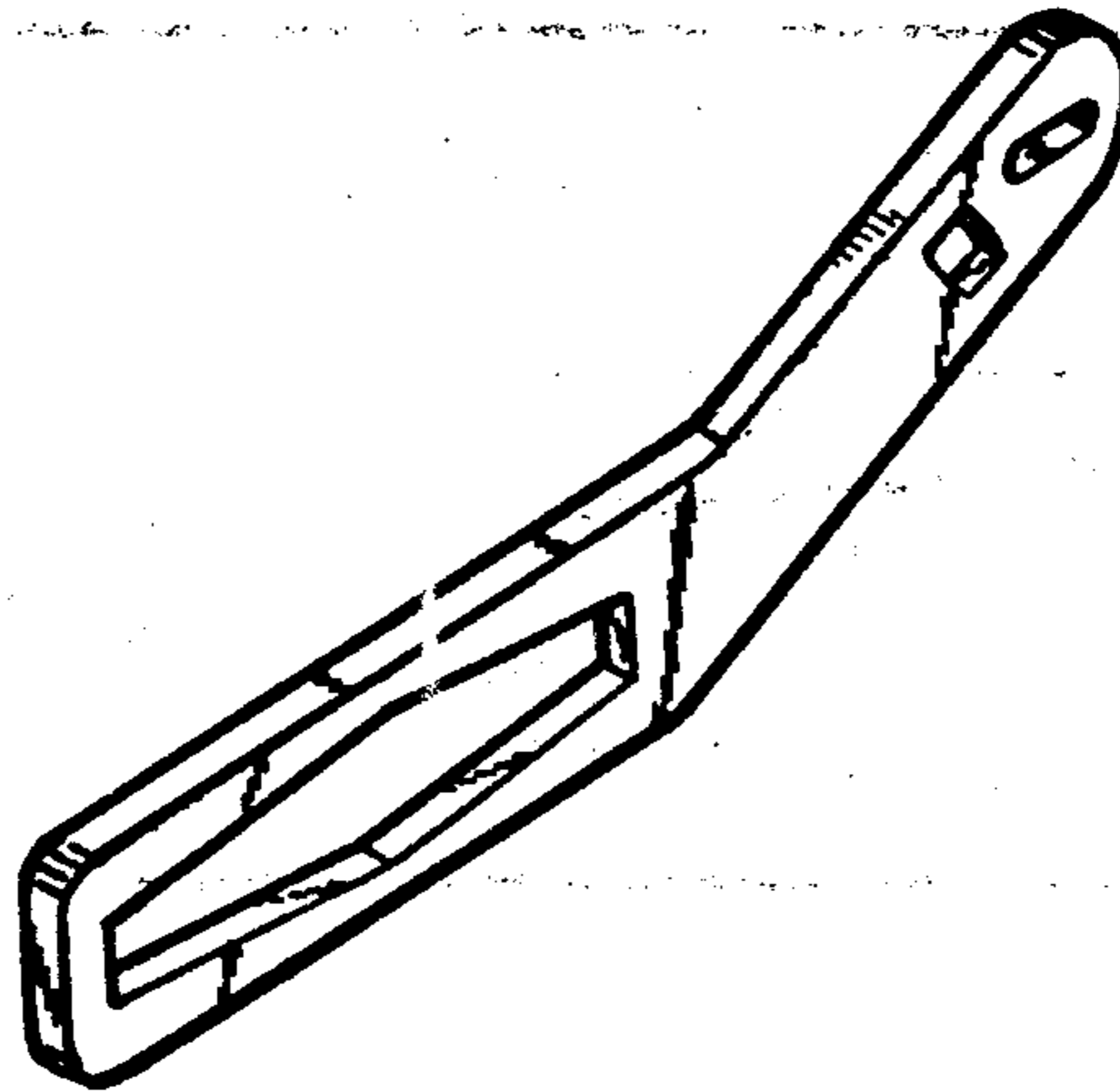
FIG. 3 is an enlarged bottom plan view thereof;

FIG. 4 is an enlarged opposite side elevational view thereof;

FIG. 5 is an enlarged top plan view thereof;

FIG. 6 is an enlarged end elevational view thereof; and

FIG. 7 is an enlarged opposite end elevational view thereof.



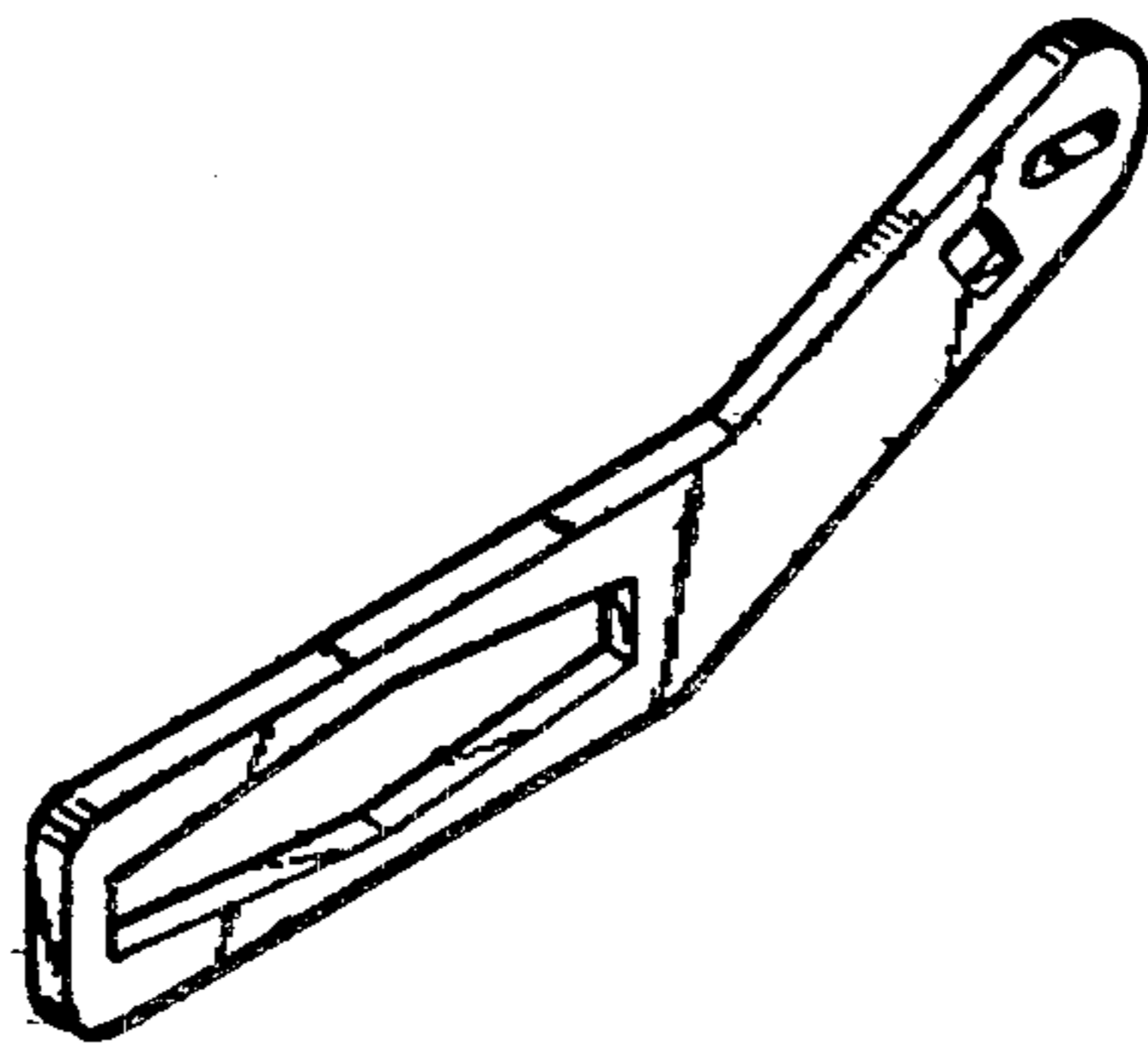


FIG. 1.

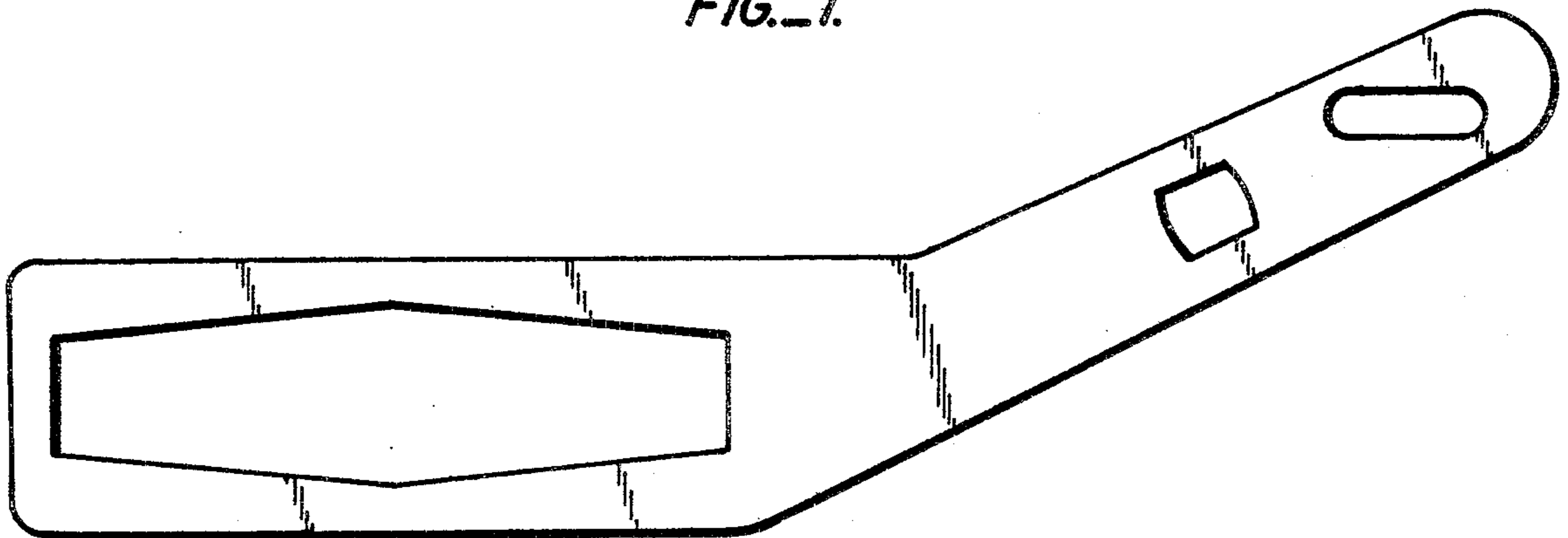


FIG. 2.



FIG. 3.

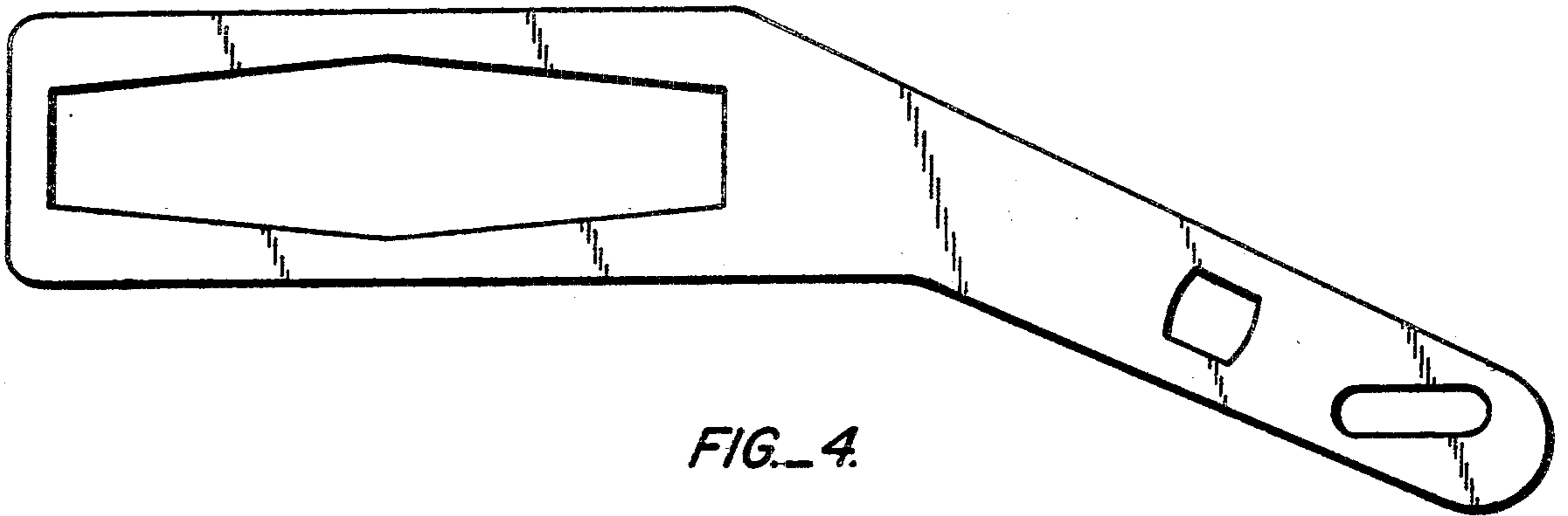


FIG. 4.



FIG. 5.



FIG. 6.



FIG. 7.